

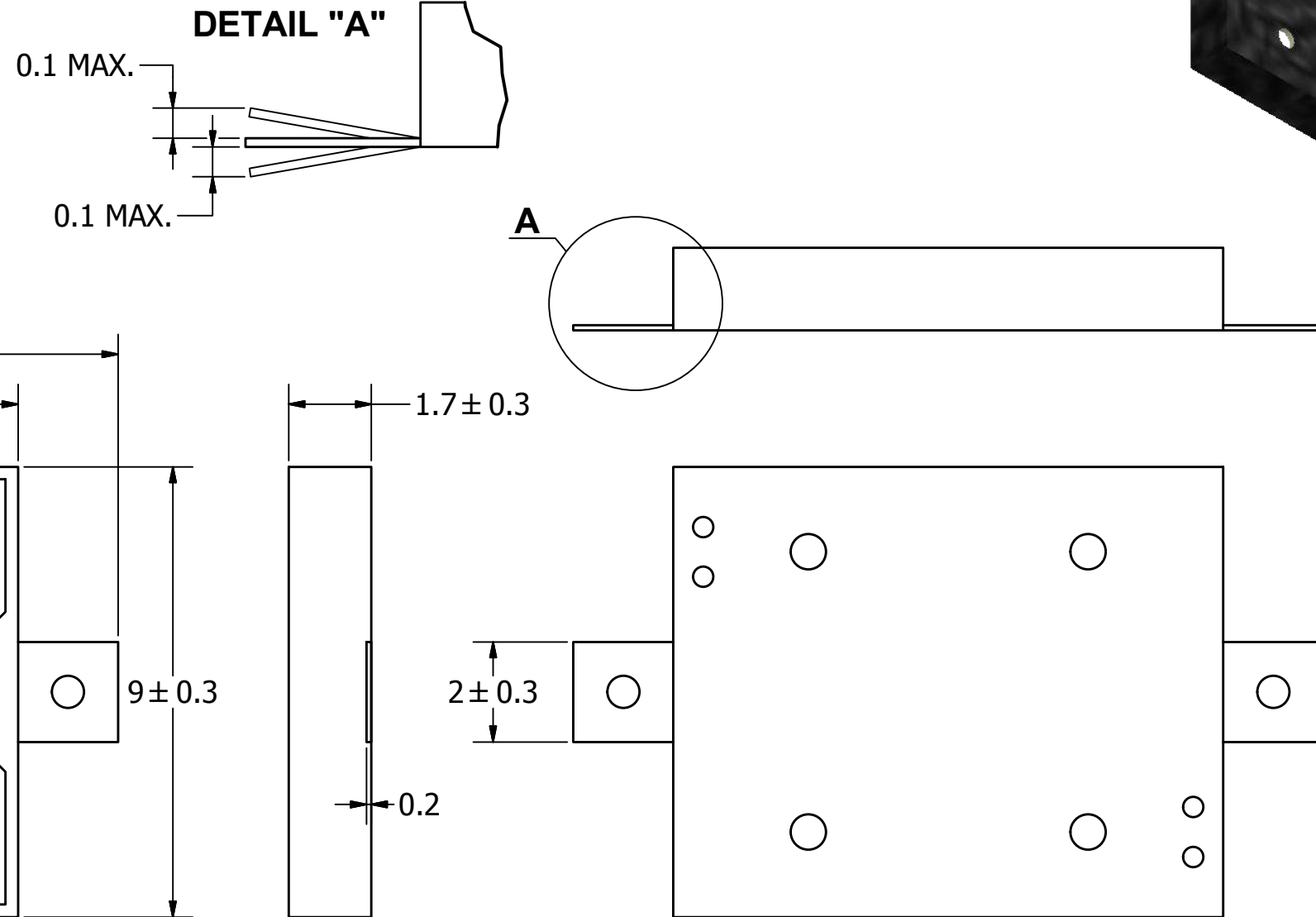
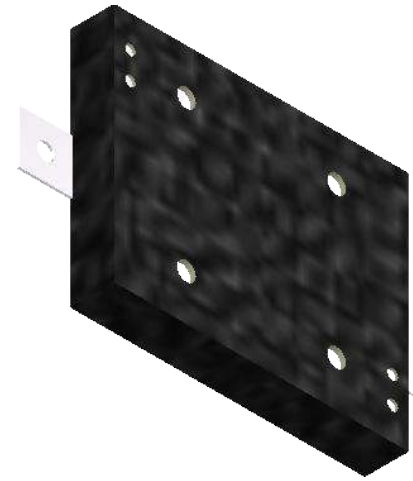
# SPECIFICATIONS

PARAMETERS	VALUES	UNIT
RATED VOLTAGE	5	Vp-p
OPERATING VOLTAGE RANGE	1 ~ 25	Vp-p
RATED CURRENT (MAX)	2.9	mA
CAPACITANCE	12,000 ± 30%	pF
MINIMUM SPL @ 10 CM	73	dB
RESONANT FREQUENCY	4,100 ± 500	Hz
OPERATING TEMPERATURE	-40 ~ +80	°C
STORAGE TEMPERATURE	-40 ~ +80	°C
HOUSING MATERIAL	LCP	-
TERMINAL MATERIAL	Sn PLATED BRASS	-
WEIGHT	0.3	grams

THIS DOCUMENT CONTAINS DATA PROPRIETARY TO PROJECTS UNLIMITED, INC. ANY USE OR REPRODUCTION, IN ANY FORM, WITHOUT PRIOR WRITTEN PERMISSION OF PROJECTS UNLIMITED, INC. IS PROHIBITED.  
©2003, Projects Unlimited Inc.


# REVISION HISTORY

LTR	DESCRIPTION	DATE	APPROVED
-	RELEASED FROM ENGINEERING	6/2/2016	
A	REVISED REEL DESIGN TO USE OPEN SQUARE POCKET WITH PART TURNED 90° STARTING WITH DATE CODE 17F	5/25/17	M.V.



## NOTES:

1. ALL DIMENSIONS ARE IN MILLIMETERS.
2. SPECIFICATIONS SUBJECT TO CHANGE OR WITHDRAWL WITHOUT NOTICE.
3. THIS PART IS RoHS 2011/65/EU COMPLIANT.
4. 260°C MAX. REFLOW TEMPERATURE, MAX 10sec.

UNLESS OTHERWISE SPECIFIED: DIMENSIONS ARE IN MILLIMETERS, TOLERANCES ARE ±0.5 AND ANGLES ARE ±3°.	SIZE <b>A3</b>	Designed by	Date	Checked by	Date	Approved by	Date	Drawn Date	
		J.A.F.	6/2/2016	B.R.	6/2/2016	R.W.	6/2/2016	6/2/2016	
SMT-1141-T-5-R.idw				<b>SMT-1141-T-5-R</b>					
		Transducer (Piezo)				Edition		Sheet	
						-		1 / 1	