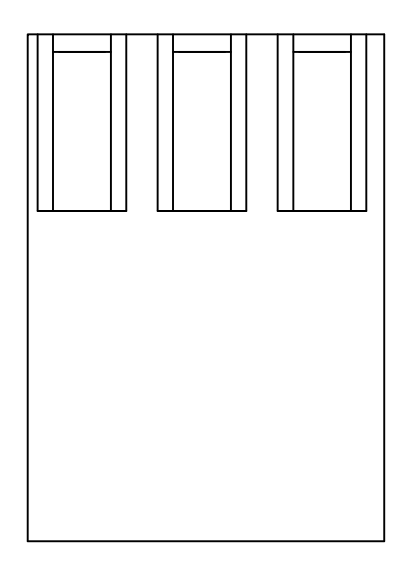
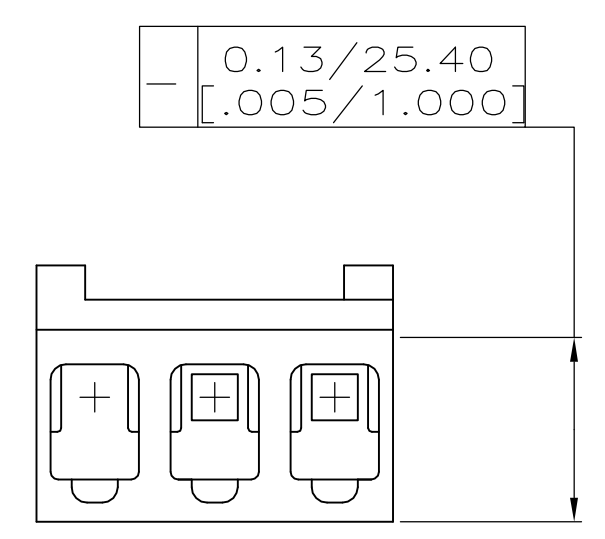
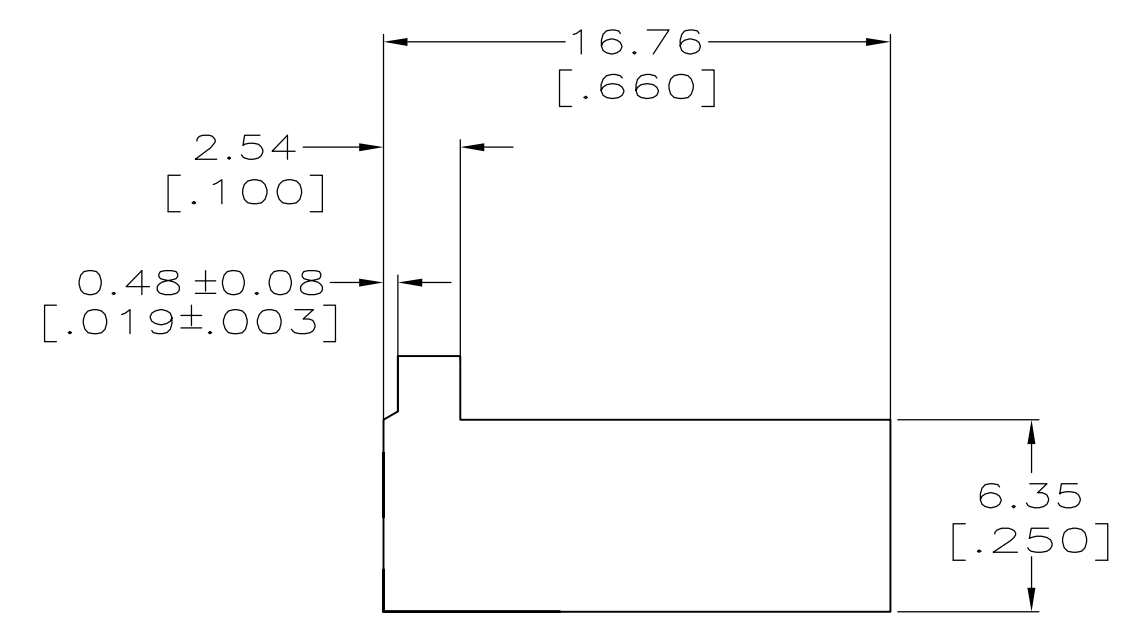
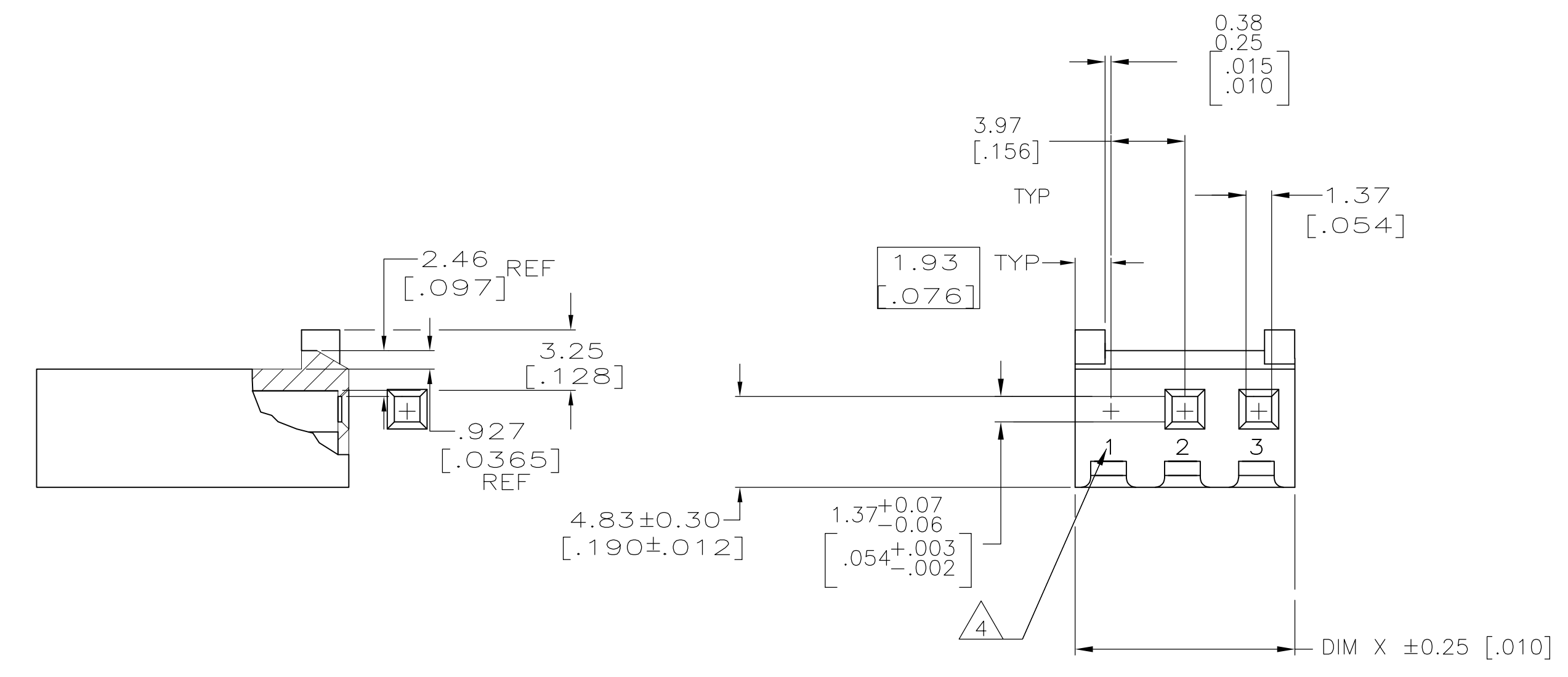
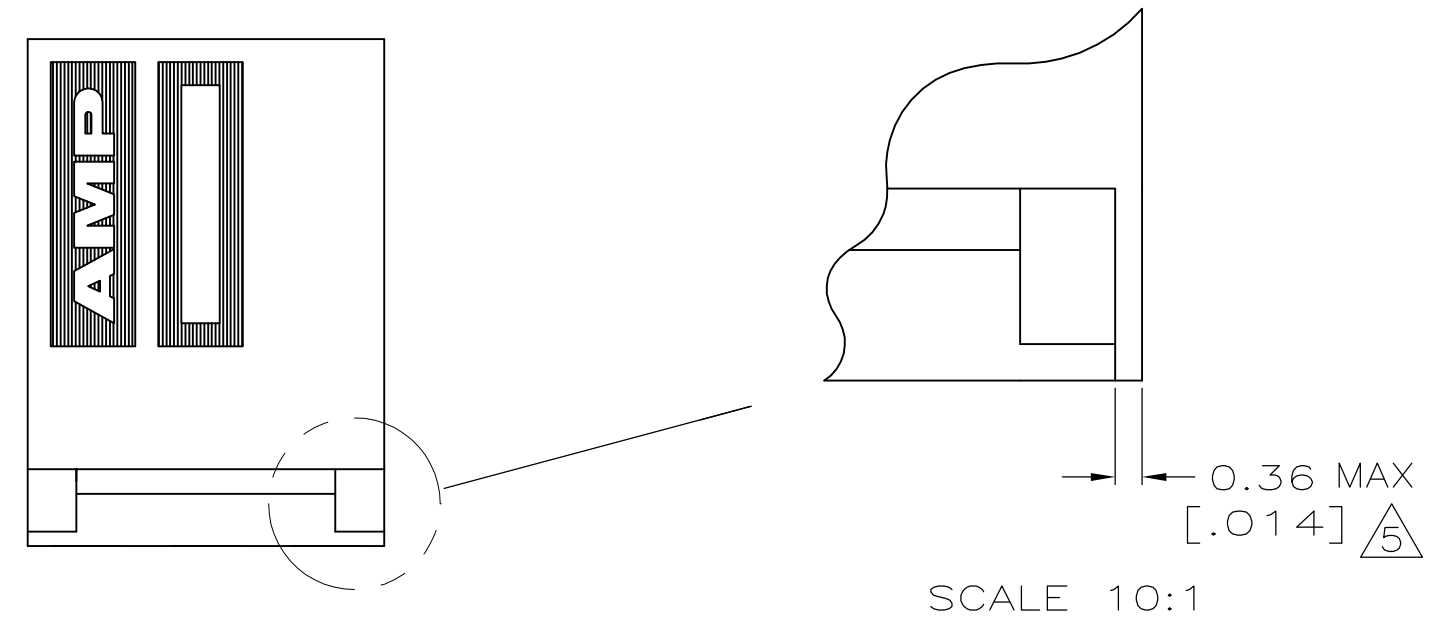


LOC		DIST		REVISIONS			
CM	0	REV	DATE	BY	CHK	APPV	
C		REVISED PER ECO-12-007810	27JUL12	KH	SM		

- 1 UNIT ACCEPTS 1.14[.045] SQUARE OR ROUND POST.
- 2 UNIT ACCEPTS STANDARD SL-156 CONTACTS.
- 3 UNIT ACCEPTS KEYING PLUG 640254-1 AND KEYING PIN 640255-1.
- 4 IDENTIFICATION NUMBER FOR ALL POSITIONS, OR FOR POSITION 1 ONLY, WILL BE LOCATED AS SHOWN.
- 5 OPTIONAL CONSTRUCTION, BOTH ENDS.
- 6 DIMENSIONS IN BRACKETS ARE IN INCHES.



SUPERSEDED

19.74 [.777]	5	2149087-5
11.80 [.465]	3	2149087-3
11.80 [.465]	3	2149087-1
DIM X	NO OF POSN	PART NUMBER

METRIC

DIMENSIONS:		TOLERANCES UNLESS OTHERWISE SPECIFIED:		APPROVED:		NAME:	
mm	[INCHES]	0 PLC	± -	D	HUMBERT	06AUG2010	TE Connectivity
		1 PLC	± -	CHK	J. FABY <td>06AUG2010</td> <td></td>	06AUG2010	
		2 PLC	± -	APVD	J. FABY <td>06AUG2010</td> <td></td>	06AUG2010	
		3 PLC	± 0.13 [.005]	PRODUCT SPEC			
		4 PLC	± -	APPLICATION SPEC			
		ANGLES	± -	SIZE			
MATERIAL	FINISH	WEIGHT		CUSTOMER DRAWING		SCALE	4:1
NYLON,UL 94V-0				A1 00779 C=2149087		SHEET	1 OF 1
				REV		C	