

**VSC8575-11 Datasheet**  
**Quad-Port 10/100/1000BASE-T PHY with Synchronous**  
**Ethernet, VeriTime™, and QSGMII/SGMII/RGMII MAC**



---

a  MICROCHIP company



a  MICROCHIP company

**Microsemi Headquarters**

One Enterprise, Aliso Viejo,  
CA 92656 USA

Within the USA: +1 (800) 713-4113

Outside the USA: +1 (949) 380-6100

Sales: +1 (949) 380-6136

Fax: +1 (949) 215-4996

Email: [sales.support@microsemi.com](mailto:sales.support@microsemi.com)

[www.microsemi.com](http://www.microsemi.com)

©2018 Microsemi, a wholly owned subsidiary of Microchip Technology Inc. All rights reserved. Microsemi and the Microsemi logo are registered trademarks of Microsemi Corporation. All other trademarks and service marks are the property of their respective owners.

Microsemi makes no warranty, representation, or guarantee regarding the information contained herein or the suitability of its products and services for any particular purpose, nor does Microsemi assume any liability whatsoever arising out of the application or use of any product or circuit. The products sold hereunder and any other products sold by Microsemi have been subject to limited testing and should not be used in conjunction with mission-critical equipment or applications. Any performance specifications are believed to be reliable but are not verified, and Buyer must conduct and complete all performance and other testing of the products, alone and together with, or installed in, any end-products. Buyer shall not rely on any data and performance specifications or parameters provided by Microsemi. It is the Buyer's responsibility to independently determine suitability of any products and to test and verify the same. The information provided by Microsemi hereunder is provided "as is, where is" and with all faults, and the entire risk associated with such information is entirely with the Buyer. Microsemi does not grant, explicitly or implicitly, to any party any patent rights, licenses, or any other IP rights, whether with regard to such information itself or anything described by such information. Information provided in this document is proprietary to Microsemi, and Microsemi reserves the right to make any changes to the information in this document or to any products and services at any time without notice.

**About Microsemi**

Microsemi, a wholly owned subsidiary of Microchip Technology Inc. (Nasdaq: MCHP), offers a comprehensive portfolio of semiconductor and system solutions for aerospace & defense, communications, data center and industrial markets. Products include high-performance and radiation-hardened analog mixed-signal integrated circuits, FPGAs, SoCs and ASICs; power management products; timing and synchronization devices and precise time solutions, setting the world's standard for time; voice processing devices; RF solutions; discrete components; enterprise storage and communication solutions, security technologies and scalable anti-tamper products; Ethernet solutions; Power-over-Ethernet ICs and midspans; as well as custom design capabilities and services. Learn more at [www.microsemi.com](http://www.microsemi.com).

# Contents

|          |   |          |
|----------|---|----------|
| <b>1</b> | <b>Revision History</b>                             | <b>1</b> |
| 1.1      | Revision 4.2  | 1        |
| 1.2      | Revision 4.1  | 1        |
| 1.3      | Revision 4.0  | 1        |
| 1.4      | Revision 2.0  | 2        |
| <b>2</b> | <b>Overview</b>                                     | <b>3</b> |
| 2.1      | Key Features  | 4        |
| 2.1.1    | Low Power   | 4        |
| 2.1.2    | Advanced Carrier Ethernet Support                   | 4        |
| 2.1.3    | Wide Range of Support                               | 4        |
| 2.1.4    | Flexibility   | 4        |
| 2.1.5    | IEEE 1588v2   | 4        |
| 2.2      | Block Diagram                                       | 5        |
| <b>3</b> | <b>Functional Descriptions</b>                      | <b>6</b> |
| 3.1      | Operating Modes                                     | 6        |
| 3.1.1    | QSGMII/SGMII MAC to 1000BASE-X Link Partner         | 6        |
| 3.1.2    | QSGMII/SGMII MAC to 100BASE-FX Link Partner         | 7        |
| 3.1.3    | QSGMII/SGMII MAC to AMS and 1000BASE-X Media SerDes | 8        |
| 3.1.4    | QSGMII/SGMII MAC to AMS and 100BASE-FX Media SerDes | 8        |
| 3.1.5    | QSGMII/SGMII MAC-to-AMS and Protocol Transfer Mode  | 9        |
| 3.1.6    | QSGMII/SGMII MAC to Cat5 Link Partner               | 10       |
| 3.1.7    | QSGMII/SGMII MAC-to-Protocol Transfer Mode          | 10       |
| 3.1.8    | 1000BASE-X MAC to Cat5 Link Partner                 | 11       |
| 3.2      | SerDes MAC Interface                                | 11       |
| 3.2.1    | 1000BASE-X MAC                                      | 11       |
| 3.2.2    | SGMII MAC   | 12       |
| 3.2.3    | QSGMII MAC  | 12       |
| 3.3      | SerDes Media Interface                              | 13       |
| 3.3.1    | QSGMII/SGMII to 1000BASE-X                          | 13       |
| 3.3.2    | QSGMII/SGMII to 100BASE-FX                          | 13       |
| 3.3.3    | QSGMII to SGMII Protocol Conversion                 | 13       |
| 3.3.4    | Unidirectional Transport for Fiber Media            | 14       |
| 3.4      | PHY Addressing and Port Mapping                     | 14       |
| 3.4.1    | PHY Addressing                                      | 14       |
| 3.4.2    | SerDes Port Mapping                                 | 14       |
| 3.5      | Cat5 Twisted Pair Media Interface                   | 14       |
| 3.5.1    | Voltage Mode Line Driver                            | 14       |
| 3.5.2    | Cat5 Autonegotiation and Parallel Detection         | 15       |
| 3.5.3    | Automatic Crossover and Polarity Detection          | 15       |
| 3.5.4    | Manual MDI/MDIX Setting                             | 16       |
| 3.5.5    | Link Speed Downshift                                | 16       |
| 3.5.6    | Energy Efficient Ethernet                           | 16       |
| 3.5.7    | Ring Resiliency                                     | 17       |
| 3.6      | Automatic Media Sense Interface Mode                | 17       |
| 3.7      | Reference Clock                                     | 18       |
| 3.7.1    | Configuring the Reference Clock                     | 18       |
| 3.7.2    | Single-Ended REFCLK Input                           | 18       |
| 3.7.3    | Differential REFCLK Input                           | 19       |
| 3.8      | IEEE 1588 Reference Clock                           | 19       |

|         |   |    |
|---------|---|----|
| 3.9     | Ethernet Inline Powered Devices .....                       | 19 |
| 3.10    | IEEE 802.3af PoE Support .....                              | 21 |
| 3.11    | ActiPHY Power Management .....                              | 21 |
| 3.11.1  | Low Power State .....                                       | 22 |
| 3.11.2  | Link Partner Wake-Up State .....                            | 22 |
| 3.11.3  | Normal Operating State .....                                | 22 |
| 3.12    | IEEE 1588 Block Operation .....                             | 22 |
| 3.12.1  | IEEE 1588 Block .....                                       | 23 |
| 3.12.2  | IEEE 1588 One-Step E2E TC in Systems .....                  | 25 |
| 3.12.3  | IEEE 1588 TC and BC in Systems .....                        | 25 |
| 3.12.4  | Enhancing IEEE 1588 Accuracy for CE Switches and MACs ..... | 26 |
| 3.12.5  | Supporting One-Step Boundary Clock/Ordinary Clock .....     | 26 |
| 3.12.6  | Supporting Two- Step Boundary/Ordinary Clock .....          | 28 |
| 3.12.7  | Supporting One-Step End-to-End Transparent Clock .....      | 30 |
| 3.12.8  | Supporting One-Step Peer-to-Peer Transparent Clock .....    | 33 |
| 3.12.9  | Supporting Two-Step Transparent Clock .....                 | 37 |
| 3.12.10 | Calculating OAM Delay Measurements .....                    | 39 |
| 3.12.11 | Supporting Y.1731 One-Way Delay Measurements .....          | 39 |
| 3.12.12 | Supporting Y.1731 Two-Way Delay Measurements .....          | 41 |
| 3.12.13 | Device Synchronization for IEEE 1588 Support .....          | 43 |
| 3.12.14 | Time Stamp Update Block .....                               | 44 |
| 3.12.15 | Analyzer .....  | 47 |
| 3.12.16 | Time Stamp Processor .....                                  | 68 |
| 3.12.17 | Time Stamp FIFO .....                                       | 69 |
| 3.12.18 | Serial Time Stamp Output Interface .....                    | 70 |
| 3.12.19 | Rewriter .....  | 71 |
| 3.12.20 | Local Time Counter .....                                    | 72 |
| 3.12.21 | Serial Time of Day .....                                    | 74 |
| 3.12.22 | Programmable Offset for LTC Load Register .....             | 76 |
| 3.12.23 | Adjustment of LTC counter .....                             | 76 |
| 3.12.24 | Pulse per Second Output .....                               | 77 |
| 3.12.25 | Accuracy and Resolution .....                               | 78 |
| 3.12.26 | Loopbacks .....   | 78 |
| 3.12.27 | IEEE 1588 Register Access using SMI (MDC/MDIO) .....        | 78 |
| 3.12.28 | 1588_DIFF_INPUT_CLK Configuration .....                     | 79 |
| 3.13    | Daisy-Chained SPI Time Stamping .....                       | 79 |
| 3.14    | SPI I/O Register Access .....                               | 79 |
| 3.15    | Media Recovered Clock Outputs .....                         | 80 |
| 3.15.1  | Clock Selection Settings .....                              | 81 |
| 3.15.2  | Clock Output Squelch .....                                  | 81 |
| 3.16    | Serial Management Interface .....                           | 81 |
| 3.16.1  | SMI Frames .....  | 82 |
| 3.16.2  | SMI Interrupt .....   | 82 |
| 3.17    | LED Interface .....   | 83 |
| 3.17.1  | LED Modes .....   | 83 |
| 3.17.2  | Extended LED Modes .....                                    | 85 |
| 3.17.3  | LED Behavior .....  | 85 |
| 3.17.4  | Basic Serial LED Mode .....                                 | 86 |
| 3.17.5  | Enhanced Serial LED Mode .....                              | 87 |
| 3.17.6  | LED Port Swapping .....                                     | 87 |
| 3.18    | Fast Link Failure Indication .....                          | 87 |
| 3.19    | Integrated Two-Wire Serial Multiplexer .....                | 87 |
| 3.19.1  | Read/Write Access Using the Two-Wire Serial MUX .....       | 88 |
| 3.20    | GPIO Pins .....   | 89 |
| 3.21    | Testing Features .....                                      | 90 |
| 3.21.1  | Ethernet Packet Generator .....                             | 90 |

|          |   |            |
|----------|---|------------|
| 3.21.2   | CRC Counters                                    | 90         |
| 3.21.3   | Loopbacks                                       | 91         |
| 3.21.4   | VeriPHY Cable Diagnostics                       | 95         |
| 3.21.5   | JTAG Boundary Scan                              | 96         |
| 3.21.6   | JTAG Instruction Codes                          | 96         |
| 3.21.7   | Boundary Scan Register Cell Order               | 98         |
| 3.22     | 100BASE-FX Far-End Fault Indication (FEFI)      | 98         |
| 3.22.1   | 100BASE-FX Halt Code Transmission and Reception | 98         |
| 3.23     | Configuration                                   | 98         |
| 3.23.1   | Initialization                                  | 99         |
| <b>4</b> | <b>Registers</b>                                | <b>100</b> |
| 4.1      | Register and Bit Conventions                    | 100        |
| 4.2      | IEEE 802.3 and Main Registers                   | 101        |
| 4.2.1    | Mode Control                                    | 102        |
| 4.2.2    | Mode Status                                     | 103        |
| 4.2.3    | Device Identification                           | 104        |
| 4.2.4    | Autonegotiation Advertisement                   | 104        |
| 4.2.5    | Link Partner Autonegotiation Capability         | 105        |
| 4.2.6    | Autonegotiation Expansion                       | 105        |
| 4.2.7    | Transmit Autonegotiation Next Page              | 106        |
| 4.2.8    | Autonegotiation Link Partner Next Page Receive  | 106        |
| 4.2.9    | 1000BASE-T/X Control                            | 106        |
| 4.2.10   | 1000BASE-T Status                               | 107        |
| 4.2.11   | MMD Access Control Register                     | 108        |
| 4.2.12   | MMD Address or Data Register                    | 108        |
| 4.2.13   | 1000BASE-T Status Extension 1                   | 108        |
| 4.2.14   | 100BASE-TX/FX Status Extension                  | 108        |
| 4.2.15   | 1000BASE-T Status Extension 2                   | 109        |
| 4.2.16   | Bypass Control                                  | 110        |
| 4.2.17   | Error Counter 1                                 | 111        |
| 4.2.18   | Error Counter 2                                 | 111        |
| 4.2.19   | Error Counter 3                                 | 111        |
| 4.2.20   | Extended Control and Status                     | 111        |
| 4.2.21   | Extended PHY Control Set 1                      | 112        |
| 4.2.22   | Extended PHY Control Set 2                      | 113        |
| 4.2.23   | Interrupt Mask                                  | 114        |
| 4.2.24   | Interrupt Status                                | 115        |
| 4.2.25   | Device Auxiliary Control and Status             | 115        |
| 4.2.26   | LED Mode Select                                 | 116        |
| 4.2.27   | LED Behavior                                    | 117        |
| 4.2.28   | Extended Page Access                            | 118        |
| 4.3      | Extended Page 1 Registers                       | 118        |
| 4.3.1    | SerDes Media Control                            | 119        |
| 4.3.2    | Cu Media CRC Good Counter                       | 120        |
| 4.3.3    | Extended Mode Control                           | 120        |
| 4.3.4    | ActiPHY Control                                 | 121        |
| 4.3.5    | PoE and Miscellaneous Functionality             | 122        |
| 4.3.6    | Ethernet Packet Generator Control 1             | 122        |
| 4.3.7    | Ethernet Packet Generator Control 2             | 123        |
| 4.4      | Extended Page 2 Registers                       | 123        |
| 4.4.1    | Cu PMD Transmit Control                         | 124        |
| 4.4.2    | EEE Control                                     | 126        |
| 4.4.3    | Extended Chip ID, Address 18E2 (0x12)           | 127        |
| 4.4.4    | Entropy Data, Address 19E2 (0x13)               | 127        |
| 4.4.5    | Extended Interrupt Mask, Address 28E2 (0x1C)    | 127        |
| 4.4.6    | Extended Interrupt Status, Address 29E2 (0x1D)  | 128        |

|          |  |            |
|----------|--|------------|
| 4.4.7    | Ring Resiliency Control (0x1E)                                       | 128        |
| 4.5      | Extended Page 3 Registers  | 129        |
| 4.5.1    | MAC SerDes PCS Control   | 129        |
| 4.5.2    | MAC SerDes PCS Status  | 130        |
| 4.5.3    | MAC SerDes Clause 37 Advertised Ability                              | 131        |
| 4.5.4    | MAC SerDes Clause 37 Link Partner Ability                            | 131        |
| 4.5.5    | MAC SerDes Status  | 132        |
| 4.5.6    | Media/MAC SerDes Transmit Good Packet Counter                        | 132        |
| 4.5.7    | Media/MAC SerDes Transmit CRC Error Counter                          | 132        |
| 4.5.8    | Media SerDes PCS Control   | 133        |
| 4.5.9    | Media SerDes PCS Status  | 134        |
| 4.5.10   | Media SerDes Clause 37 Advertised Ability                            | 135        |
| 4.5.11   | Media SerDes Clause 37 Link Partner Ability                          | 135        |
| 4.5.12   | Media SerDes Status  | 135        |
| 4.5.13   | Media/MAC SerDes Receive CRC Good Counter                            | 136        |
| 4.5.14   | Media/MAC SerDes Receive CRC Error Counter                           | 136        |
| 4.6      | Extended Page 4 Registers  | 136        |
| 4.6.1    | CSR Access Controls and Status                                       | 137        |
| 4.6.2    | 1588_PPS_0/1 Mux Control   | 138        |
| 4.6.3    | SPI Daisy-Chain Controls and Status                                  | 138        |
| 4.7      | General Purpose Registers  | 139        |
| 4.7.1    | Reserved General Purpose Address Space                               | 140        |
| 4.7.2    | LED/SIGDET/GPIO Control  | 140        |
| 4.7.3    | GPIO Control 2   | 141        |
| 4.7.4    | GPIO Input   | 142        |
| 4.7.5    | GPIO Output  | 143        |
| 4.7.6    | GPIO Pin Configuration   | 143        |
| 4.7.7    | Microprocessor Command   | 144        |
| 4.7.8    | MAC Configuration and Fast Link                                      | 144        |
| 4.7.9    | Two-Wire Serial MUX Control 1  | 145        |
| 4.7.10   | Two-Wire Serial MUX Control 2  | 145        |
| 4.7.11   | Two-Wire Serial MUX Data Read/Write                                  | 146        |
| 4.7.12   | Recovered Clock 1 Control  | 146        |
| 4.7.13   | Recovered Clock 2 Control  | 147        |
| 4.7.14   | Enhanced LED Control   | 148        |
| 4.7.15   | Global Interrupt Status  | 149        |
| 4.8      | Clause 45 Registers to Support Energy Efficient Ethernet and 802.3bf | 150        |
| 4.8.1    | PMA/PMD Status 1   | 151        |
| 4.8.2    | PCS Status 1   | 151        |
| 4.8.3    | EEE Capability   | 151        |
| 4.8.4    | EEE Wake Error Counter   | 151        |
| 4.8.5    | EEE Advertisement  | 152        |
| 4.8.6    | EEE Link Partner Advertisement                                       | 152        |
| <b>5</b> | <b>Electrical Specifications</b>                                     | <b>154</b> |
| 5.1      | DC Characteristics   | 154        |
| 5.1.1    | VDD25 and VDDMDIO (2.5 V)  | 154        |
| 5.1.2    | VDDMDIO (1.2 V)  | 154        |
| 5.1.3    | Supply Voltage   | 155        |
| 5.1.4    | LED and GPIO   | 155        |
| 5.1.5    | Internal Pull-Up or Pull-Down Resistors                              | 155        |
| 5.1.6    | Reference Clock  | 156        |
| 5.1.7    | 1588 Reference Clock   | 156        |
| 5.1.8    | SerDes Interface (SGMII)   | 156        |
| 5.1.9    | Enhanced SerDes Interface (QSGMII)                                   | 158        |
| 5.1.10   | Current Consumption  | 159        |
| 5.1.11   | Thermal Diode  | 160        |

|          |  |            |
|----------|--|------------|
| 5.2      | AC Characteristics   | 161        |
| 5.2.1    | Reference Clock  | 161        |
| 5.2.2    | Recovered Clock  | 162        |
| 5.2.3    | SerDes Outputs   | 163        |
| 5.2.4    | SerDes Driver Jitter   | 163        |
| 5.2.5    | SerDes Inputs  | 164        |
| 5.2.6    | SerDes Receiver Jitter Tolerance   | 164        |
| 5.2.7    | Enhanced SerDes Interface  | 164        |
| 5.2.8    | Basic Serial LEDs  | 167        |
| 5.2.9    | Enhanced Serial LEDs   | 167        |
| 5.2.10   | Serial CPU Interface (SI) for Slave Mode   | 168        |
| 5.2.11   | JTAG Interface   | 169        |
| 5.2.12   | Serial Management Interface  | 171        |
| 5.2.13   | Reset Timing   | 172        |
| 5.2.14   | IEEE 1588 Timing Specifications  | 172        |
| 5.2.15   | Serial Timestamp Interface   | 172        |
| 5.2.16   | Local Time Counter Load/Save Timing  | 173        |
| 5.2.17   | Daisy-Chained SPI Timestamping Inputs  | 173        |
| 5.3      | Operating Conditions   | 174        |
| 5.4      | Stress Ratings   | 175        |
| <b>6</b> | <b>Pin Descriptions</b>  | <b>176</b> |
| 6.1      | Pin Identifications  | 176        |
| 6.2      | Pin Diagram  | 176        |
| 6.3      | Pins by Function   | 178        |
| 6.3.1    | 1588 Support   | 178        |
| 6.3.2    | 1588 Support and GPIO  | 179        |
| 6.3.3    | GPIO and Two-Wire Serial   | 179        |
| 6.3.4    | JTAG   | 180        |
| 6.3.5    | Miscellaneous  | 180        |
| 6.3.6    | Power Supply and Ground  | 181        |
| 6.3.7    | SerDes MAC Interface   | 182        |
| 6.3.8    | SerDes Media Interface   | 182        |
| 6.3.9    | Serial Management Interface  | 183        |
| 6.3.10   | SIGDET/GPIO  | 183        |
| 6.3.11   | SPI Interface  | 183        |
| 6.3.12   | Twisted Pair Interface   | 184        |
| <b>7</b> | <b>Package Information</b>   | <b>185</b> |
| 7.1      | Package Drawing  | 185        |
| 7.2      | Thermal Specifications   | 186        |
| 7.3      | Moisture Sensitivity   | 187        |
| <b>8</b> | <b>Design Considerations</b>   | <b>188</b> |
| 8.1      | Clause 45 register address post-increment  | 188        |
| 8.2      | Clause 45, register 7.60   | 188        |
| 8.3      | 10BASE-T signal amplitude  | 188        |
| 8.4      | 10BASE-T Half-Duplex linkup after initial reset from power up                        | 188        |
| 8.5      | Link performance in 100BASE-TX and 1000BASE-T modes                                  | 188        |
| 8.6      | Clause 36 PCS incompatibilities in 1000BASE-X media mode                             | 188        |
| 8.7      | 1000BASE-X parallel detect mode with Clause 37 auto-negotiation enabled              | 189        |
| 8.8      | Near-end loopback non-functional in protocol transfer mode                           | 189        |
| 8.9      | LED Duplex/Collision function not working when in protocol transfer mode 10/100 Mbps | 189        |
| 8.10     | Fast Link Failover indication delay when using interrupts                            | 189        |
| 8.11     | Anomalous Fast Link Failure indication in 1000BT Energy Efficient Ethernet mode      | 189        |

|          |   |            |
|----------|---|------------|
| 8.12     | Anomalous PCS error indications in Energy Efficient Ethernet mode           | 189        |
| 8.13     | EEE allowed only for MACs supporting IEEE 802.3az-2010 in 1588 applications | 189        |
| 8.14     | Auto-Negotiation Management Register Test failures                          | 190        |
| 8.15     | 1588 bypass switch may drop packets   | 190        |
| 8.16     | 1588 bypass shall be enabled during engine reconfiguration                  | 190        |
| 8.17     | Time stamp errors due to IEEE 1588 reference clock interruption             | 190        |
| 8.18     | Soft power-down procedure   | 190        |
| <b>9</b> | <b>Ordering Information</b>   | <b>191</b> |



# Figures

|           |   |    |
|-----------|---|----|
| Figure 1  | Dual Media Application Diagram                        | 3  |
| Figure 2  | Copper Transceiver Application Diagram                | 3  |
| Figure 3  | Fiber Media Transceiver Application Diagram           | 4  |
| Figure 4  | Block Diagram   | 5  |
| Figure 5  | SGMII MAC to 1000BASE-X Link Partner                  | 6  |
| Figure 6  | QSGMII MAC to 1000BASE-X Link Partner                 | 7  |
| Figure 7  | QSGMII/SGMII MAC to 100BASE-FX Link Partner           | 7  |
| Figure 8  | QSGMII/SGMII MAC to AMS and 1000BASE-X Media SerDes   | 8  |
| Figure 9  | QSGMII/SGMII MAC to AMS and 100BASE-FX Media SerDes   | 9  |
| Figure 10 | QSGMII/SGMII MAC-to-AMS and Protocol Transfer Mode    | 9  |
| Figure 11 | QSGMII/SGMII MAC to Cat5 Link Partner                 | 10 |
| Figure 12 | QSGMII/SGMII MAC to Protocol Transfer Mode            | 10 |
| Figure 13 | 1000BASE-X MAC to Cat5 Link Partner                   | 11 |
| Figure 14 | SerDes MAC Interface                                  | 12 |
| Figure 15 | SGMII MAC Interface                                   | 12 |
| Figure 16 | QSGMII MAC Interface                                  | 13 |
| Figure 17 | Cat5 Media Interface                                  | 15 |
| Figure 18 | Low Power Idle Operation                              | 16 |
| Figure 19 | Automatic Media Sense Block Diagram                   | 17 |
| Figure 20 | 2.5 V CMOS Single-Ended REFCLK Input Resistor Network | 18 |
| Figure 21 | 3.3 V CMOS Single-Ended REFCLK Input Resistor Network | 19 |
| Figure 22 | 5 V CMOS Single-Ended REFCLK Input Resistor Network   | 19 |
| Figure 23 | AC Coupling for REFCLK Input                          | 19 |
| Figure 24 | Inline Powered Ethernet Switch Diagram                | 20 |
| Figure 25 | ActiPHY State Diagram                                 | 21 |
| Figure 26 | IEEE 1588 Architecture                                | 23 |
| Figure 27 | IEEE 1588 Block Diagram                               | 24 |
| Figure 28 | TC and BC Linecard Application                        | 25 |
| Figure 29 | One-Step E2E BC                                       | 27 |
| Figure 30 | Two-Step E2E BC                                       | 29 |
| Figure 31 | One-Step E2E TC Mode A                                | 31 |
| Figure 32 | One-Step E2E TC Mode B                                | 32 |
| Figure 33 | Delay Measurements                                    | 34 |
| Figure 34 | One-Step P2P TC Mode B                                | 37 |
| Figure 35 | Two-Step E2E TC                                       | 38 |
| Figure 36 | Y.1731 1DM PDU Format                                 | 39 |
| Figure 37 | Y.1731 One-Way Delay                                  | 40 |
| Figure 38 | Y.1731 DMM PDU Format                                 | 41 |
| Figure 39 | Y.1731 Two-Way Delay                                  | 42 |
| Figure 40 | RFC6374 DMM/DMR OAM PDU Format                        | 43 |
| Figure 41 | Draft-bhh DMM/DMR/1DM OAM PDU Formats                 | 43 |
| Figure 42 | PTP Packet Encapsulations                             | 45 |
| Figure 43 | OAM Packet Encapsulations                             | 45 |
| Figure 44 | TSU Block Diagram                                     | 46 |
| Figure 45 | Analyzer Block Diagram                                | 47 |
| Figure 46 | Type II Ethernet Basic Frame Format                   | 50 |
| Figure 47 | Ethernet Frame with SNAP                              | 50 |
| Figure 48 | Ethernet Frame with VLAN Tag and SNAP                 | 50 |
| Figure 49 | Ethernet Frame with VLAN Tags and SNAP                | 50 |
| Figure 50 | PBB Ethernet Frame Format (No B-Tag)                  | 50 |
| Figure 51 | PBB Ethernet Frame Format (1 B-Tag)                   | 50 |
| Figure 52 | MPLS Label Format                                     | 53 |
| Figure 53 | MPLS Label Stack within an Ethernet Frame             | 53 |
| Figure 54 | MPLS Labels and Control Word                          | 54 |

|            |   |     |
|------------|---|-----|
| Figure 55  | IPv4 with UDP                                       | 56  |
| Figure 56  | IPv6 with UDP                                       | 56  |
| Figure 57  | ACH Header Format                                   | 57  |
| Figure 58  | ACH Header with Protocol ID Field                   | 57  |
| Figure 59  | IPSec Header Format                                 | 57  |
| Figure 60  | IPv6 with UDP and IPSec                             | 58  |
| Figure 61  | PTP Frame Layout                                    | 61  |
| Figure 62  | OAM 1DM Frame Header Format                         | 61  |
| Figure 63  | OAM DMM Frame Header Format                         | 62  |
| Figure 64  | OAM DMR Frame Header Format                         | 62  |
| Figure 65  | RFC6374 DMM/DMR OAM PDU Format                      | 62  |
| Figure 66  | G8113.1/draft-bhh DMM/DMR/1DM OAM PDU Format        | 63  |
| Figure 67  | Serial Time Stamp/Frame Signature Output            | 71  |
| Figure 68  | Preamble Reduction in Rewriter                      | 72  |
| Figure 69  | Local Time Counter Load/Save Timing                 | 73  |
| Figure 70  | Standard PPS and 1PPS with TOD Timing Relationship  | 74  |
| Figure 71  | ToD Octet Waveform                                  | 75  |
| Figure 72  | SPI Time Stamping Format                            | 79  |
| Figure 73  | SPI Write Cycles                                    | 80  |
| Figure 74  | SPI Read Cycle                                      | 80  |
| Figure 75  | SMI Read Frame                                      | 82  |
| Figure 76  | SMI Write Frame                                     | 82  |
| Figure 77  | MDINT Configured as an Open-Drain (Active-Low) Pin  | 83  |
| Figure 78  | Two-Wire Serial MUX with SFP Control and Status     | 88  |
| Figure 79  | Two-Wire Serial MUX Read and Write Register Flow    | 89  |
| Figure 80  | Far-End Loopback Diagram                            | 91  |
| Figure 81  | Near-End Loopback Diagram                           | 92  |
| Figure 82  | Connector Loopback Diagram                          | 92  |
| Figure 83  | Data Loops of the SerDes Macro                      | 93  |
| Figure 84  | Test Access Port and Boundary Scan Architecture     | 96  |
| Figure 85  | Register Space Diagram                              | 100 |
| Figure 86  | SGMII DC Transmit Test Circuit                      | 157 |
| Figure 87  | SGMII DC Definitions                                | 157 |
| Figure 88  | SGMII DC Driver Output Impedance Test Circuit       | 157 |
| Figure 89  | SGMII DC Input Definitions                          | 158 |
| Figure 90  | Thermal Diode                                       | 160 |
| Figure 91  | Test Circuit for Recovered Clock Output Signals     | 162 |
| Figure 92  | QSGMII Transient Parameters                         | 164 |
| Figure 93  | Basic Serial LED Timing                             | 167 |
| Figure 94  | Enhanced Serial LED Timing                          | 168 |
| Figure 95  | SI Input Data Timing Diagram for Slave Mode         | 168 |
| Figure 96  | SI Output Data Timing Diagram for Slave Mode        | 168 |
| Figure 97  | Test Circuit for SI_DO Disable                      | 169 |
| Figure 98  | JTAG Interface Timing Diagram                       | 170 |
| Figure 99  | Test Circuit for TDO Disable Time                   | 170 |
| Figure 100 | Serial Management Interface Timing                  | 171 |
| Figure 101 | SPI Interface Timing                                | 173 |
| Figure 102 | Local Time Counter Load/Save Timing Diagram         | 173 |
| Figure 103 | Daisy-Chained SPI Timestamping Input Timing Diagram | 174 |
| Figure 104 | Top-Left Pin Diagram                                | 177 |
| Figure 105 | Top-Right Pin Diagram                               | 178 |
| Figure 106 | Package Drawing                                     | 186 |

# Tables

|          |   |     |
|----------|---|-----|
| Table 1  | Operating Modes   | 6   |
| Table 2  | MAC Interface Mode Mapping                                | 14  |
| Table 3  | Supported MDI Pair Combinations                           | 16  |
| Table 4  | AMS Media Preferences                                     | 18  |
| Table 5  | REFCLK Frequency Selection                                | 18  |
| Table 6  | Flows Per Engine Type                                     | 48  |
| Table 7  | Ethernet Comparator: Next Protocol                        | 49  |
| Table 8  | Comparator ID Codes                                       | 49  |
| Table 9  | Ethernet Comparator (Next Protocol)                       | 51  |
| Table 10 | Ethernet Comparator (Flow)                                | 51  |
| Table 11 | MPLS Comparator: Next Word                                | 54  |
| Table 12 | MPLS Comparator: Per-Flow                                 | 54  |
| Table 13 | MPLS Range_Upper/Lower Label Map                          | 54  |
| Table 14 | Next MPLS Comparator                                      | 55  |
| Table 15 | Next-Protocol Registers in OAM-Version of MPLS Block      | 55  |
| Table 16 | Comparator Field Summary                                  | 58  |
| Table 17 | IP/ACH Next-Protocol Comparison                           | 59  |
| Table 18 | IP/ACH Comparator Flow Verification Registers             | 60  |
| Table 19 | PTP Comparison  | 63  |
| Table 20 | PTP Comparison: Common Controls                           | 65  |
| Table 21 | PTP Comparison: Additions for OAM-Optimized Engine        | 65  |
| Table 22 | Frame Signature Byte Mapping                              | 66  |
| Table 23 | Frame Signature Address Source                            | 66  |
| Table 24 | LTC Time Load/Save Options                                | 75  |
| Table 25 | Output Pulse Frequencies                                  | 77  |
| Table 26 | Daisy-Chain Parameters                                    | 79  |
| Table 27 | SI_ADDR Mapping   | 80  |
| Table 28 | LED Drive State   | 83  |
| Table 29 | LED Mode and Function Summary                             | 84  |
| Table 30 | Extended LED Mode and Function Summary                    | 85  |
| Table 31 | LED Serial Bitstream Order                                | 86  |
| Table 32 | Register Bits for GPIO Control and Status                 | 89  |
| Table 33 | SerDes Macro Address Map                                  | 95  |
| Table 34 | JTAG Instruction Codes                                    | 96  |
| Table 35 | IDCODE JTAG Device Identification Register Descriptions   | 97  |
| Table 36 | USERCODE JTAG Device Identification Register Descriptions | 97  |
| Table 37 | JTAG Instruction Code IEEE Compliance                     | 98  |
| Table 38 | IEEE 802.3 Registers                                      | 101 |
| Table 39 | Main Registers  | 101 |
| Table 40 | Mode Control, Address 0 (0x00)                            | 102 |
| Table 41 | Mode Status, Address 1 (0x01)                             | 103 |
| Table 42 | Identifier 1, Address 2 (0x02)                            | 104 |
| Table 43 | Identifier 2, Address 3 (0x03)                            | 104 |
| Table 44 | Device Autonegotiation Advertisement, Address 4 (0x04)    | 104 |
| Table 45 | Autonegotiation Link Partner Ability, Address 5 (0x05)    | 105 |
| Table 46 | Autonegotiation Expansion, Address 6 (0x06)               | 105 |
| Table 47 | Autonegotiation Next Page Transmit, Address 7 (0x07)      | 106 |
| Table 48 | Autonegotiation LP Next Page Receive, Address 8 (0x08)    | 106 |
| Table 49 | 1000BASE-T/X Control, Address 9 (0x09)                    | 106 |
| Table 50 | 1000BASE-T Status, Address 10 (0x0A)                      | 107 |
| Table 51 | MMD EEE Access, Address 13 (0x0D)                         | 108 |
| Table 52 | MMD Address or Data Register, Address 14 (0x0E)           | 108 |
| Table 53 | 1000BASE-T Status Extension 1, Address 15 (0x0F)          | 108 |
| Table 54 | 100BASE-TX/FX Status Extension, Address 16 (0x10)         | 108 |

|           |   |     |
|-----------|---|-----|
| Table 55  | 1000BASE-T Status Extension 2, Address 17 (0x11)                | 109 |
| Table 56  | Bypass Control, Address 18 (0x12)                               | 110 |
| Table 57  | Extended Control and Status, Address 19 (0x13)                  | 111 |
| Table 58  | Extended Control and Status, Address 20 (0x14)                  | 111 |
| Table 59  | Extended Control and Status, Address 21 (0x15)                  | 111 |
| Table 60  | Extended Control and Status, Address 22 (0x16)                  | 111 |
| Table 61  | Extended PHY Control 1, Address 23 (0x17)                       | 112 |
| Table 62  | Extended PHY Control 2, Address 24 (0x18)                       | 113 |
| Table 63  | Interrupt Mask, Address 25 (0x19)                               | 114 |
| Table 64  | Interrupt Status, Address 26 (0x1A)                             | 115 |
| Table 65  | Auxiliary Control and Status, Address 28 (0x1C)                 | 115 |
| Table 66  | LED Mode Select, Address 29 (0x1D)                              | 117 |
| Table 67  | LED Behavior, Address 30 (0x1E)                                 | 117 |
| Table 68  | Extended/GPIO Register Page Access, Address 31 (0x1F)           | 118 |
| Table 69  | Extended Registers Page 1 Space                                 | 119 |
| Table 70  | SerDes Media Control, Address 16E1 (0x10)                       | 119 |
| Table 71  | Cu Media CRC Good Counter, Address 18E1 (0x12)                  | 120 |
| Table 72  | Extended Mode Control, Address 19E1 (0x13)                      | 120 |
| Table 73  | Extended PHY Control 3, Address 20E1 (0x14)                     | 121 |
| Table 74  | Extended PHY Control 4, Address 23E1 (0x17)                     | 122 |
| Table 75  | EPG Control Register 1, Address 29E1 (0x1D)                     | 122 |
| Table 76  | EPG Control Register 2, Address 30E1 (0x1E)                     | 123 |
| Table 77  | Extended Registers Page 2 Space                                 | 124 |
| Table 78  | Cu PMD Transmit Control, Address 16E2 (0x10)                    | 124 |
| Table 79  | EEE Control, Address 17E2 (0x11)                                | 126 |
| Table 80  | Extended Chip ID, Address 18E2 (0x12)                           | 127 |
| Table 81  | Entropy Data, Address 19E2 (0x13)                               | 127 |
| Table 82  | Extended Interrupt Mask, Address 28E2 (0x1C)                    | 127 |
| Table 83  | Extended Interrupt Status, Address 29E2 (0x1D)                  | 128 |
| Table 84  | Ring Resiliency, Address 30E2 (0x1E)                            | 128 |
| Table 85  | Extended Registers Page 3 Space                                 | 129 |
| Table 86  | MAC SerDes PCS Control, Address 16E3 (0x10)                     | 129 |
| Table 87  | MAC SerDes PCS Status, Address 17E3 (0x11)                      | 130 |
| Table 88  | MAC SerDes CI37 Advertised Ability, Address 18E3 (0x12)         | 131 |
| Table 89  | MAC SerDes CI37 LP Ability, Address 19E3 (0x13)                 | 131 |
| Table 90  | MAC SerDes Status, Address 20E3 (0x14)                          | 132 |
| Table 91  | Media/MAC SerDes Tx Good Packet Counter, Address 21E3 (0x15)    | 132 |
| Table 92  | Media/MAC SerDes Tx CRC Error Counter, Address 22E3 (0x16)      | 132 |
| Table 93  | Media SerDes PCS Control, Address 23E3 (0x17)                   | 133 |
| Table 94  | Media SerDes PCS Status, Address 24E3 (0x18)                    | 134 |
| Table 95  | Media SerDes CI37 Advertised Ability, Address 25E3 (0x19)       | 135 |
| Table 96  | MAC SerDes CI37 LP Ability, Address 26E3 (0x1A)                 | 135 |
| Table 97  | Media SerDes Status, Address 27E3 (0x1B)                        | 135 |
| Table 98  | Media/MAC SerDes Receive CRC Good Counter, Address 28E3 (0x1C)  | 136 |
| Table 99  | Media/MAC SerDes Receive CRC Error Counter, Address 29E3 (0x1D) | 136 |
| Table 100 | Extended Registers Page 4 Space                                 | 136 |
| Table 101 | CSR Access Control, Address 16E4                                | 137 |
| Table 102 | CSR Buffer, Address 17E4  | 137 |
| Table 103 | CSR Buffer, Address 18E4  | 137 |
| Table 104 | CSR Access Control, Address 19E4                                | 137 |
| Table 105 | 1588_PPS_0 Mux Control, Address 21E4                            | 138 |
| Table 106 | SPI Daisy-Chain Control, Address 26E4                           | 138 |
| Table 107 | CSR Status, Address 20E4  | 138 |
| Table 108 | General Purpose Registers Page Space                            | 139 |
| Table 109 | SPI Daisy-Chain Status, Address 27E4                            | 139 |
| Table 110 | SPI Daisy-Chain Counter, Address 28E4                           | 139 |
| Table 111 | 1588 RefClk Input Buffer Control (LSW), Address 29E4            | 139 |
| Table 112 | 1588 RefClk Input Buffer Control (MSW), Address 30E4            | 139 |
| Table 113 | LED/SIGDET/GPIO Control, Address 13G (0x0D)                     | 140 |

|           |  |     |
|-----------|--|-----|
| Table 114 | GPIO Control 2, Address 14G (0x0E) . . . . .                                       | 141 |
| Table 115 | GPIO Input, Address 15G (0x0F) . . . . .   | 142 |
| Table 116 | GPIO Output, Address 16G (0x10) . . . . .  | 143 |
| Table 117 | GPIO Input/Output Configuration, Address 17G (0x11) . . . . .                      | 143 |
| Table 118 | Microprocessor Command Register, Address 18G . . . . .                             | 144 |
| Table 119 | MAC Configuration and Fast Link Register, Address 19G (0x13) . . . . .             | 144 |
| Table 120 | Two-Wire Serial MUX Control 1, Address 20G (0x14) . . . . .                        | 145 |
| Table 121 | Two-Wire Serial MUX Interface Status and Control, Address 21G (0x15) . . . . .     | 145 |
| Table 122 | Two-Wire Serial MUX Data Read/Write, Address 22G (0x16) . . . . .                  | 146 |
| Table 123 | Recovered Clock 1 Control, Address 23G (0x17) . . . . .                            | 146 |
| Table 124 | Recovered Clock 2 Control, Address 24G (0x18) . . . . .                            | 147 |
| Table 125 | Enhanced LED Control, Address 25G (0x19) . . . . .                                 | 148 |
| Table 126 | Global Interrupt Status, Address 29G (0x1D) . . . . .                              | 149 |
| Table 127 | Clause 45 Registers Page Space . . . . .   | 150 |
| Table 128 | PMA/PMD Status 1 . . . . .   | 151 |
| Table 129 | PCS Status 1, Address 3.1 . . . . .  | 151 |
| Table 130 | EEE Capability, Address 3.20 . . . . .   | 151 |
| Table 131 | EEE Wake Error Counter, Address 3.22 . . . . .                                     | 152 |
| Table 132 | EEE Advertisement, Address 7.60 . . . . .  | 152 |
| Table 133 | EEE Advertisement, Address 7.61 . . . . .  | 152 |
| Table 134 | 802.3bf Registers . . . . .  | 153 |
| Table 135 | VDD25 and VDDMDIO . . . . .  | 154 |
| Table 136 | VDDMDIO . . . . .  | 154 |
| Table 137 | Supply Voltage Specifications . . . . .  | 155 |
| Table 138 | LED and GPIO . . . . .   | 155 |
| Table 139 | Internal Pull-Up or Pull-Down Resistors . . . . .                                  | 155 |
| Table 140 | Reference Clock DC Characteristics . . . . .                                       | 156 |
| Table 141 | 1588 Reference Clock DC Characteristics . . . . .                                  | 156 |
| Table 142 | SerDes Driver DC Specifications . . . . .  | 156 |
| Table 143 | SerDes Receiver DC Specifications . . . . .  | 158 |
| Table 144 | Enhanced SerDes Driver DC Specifications . . . . .                                 | 158 |
| Table 145 | Enhanced SerDes Receiver DC Specifications . . . . .                               | 159 |
| Table 146 | Current Consumption (1588 Disabled) . . . . .                                      | 159 |
| Table 147 | 1588 Current Consumption . . . . .   | 160 |
| Table 148 | Thermal Diode Parameters . . . . .   | 161 |
| Table 149 | Reference Clock AC Characteristics for QSGMII 125 MHz Differential Clock . . . . . | 161 |
| Table 150 | Recovered Clock AC Characteristics . . . . .                                       | 162 |
| Table 151 | SerDes Outputs AC Specifications . . . . .   | 163 |
| Table 152 | SerDes Driver Jitter Characteristics . . . . .                                     | 163 |
| Table 153 | SerDes Input AC Specifications . . . . .   | 164 |
| Table 154 | SerDes Receiver Jitter Tolerance . . . . .   | 164 |
| Table 155 | Enhanced SerDes Outputs AC Specifications, SGMII Mode . . . . .                    | 165 |
| Table 156 | Enhanced SerDes Outputs AC Specifications, QSGMII Mode . . . . .                   | 165 |
| Table 157 | Enhanced SerDes Input AC Specifications, SGMII Mode . . . . .                      | 166 |
| Table 158 | Enhanced SerDes Inputs AC Specifications, QSGMII Mode . . . . .                    | 166 |
| Table 159 | Enhanced SerDes Receiver Jitter Tolerance . . . . .                                | 166 |
| Table 160 | Basic Serial LEDs AC Characteristics . . . . .                                     | 167 |
| Table 161 | Enhanced Serial LEDs AC Characteristics . . . . .                                  | 167 |
| Table 162 | SI Timing Specifications for Slave Mode . . . . .                                  | 168 |
| Table 163 | JTAG Interface AC Specifications . . . . .   | 169 |
| Table 164 | Serial Management Interface AC Characteristics . . . . .                           | 171 |
| Table 165 | Reset Timing Specifications . . . . .  | 172 |
| Table 166 | IEEE 1588 Timing Specifications AC Characteristics . . . . .                       | 172 |
| Table 167 | SPI Timing . . . . .   | 172 |
| Table 168 | Local Time Counter Load/Save Timing Specifications . . . . .                       | 173 |
| Table 169 | Daisy-Chained SPI Timestamping Input Timing Specifications . . . . .               | 174 |
| Table 170 | PHY Latency in IEEE 1588 Timing Bypass Mode . . . . .                              | 174 |
| Table 171 | Recommended Operating Conditions . . . . .   | 174 |
| Table 172 | Stress Ratings . . . . .   | 175 |

|           |                               |     |
|-----------|-------------------------------|-----|
| Table 173 | Pin Type Symbol Definitions   | 176 |
| Table 174 | 1588 Support Pins             | 178 |
| Table 175 | 1588 Support and GPIO Pins    | 179 |
| Table 176 | GPIO and Two-Wire Serial Pins | 179 |
| Table 177 | JTAG Pins                     | 180 |
| Table 178 | Miscellaneous Pins            | 180 |
| Table 179 | Power Supply and Ground Pins  | 181 |
| Table 180 | SerDes MAC Interface Pins     | 182 |
| Table 181 | SerDes Media Interface Pins   | 182 |
| Table 182 | SMI Pins                      | 183 |
| Table 183 | SIGDET/GPIO Pins              | 183 |
| Table 184 | SPI Interface Pins            | 183 |
| Table 185 | Twisted Pair Interface Pins   | 184 |
| Table 186 | Thermal Resistances           | 187 |
| Table 187 | Ordering Information          | 191 |



# 1 Revision History

---

The revision history describes the changes that were implemented in the document. The changes are listed by revision, starting with the most current publication.

## 1.1 Revision 4.2

Revision 4.2 was published in April 2019. The following is a summary of the changes in this document.

- The VeriPHY information was updated in the Flexibility section. For more information, see [Flexibility](#), page 4.
- VeriPHY™ Cable Diagnostics section was updated. For more information, see [VeriPHY Cable Diagnostics](#), page 95.
- Removed the Mean Square Error Noise section.
- The references to the VeriPHY were removed from the Extended Registers Page 1 Space table. For more information, see [Table 69](#), page 119.
- The VeriPHY Control 1/2/3 sections were removed.

## 1.2 Revision 4.1

Revision 4.1 was published in August 2017. The following is a summary of the changes in this document.

- All references to LVDS were clarified to reflect LVDS compatibility.
- All references to CLK1588P/N were clarified as 1588\_DIFF\_INPUT\_CLK\_P/N.
- All references to serial parallel interface were corrected to serial peripheral interface.
- Pin E16 name was corrected to remove GPIO functionality.
- Operating modes were updated to correctly reflect available functionality. For more information, see [Operating Modes](#), page 6.
- The Analyzer block diagram was updated. For more information, see [Figure 45](#), page 47.
- A note was added about the use of recovered clock outputs and fast link failure indication in EEE mode. For more information, see [Media Recovered Clock Outputs](#), page 80 and [Fast Link Failure Indication](#), page 87.
- The equipment loop description was updated to correctly reflect available functionality. For more information, see [Equipment Loop](#), page 94.
- EEE Control register descriptions were updated to indicate sticky bits. For more information, see [Table 79](#), page 126.
- Media/MAC SerDes transmit CRC error counter register descriptions were updated. For more information, see [Table 92](#), page 132.
- Some GPIO register names were updated to correctly reflect available functionality. For more information, see [General Purpose Registers](#), page 139.
- Specifications for the IEEE 1588 timing, timestamp interface, and local time counter were updated. For more information, see [Table 166](#), page 172, [Serial Timestamp Interface](#), page 172, and [Local Time Counter Load/Save Timing](#), page 173.
- Information for daisy-chained SPI timestamping was added. For more information, see [Daisy-Chained SPI Timestamping Inputs](#), page 173.
- Design considerations were updated. For more information, see [Design Considerations](#), page 188.
- Temperature specifications were added to the part ordering information. For more information, see [Table 187](#), page 191.

## 1.3 Revision 4.0

Revision 4.0 was published in November 2015. The following is a summary of the changes in this document.

- Current consumption tables were updated to better reflect device performance.
- The PHY Latency values in IEEE 1588 Timing Bypass Mode were updated.
- The following design considerations were added.
  - LED Duplex/Collision function not working when in protocol transfer mode 10/100 Mbps.
  - Anomalous Fast Link Failure indication in 1000BT Energy Efficient Ethernet mode.

- Energy Efficient Ethernet allowed only for MACs supporting IEEE 802.3az-2010 in 1588 applications.
- Auto-Negotiation Management Register Test failures.
- Link performance in 100BASE-TX and 1000BASE-T modes design consideration was updated.

## **1.4 Revision 2.0**

Revision 2.0 was published in August 2015. It was the first publication of this document.



## 2 Overview

VSC8575-11 is a low-power, quad-port Gigabit Ethernet transceiver with four SerDes interfaces for quad-port dual media capability. It also includes an integrated quad-port two-wire serial multiplexer (MUX) to control SFPs or PoE modules. It has a low electromagnetic interference (EMI) line driver, and integrated line side termination resistors that conserve both power and printed circuit board (PCB) space.

The VSC8575-11 includes VeriTime™, Microsemi's patent-pending timing technology that delivers the industry's most accurate IEEE 1588v2 timing implementation. IEEE 1588v2 timing integrated in the VSC8575-11 device is the quickest, lowest cost method of implementing the timing accuracy to maintain existing timing-critical capabilities during the migration from TDM to packet-based architectures.

The VSC8575-11 device supports 1-step and 2-step PTP implementations to provide accuracies below 8 ns that greatly minimize internal system delays and variabilities for ordinary clock, boundary clock, and transparent clock applications. Complete Y.1731 OAM performance monitoring capabilities, master, slave, boundary, and transparent clock configurations, and sophisticated classifications (including UDP, IPv4, IPv6 packets and VLAN, and MPLS-TP encapsulations) are also supported.

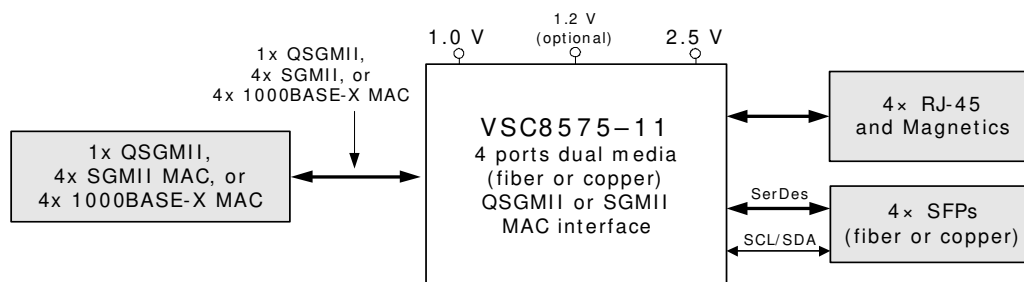
The VSC8575-11 also supports a ring resiliency feature that allows a 1000BASE-T connected PHY port to switch between master and slave timing without having to interrupt the 1000BASE-T link.

Using Microsemi's EcoEthernet v2.0 PHY technology, the VSC8575-11 supports energy efficiency features such as Energy Efficient Ethernet (EEE), ActiPHY link down power savings, and PerfectReach that can adjust power based on the cable length. It also supports fully optimized power consumption in all link speeds.

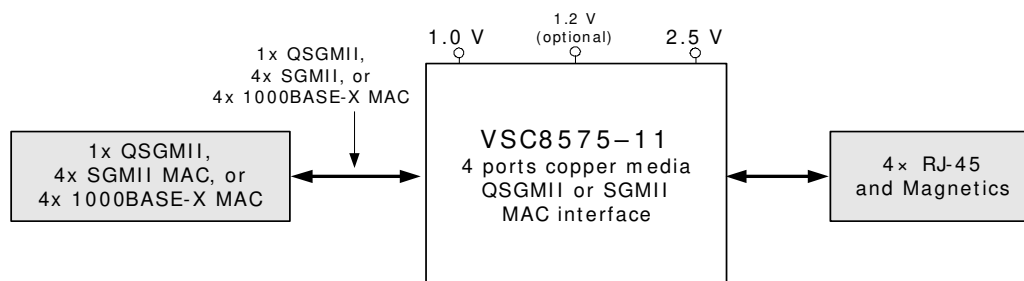
Microsemi's mixed signal and digital signal processing (DSP) architecture is a key operational feature of the VSC8575-11, assuring robust performance even under less-than-favorable environmental conditions. It supports both half-duplex and full-duplex 10BASE-T, 100BASE-TX, and 1000BASE-T communication speeds over Category 5 (Cat5) unshielded twisted pair (UTP) cable at distances greater than 100 m, displaying excellent tolerance to NEXT, FEXT, echo, and other types of ambient environmental and system electronic noise. The device also supports four dual media ports that can support up to four 100BASE-FX, 1000BASE-X fiber, and/or triple-speed copper SFPs.

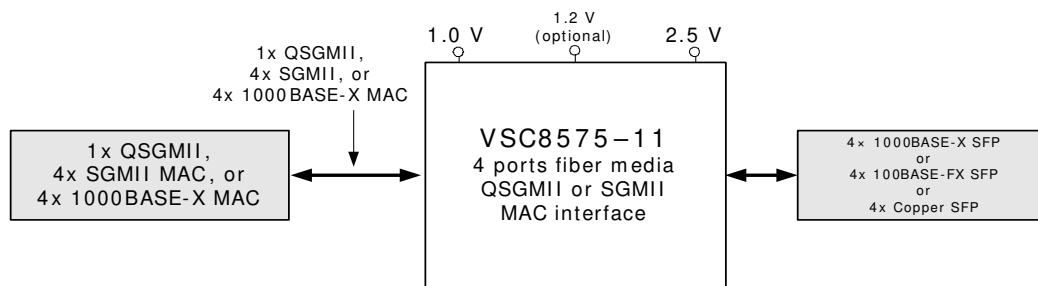
The following illustrations show a high-level, general view of typical VSC8575-11 applications.

**Figure 1 • Dual Media Application Diagram**



**Figure 2 • Copper Transceiver Application Diagram**



**Figure 3 • Fiber Media Transceiver Application Diagram**


## 2.1 Key Features

This section lists the main features and benefits of the VSC8575-11 device.

### 2.1.1 Low Power

- Low power consumption of approximately 425 mW per port in 1000BASE-T mode, 200 mW per port in 100BASE-TX mode, 225 mW per port in 10BASE-T mode, and less than 115 mW per port in 100BASE-FX and 1000BASE-X modes
- ActiPHY™ link down power savings
- PerfectReach™ smart cable reach algorithm
- IEEE 802.3az-2010 Energy Efficient Ethernet idle power savings

### 2.1.2 Advanced Carrier Ethernet Support

- Recovered clock outputs with programmable clock squelch control and fast link failure indication (typical <1 ms; worst-case <3 ms) for G.8261 Synchronous Ethernet applications
- Ring resiliency for maintaining linkup integrity when switching between 1000BASE-T master and slave timing
- Supports IEEE 802.3bf timing and synchronization standard
- Integrated quad two-wire serial MUX to control SFP and PoE modules
- Support for 802.3ah unidirectional transport for 100BASE-FX and 1000BASE-X fiber media

### 2.1.3 Wide Range of Support

- Compliant with IEEE 802.3 (10BASE-T, 10BASE-Te, 100BASE-TX, 1000BASE-T, 100BASE-FX, and 1000BASE-X) specifications
- Support for >16 kB jumbo frames in all speeds with programmable synchronization FIFOs
- Supports Cisco QSGMII v1.3, Cisco SGMII v1.9, 1000BASE-X MACs, and IEEE 1149.1 JTAG boundary scan
- Available in a low-cost, 256-pin BGA package with a 17 mm × 17 mm body size

### 2.1.4 Flexibility

- VeriPHY® cable diagnostics suite provides extensive network cable operating conditions and status
- Patented, low EMI line driver with integrated line side termination resistors
- Four programmable direct-drive LEDs per port with adjustable brightness levels using register controls; bi-color LED support using two LED pins
- Serial LED interface option
- Extensive test features including near end, far end, copper media connector, SerDes MAC/media loopback, and Ethernet packet generator with CRC error counter to decrease time-to-market

**Note:** All MAC interfaces must be the same — all QSGMII or SGMII.

### 2.1.5 IEEE 1588v2

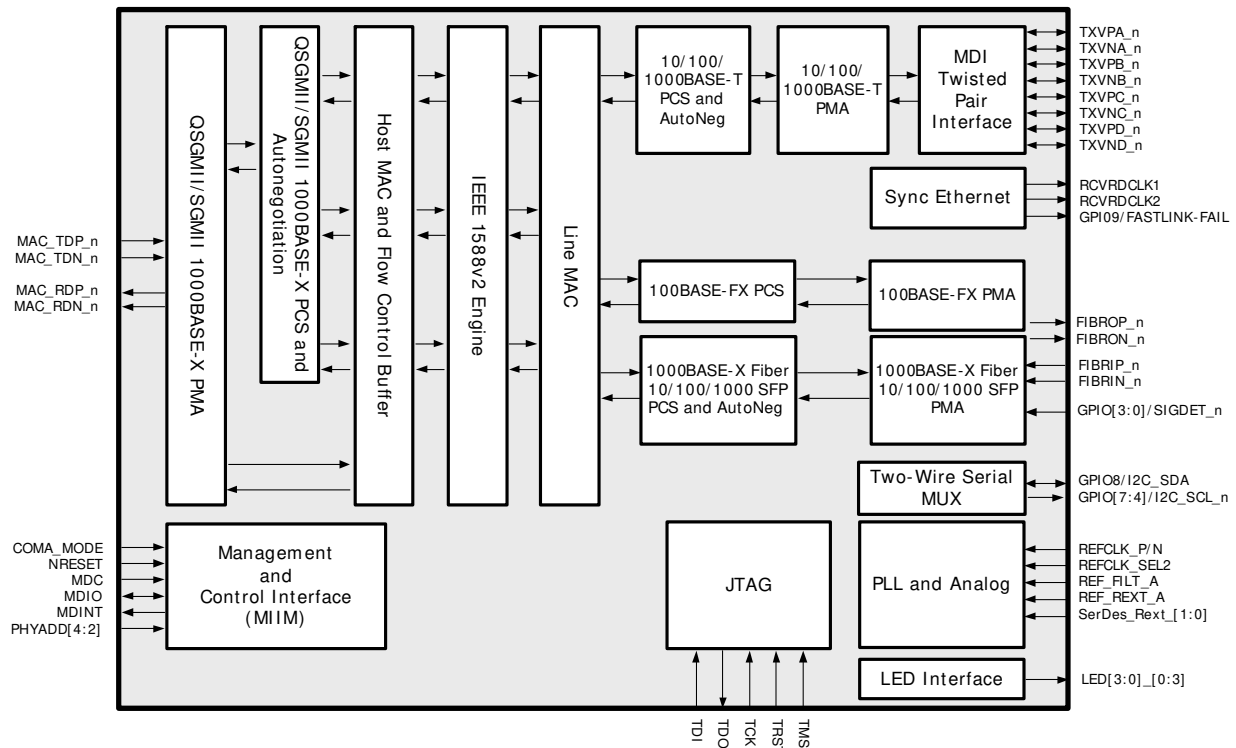
- Support for IEEE 1588-2008 time stamping with encapsulation support
- Separate bypass bits for egress and ingress paths
- General PBB support for four encapsulations across three encapsulation engines
- MPLS-TP OAM support in third encapsulation engine
- ETH1 comparator bypass for time-stamping all packets
- Full 48-bit arithmetic to time-stamp

- Improved time-precision of local time counter (LTC) load with programmable offset register
- Auto-clear Load/Save signal for more deterministic software writes to LTC
- LTC block clock output based on LTC timer
- Programmable duty cycle to enable use of the synthesis pulse to synchronize out of sync devices
- Ability to load/read ToD information serially
- Improved time-precision for PPS output including external cable delay measurement for PPS
- Ability to issue interrupt when data in reserved field
- IP frame signature offset width increased to support IPv6
- IEEE-1588 v2 support
- Ability to store frame signature from all the engines

## 2.2 Block Diagram

The following illustration shows the primary functional blocks of the VSC8575-11 device.

Figure 4 • Block Diagram



**Note:** All MAC interfaces must be the same—all QSGMII, SGMII, or 1000BASE-X.

## 3 Functional Descriptions

This section describes the functional aspects of the VSC8575-11 device, including available configurations, operational features, and testing functionality. It also defines the device setup parameters that configure the device for a particular application.

### 3.1 Operating Modes

The following table lists the operating modes of the VSC8575-11 device.

**Table 1 • Operating Modes**

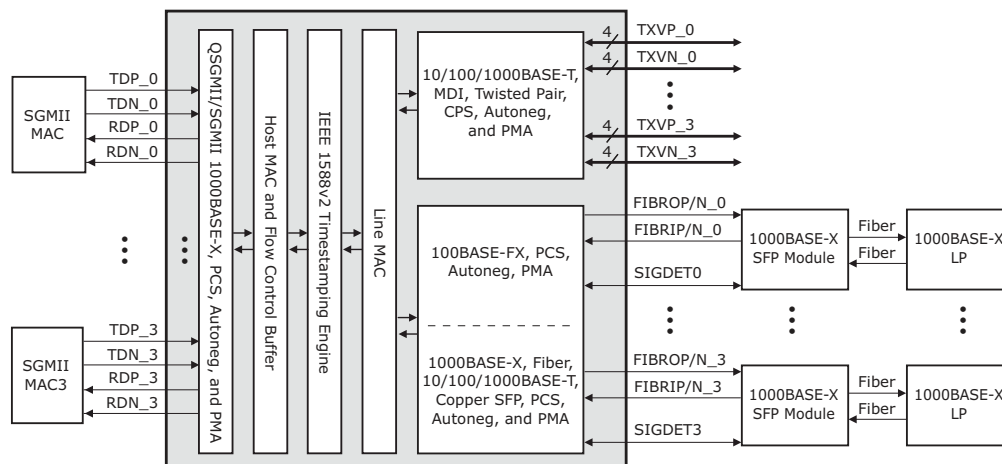
| Operating Mode                                     | Supported Media   | Notes                                    |
|--|---|--|
| QSGMII/SGMII MAC-to-1000BASE-X Link Partner        | 1000BASE-X  | See <a href="#">Figure 5</a> , page 6.   |
| QSGMII/SGMII MAC-to-100BASE-FX Link Partner        | 100BASE-FX  | See <a href="#">Figure 7</a> , page 7.   |
| QSGMII/SGMII MAC-to-AMS and 1000BASE-X SerDes      | 1000BASE-X,<br>10/100/1000BASE-T  | See <a href="#">Figure 8</a> , page 8.   |
| QSGMII/SGMII MAC-to-AMS and 100BASE-FX SerDes      | 100BASE-FX,<br>10/100/1000BASE-T  | See <a href="#">Figure 9</a> , page 9.   |
| QSGMII/SGMII MAC-to-AMS and Protocol Transfer Mode | SFP/Fiber protocol transfer mode (10/100/1000BASE-T Cu SFP),<br>10/100/1000BASE-T | See <a href="#">Figure 10</a> , page 9.  |
| QSGMII/SGMII MAC-to-Cat5 Link Partner              | 10/100/1000BASE-T   | See <a href="#">Figure 11</a> , page 10. |
| QSGMII/SGMII MAC-to-Protocol Transfer Mode         | SFP/Fiber protocol transfer mode (10/100/1000BASE-T Cu SFP)                       | See <a href="#">Figure 12</a> , page 10. |
| 1000BASE-X MAC to Cat5 Link Partner                | 1000BASE-T only   | See <a href="#">Figure 13</a> , page 11. |

**Note:** All MAC interfaces must be the same—all QSGMII or SGMII.

#### 3.1.1 QSGMII/SGMII MAC to 1000BASE-X Link Partner

The following illustrations show the register settings used to configure a QSGMII/SGMII MAC to 1000BASE-X link partner.

**Figure 5 • SGMII MAC to 1000BASE-X Link Partner**

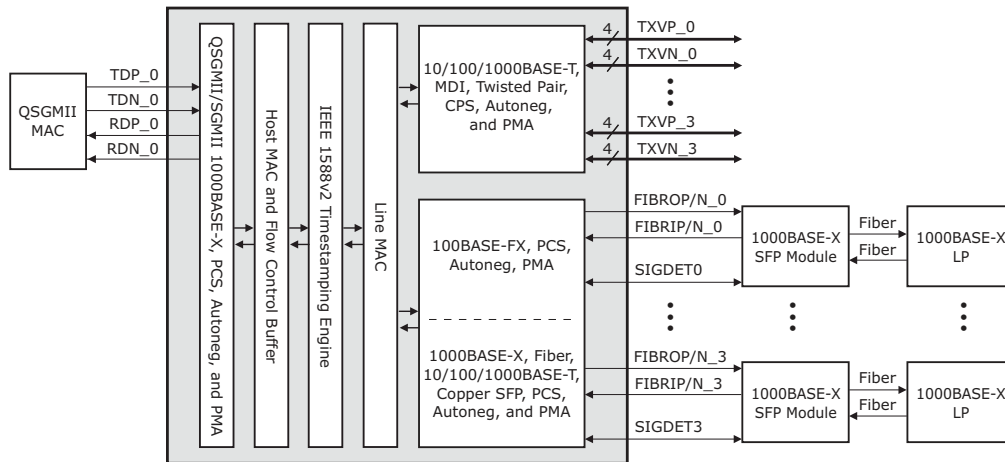


##### 3.1.1.1 MAC Interface SGMII

- Set register 19G bits 15:14 = 00

- Set Register 23 (main register) bit 12 = 0
- Set Register 18G = 0x80F0. For more information, see Table 118, page 144.

**Figure 6 • QSGMII MAC to 1000BASE-X Link Partner**



### 3.1.1.2 MAC Interface QSGMII

- Set register 19G bits 15:14 = 01
- Set Register 23 (main register) bit 12 = 0
- Set Register 18G = 0x80E0. For more information, see Table 118, page 144.

### 3.1.1.3 Media Interface 1000BASE-X SFP Fiber (1000BASE-X Link Partner)

- Set register 23 bits 10:8 = 010.
- Set register 0 bit 12 = 1 (enable autonegotiation)
- Set Register 18G = 0x8FC1. For more information, see Table 118, page 144.

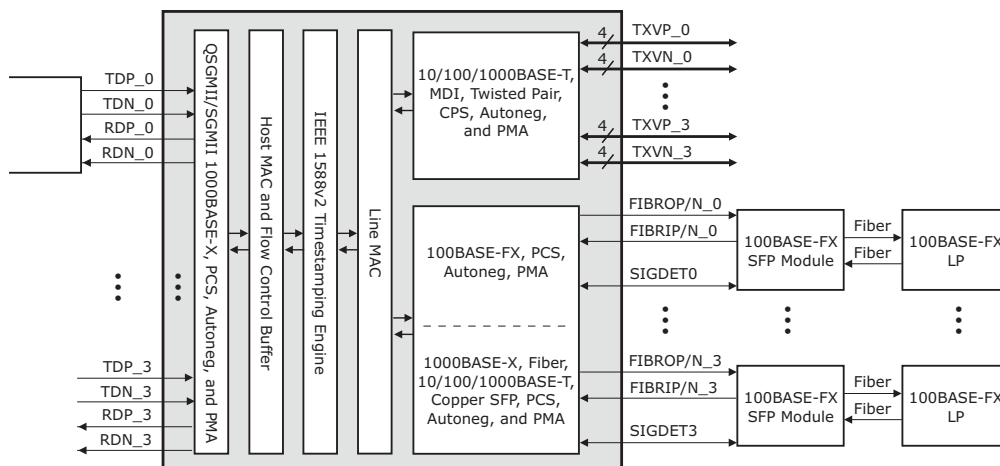
The F in 0x8FC1 identifies the port. To exclude a port from the configuration, set its bit to 0. For example, the configuration of port 0 and port 1 to 1000BASE-X is 0011 or 3, making the bit setting 0x83C1.

**Note:** Whenever there is a mode change in register 23, a software reset (register 0 bit 15) is required to make the mode change effective. This register will read the currently active mode and not what was just written.

### 3.1.2 QSGMII/SGMII MAC to 100BASE-FX Link Partner

The following illustration shows the register settings used to configure a QSGMII/SGMII MAC to 100BASE-FX link partner.

**Figure 7 • QSGMII/SGMII MAC to 100BASE-FX Link Partner**



### 3.1.2.1 Media Interface 100BASE-FX SFP Fiber (100BASE-FX Link Partner)

- Set register 23 bits 10:8 = 011
- Set register 0 bit 12 = 0 (autonegotiation not present in 100BASE-FX PHY)
- Set Register 18G = 0x8FD1. For more information, Table 118, page 144.

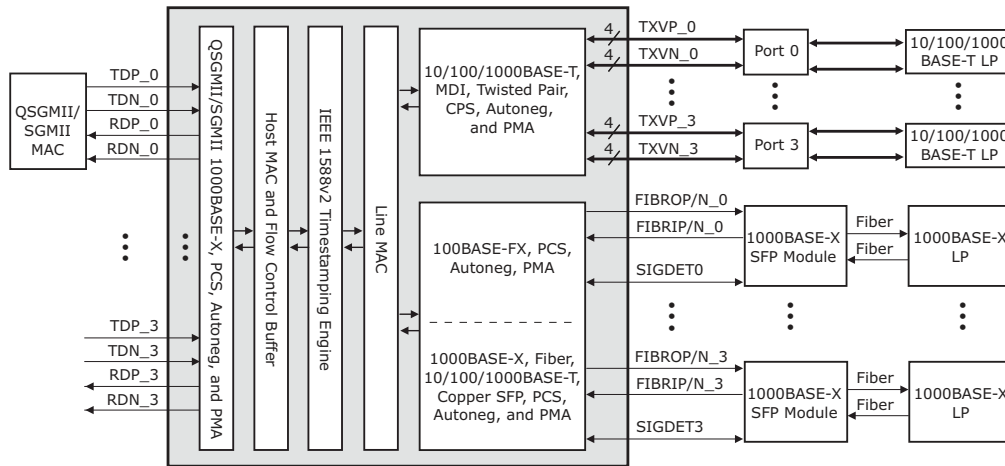
For QSGMII only port 0 is used.

**Note:** Whenever there is a mode change a software reset (register 0 bit 15) is required to make the mode change effective. This register is cleared when read.

### 3.1.3 QSGMII/SGMII MAC to AMS and 1000BASE-X Media SerDes

The following illustration shows the register settings used to configure a QSGMII/SGMII MAC to AMS and 1000BASE-X media SerDes.

**Figure 8 • QSGMII/SGMII MAC to AMS and 1000BASE-X Media SerDes**



#### 3.1.3.1 Media Interface 1000BASE-X SFP Fiber (1000BASE-X Link Partner)

- Set register 23 bits 10:8 = 010
- Set register 0 bit 12 = 1 (enable autonegotiation)

#### 3.1.3.2 AMS Preference Setup

- Set register 23 bit 10 = 1 (enable AMS)
- Set register 23 bit 11 to the port preferences

The media selected by AMS can be read from register 20E1 bits 7:6. For more information, see Table 4, page 18.

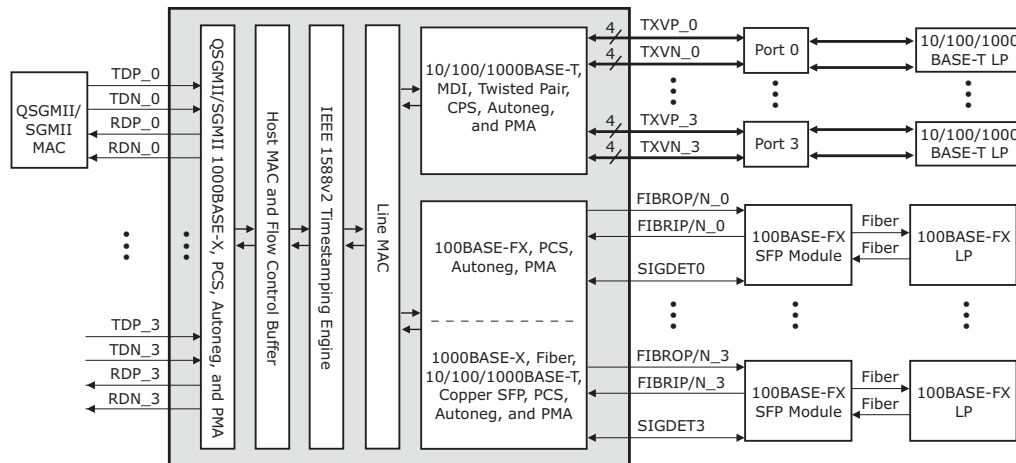
For QSGMII only port 0 is used.

**Note:** Whenever there is a mode change, a software reset (register 0 bit 15) is required to make the mode change effective. This register is cleared when read.

### 3.1.4 QSGMII/SGMII MAC to AMS and 100BASE-FX Media SerDes

The following illustration shows the register settings used to configure a QSGMII/SGMII MAC to AMS and 100BASE-FX media SerDes.

**Figure 9 • QSGMII/SGMII MAC to AMS and 100BASE-FX Media SerDes**



### 3.1.4.1 Media Interface 100BASE-FX SFP Fiber (100BASE-FX Link Partner)

- Set register 23 bits 10:8 = 011
- Set register 0 bit 12 = 1 (enable autonegotiation)

### 3.1.4.2 AMS Preference Setup

- Set register 23 bit 10 = 1 (enable AMS)
- Set register 23 bit 11 to the port preferences

The media selected by AMS can be read from register 20E1 bits 7:6. For more information, see Table 4, page 18.

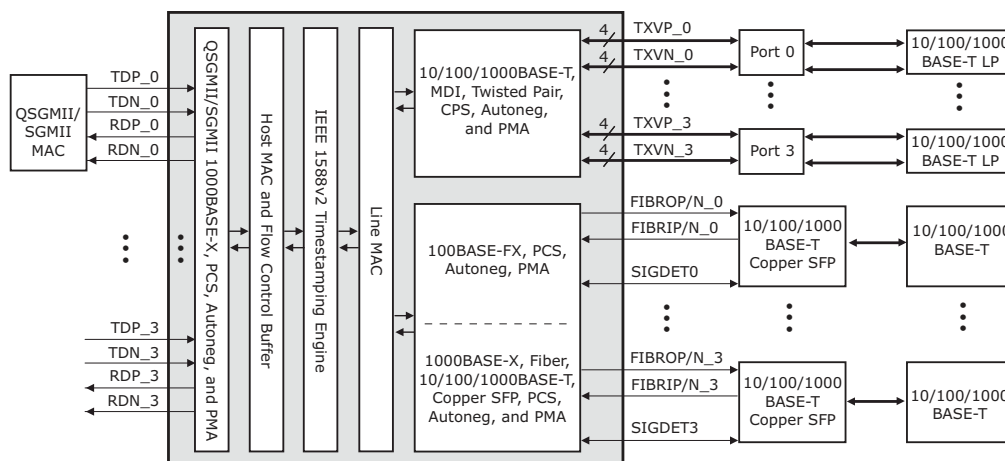
For QSGMII, only port 0 is used.

**Note:** Whenever there is a mode change, a software reset (register 0 bit 15) is required to make the mode change effective. This register is cleared when read.

### 3.1.5 QSGMII/SGMII MAC-to-AMS and Protocol Transfer Mode

The following illustration shows the register settings used to configure a QSGMII/SGMII MAC-to-AMS and Protocol Transfer mode.

**Figure 10 • QSGMII/SGMII MAC-to-AMS and Protocol Transfer Mode**



### 3.1.5.1 Media Interface 10/100/1000BASE-T Cu-SFP

- Set register 23 bits 10:8 = 001
- Set register 23 bit 12 = 0
- Set register 0 bit 12 = 1 (enable autonegotiation)

### 3.1.5.2 AMS Preference Setup

- Set register 23 bit 10 = 1 (enable AMS)
- Set register 23 bit 11 to the port preferences

The media selected by AMS can be read from register 20E1 bits 7:6. For more information, see Table 4, page 18.

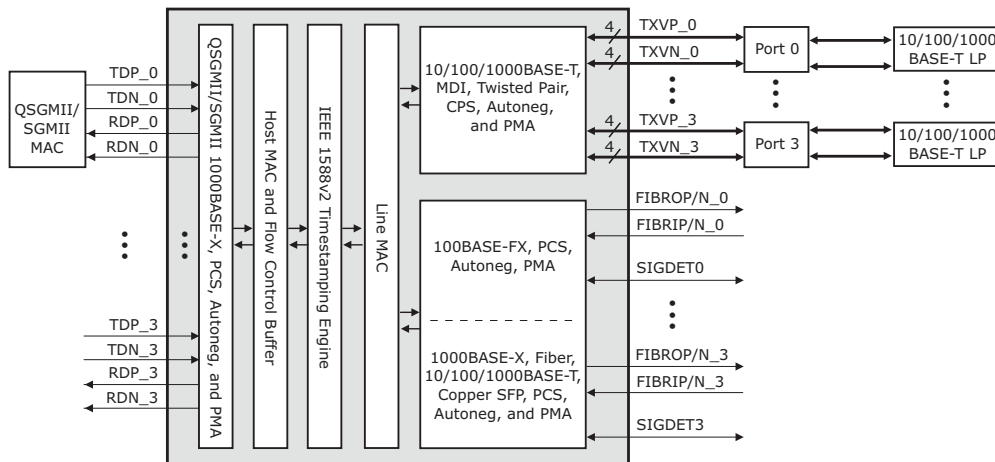
For QSGMII, only port 0 is used.

**Note:** Whenever there is a mode change, a software reset (register 0 bit 15) is required to make the mode change effective. This register is cleared when read.

### 3.1.6 QSGMII/SGMII MAC to Cat5 Link Partner

The following illustration shows the register settings used to configure a QSGMII/SGMII MAC to Cat5 link partner.

Figure 11 • QSGMII/SGMII MAC to Cat5 Link Partner



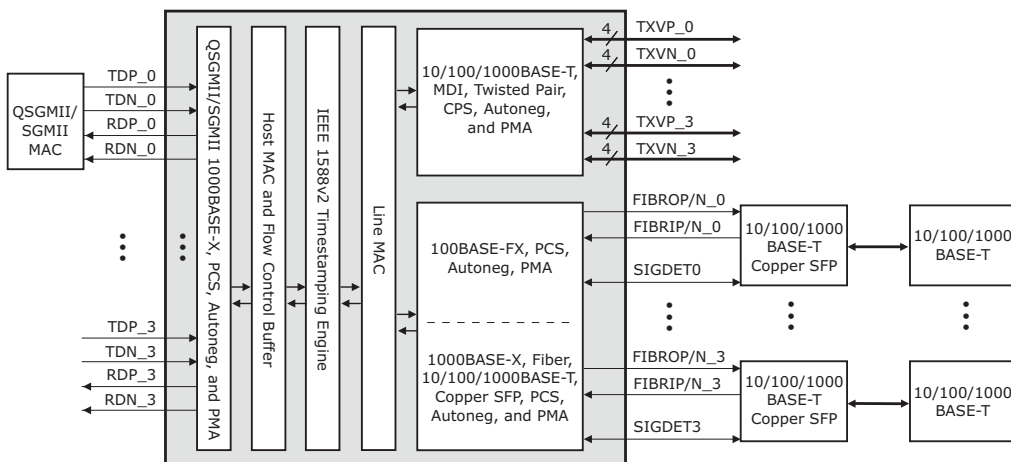
For QSGMII, only port 0 is used.

**Note:** Whenever there is a mode change, a software reset (register 0 bit 15) is required to make the mode change effective. This register is cleared when read.

### 3.1.7 QSGMII/SGMII MAC-to-Protocol Transfer Mode

The following illustration shows the register settings used to configure a QSGMII/SGMII MAC to Protocol Transfer Mode.

Figure 12 • QSGMII/SGMII MAC to Protocol Transfer Mode





### 3.1.7.1 Media Interface 10/100/1000BASE-T Cu SFP

- Set register 23 bits 10:8 = 001
- Set register 23 bit 11 = 0
- Set register 0 bit 12 = 1 (enable autonegotiation)

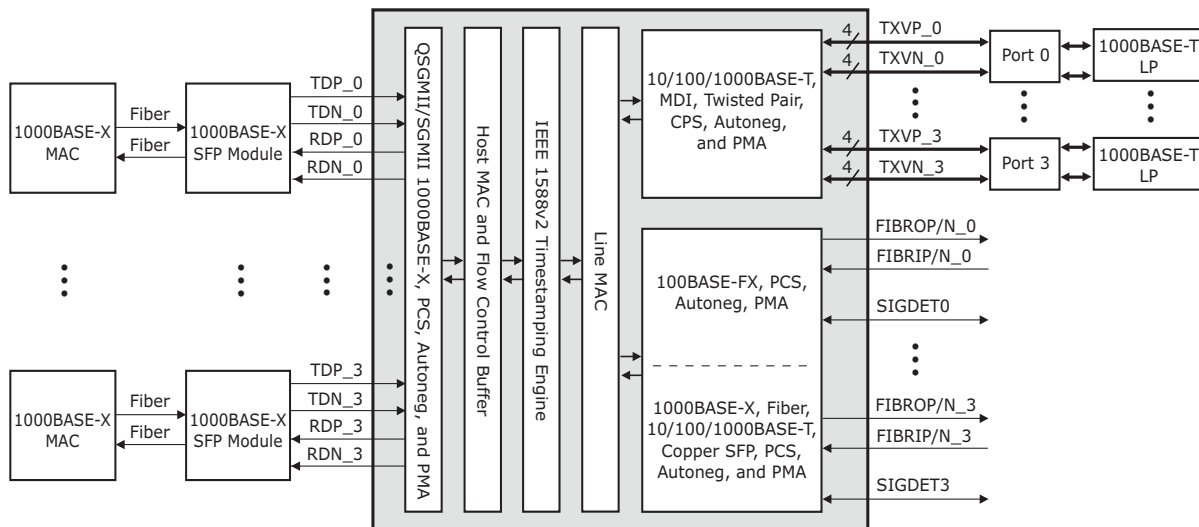
For QSGMII, only port 0 is used.

**Note:** Whenever there is a mode change, a software reset (register 0 bit 15) is required to make the mode change effective. This register is cleared when read.

### 3.1.8 1000BASE-X MAC to Cat5 Link Partner

The following illustration shows the register settings used to configure a 1000BASE-X MAC to Cat5 link partner.

**Figure 13 • 1000BASE-X MAC to Cat5 Link Partner**



In this mode, the device provides data throughput of 1000 Mbps only.

#### 3.1.8.1 MAC Interface

- Set Register 18G = 0x80F0 to configure the 1000BASE-X MAC SerDes. For more information, see Table 118, page 144.
- Set register 19G bits 15:14 = 00
- Set Register 23 (main register) bit 12 = 1

#### 3.1.8.2 Clause 37 MAC Autonegotiation

- Set Register 16E3 bit 7 = 1

**Note:** Whenever there is a mode change, a software reset (register 0 bit 15) is required to make the mode change effective. This register is cleared when read.

## 3.2 SerDes MAC Interface

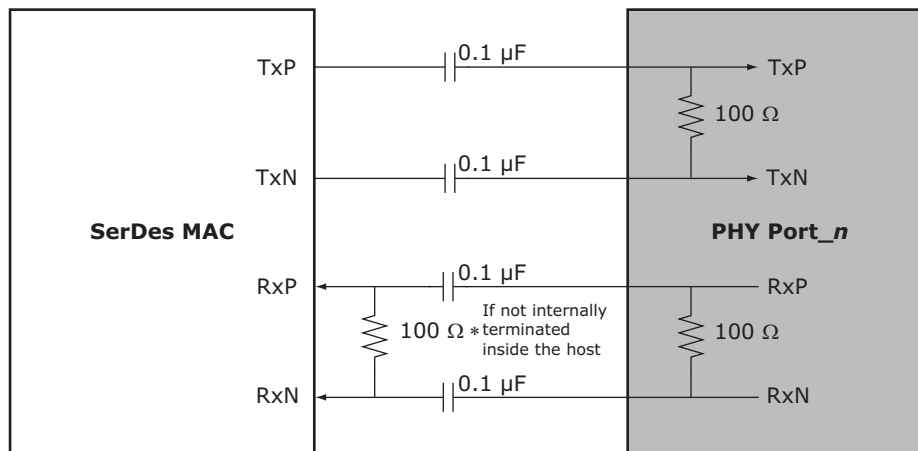
The VSC8575-11 SerDes MAC interface performs data serialization and deserialization functions using an integrated SerDes block. The interface operates in 1000BASE-X compliant mode, QSGMII mode, or SGMII mode. Register 19G is a global register and needs to be set once to configure the device to the desired mode. The other register bits are configured on a per-port basis and the operation either needs to be repeated for each port, or a broadcast write needs to be used by setting register 22, bit 0 to configure all the ports simultaneously. The SerDes and enhanced SerDes blocks have the termination resistor integrated into the device.

### 3.2.1 1000BASE-X MAC

When connected to a SerDes MAC compliant to 1000BASE-X, the VSC8575-11 device provides data throughput at a rate of 1000 Mbps only; 10 Mbps and 100 Mbps rates are not supported. To configure the

device for SerDes MAC mode, set register 19G, bits 15:14 = 0, and register 23, bit 12 = 1. The device also supports 1000BASE-X Clause 37 MAC-side autonegotiation and is enabled through register 16E3, bit 7. To configure the rest of the device for 1000 Mbps operation, select 1000BASE-T only by disabling the 10BASE-T/100BASE-TX advertisements in register 4.

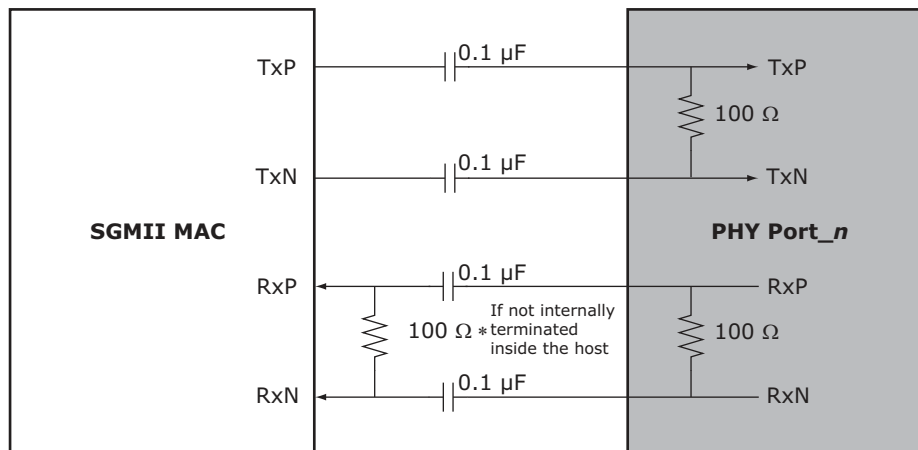
**Figure 14 • SerDes MAC Interface**



### 3.2.2 SGMII MAC

When configured to detect and switch between 10BASE-T, 100BASE-T, and 1000BASE-T data rates, the VSC8575-11 device can be connected to an SGMII-compatible MAC. To configure the device for SGMII MAC mode, set register 19G, bits 15:14 = 00 and register 23, bit 12 = 0. In addition, set register 18G as desired. This device also supports SGMII MAC-side autonegotiation and is enabled through register 16E3, bit 7.

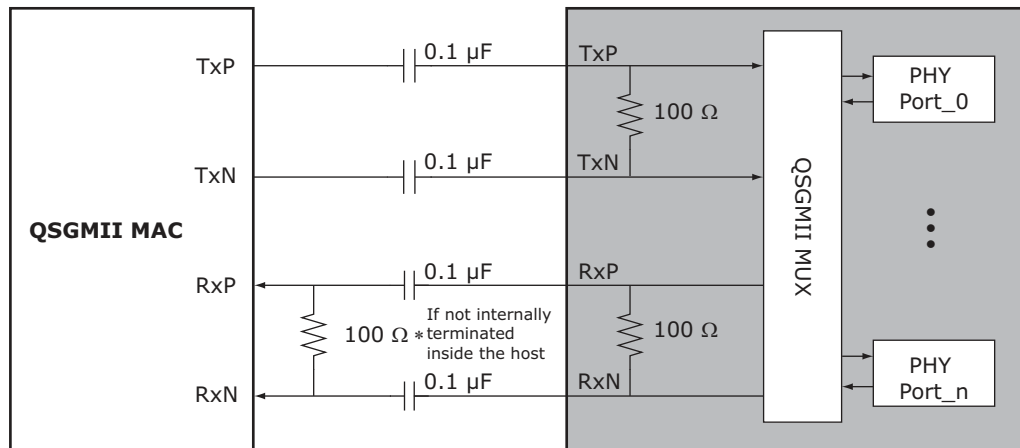
**Figure 15 • SGMII MAC Interface**



### 3.2.3 QSGMII MAC

The VSC8575-11 device supports a QSGMII MAC to convey four ports of network data and port speed between 10BASE-T, 100BASE-T, and 1000BASE-T data rates and operates in both half-duplex and full-duplex at all port speeds. The MAC interface protocol for each port within QSGMII can be either 1000BASE-X or SGMII, if the QSGMII MAC that the VSC8575-11 is connecting to supports this functionality. To configure the device for QSGMII MAC mode, set register 19G, bits 15:14 = 01. In addition, set register 18G as desired. The device also supports SGMII MAC-side autonegotiation on each individual port and is enabled through register 16E3, bit 7, of that port.

Figure 16 • QSGMII MAC Interface



### 3.3 SerDes Media Interface

The VSC8575-11 device SerDes media interface performs data serialization and deserialization functions using an integrated SerDes block in the SerDes media interface. The interface operates at 1.25 Gbps speed, providing full-duplex and half-duplex for 10/100/1000 Mbps bandwidth that can connect directly to 100BASE-FX/1000BASE-X-compliant optical devices as well as to 10/100/1000BASE-T copper SFP devices. The interface also provides support for unidirectional transport as defined in IEEE 802.3-2008, Clause 66. The SerDes interface has the following operating modes:

- QSGMII/SGMII to 1000BASE-X
- QSGMII/SGMII to 100BASE-FX
- QSGMII/SGMII to SGMII/1000BASE-X protocol transfer

The SerDes media block has the termination resistor integrated into the device. A software reset through register 0, bit 15 is required when changing operating modes between 100BASE-FX and 1000BASE-X.

#### 3.3.1 QSGMII/SGMII to 1000BASE-X

The 1000BASE-X SerDes media in QSGMII/SGMII mode supports IEEE 802.3 Clause 36 and Clause 37, which describe 1000BASE-X fiber autonegotiation. In this mode, control and status of the SerDes media is displayed in the VSC8575-11 device registers 0 through 15 in a manner similar to what is described in IEEE 802.3 Clause 28. In this mode, connected copper SFPs can only operate at 1000BASE-T speed. A link in this mode is established using autonegotiation (enabled or disabled) between the PHY and the link partner. To configure the PHY in this mode, set register 23, bits 10:8 = 010. To configure 1000BASE-X autonegotiation for this mode, set register 0, bit 12. Setting this mode and configurations can be performed individually on each of the four ports. Ethernet packet generator (EPG), cyclical redundancy check (CRC) counters, and loopback modes are supported in 1000BASE-X mode.

#### 3.3.2 QSGMII/SGMII to 100BASE-FX

The VSC8575-11 supports 100BASE-FX communication speed for connecting to fiber modules such as GBICs and SFPs. This capability is facilitated by using the connections on the SerDes pins when connected to a MAC through QSGMII/SGMII. Ethernet packet generator (EPG), cyclical redundancy check (CRC) counters, and loopback modes are supported in the 100BASE-FX mode. Setting this mode and configurations can be performed individually on each of the four ports. To configure the PHY in this mode, set register 23, bits 10:8 = 011.

#### 3.3.3 QSGMII to SGMII Protocol Conversion

QSGMII to SGMII (protocol transfer) mode is a feature that links a fiber module or triple speed 10/100/1000-T copper SFP to the QSGMII MAC through the VSC8575-11 device. SGMII can be converted to QSGMII with protocol conversion using this mode.

To configure the PHY in this mode, set register 23, bits 10:8 = 001. To establish the link, assert the relevant signal detect pins.

All relevant LED modes are supported except for collision, duplex, and autonegotiation fault. The triple-speed copper SFP's link status and data type plugged into the port can be indicated by the PHY's LEDs. Setting this particular mode and configuration can be performed individually on each of the four ports within a QSGMII grouping.

### 3.3.4 Unidirectional Transport for Fiber Media

The VSC8575-11 device supports IEEE 802.3ah for unidirectional transport across its 1000BASE-X and 100BASE-FX fiber media. This feature enables transmission across fiber media, regardless of whether or not the PHY has determined that a valid link has been established (register 1, bit 2). The only valid operating modes for unidirectional fiber mode are 100BASE-FX or 1000BASE-X fiber media.

To enable this feature, set register 0, bit 5 to 1. For status of the unidirectional ability, read register 1, bit 7.

**Note:** Automatic media sensing does not work with this feature. In addition, because unidirectional fiber media must have autonegotiation disabled, SGMII autonegotiation must also be disabled (register 16E3, bit 7 = 0).

## 3.4 PHY Addressing and Port Mapping

This section contains information about PHY addressing and port mapping.

### 3.4.1 PHY Addressing

The VSC8575-11 includes four external PHY address pins, PHYADD[4:1], to allow control of multiple PHY devices on a system board sharing a common management bus. These pins, with the physical address of the PHY, form the PHY address port map. The equation  $[(\text{PHYADD}[4:1], 1'b0) + \text{physical address of the port (0 to 3)}]$ , and the setting of PHY address reversal bit in register 20E1, bit 9, determine the PHY address.

### 3.4.2 SerDes Port Mapping

The VSC8575-11 includes seven 1.25 GHz SerDes macros and one 5 GHz enhanced SerDes macro. Three of the seven SerDes macros are configured as SGMII MAC interfaces and the remaining four are configured as 1000BASE-X/100BASE-FX SerDes media interfaces. The enhanced SerDes macro can be configured as either a QSGMII MAC interface or the fourth SGMII MAC interface. The following table shows the different operating modes based on the settings of register 19G, bits 15:14.

**Table 2 • MAC Interface Mode Mapping**

| 19G[15:14] | Operating Mode |
|------------|----------------|
| 00         | SGMII          |
| 01         | QSGMII         |
| 10         | Reserved       |
| 11         | Reserved       |

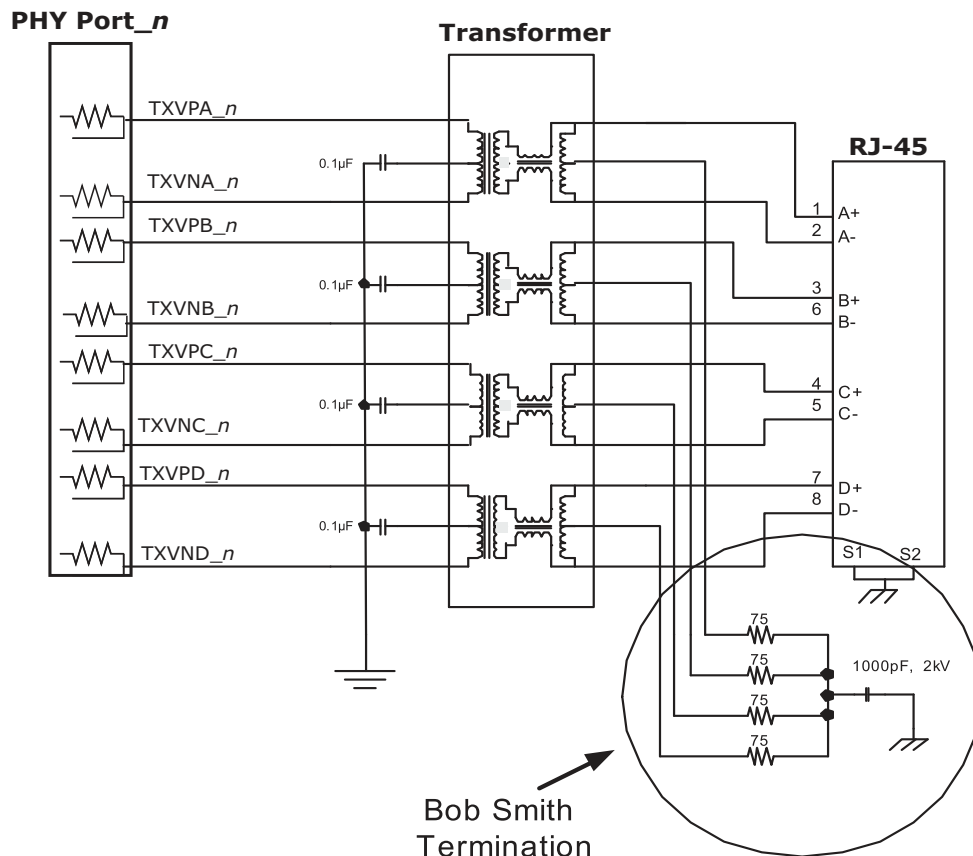
## 3.5 Cat5 Twisted Pair Media Interface

The VSC8575-11 twisted pair interface is compliant with IEEE 802.3-2008 and the IEEE 802.3az-2010 standard for energy efficient Ethernet.

### 3.5.1 Voltage Mode Line Driver

Unlike many other gigabit PHYs, the VSC8575-11 uses a patented voltage mode line driver that allows it to fully integrate the series termination resistors, which are required to connect the PHY's Cat5 interface to an external 1:1 transformer. Also, the interface does not require the user to place an external voltage on the center tap of the magnetic. The following illustration shows the connections.

Figure 17 • Cat5 Media Interface



### 3.5.2 Cat5 Autonegotiation and Parallel Detection

The VSC8575-11 supports twisted pair autonegotiation, as defined by IEEE 802.3-2008 Clause 28 and IEEE 802.3az-2010. The autonegotiation process evaluates the advertised capabilities of the local PHY and its link partner to determine the best possible operating mode. In particular, autonegotiation can determine speed, duplex configuration, and master or slave operating modes for 1000BASE-TX. Autonegotiation also enables a connected MAC to communicate with its link partner MAC through the VSC8575-11 using optional next pages, which set attributes that may not otherwise be defined by the IEEE standard.

If the Category 5 (Cat5) link partner does not support autonegotiation, the VSC8575-11 automatically uses parallel detection to select the appropriate link speed.

Autonegotiation is disabled by clearing register 0, bit 12. When autonegotiation is disabled, the state of register bits 0.6, 0.13, and 0.8 determine the device operating speed and duplex mode.

**Note:** While 10BASE-T and 100BASE-TX do not require autonegotiation, Clause 40 has defined 1000BASE-T to require autonegotiation.

### 3.5.3 Automatic Crossover and Polarity Detection

For trouble-free configuration and management of Ethernet links, the VSC8575-11 includes a robust automatic crossover detection feature for all three speeds on the twisted pair interface (10BASE-T, 100BASE-T, and 1000BASE T). Known as HP Auto-MDIX, the function is fully compliant with Clause 40 of IEEE 802.3-2008.

Additionally, the device detects and corrects polarity errors on all MDI pairs — a useful capability that exceeds the requirements of the standard.

Both HP Auto-MDIX detection and polarity correction are enabled in the device by default. Default settings can be changed using device register bits 18.5:4. Status bits for each of these functions are located in register 28.

**Note:** The VSC8575-11 can be configured to perform HP Auto-MDIX, even when autonegotiation is disabled and the link is forced into 10/100 speeds. To enable this feature, set register 18.7 to 0. To use the feature, also set register 0.12 to 0.

The HP Auto-MDIX algorithm successfully detects, corrects, and operates with any of the MDI wiring pair combinations listed in the following table, which shows that twisted pair A (of four twisted pairs A, B, C, and D) is connected to the RJ45 connector 1,2 in normal MDI mode.

**Table 3 • Supported MDI Pair Combinations**

| RJ45 Connections |      |      |      |   |
|------------------|------|------|------|---|
| 1, 2             | 3, 6 | 4, 5 | 7, 8 | Mode  |
| A                | B    | C    | D    | Normal MDI                                  |
| B                | A    | D    | C    | Normal MDI-X                                |
| A                | B    | D    | C    | Normal MDI with pair swap on C and D pair   |
| B                | A    | C    | D    | Normal MDI-X with pair swap on C and D pair |

### 3.5.4 Manual MDI/MDIX Setting

As an alternative to HP Auto-MDIX detection, the PHY can be forced to be MDI or MDI-X using register 19E1, bits 3:2. Setting these bits to 10 forces MDI and setting 11 forces MDI-X. Leaving the bits 00 enables the HP Auto-MDIX setting to be based on register 18, bits 7 and 5.

### 3.5.5 Link Speed Downshift

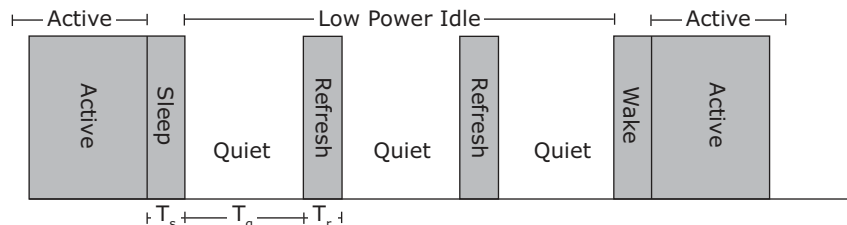
For operation in cabling environments that are incompatible with 1000BASE-T, the VSC8575-11 provides an automatic link speed downshift option. When enabled, the device automatically changes its 1000BASE-T autonegotiation advertisement to the next slower speed after a set number of failed attempts at 1000BASE-T. No reset is required to get out of this state when a subsequent link partner with 1000BASE-T support is connected. This feature is useful in setting up in networks using older cable installations that include only pairs A and B, and not pairs C and D.

To configure and monitor link speed downshifting, set register 20E1, bits 4:1. For more information, see Table 73, page 121.

### 3.5.6 Energy Efficient Ethernet

The VSC8575-11 supports the IEEE 802.3az-2010 Energy Efficient Ethernet standard. This standard provides a method for reducing power consumption on an Ethernet link during times of low utilization. It uses low power idles (LPI) to achieve this objective.

**Figure 18 • Low Power Idle Operation**



Using LPI, the usage model for the link is to transmit data as fast as possible and then return to a low power idle state. Energy is saved on the link by cycling between active and low power idle states. During LPI, power is reduced by turning off unused circuits and using this method, energy use scales with bandwidth utilization.

The VSC8575-11 uses LPI to optimize power dissipation in 100BASE-TX and 1000BASE-T modes of operation. In addition, the IEEE 802.3az-2010 standard defines a 10BASE-Te mode that reduces transmit signal amplitude from 5 V peak-to-peak to approximately 3.3 V peak-to-peak. This mode reduces power consumption in 10 Mbps link speed and fully interoperates with legacy 10BASE-T compliant PHYs over 100 m Cat5 cable or better.

To configure the VSC8575-11 in 10BASE-Te mode, set register 17E2.15 to 1 for each port. Additional energy efficient Ethernet features are controlled through Clause 45 registers. For more information, see [Clause 45 Registers to Support Energy Efficient Ethernet and 802.3bf](#), page 150.

### 3.5.7 Ring Resiliency

Ring resiliency changes the timing reference between the master and slave PHYs without altering the master/slave configuration in 1000BASE-T mode. The master PHY transmitter sends data based on the local clock and initiates timing recovery in the receiver. The slave PHY instructs the node to switch the local timing reference to the recovered clock from other PHYs in the box, freezes timing recovery, and locks clock frequency for the transmitter. The master PHY makes a smooth transition to transmission from local clock to recovered clock after timing lock is achieved.

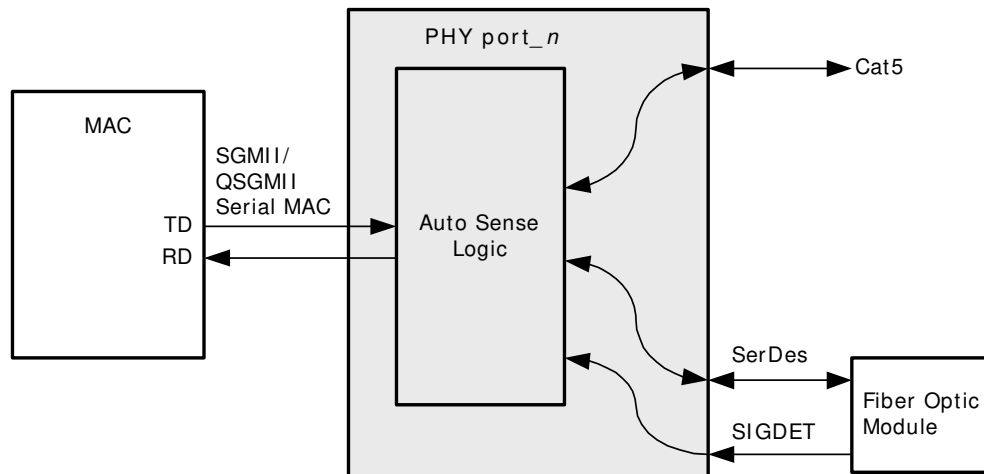
Ring resiliency can be used in synchronous Ethernet systems, because the local clocks in each node are synchronized to a grandmaster clock.

**Note:** For ring resiliency to successfully exchange master/slave timing over 1000BASE-T, the link partner must also support ring resiliency.

## 3.6 Automatic Media Sense Interface Mode

Automatic media sense (AMS) mode automatically sets the media interface to Cat5 mode or SerDes mode. The active media mode chosen is based on the automatic media sense preferences set in the device register 23, bit 11. The following illustration shows a block diagram of AMS functionality on ports 0 through 3 of the VSC8575-11 device.

**Figure 19 • Automatic Media Sense Block Diagram**



When both the SerDes and Cat5 media interfaces attempt to establish a link, the preferred media interface overrides a linkup of the non-preferred media interface. For example, if the preference is set for SerDes mode and Cat5 media establishes a link, Cat5 becomes the active media interface. However, after the SerDes media interface establishes a link, the Cat5 interface drops its link because the preference was set for SerDes mode. In this scenario, the SerDes preference determines the active media source until the SerDes link is lost. Also, Cat5 media cannot link up unless there is no SerDes



media link established. The following table shows the possible link conditions based on preference settings.

**Table 4 • AMS Media Preferences**

| Preference Setting | Cat5 Linked, Fiber Not Linked | SerDes Linked, Cat5 Not Linked | Cat5 Linked, SerDes Attempts to Link | SerDes Linked, Cat5 Attempts to Link | Both Cat5 and SerDes Attempt to Link |
|--------------------|-------------------------------|--------------------------------|--------------------------------------|--------------------------------------|--------------------------------------|
| SerDes             | Cat5                          | SerDes                         | SerDes                               | SerDes                               | SerDes                               |
| Cat5               | Cat5                          | SerDes                         | Cat5                                 | Cat5                                 | Cat5                                 |

The status of the media mode selected by the AMS can be read from device register 20E1, bits 7:6. It indicates whether copper media, SerDes media, or no media is selected. Each PHY has four automatic media sense modes. The difference between the modes is based on the SerDes media modes:

- SGMII or QSGMII MAC to AMS and 1000BASE-X SerDes
- SGMII or QSGMII MAC to AMS and 100BASE-FX SerDes
- SGMII or QSGMII MAC to AMS and SGMII (protocol transfer)

For more information about SerDes media mode functionality with AMS enabled, see [SerDes Media Interface](#), page 13.

## 3.7 Reference Clock

The device reference clock supports both 25 MHz and 125 MHz clock signals. The IEEE 1588 differential input clock supports frequencies of 125 MHz to 250 MHz. Both reference clocks can be either differential or single-ended. If differential, they must be capacitively coupled and LVDS compatible.

### 3.7.1 Configuring the Reference Clock

The REFCLK\_SEL2 pin configures the reference clock speed. The following table shows the functionality and associated reference clock frequency.

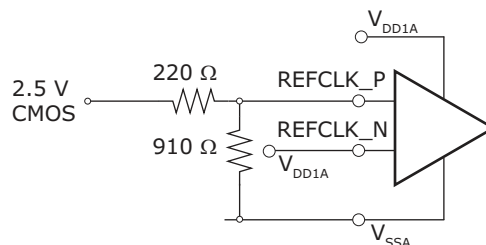
**Table 5 • REFCLK Frequency Selection**

| REFCLK_SEL2 | Frequency |
|-------------|-----------|
| 0           | 25 MHz    |
| 1           | 125 MHz   |

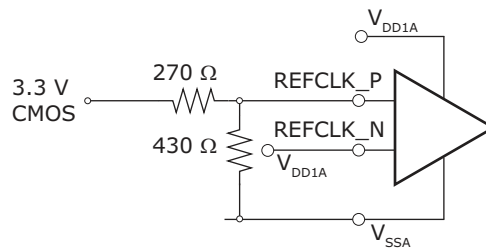
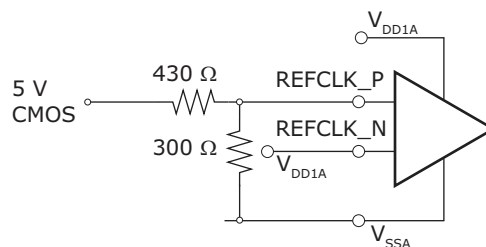
### 3.7.2 Single-Ended REFCLK Input

To use a single-ended reference clock, an external resistor network is required. The purpose of the network is to limit the amplitude and to adjust the center of the swing. The configurations for a single-ended REFCLK, with the clock centered at 1 V and a 500 mV peak-to-peak swing, are shown in the following illustrations.

**Figure 20 • 2.5 V CMOS Single-Ended REFCLK Input Resistor Network**



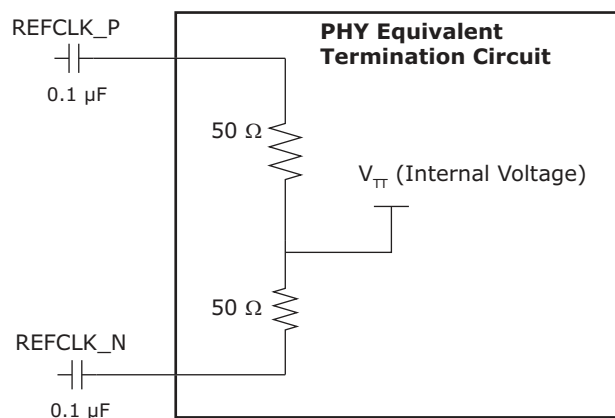


**Figure 21 • 3.3 V CMOS Single-Ended REFCLK Input Resistor Network**

**Figure 22 • 5 V CMOS Single-Ended REFCLK Input Resistor Network**


**Note:** A single-ended 25 MHz reference clock is not guaranteed to meet requirements for QSGMII MAC operation.

### 3.7.3 Differential REFCLK Input

AC coupling is required when using a differential REFCLK. Differential clocks must be capacitively coupled and LVDS-compatible. The following illustration shows the configuration.

**Figure 23 • AC Coupling for REFCLK Input**


## 3.8 IEEE 1588 Reference Clock

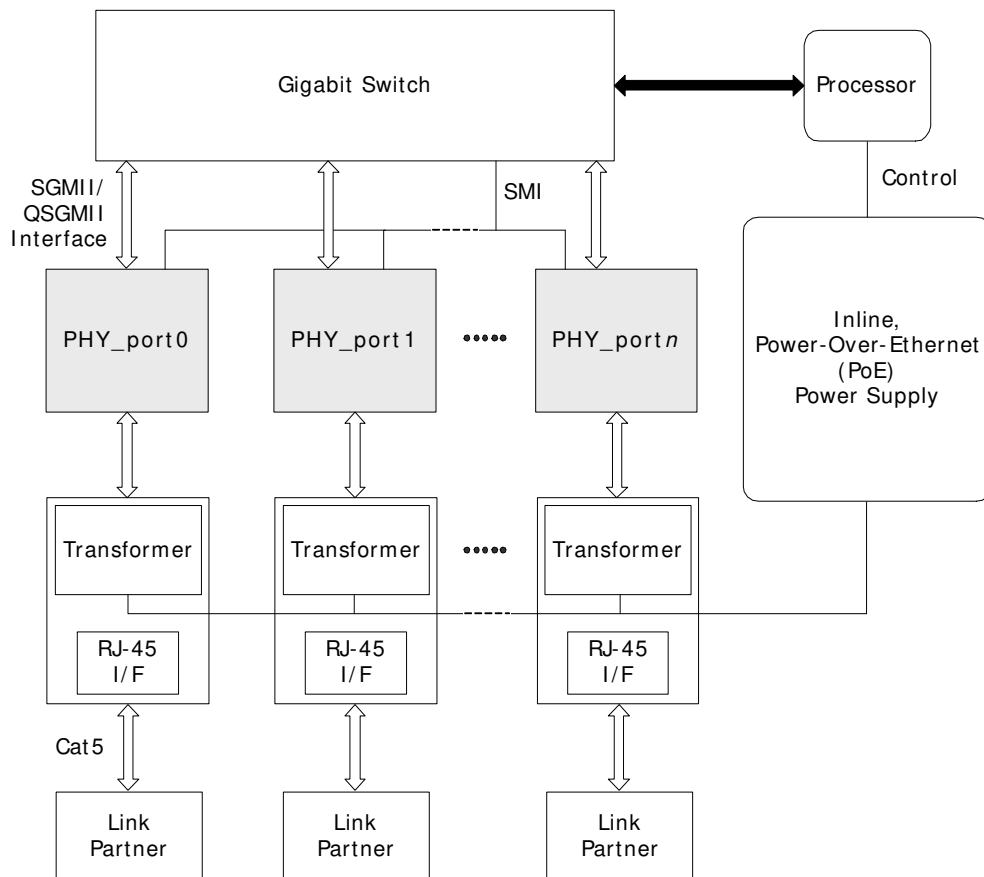
The device IEEE 1588 reference clock input supports a continuum of frequencies between 125 MHz and 250 MHz. Both single-ended and differential clocks are supported, but differential clocks are preferred for better performance. If differential, they must be capacitively coupled and LVDS compatible. For more information about configuring the clock for single-ended operation, see [Reference Clock](#), page 18.

## 3.9 Ethernet Inline Powered Devices

The VSC8575-11 can detect legacy inline powered devices in Ethernet network applications. Inline powered detection capability is useful in systems that enable IP phones and other devices (such as wireless access points) to receive power directly from their Ethernet cable, similar to office digital phones receiving power from a private branch exchange (PBX) office switch over telephone cabling. This type of setup eliminates the need for an external power supply and enables the inline powered device to remain active during a power outage, assuming that the Ethernet switch is connected to an uninterrupted power supply, battery, back-up power generator, or other uninterruptible power source.

For more information about legacy inline powered device detection, visit the Cisco Web site at [www.cisco.com](http://www.cisco.com). The following illustration shows an example of an inline powered Ethernet switch application.

**Figure 24 • Inline Powered Ethernet Switch Diagram**



The following procedure describes the process that an Ethernet switch must perform to process inline power requests made by a link partner (LP) that is, in turn, capable of receiving inline power:

1. Enable the inline powered device detection mode on each VSC8575-11 PHY using its serial management interface. Set register bit 23E1.10 to 1.
2. Ensure that the VSC8575-11 autonegotiation enable bit (register 0.12) is also set to 1. In the application, the device sends a special fast link pulse (FLP) signal to the LP. Reading register bit 23E1.9:8 returns 00 during the search for devices that require power over Ethernet (PoE).
3. The VSC8575-11 PHY monitors its inputs for the FLP signal looped back by the LP. An LP capable of receiving PoE loops back the FLP pulses when the LP is in a powered down state. This is reported when VSC8575-11 register bit 23E1.9:8 reads back 01. It can also be verified as an inline power detection interrupt by reading VSC8575-11 register bit 26.9, which should be a 1, and which is subsequently cleared and the interrupt de-asserted after the read. When an LP device does not loop back the FLP after a specific time, VSC8575-11 register bit 23E1.9:8 automatically resets to 10.
4. If the VSC8575-11 PHY reports that the LP requires PoE, the Ethernet switch must enable inline power on this port, externally of the PHY.
5. The PHY automatically disables inline powered device detection when the VSC8575-11 register bits 23E1.9:8 automatically reset to 10, and then automatically changes to its normal autonegotiation process. A link is then autonegotiated and established when the link status bit is set (register bit 1.2 is set to 1).
6. In the event of a link failure (indicated when VSC8575-11 register bit 1.2 reads 0), it is recommended that the inline power be disabled to the inline powered device external to the PHY. The VSC8575-11 PHY disables its normal autonegotiation process and re-enables its inline powered device detection mode.

### 3.10 IEEE 802.3af PoE Support

The VSC8575-11 device is compatible with designs that are intended for use in systems that supply power to data terminal equipment (DTE) by means of the MDI or twisted pair cable, as described in IEEE 802.3af Clause 33.

### 3.11 ActiPHY Power Management

In addition to the IEEE-specified power-down control bit (device register bit 0.11), the device also includes an ActiPHY power management mode for each PHY. This mode enables support for power-sensitive applications. It utilizes a signal-detect function that monitors the media interface for the presence of a link to determine when to automatically power-down the PHY. The PHY wakes up at a programmable interval and attempts to wake up the link partner PHY by sending a burst of FLP over copper media.

The ActiPHY power management mode in the VSC8575-11 is enabled on a per-port basis during normal operation at any time by setting register bit 28.6 to 1.

The following operating states are possible when ActiPHY mode is enabled:

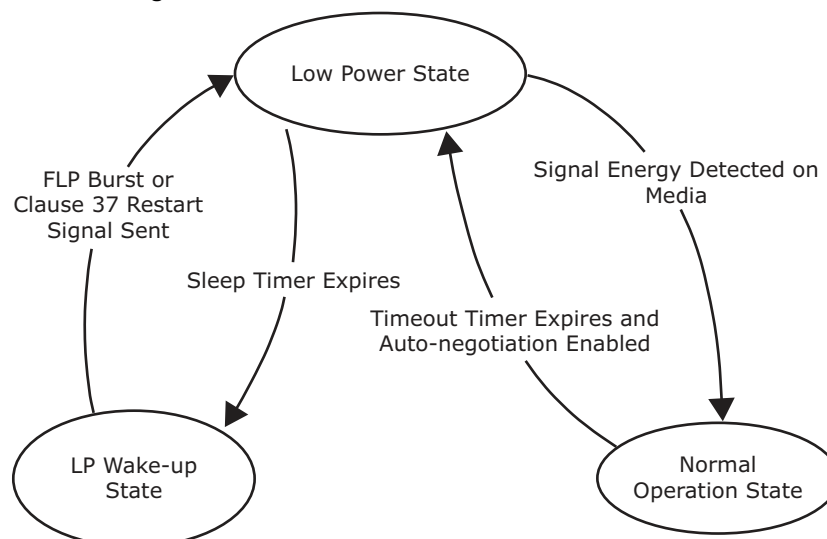
- Low power state
- Link partner wake-up state
- Normal operating state (link-up state)

The VSC8575-11 switches between the low power state and LP wake-up state at a programmable rate (the default is two seconds) until signal energy has been detected on the media interface pins. When signal energy is detected, the PHY enters the normal operating state. If the PHY is in its normal operating state and the link fails, the PHY returns to the low power state after the expiration of the link status time-out timer. After reset, the PHY enters the low power state.

When autonegotiation is enabled in the PHY, the ActiPHY state machine operates as described. When autonegotiation is disabled and the link is forced to use 10BASE-T or 100BASE-TX modes while the PHY is in its low power state, the PHY continues to transition between the low power and LP wake-up states until signal energy is detected on the media pins. At that time, the PHY transitions to the normal operating state and stays in that state even when the link is dropped. When autonegotiation is disabled while the PHY is in the normal operation state, the PHY stays in that state when the link is dropped and does not transition back to the low power state.

The following illustration shows the relationship between ActiPHY states and timers.

**Figure 25 • ActiPHY State Diagram**



### 3.11.1 Low Power State

In the low power state, all major digital blocks are powered down. However, the SMI interface (MDC, MDIO, and MDINT) functionality is provided.

In this state, the PHY monitors the media interface pins for signal energy. The PHY comes out of low power state and transitions to the normal operating state when signal energy is detected on the media. This happens when the PHY is connected to one of the following:

- Autonegotiation-capable link partner
- Another PHY in enhanced ActiPHY LP wake-up state

In the absence of signal energy on the media pins, the PHY periodically transitions from low-power state to LP wake-up state, based on the programmable sleep timer (register bits 20E1.14:13). The actual sleep time duration is randomized from –80 ms to 60 ms to avoid two linked PHYs in ActiPHY mode entering a lock-up state during operation.

### 3.11.2 Link Partner Wake-Up State

In the link partner wake-up state, the PHY attempts to wake up the link partner. Up to three complete FLP bursts are sent on alternating pairs A and B of the Cat5 media for a duration based on the wake-up timer, which is set using register bits 20E1.12:11.

In this state, SMI interface (MDC, MDIO, and MDINT) functionality is provided.

After sending signal energy on the relevant media, the PHY returns to the low power state.

### 3.11.3 Normal Operating State

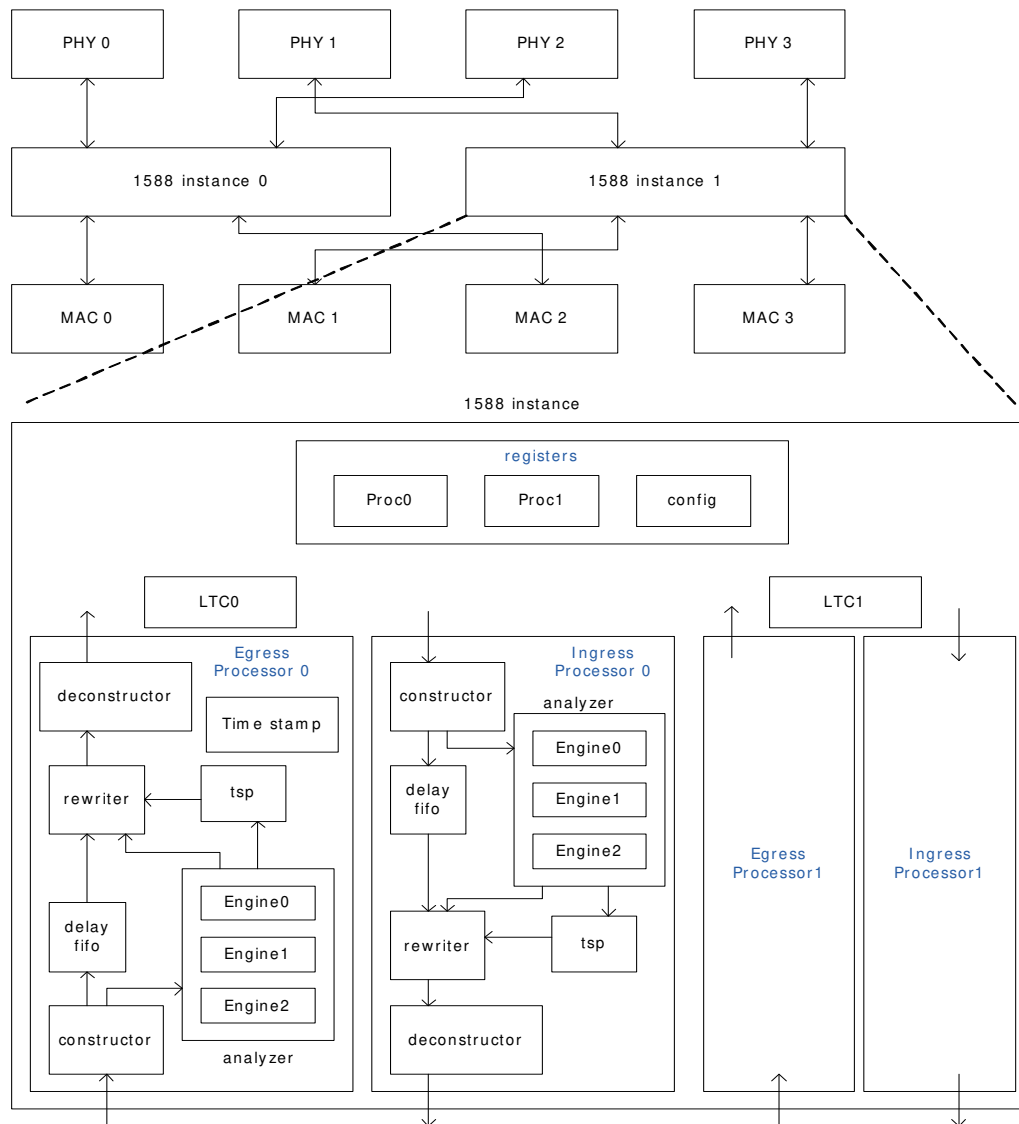
In the normal operating state, the PHY establishes a link with a link partner. When the media is unplugged or the link partner is powered down, the PHY waits for the duration of the programmable link status time-out timer, which is set using register bit 28.7 and bit 28.2. It then enters the low power state.

## 3.12 IEEE 1588 Block Operation

The VSC8575-11 device uses a second generation IEEE 1588 engine that is backward compatible with the earlier version of VeriTime™ (the Microsemi IEEE 1588 time stamping engine). It is also compatible with the IEEE 1588 operations supported in Microsemi CE switches. The following list shows the new features of the Microsemi second generation IEEE 1588.

- Increased time stamp accuracy and resolution
- Auto clear enables after system time is read or written
- Ability to load or extract the current system time in serial format
- Full 48-bit math support for incoming correction field
- Ability to add or subtract fixed offset from system time to synchronize between slaves
- Each direction of IEEE 1588 can be independently controlled and bypassed
- Support to extract frame signature in an IPv6 frame
- MPLS-TP OAM support in third analyzer engine
- Special mode where all frames traversing the system can be time stamped

The second generation IEEE 1588 block provides the lowest latency and maximum throughput on the channel. The following illustration shows a block diagram of the IEEE 1588 architecture in the VSC8575-11 device.

**Figure 26 • IEEE 1588 Architecture**

The following sections list some of the major IEEE 1588 applications.

### 3.12.1 IEEE 1588 Block

The IEEE 1588 engine may be configured to support one-step and two-step clocks as well as Ethernet and MPLS OAM delay measurement. It detects the IEEE 1588 frames in both the Rx and Tx paths, creates a time stamp, processes the frame, and updates them. It can add a 30/32-bit Rx time stamp to the 4-bytes reserved field of the PTP packet. It can also modify the IEEE 1588 correction field and update the CRC of changed frames. There are local time counters (reference for all time stamps) that can be preloaded and adjusted through the register interface.

A local time counter is used to hold the local time for Rx and Tx paths. A small FIFO delays frames to allow time for processing and modification. An analyzer detects the time stamp frames (PTP and OAM) and a time stamp block calculates the new correction field. The rewriter block replaces the correction field with an updated one and checks/calculates the CRC. For the Tx path, a time stamp FIFO saves Tx event time stamp plus frame identifier for use in some modes.

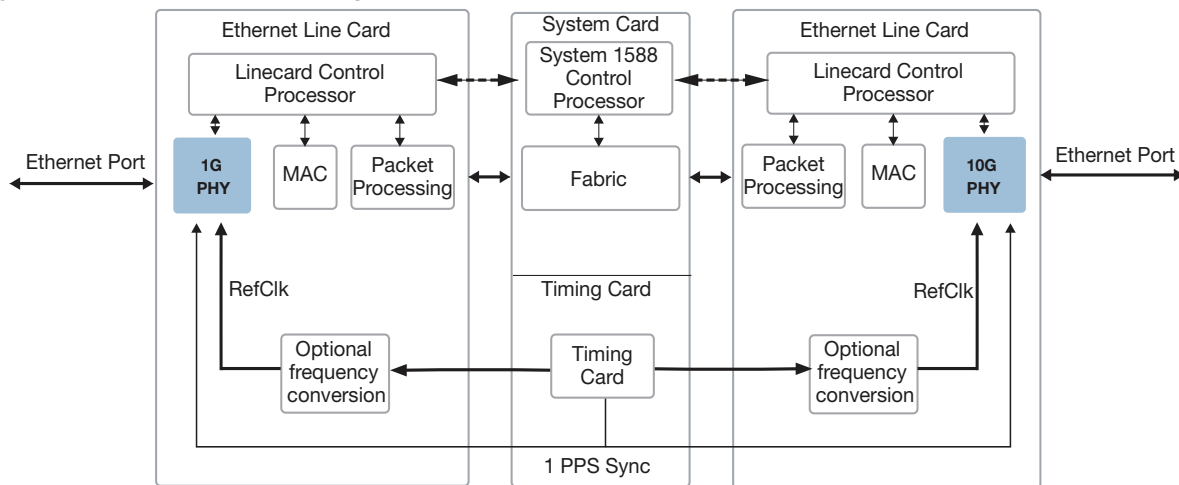
The IEEE 1588 engine's registers and time stamps are accessible through the MDIO or 4-pin SPI. To overcome the MDIO or 4-pin SPI speed limitations, the dedicated "push-out" style SPI output bus can be used for faster or large amounts of time stamp reads. This SPI output is used to push out time stamp

information to an external device only and does not provide read/write to the registers of the IEEE 1588 engine or registers of other blocks in the VSC8575-11 device. In addition, there is a LOAD/SAVE pin that is used to load the time in the PHYs and ensure that all the PHYs are in sync. The local time counter may come from any one of the following sources:

- Data path clock (varies according to mode)
- 250 MHz from host side PLL
- External clock from 1588\_DIFF\_INPUT\_CLK\_P/N pins

The local time counters contain two counters: nanosecond\_counter and second\_counter. The 1 PPS (pulse per second signal) output pin can be used for skew monitoring and adjustment. The following illustration shows an overview of a typical system using IEEE 1588 PHYs. The LOAD/SAVE and 1 PPS pins are signals routed to the GPIO pins. The following illustration shows how the PHY is embedded in a system.

**Figure 27 • IEEE 1588 Block Diagram**



The system card has to drive the REFCLK (125 MHz or 250 MHz timetick clock) to all the PHYs, including the VSC8575-11 device. The system clock may need local frequency conversion to match the required reference clock frequency. The system clock may be locked to a PRC by SyncE or by IEEE 1588. If locked by IEEE 1588, the central CPU recovers the PTP timing and adjusts the frequency of the system clock to match the PTP frequency. If the system clock is free running, the central CPU must calculate the frequency offset between the system clock and the synchronized IEEE 1588 clock and program the PHYs to make internal adjustments.

Other than the clock, the system card also provides a sync pulse to all PHYs, including the VSC8575-11 device, to the LOAD/SAVE pin. This signal is used to load the time to the PHYs and to ensure that all the PHYs are in sync. This may just be a centrally divided down system clock that gives a pulse at fixed time intervals. The delay from the source of the signal to each PHY must be known and taken into account when writing in the load time in the PHYs.

The VSC8575-11 device supports a vast variety of IEEE 1588 applications. In simple one-step end-to-end transparent clock applications, the VSC8575-11 device can be used without any central CPU involvement except for initial configuration. The IEEE 1588 block inside the VSC8575-11 device forwards Sync and Delay\_req frames with automatic updates to the Correction field.

In other applications, the VSC8575-11 device enhances the performance by working with a central processor that runs the IEEE 1588 protocol. The VSC8575-11 device performs the accurate time stamp operations needed for all the different PTP operation modes. For example, at startup in a boundary clock application, the central CPU receives PTP sync frames that are time stamped by the ingress PHY and recovers the local time offset from the PTP master using the PTP protocol. It then sets the save bit in the VSC8575-11 device connected to the PTP master and later reads the saved time. The central CPU loads the expected time (time of the next LOAD/SAVE pulse, corrected by the offset to the recovered PTP time) into the PHY and sets the save bit. It checks that the time offset is 0. If not, it makes small adjustments to the time in the PHY by issuing add 1 ns or subtract 1 ns commands to the VSC8575-11

device through MDIO, until the time matches the PTP master. A save command is issued to the PHY connected to the PTP master and reads the saved time. The central CPU then writes the saved time plus the sync pulse interval plus any sync pulse latency variation (trace length difference compared to the PHY connected to the PTP master) to the other PHYs and sets the load bit in these VSC8575-11 devices.

The preceding sequence may be completed in several steps. Not all PHYs need to be loaded at once. The central CPU sets the save bit in all PHYs and reads back the values. They should all save the same value.

The central CPU continuously detects if the system time drifts off compared to the recovered PTP time. If needed, it can adjust each PHY for any known skew between PHYs without affecting the operation of the device. It can program the PHYs, including the VSC8575-11 device, to automatically add 1 ns or subtract 1 ns at specific time intervals.

### 3.12.2 IEEE 1588 One-Step E2E TC in Systems

Unique advantages for implementing IEEE 1588-2008 include:

- When several VSC8575-11 devices or Microsemi PHYs with integrated IEEE 1588 time stamping blocks are used on all ports within the system that support IEEE 1588 one-step E2E TC, the rest of the system does not need to be IEEE 1588 aware and there is no CPU maintenance needed once the system is set up
- As all the PHYs in a system can be configured the same way, it supports fail-over of IEEE 1588 masters without any CPU intervention
- VSC8575-11 and other Microsemi PHYs with integrated IEEE 1588 time stamping blocks also work for pizza box solutions, where the switch/router can be upgraded to support IEEE 1588 E2E TC

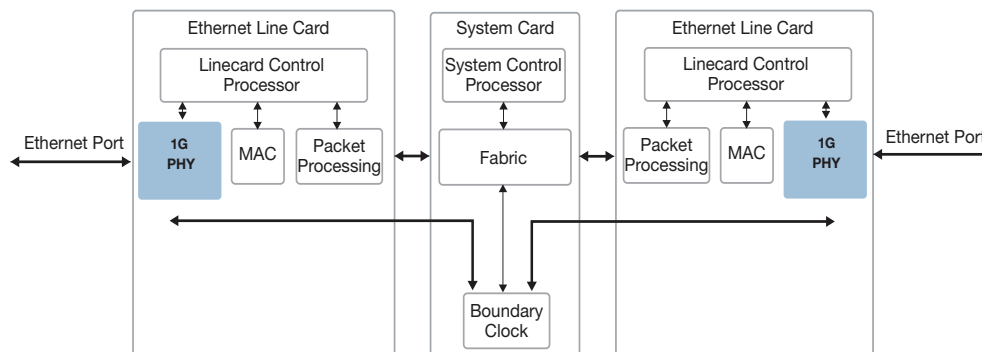
Requirements for the rest of the system are:

- Delivery of a synchronous global timetick clock (or reference clock) to the PHYs
- Delivery of a global timetick load pulse, that synchronizes the local time counters in each port.
- CPU access to each PHY to set up the required configuration. Can be MDC/MDIO or a dedicated CPU interface.

### 3.12.3 IEEE 1588 TC and BC in Systems

This is the same system as described previously, with the addition of a central IEEE 1588 engine (Boundary Clock). The IEEE 1588 engine is most likely a CPU system, possibly together with hardware support functions to generate Sync frames (for BC and ordinary clock masters). The switch/fabric needs to have the ability to redirect (and copy) PTP frames to the IEEE 1588 engine for processing.

**Figure 28 • TC and BC Linecard Application**



This solution also works for pizza boxes. To ensure that blade redundancy works, it the PHYs for the redundant blades must have the same 1588-in-the-PHY configuration.

Requirements for the rest of the system are:

- Delivery of a synchronous global timetick clock (or reference clock) to the PHYs
- Delivery of a global timetick load, that synchronizes the local time counters in each port



- CPU access to each PHY to set up the required configuration. For one-step support this can be MDC/MDIO. For two-step support, a higher speed CPU interface (such as the SPI) might be required (depending on the number of time stamps that are required to be read by the CPU). In blade systems it might be required to have a local CPU on the blade that collects the information and sends it to the central IEEE 1588 engine by means of the control plane or the data plane. In advanced MAC/Switch devices this might be an internal CPU
- Fabric must be able to detect IEEE 1588 frames and redirect them to the central IEEE 1588 engine

The same solution can also be used to add Y.1731 delay measurement support. This does not require a local CPU on the blade, but the fabric must be able to redirect OAM frames to a local/central OAM processor

### 3.12.4 Enhancing IEEE 1588 Accuracy for CE Switches and MACs

Connecting VSC8575-11 or other Microsemi PHYs that have integrated IEEE 1588 time stamping in front of the CE Switches and MACs improves the accuracy of the IEEE 1588 time stamp calculation. This is due to the clock boundary for the XAUI and SGMII/QSGMII interface. It will also add support for one-step TC and BC on the Jaguar-1 family of devices.

### 3.12.5 Supporting One-Step Boundary Clock/Ordinary Clock

In one-step boundary clock, the BC device acts as an ordinary clock slave on one port and as master on the other ports. On the master ports, Sync frames are transmitted from the IEEE 1588 engine that holds the Origin time stamp. These frames will have the correction field or the full Tx time stamp updated on the way out through the PHY.

Master ports also receive Delay\_req from the slaves and respond with Delay\_resp messages. The Delay\_req messages are time stamped on ingress through the PHY and the IEEE 1588 engine receives the Delay\_req frame and generates a Delay\_resp message. The Delay\_resp messages are not event messages and are passed through the PHY as any other frame.

The port configured as slave receives Sync frames from its master. The Sync frames have an Rx time stamp added in the PHY and forwarded to the IEEE 1588 engine.

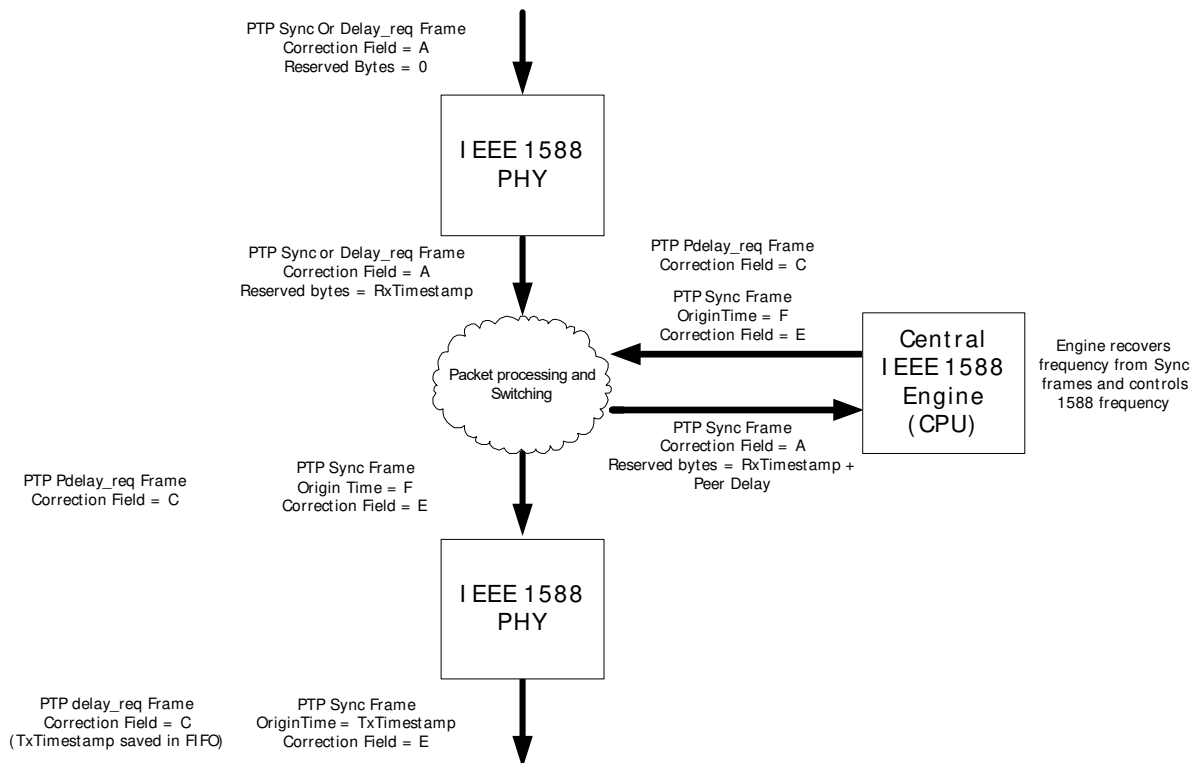
The IEEE 1588 engine also generates Delay\_req frames that are sent on the port configured as slave port. Normally the transmit time for the Delay\_req frames,  $t_3$ , is saved in a time stamp FIFO in the PHYs, but when using Microsemi IEEE 1588 PHYs, a slight modification can be made to the algorithm to remove the CPU processing overhead of reading the  $t_3$  time stamp.

To modify the algorithm, the IEEE 1588 engine should send the Delay\_req message with a software generated  $t_3$  value in the origin time stamp, the sub-second value of the  $t_3$  time stamp in the reserved bytes of the PTP header and a correction field of 0. The software generated  $t_3$  time stamp should be within a second before the actual  $t_3$  time. The Egress PHY should then be configured to perform E2E TC egress operation, meaning calculate the “residence time” from the inserted  $t_3$  time stamp to the actual  $t_3$  time and insert this value in the correction field of the frame. When the local IEEE 1588 engine receives the corresponding Delay\_resp frame back it can use the software generated  $t_3$  value because the correction field of the Delay\_resp frame contains a value that compensates for the actual  $t_3$  transmission time.

Boundary clocks and ordinary clocks must also reply to Pdelay\_req messages just as P2P TC using the same procedure for the P2P TC. For more information, see [Supporting One-Step Peer-to-Peer Transparent Clock](#), page 33.



Figure 29 • One-Step E2E BC



### 3.12.5.1 Ingress

Each time the PCS/PMA detects the start of a frame, it sends a pulse to the time stamp block, which saves the value of the Local\_Time received from the Local Time counter. In the time stamp block, the programmed value in the local\_correction register is subtracted from the saved time stamp. The local\_correction register is programmed with the fixed latency from the measurement point to the place that the start of frame is detected in the PCS/PMA logic. The time stamp block also contains a register that can be programmed with the known link asymmetry. This value is added or subtracted from the correction field, depending on the frame type.

When the frame leaves the PCS/PMA block, it is loaded into a small FIFO block that delays and stores the frame data for a few clock cycles to allow for later modifications of the frame. The data is also copied to the analyzer block that parses the incoming frame to detect whether it is an IEEE 1588 Sync or Delay\_req frame belonging to the PTP domain that the system is operating on. If so, it signals to the ingress time stamp block in the PHY which action to perform (Write). It also delivers the write offset and data size (location of the four reserved bytes in the PTP header, 4 bytes wide) to the rewriter block in the PHY.

If the analyzer detects that the frame is not matched, it signals to the time stamp block and the rewriter block to ignore the frame (NOP), which allows it to pass unmodified and flushes the saved time stamp in the time stamp block.

If the time stamp block gets the Write action, it delivers the value of the calculated time stamp for the frame to the rewriter block and the rewriter block adds this time stamp (ns part of it) to the four reserved bytes in the frame and recalculates FCS.

The rewriter block takes data out of the FIFO block continuously and feeds it to the system side PCS/PMA block using a counter to keep track of the byte positions of the frame. When the rewriter block receives a signal from the time stamp block to rewrite a specific position in the frame (that information comes from the analyzer block), it overwrites the position with the data from the time stamp block and replaces the FCS of the frame. The rewriter also checks the original FCS of the frame to ensure that a frame that is received with a bad FCS and then modified by the rewriter is also sent out with a bad FCS. This is achieved by inverting the new FCS. If the frame is an IPv4 frame the rewriter ensures that the IP

checksum is 0. If the frame is IPv6 the rewriter keeps track of the modifications done to the frame and modifies a couple of bytes placed at the end of the PTP frame (for this specific purpose) so that the IP checksum stays correct.

The following full calculations are performed:

- Sync frames:  $\text{Reserved\_bytes} = (\text{Raw\_Timestamp\_ns} - \text{Local\_correction})$  Correction field = Original Correction field + Asymmetry
- Delay\_req frames:  $\text{Reserved\_bytes} = (\text{Raw\_Timestamp\_ns} - \text{Local\_correction})$

### 3.12.5.2 Egress

When a frame is received from the system side PCS/PMA block it is loaded into a FIFO block that delays and stores the frame data for a few clock cycles to allow for later modifications of the frame. The data is also copied to the analyzer block that parses the incoming frame to detect whether it is an IEEE 1588 Sync or Delay\_req frame belonging to the PTP domain that the system is operating on.

If the egress analyzer of the PHY detects that the frame is an IEEE 1588 Sync frame belonging to the PTP domain(s) of the system, it signals to the egress time stamp block which action to perform (Write). It also delivers the write offset and data size (location of the Tx time stamp inside the frame, 10 bytes wide) to the rewriter.

If the egress analyzer detects that the frame is an IEEE 1588 Delay\_req frame belonging to the PTP domain(s) of the system, it signals to the time stamp block which action to perform (Write, Save). It also delivers the write offset and data size (location of the Tx time stamp inside the frame, 10 bytes wide) to the rewriter. It also outputs up to 16 bytes of frame identifier to the Tx time stamp FIFO, to be saved along with the Tx time stamp. The frame identifier bytes are selected information from the frame, configured in the analyzer.

If the time stamp block gets the (Write, Save) action, it delivers the calculated time stamp and signals to the time stamp FIFO block that it must save the time stamp along with the frame identifier data it received from the analyzer block.

The Tx time stamp FIFO block contains a buffer memory. It simply stores the Tx time stamp values that it receives from the time stamp block together with the frame identifier data it receives from the analyzer block and has a CPU interface that allows the IEEE 1588 engine to read out the time stamp sets (Frame identifier + New Tx time stamp).

The following full calculations are performed:

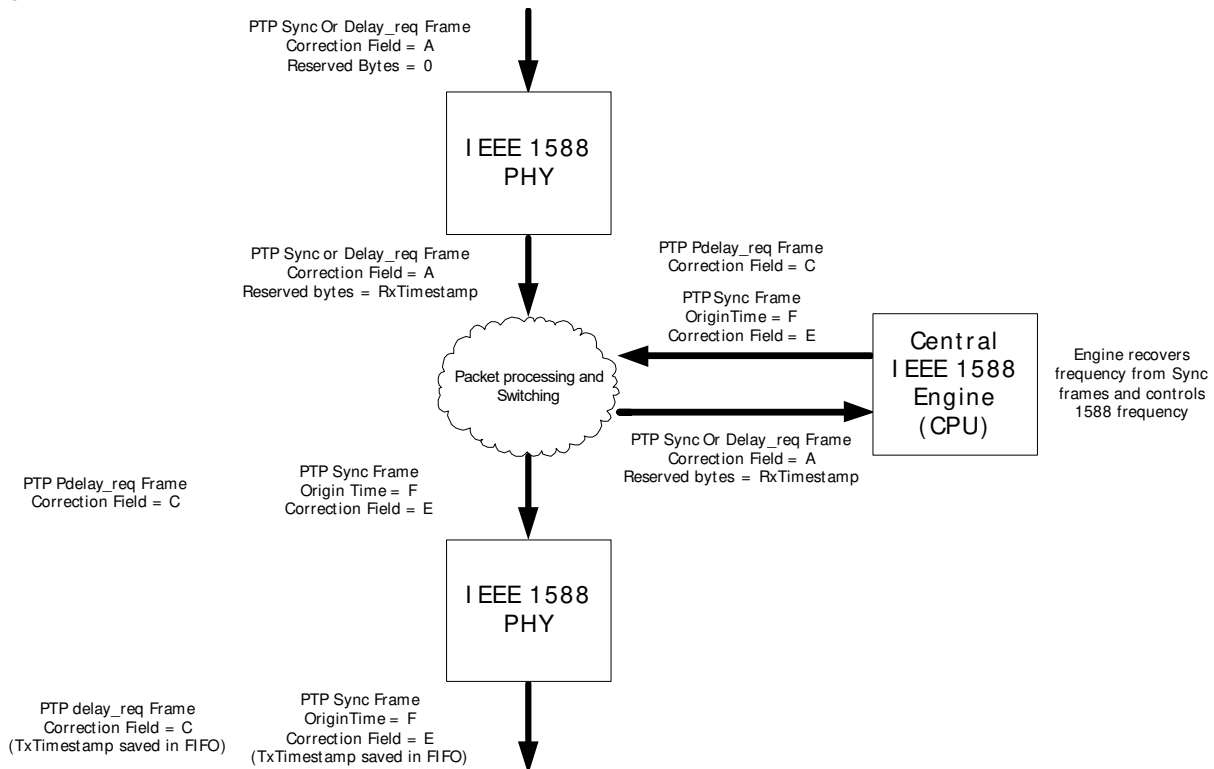
- Sync frames:  $\text{OriginTimestamp} = (\text{Raw\_Timestamp} + \text{Local\_correction})$
- Delay\_req frames:  $\text{OriginTimestamp} = (\text{Raw\_Timestamp} + \text{Local\_correction})$  Correction field = Original Correction field + Asymmetry

### 3.12.6 Supporting Two- Step Boundary/Ordinary Clock

Two-step clocks are used in systems that cannot update the correction field on-the-fly and this requires more CPU processing than one-step.

Each time a Tx time stamp is sent in a frame, the IEEE 1588 engine reads the actual Tx transmission time from the time stamp FIFO and issues a follow-up message containing this time stamp. Even though the VSC8575-11 device supports one-step operation, thereby eliminating the need to run in two-step mode, support for this mode is provided for networks that include two-step-only implementations.

Figure 30 • Two-Step E2E BC



### 3.12.6.1 Ingress

If the ingress analyzer in the PHY detects that the frame is an IEEE 1588 Sync or Delay\_req frame belonging to the PTP domain(s) of the system, it signals to the time stamp block which action to perform (Write). It also delivers the write offset and data size (location of the four reserved bytes in the PTP header, 4 bytes wide) to the rewriter.

If the time stamp block gets the Write action, it delivers the calculated time stamp to the rewriter block and the rewriter block adds this time stamp (ns part of it) to the four reserved bytes in the frame and recalculates FCS.

**Note:** When secure timing delivery is required, when using IPsec authentication for instance, the four reserved bytes must be reverted back to 0 before performing integrity check.

The following full calculations are performed:

- Sync frames: Reserved\_bytes = (Raw\_Timestamp – Local\_correction)  
Correction field = Original Correction field + Asymmetry
- Delay\_req frames: Reserved\_bytes = (Raw\_Timestamp – Local\_correction)

### 3.12.6.2 Egress

If the egress analyzer detects that the frame is an IEEE 1588 Sync or Delay\_req frame belonging to the PTP domain(s) of the system, it signals to the time stamp block which action to perform (Write, Save). The analyzer outputs up to 15 bytes of frame identifier to the Tx time stamp FIFO to be saved along with the Tx time stamp. The frame identifier must include, at a minimum, the sequenceId field so the CPU can match the time stamp with the follow-up frame.

If the time stamp block gets the Write, Save action, it delivers the calculated time stamp to the time stamp FIFO and signals to the time stamp FIFO block that it must save the time stamp along with the frame identified data it received from the analyzer block.

The following full calculations are performed:

- Sync frames: FIFO = (Raw\_Timestamp + Local\_correction)

- Delay\_req frames: FIFO = (Raw\_Timestamp + Local\_correction)  
Correction field = Original Correction field – Asymmetry

### 3.12.7 Supporting One-Step End-to-End Transparent Clock

End-to-end transparent clocks add the residence time (the time it takes to traverse the system from the input to the output port(s)) to all Sync and Delay\_req frames. It does not need to have any knowledge of the actual time, but if it is not locked to the frequency of the IEEE 1588 time, it will produce an error that is the ppm difference in frequency times the residence time.

When the TC is frequency-locked by means of IEEE 1588 or other methods (SyncE), the error is only caused by sampling inaccuracies.

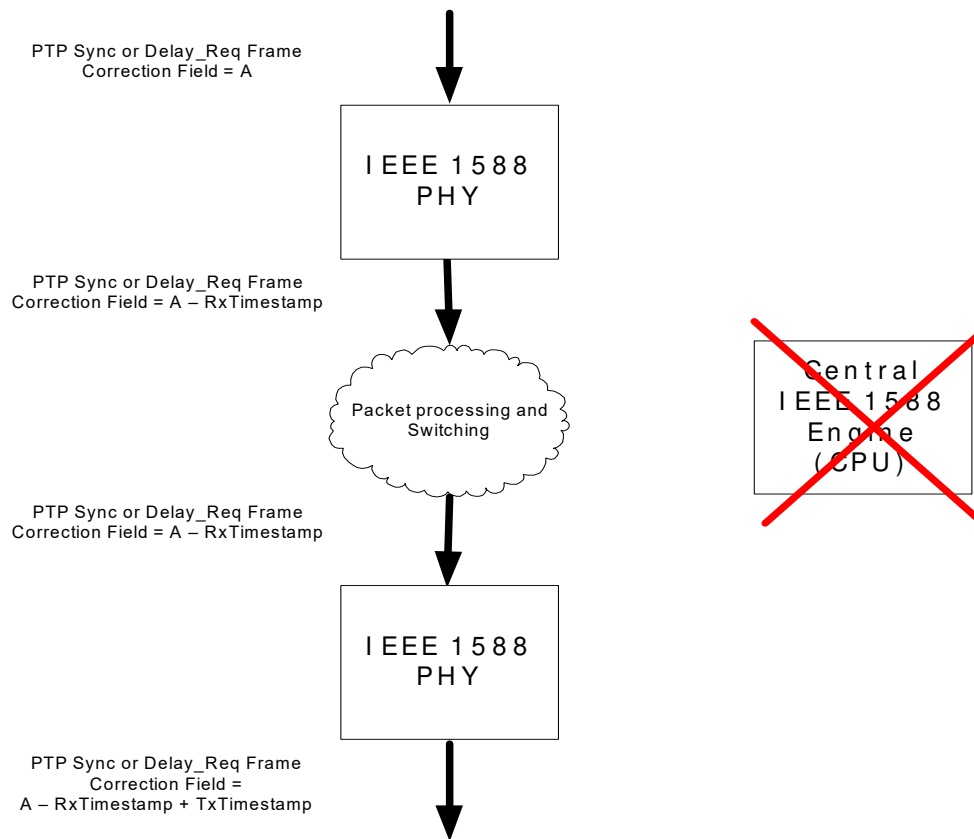
The VSC8575-11 device supports a number of different transparent clock modes that can be divided into two main modes, as follows:

- **Mode A** subtracts the ingress time stamp at ingress and adds the egress time stamp at egress. This mode can run in a number of sub-modes, depending on the format of the time stamp that is subtracted or added.
- **Mode B** saves the ingress time stamp in the reserved bytes of the PTP header (just as is done in BC and ordinary clock modes) and performs the residence time calculation at the egress PHY where the calculated residence time is added to the correction field of the PTP frame.

Mode B is recommended because it has a number of advantages, including the option to support TC and BC operation in the same system and on the same traffic and the ease of implementing syntonized TC operation.

When an E2E TC recovers frequency using IEEE 1588 and is using Mode A, it must either have a PHY with IEEE 1588 time stamping Mode A support or another way of adding the local time to the correction field placed in front of the IEEE 1588 engine. The IEEE 1588 engine is then able to receive Sync frames and adjust the local frequency to match the IEEE 1588 time.

If using Mode B, the IEEE 1588 engine can recover the frequency directly from the Sync frames because it can extract the ingress time stamp directly from the frames. The frequency adjustment can be done by adjusting the time counter in each PHY or by adjusting the global Timetick clock.

**Figure 31 • One-Step E2E TC Mode A**

When the system works in one-step E2E TC mode Sync and Delay\_req frames must be forwarded through the system and the residence time = (Egress time stamp – Ingress time stamp) must be added to the correction field in the frame before it leaves the system.

The following sections describe the operation in Modes A and B.

### 3.12.7.1 Ingress, Mode A

If the analyzer detects that the frame is an IEEE 1588 Sync or Delay\_req frame belonging to the PTP domain(s) of the system, it signals to the time stamp block which action to perform (Subtract), along with the correction field of the frame. It also delivers the write offset and data size (location of the correction field inside the frame, 8 bytes wide) to the rewriter.

If the time stamp block gets the Subtract action, it subtracts the time stamp converted to ns from the original correction field of the frame and outputs the value to the rewriter block.

As a result, the frame is sent towards the system with a correction field containing the value: Original Correction field – Rx timestamp (converted to ns).

The following full calculations are performed:

- Sync frames: Internal Correction field = Original Correction field – (Raw\_Timestamp\_ns – Local\_correction) + Asymmetry
- Delay\_req frames: Internal Correction field = Original Correction field – (Raw\_Timestamp\_ns – Local\_correction)

### 3.12.7.2 Egress, Mode A

The egress side works that same way as ingress, but the analyzer is set up to add the active\_timestamp to the correction field.

If the analyzer detects that the frame is a IEEE 1588 Sync or Delay\_req frame belonging to the PTP domain(s) of the system, it signals to the time stamp block which action to perform (Add), along with the

correction field of the frame. It also delivers the write offset and data size (location of the correction field inside the frame, 8 bytes wide) to the rewriter.

If the analyzer detects that the frame is not matched, it signals the time stamp block and the rewriter block to ignore the frame (let it pass unmodified and flush the saved time stamp in the time stamp block).

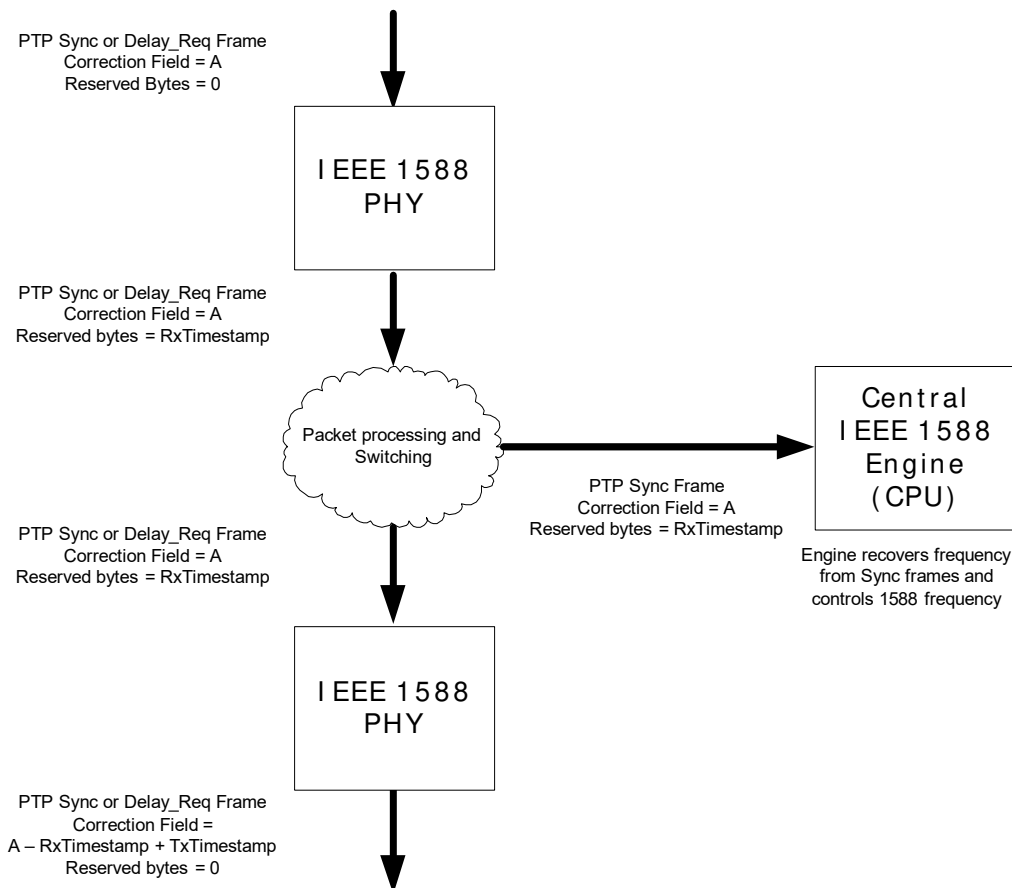
If the time stamp block gets the Add action, it adds the current value of the active\_timestamp to the value of the correction field received from the analyzer and outputs the value to the rewriter block.

When the rewriter block receives a signal from the analyzer block to rewrite a specific position in the frame, it overwrites the position with the data received from the time stamp block and replaces the FCS of the frame. The rewriter also checks the original FCS of the frame and ensures that a frame that is received with a bad FCS and then modified by the rewriter is also sent out with a bad FCS. This is achieved by inverting the new FCS.

The following full calculations are performed:

- Sync frames: Correction field = Internal Correction field + (Raw\_Timestamp\_ns + Local\_correction)
- Delay\_req frames: Correction field = Internal Correction field + (Raw\_Timestamp\_ns + Local\_correction) – Asymmetry

**Figure 32 • One-Step E2E TC Mode B**



### 3.12.7.3 Ingress, Mode B

In ingress mode B, all calculations are performed at the egress port.

On the ingress side, when the analyzer detects Sync or Delay\_req frames it adds the Rx time stamp to the four reserved bytes in the PTP frame.

The following full calculations are performed:

- Sync frames:  $\text{Reserved\_bytes} = \text{Raw\_Timestamp\_ns} - \text{Local\_correction}$  Correction field = Original Correction field + Asymmetry
- Delay\_req frames:  $\text{Reserved\_bytes} = \text{Raw\_Timestamp\_ns} - \text{Local\_correction}$

### 3.12.7.4 Egress, Mode B

All calculations are done at the egress side. When the analyzer detects Sync or Delay\_req frames it performs the following calculation:

Correction field = Original Correction field + Tx time stamp – Rx time stamp

The value of the Rx time stamp is extracted from four reserved bytes in the PTP header. The four reserved bytes are cleared back to 0 before transmission.

The result is that every Sync and Delay\_req frame that belongs to the PTP domain(s) and is configured as one-step E2E TC in the system will exit the system with a correction field that contains the following:

Correction field = Original correction field + Tx time stamp – Rx time stamp

All this is done without any interaction with a CPU system, other than the initial setup. There is no bandwidth expansion. Standard switching/routing tunneling can be done between the ingress and egress PHY, provided that the analyzers in the ingress PHY and egress PHY are set up to catch the Sync and Delay\_req on both. If the PTP Sync and Delay\_req frames are modified inside the system, the egress analyzer must be able to detect the egress Sync and Delay\_req frames; otherwise, the egress Sync and Delay\_req frames will have an incorrect correction field.

The following full calculations are performed:

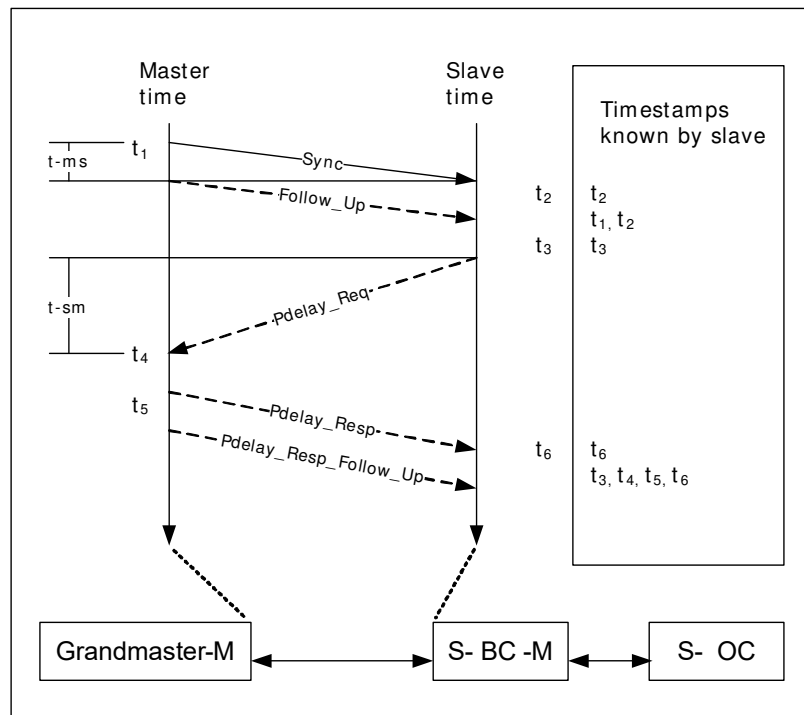
- Sync frames: Correction field = Original Correction field + (Raw\_Timestamp\_ns + Local\_correction) – Reserved\_bytes
- Delay\_req frames: Correction field = Original Correction field + (Raw\_Timestamp\_ns + Local\_correction) – Reserved\_bytes – Asymmetry

## 3.12.8 Supporting One-Step Peer-to-Peer Transparent Clock

When a Sync frame traverses a P2P TC, the correction field is updated with both the residence time and the calculated path delay on the port that the Sync frame came in on.

### 3.12.8.1 Peer Link Delay Measurement

In P2P TC, the P2P TC device actively sends and receives Pdelay\_req and Pdelay\_resp messages, and calculates the path delays to each neighbor node in the PTP network. The following illustration shows the delay measurements.

**Figure 33 • Delay Measurements**

To calculate the path delays on a link, the IEEE 1588 engine (located somewhere in the system) generates Pdelay\_req messages on all ports. When transmitted, the actual Tx time stamp  $t_3$  is saved for the CPU to read.

When a P2P TC, BC, or OC receives a Pdelay\_req frame, it saves the Rx time stamp ( $t_4$ ) and generates a Pdelay\_resp frame, which adds  $t_5 - t_4$  to the correction field copied from the received Pdelay\_req frame, where  $t_5$  is the time that the Pdelay\_resp leaves the port ( $t_5$ ).

When a P2P TC receives the Pdelay\_resp frame, it saves the Rx time stamp ( $t_6$ ) and then calculates the path delay as  $(t_6 - t_3 - \text{the correction field of the frame})/2$ . The time stamp corrections are combined into a single formula as follows:

$$\text{Path delay} = (t_6 - (t_3 + (t_5 - t_4)))/2 = (t_6 - t_3 - t_5 + t_4)/2 = ((t_4 - t_3) + (t_6 - t_5))/2$$

The two path delays are divided by two, but in such a way as to cancel out any timing difference between the two devices.

A slight modification can be made to the algorithm to remove the CPU processing overhead of reading the  $t_3$  time stamp. To modify the algorithm, the IEEE 1588 engine should send the Pdelay\_req message with a software generated  $t_3$  value in the origin time stamp, the sub-second value of the  $t_3$  time stamp in the reserved bytes of the PTP header, and a correction field of 0. The software generated  $t_3$  time stamp should just be within a second before the actual  $t_3$  time. The egress PHY should then be configured to perform E2E TC egress operation, meaning calculate the “residence time” from the inserted  $t_3$  time stamp to the actual  $t_3$  time and insert this value in the correction field of the frame. When the IEEE 1588 engine receives the corresponding Pdelay\_resp frame back it can use the software generated  $t_3$  value as the correction field of the Pdelay\_resp frame will contain a value that compensates for the actual  $t_3$  transmission time.

A P2P TC adds the calculated one-way path delay to the ingress correction field, and this ensures that the time stamp + correction field in the egress Sync frames is accurate and a slave connected to the P2P TC only needs to add the link delay from the TC to the slave.

The following sections describe both the standard and modified methods for taking P2P measurements. As with E2E TC operations, the VSC8575-11 device also supports the different TC modes: mode A (with different time stamp formats) and mode B. Mode B is also the preferred method to implement P2P TC.



### 3.12.8.2 Ingress, Mode A

If the analyzer detects that the frame is an IEEE 1588 Sync frame belonging to the PTP domain(s) of the system, it signals to the time stamp block which action to perform (subtract\_p2p), along with the correction field of the frame. It also delivers the write offset and data size (location of the correction field inside the frame, 8 bytes wide) to the rewriter.

If the analyzer detects that the frame is an IEEE 1588 Pdelay\_req or Pdelay\_resp frame belonging to the PTP domain(s) of the system, it signals to the time stamp block which action to perform (Write). It also delivers the write offset and data size (location of the reserved 4 bytes in the PTP header that is used to save the ns part of the Rx time stamp, 4 bytes wide) to the rewriter.

If the time stamp block gets the subtract\_p2p action, it subtracts the value in the ingress time stamp from the correction\_field data, adds the configured path delay value, and delivers the result to the rewriter block.

If the time stamp block gets the Write action, it outputs the value of the ingress time stamp register to the rewrite block and the rewriter block writes the sub-second value to the reserved bytes in the PTP header.

The following full calculations are performed:

- Sync frames: Internal Correction field = Original Correction field – (Raw\_Timestamp\_ns – Local\_correction) + Path\_delay + Asymmetry
- Pdelay\_req frames: Reserved\_bytes = Raw\_Timestamp\_ns – Local\_correction
- Pdelay\_resp frames: Reserved\_bytes = Raw\_Timestamp\_ns – Local\_correction  
Correction Field = Original Correction field + Asymmetry

### 3.12.8.3 Egress, Mode A

If the analyzer detects that the frame is a IEEE 1588 Sync frame belonging to the PTP domain(s) of the system, it signals to the time stamp block which action to perform (Add), along with the correction field of the frame. It also delivers the write offset and data size (location of the correction field inside the frame, 8 bytes wide) to the rewriter.

If the analyzer detects that the frame is an IEEE 1588 Pdelay\_req frame belonging to the PTP domain(s) of the system, it signals to the time stamp block which action to perform (Sub\_add), along with the original correction field of the frame (will have the value of 0) and the time stamp extracted from the reserved bytes. It also delivers the write offset and data size (location of the correction field inside the frame, 8 bytes wide) to the rewriter.

If the user prefers to use the normal t3 handling where the t3 time stamp is saved in a time stamp FIFO, the following configuration should be used: If the analyzer detects that the frame is an IEEE 1588 Pdelay\_req frame belonging to the PTP domain(s) of the system, it signals to the time stamp block which action to perform (Write, Save), along with the original correction field of the frame (will have the value of 0). It also delivers the write offset and data size (0 No data is actually written into the frame) to the rewriter. In addition it outputs the field that holds the frame identifier (sequenceld from the PTP header) to the time stamp FIFO, to save along with the Tx time stamp.

If the analyzer detects that the frame is an IEEE 1588 Pdelay\_resp frame belonging to the PTP domain(s) of the system, it signals to the time stamp block which action to perform (Sub\_add), along with the original correction field of the frame (will have the value of the CF received from the Pdelay\_req frame) and the time stamp extracted from the reserved bytes. It also delivers the write offset and data size (location of the correction field inside the frame, 8 bytes wide) to the rewriter.

If the analyzer detects that the frame is not matched, it signals to the time stamp block and the rewriter block to ignore the frame (let it pass unmodified and flush the saved time stamp in the time stamp block).

The following full calculations are performed:

- Sync frames: Correction field = Internal Correction field + (Raw\_Timestamp\_ns + Local\_correction)
- Pdelay\_req frames: Correction field = Internal Correction field + (Raw\_Timestamp\_ns + Local\_correction) – Reserved\_bytes – Asymmetry
- Pdelay\_resp frames: Correction field = Original Correction field + (Raw\_Timestamp\_ns + Local\_correction) – Reserved\_bytes

### 3.12.8.4 Ingress, Mode B

If the analyzer detects that the frame is an IEEE 1588 Sync frame belonging to the PTP domain(s) of system, it signals to the time stamp block which action to perform (subtract\_p2p), along with the correction field of the frame. It also delivers the write offset and data size (location of the correction field inside the frame, 8 bytes wide) to the rewriter.

If the analyzer detects that the frame is an IEEE 1588 Pdelay\_req frame belonging to the PTP domain(s) of system, it signals to the time stamp block which action to perform (Write). It also delivers the write offset and data size (location of the reserved 4 bytes in the PTP header we use to save the ns part of the Rx time stamp, 4 bytes wide) to the rewriter.

If the analyzer detects that the frame is an IEEE 1588 Pdelay\_resp frame belonging to the PTP domain(s) of system, it signals to the time stamp block which action to perform (Write). It also delivers the write offset and data size (location of the reserved 4 bytes in the PTP header we use to save the ns part of the Rx time stamp, 4 bytes wide) to the rewriter.

If the time stamp block gets the Subtract\_p2p action, it subtracts the value in the active\_timestamp\_ns\_p2p register from the correction\_field data and outputs the value on the New\_Field bus to the Rewriter block.

If the time stamp block gets the Write action, it outputs the value of the active\_timestamp\_ns register on the New\_field bus to the Rewriter block.

The following full calculations are performed:

- Sync frames: Internal Correction field = Original Correction field – (Raw\_Timestamp\_ns – Local\_correction) + Path\_delay + Asymmetry
- Pdelay\_req frames: Reserved\_bytes = Raw\_Timestamp\_ns – Local\_correction
- Pdelay\_resp frames: Reserved\_bytes = Raw\_Timestamp\_ns – Local\_correction + Asymmetry

### 3.12.8.5 Egress, Mode B

If the analyzer detects that the frame is an IEEE 1588 Sync frame belonging to the PTP domain(s) of system, it signals to the time stamp block which action to perform (Add), along with the correction field of the frame. It also delivers the write offset and data size (location of the correction field inside the frame, 8 bytes wide) to the rewriter.

If the analyzer detects that the frame is an IEEE 1588 Pdelay\_req frame belonging to the PTP domain(s) of system, it signals to the time stamp block which action to perform (Write, Save), along with the original correction field of the frame (will have the value of 0). It also delivers the write offset and data size (0 No data is actually written into the frame) to the rewriter. In addition, it outputs the field that holds the frame identifier (sequenceId from the PTP header) to the time stamp FIFO, to save along with the Tx time stamp.

If the analyzer detects that the frame is an IEEE 1588 Pdelay\_resp frame belonging to the PTP domain(s) of system, it signals to the time stamp block which action to perform (Add - this requires that the IEEE 1588 engine has subtracted the Rx time stamp from the correction field), along with the original correction field of the frame. It also delivers the write offset and data size (location of the correction field inside the frame, 8 bytes wide) to the rewriter.

If the time stamp block gets the Write, Save action, it outputs the value of the active\_timestamp\_ns register on the New\_field bus to the Rewriter block and sets the save\_timestamp bit.

If the time stamp block gets the Add action, it adds the correction field value to the value in the active\_timestamp\_ns register and outputs the value on the New\_Field bus to the Rewriter block.

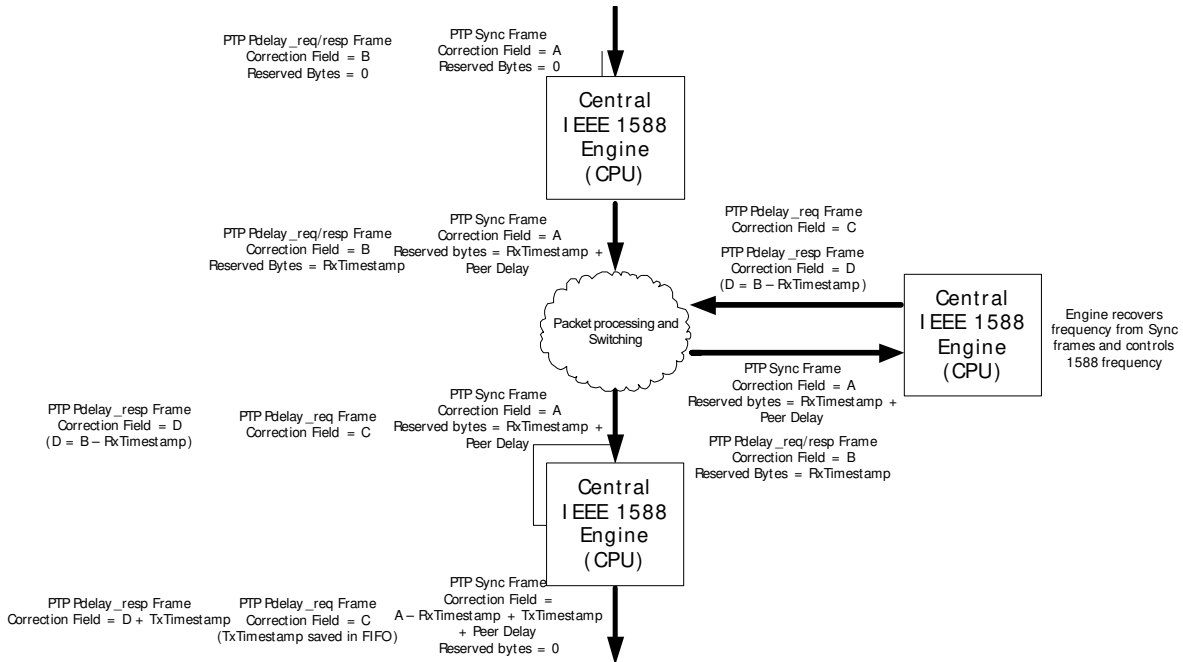
The Tx time stamp FIFO block contains an (implementation specific) amount of buffer memory. It simply stores the Tx time stamp values that it receives from the time stamp block together with the frame identifier data it receives from the Analyzer block and has a CPU interface that allows the IEEE 1588 engine to read out the time stamp sets (Frame identifier + New Tx time stamp).

The following full calculations are performed:

- Sync frames: Correction field = Internal Correction field + (Raw\_Timestamp\_ns + Local\_correction)
- Pdelay\_req frames: FIFO = Raw\_Timestamp\_ns + Local\_correction – Asymmetry

- Pdelay\_resp frames: Correction field = Internal Correction field + (Raw\_Timestamp\_ns + Local\_correction)

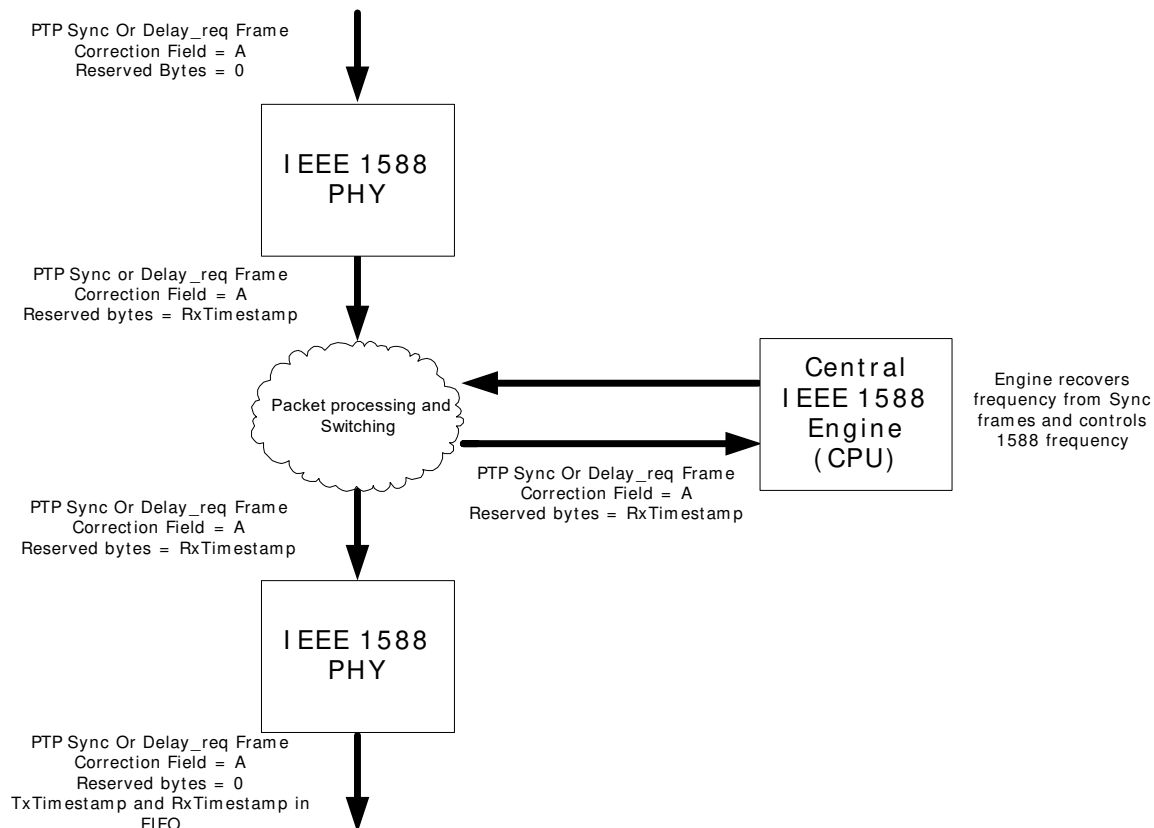
**Figure 34 • One-Step P2P TC Mode B**



### 3.12.9 Supporting Two-Step Transparent Clock

In two-step transparent clocks, the Rx and Tx time stamps are saved for the IEEE 1588 engine to read and the follow-up message is redirected to the IEEE 1588 engine so that it can update the correction field with the residence time.

Even though two-step transparent clocks can be used with this architecture, it is also possible to process the frames in the same manner as a one-step TC, because the slaves are required to take both the correction fields from the Sync frames and the follow-up frames into account. This significantly reduces the CPU load for the TC. The following illustration shows two-step transparent clock normal operation.

**Figure 35 • Two-Step E2E TC**

### 3.12.9.1 Ingress

If the analyzer detects that the frame is an IEEE 1588 Sync or Delay\_req frame belonging to the PTP domain(s) of the system, it signals to the time stamp block which action to perform (Write). The analyzer also delivers the write offset and data size to the rewriter (four reserved bytes in the PTP header, which will be passed out on the egress port of the system). A changed reserved value may be significant in security protection. This method allows the frames to be copied to the IEEE 1588 engine, so that it can extract the Rx time stamp and that it knows that it needs to read the Tx time stamps to be ready for the follow up message. It is also possible to save the Rx time stamp value along with the Tx time stamp in the Tx time stamp FIFO.

If the time stamp block gets the Write action, it outputs the current time stamp to the rewriter and the rewriter writes the ns part of the time stamp into the reserved bytes and recalculates FCS.

The following full calculations are performed:

- Sync frames: Reserved\_bytes = (Raw\_Timestamp\_ns – Local\_correction) Correction field = Original Correction field + Asymmetry
- Delay\_req frames: Reserved\_bytes = Raw\_Timestamp\_ns – Local\_correction

### 3.12.9.2 Egress

If the analyzer detects that the frame is an IEEE 1588 Sync or Delay\_req frame belonging to the PTP domain(s) of the system, it signals to the time stamp block which action to perform (Write, Save). The analyzer also delivers the write offset and data size (but as nothing is to be overwritten the values will be 0) to the rewriter. The analyzer outputs 10 bytes of frame identifier to the Tx time stamp FIFO to be saved along with the Tx time stamp. The frame identifier must include, at minimum, the sequenceId field so the CPU can match the time stamp with the follow-up frame. The analyzer also outputs the offset for the reserved fields in the PTP header to the rewriter, so that the rewriter field is reset to 0 and the temporary Rx time stamp value is cleared.

If the time stamp block gets the Write, Save action, it outputs the current time stamp value to the rewriter (and time stamp FIFO) and sets the save\_timestamp bit. The time stamp FIFO block saves the New\_field data along with the frame identifier data it received from the analyzer block. The frame identifier data that is saved can contain the reserved field in the PTP header that was written with the Rx time stamp, so that the CPU now can read the set of Tx and Rx time stamp from the Tx time stamp FIFO.

The following full calculations are performed:

- Sync frames: FIFO = Raw\_Timestamp\_ns + Local\_correction (reserved\_bytes containing the Rx time stamp saved together with Tx time stamp)
- Delay\_req frames: FIFO = Raw\_Timestamp\_ns + Local\_correction – Asymmetry (reserved\_bytes containing the Rx time stamp saved together with Tx time stamp)

### 3.12.10 Calculating OAM Delay Measurements

Frame delay measurements can be made as one-way and two-way delay measurements. Microsemi recommends that the delay measurement be measured before the packets enter the queues, if the purpose is to measure the delay for different priority traffic, but it can be used with time stamping in the PHY to measure the delay through the network devices placed in the path between the measurement points.

The function is mainly an on-demand OAM function, but it can run continuously.

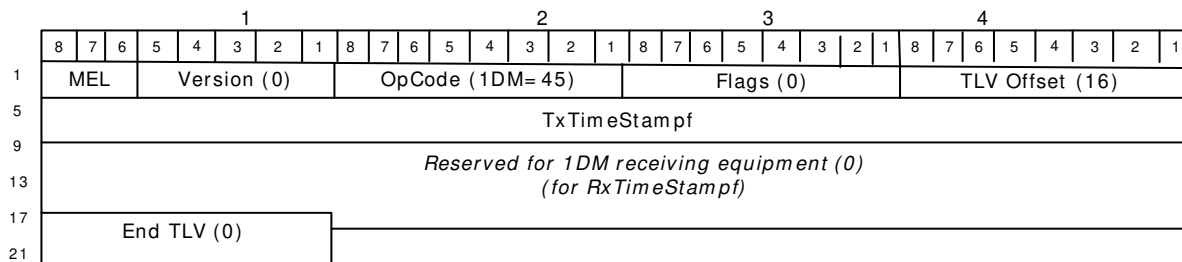
### 3.12.11 Supporting Y.1731 One-Way Delay Measurements

One-way delay measurements require that the two peers are synchronized in time. When they are not synchronized, only frame delay variations can be measured.

The MEP periodically sends out 1DM OAM frames containing a TxTimeStamptf value in IEEE 1588 format.

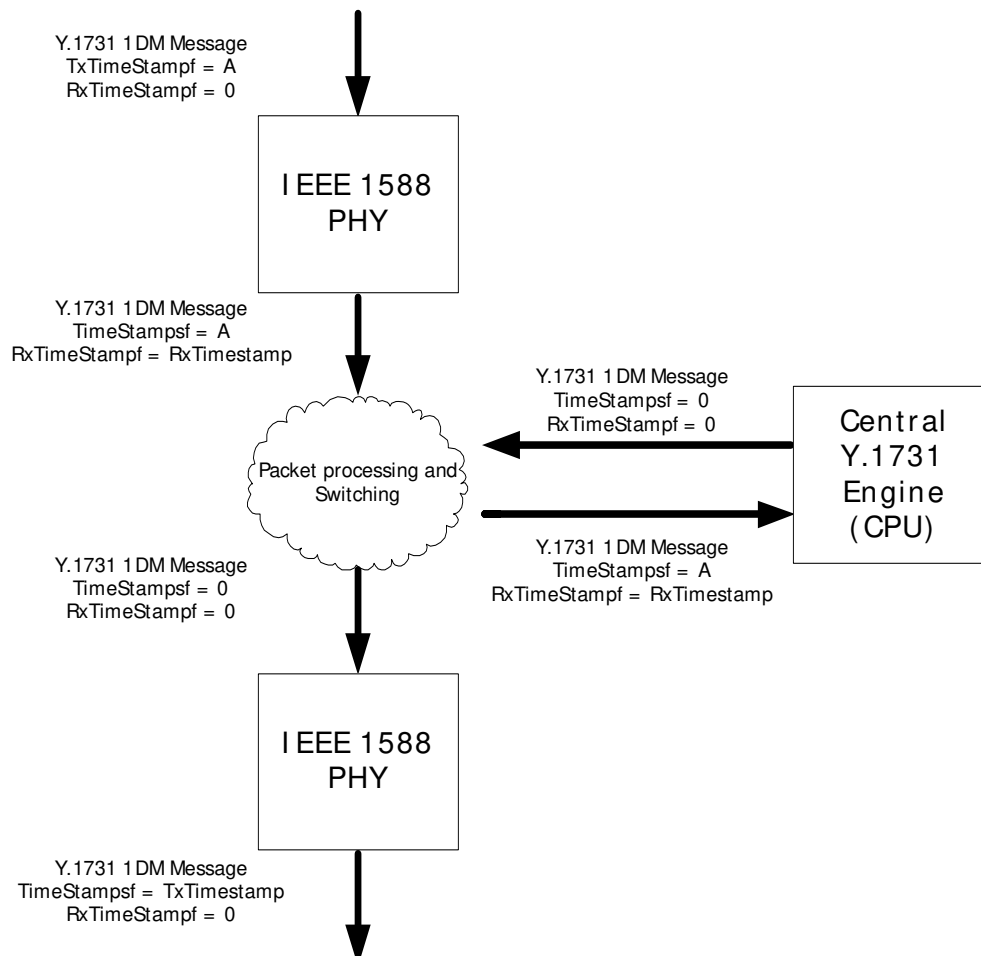
The receiver notes the time of reception of the 1DM frame and calculates the delay.

Figure 36 • Y.1731 1DM PDU Format



1. For one-way delay measurements, both MEPs must support IEEE 1588 and be in sync.
2. 1DM frame is generated by the CPU, but with an empty Tx time stamp.
3. The frame is transmitted by the initiating MEP.
4. The 1DM frame is classified as an outgoing 1DM frame by the egress PHY and the PHY rewrites the frame with the time as TxFCf.
5. The receiving PHY classifies the incoming 1DM frame and writes the receive time stamp in reserved place (RxTimeStamptf).
6. The frame is received by the peer MEP.
7. The frame is forwarded to the CPU that can calculate the delay.

Figure 37 • Y.1731 One-Way Delay



### 3.12.11.1 Ingress

If the analyzer detects that the frame is a Y.1731 1DM PDU frame belonging to the MEP, it signals to the time stamp block which action to perform (Write). The analyzer also delivers the write offset and data size (location of the RxTimeStampf location in the frame, 8 bytes wide) to the rewriter.

If the time stamp block gets the Write action, it delivers the time stamp to the rewriter block and the rewriter block adds this time stamp to the reserved bytes in the frame and recalculates FCS.

The following calculation is performed for 1DM frames:

$$RxTimeStampf = (Raw\_Timestamp - Local\_correction)$$

### 3.12.11.2 Egress

If the analyzer detects that the frame is a Y.1731 1DM PDU frame belonging to the MEP, it signals to the time stamp block which action to perform (Write). It also delivers the write offset and data size (location of the TxTimeStampf location in the frame, 8 bytes wide) to the rewriter.

If the time stamp block gets the Write action, it delivers the time stamp to the rewriter block and the rewriter block adds this time stamp to the reserved bytes in the frame and recalculates FCS.

The following calculation is performed for 1DM frames:

$$TxTimeStampf = (Raw\_Timestamp + Local\_correction)$$

### 3.12.12 Supporting Y.1731 Two-Way Delay Measurements

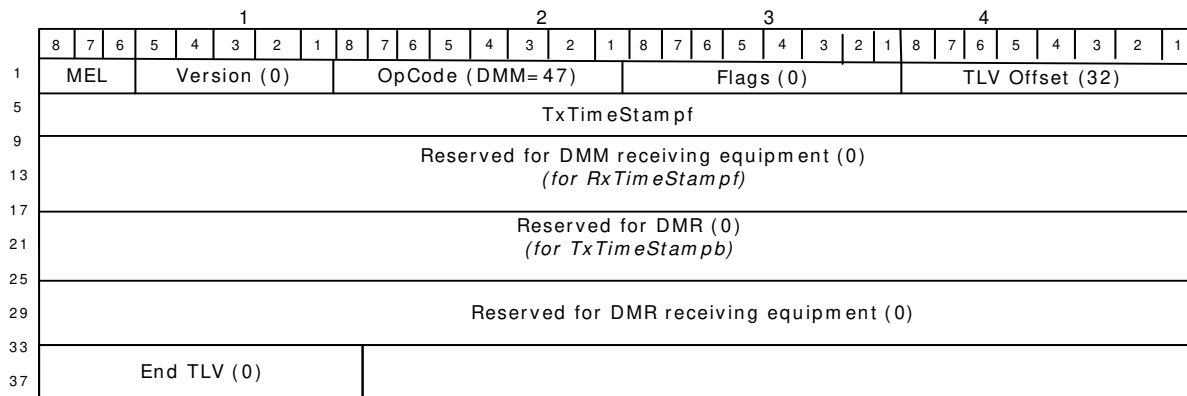
When performing two-way delay measurements, the initiating MEP transmits DMM frames containing a TxTimeStampf value. The receiving MEP replies with a DMR frame that is the same as the DMM frame, but with destination and source MAC address swapped and with a different OAMPDU opcode.

When the DMR frame is received back at the initiating MEP, the time of reception is noted and the total delay is calculated.

As an option, it is allowed to include two additional time stamps in the DMR frame: RxTimeStampf and TxTimeStampb. These contain the time that the DMM page is received for processing and the time the responding DMR reply is sent back, both in IEEE 1588 format.

Including these time stamps allows for the exclusion of the processing time in the peer MEP, but it does not require that the two MEPs are synchronized.

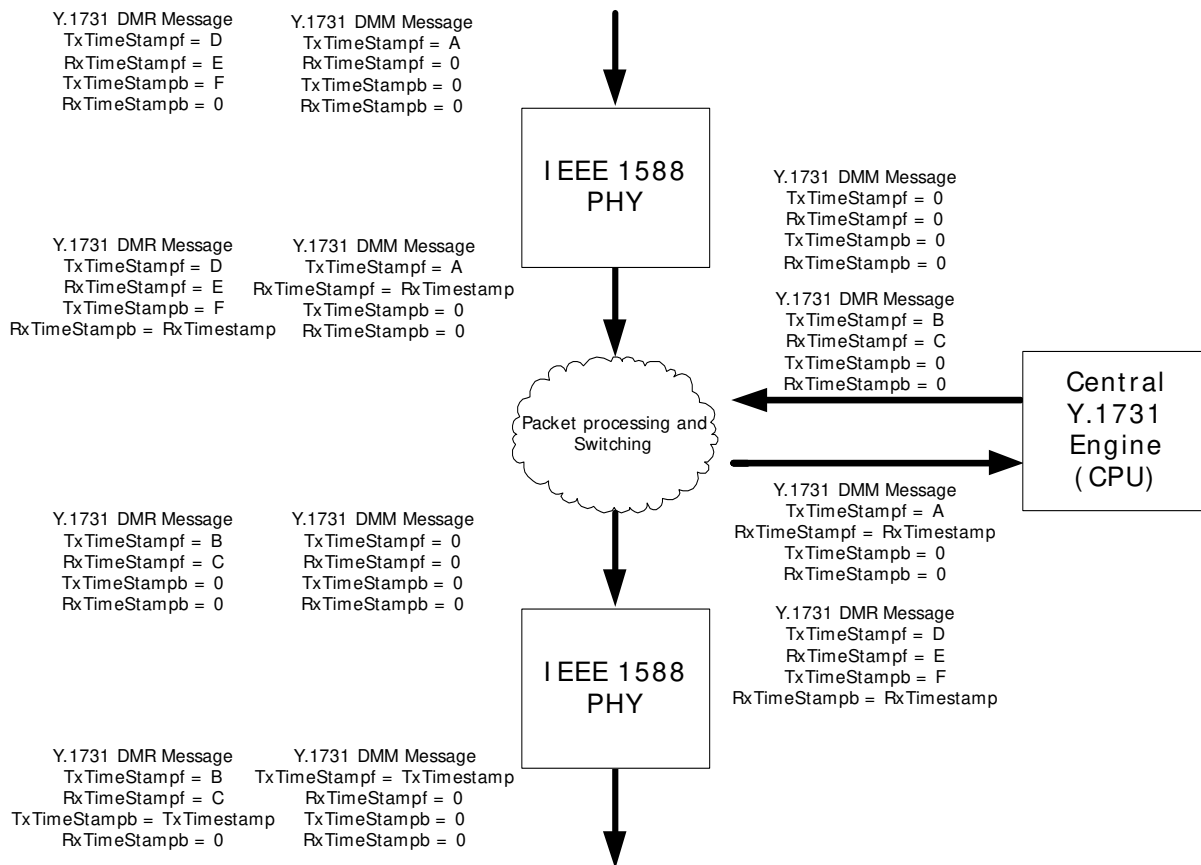
**Figure 38 • Y.1731 DMM PDU Format**



In that case, the following frame flow is needed (two-way delay measurement):

1. DMM frame is generated by the CPU (initiating MEP), but with an empty Tx time stamp.
2. In the egress PHY the DMM frame is classified as an outgoing DMM frame from the MEP and the PHY rewrites the frame with the time as TxTimeStampf.
3. In the ingress PHY the frame is classified as an incoming DMM belonging to the MEP and the RxTimeStampf in the frame is written (the frame has a reserved space for this).
4. The DMM frame is forwarded to the MEP (CPU).
5. The CPU processes the frame (swaps SA/DA MAC addresses, modifies the opcode to DMT) and sends out a DMT frame.
6. The outgoing DMT frame is detected in the egress PHY and the TxTimeStampb is written into the frame.
7. In the ingress PHY the frame is classified as an incoming DMT belonging to the MEP and the RxTimeStampb in the frame is written (the frame has a reserved space for this).
8. The frame is forwarded to the CPU that can calculate the delays.

**Figure 39 • Y.1731 Two-Way Delay**



### 3.12.12.1 Ingress

If the analyzer detects that the frame is a Y.1731 DMM PDU frame belonging to the MEP, it signals to the time stamp block which action to perform (Write). It also delivers the write offset and data size (location of the RxTimeStampf location in the frame, 8 bytes wide) to the rewriter.

If the analyzer detects that the frame is a Y.1731 DMT PDU frame belonging to the MEP, it signals to the time stamp block which action to perform (Write). It also delivers the write offset and data size (location of the RxTimeStampf location in the frame, 8 bytes wide) to the rewriter.

If the time stamp block gets the Write action, it delivers the time stamp to the rewriter block and the rewriter block adds this time stamp to the reserved bytes in the frame and recalculates FCS.

The following calculations are performed:

- DMM frames: RxTimeStampf = (Raw\_Timestamp – Local\_correction)
- DMR frames: RxTimeStampb = (Raw\_Timestamp – Local\_correction)

### 3.12.12.2 Egress

If the analyzer detects that the frame is a Y.1731 DMM PDU frame belonging to the MEP, it signals to the time stamp block which action to perform (Write). It also delivers the write offset and data size (location of the TxTimeStampf location in the frame, 8 bytes wide) to the rewriter.

If the analyzer detects that the frame is a Y.1731 DMT PDU frame belonging to the MEP, it signals to the time stamp block which action to perform (Write). It also delivers the write offset and data size (location of the TxTimeStampb location in the frame, 8 bytes wide) to the rewriter.

If the time stamp block gets the Write action, it delivers the time stamp to the rewriter block and the rewriter block adds the time stamp to the reserved bytes in the frame and recalculates FCS as follows:



- DMM frames: TxTimeStampf = (Raw\_Timestamp + Local\_correction)
- DMR frames: TxTimeStampb = (Raw\_Timestamp + Local\_correction)

### 3.12.12.3 Supporting MPLS-TP One-Way and Two-Way Delay Measurements

MPLS-TP one- and two-way delay measurement are defined in RFC6374 (G.8113.2) and G.8113.1 (draft-bhh). These mechanisms are similar to the ones described for Y.1731 Ethernet OAM delay measurement except for the encapsulations. The following illustrations show the PDU formats.

Figure 40 • RFC6374 DMM/DMR OAM PDU Format

|                  |                |                 |
|------------------|----------------|-----------------|
| ETH (1)          |                | 14/18/22B       |
| MPLS labels (2)  |                | 4/8/12/16B      |
| ACH              |                | 4B              |
| DMM/DMR OAM PDUs | OAM PDU Header | 8B              |
|                  | Time stamp 1   | 8B              |
|                  | Time stamp 1   | 8B              |
|                  | Time stamp 1   | 8B              |
|                  | Time stamp 1   | 8B              |
| padding          |                | (variable size) |
| FCS              |                | 4B              |

(1) 0, 1, or 2 VLAN tags  
(2) Up to 4 MPLS labels

Figure 41 • Draft-bhh DMM/DMR/1DM OAM PDU Formats

| DMM/DMR           |                |            | 1DM   |                   |            |
|-------------------|----------------|------------|---|-------------------|------------|
| ETH (1)           |                | 14/18/22B  | ETH (1)   |                   | 14/18/22B  |
| MPLS labels (2)   |                | 4/8/12/16B | MPLS labels (2)                                     |                   | 4/8/12/16B |
| ACH               |                | 4B         | ACH   |                   | 4B         |
| DMM/DMR OAM PDUs  | OAM PDU Header | 8B         | 1DM OAM PDUs  | OAM PDU Header    | 8B         |
|                   | Time stamp 1   | 8B         |   | Time stamp 1      | 8B         |
|                   | Time stamp 1   | 8B         |   | Time stamp 1      | 8B         |
|                   | Time stamp 1   | 8B         |   | End TLV indicator | 1B         |
|                   | Time stamp 1   | 8B         | FCS   |                   | 4B         |
| End TLV indicator |                | 1B         | (1) 0, 1, or 2 VLAN tags<br>(2) Up to 4 MPLS labels |                   |            |
| FCS               |                | 4B         |   |                   |            |

(1) 0, 1, or 2 VLAN tags  
(2) Up to 4 MPLS labels

### 3.12.13 Device Synchronization for IEEE 1588 Support

It is important to keep all the local clock blocks synchronized to the accurate time over a complete system. To maintain ns accuracy, the signal routing and internal signal delays must be taken into account when configuring a system.

The architecture described in this document assumes that there is a global synchronous clock available in the system. If the system is a telecom system where the system is locked to a PRC, the system clock can be adjusted to match the PRC, meaning that once locked, the frequency of the system clock ensures that the local clocks are progressing (counting) with the accurate frequency. This system clock can be locked to the PRC using IEEE 1588, SyncE, SDH, or by other means.

A global timing signal must also be distributed to all the devices. This could be a 1 pps pulse or another slow synchronization pulse, like a 4 kHz synchronization frequency. It can also just be a one-shot pulse. The system CPU can load each local counter with the time value that happens next time the synchronization pulse goes high (+ the known delay of the synchronization pulse traces). It can also just load the same approximate time value into all the local clock blocks (again + the known delay of the synchronization pulse traces) and load them in parallel. Then the local time can be adjusted to match the actual time by adjusting the local clock blocks using the  $\pm 1$  ns function.

If the Save signal is triggered synchronously on all PHYs of the system, software can read the saved time stamp in each PHY and correct the time accordingly. On a blade with multiple PHYs, it is possible to connect the 1588\_PPS\_1 pin on one PHY to the 1588\_LOAD\_SAVE pin on the next PHY. If the routing delay (both internal chip delay and trace delay) is known, Microsemi recommends that the value saved in the next PHYs correspond to this delay.

If the global system clock is not synchronous, the PPM offset between system clock and the IEEE 1588 time progress can be calculated. This PPM offset can be used to calculate how many local-time-clocks it takes to reach a time offset of 1 ns and this value can be programmed into each local time block. The CPU still need to keep track of the smaller PPM offset and adjust the local time blocks with  $\pm$  writes when necessary.

By measuring the skew between the 1 pps test output from each PHY, it is possible to measure the nominal correction values for the time counters in a system. These can be incorporated into the software of the system. Variations from system to system and temperature variations should be minimized by design.

### 3.12.14 Time Stamp Update Block

The IEEE 1588 block is also called the Time Stamp Update block (TSU) and supports the implementation of IEEE 1588v2 and ITU-T Y.1731 in PHY hardware by providing a mechanism for time stamp update (PTP) and time stamping (OAM).

The TSU block works with other blocks to identify PTP/OAM messages, process these messages, and insert accurate time stamp updates/time stamps where necessary. For IEEE 1588 timing distribution the VSC8575-11 device supports ordinary clocks, boundary clocks, end-to-end transparent clocks, and peer-to-peer transparent clocks in a chassis based IEEE 1588 capable system. One-step and two-step processing is also supported. For details on the timing protocol, refer to IEEE 1588v2. For OAM details refer to ITU-T Y.1731 and G.8113.1/G.8113.2. The TSU block implements part of the functionality required for full IEEE 1588 compliance.

The IEEE 588 protocol has four different types of messages that require action by the TSU: Sync, Delay\_req, Pdelay\_req, and Pdelay\_resp. These frames may be encapsulated in other protocols, several layers deep. The processor is able to detect PTP messages within these other protocols. The supported encapsulations are as follows:

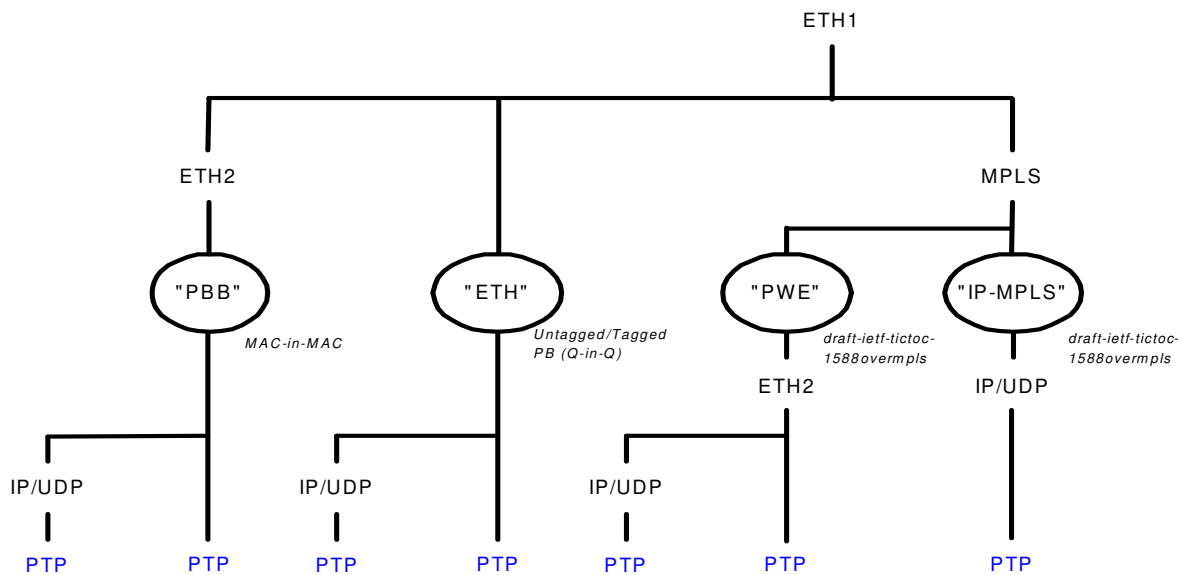
- Ethernet
- UDP over IPv4
- UDP over IPv6
- MPLS
- Pseudo-wires
- PBB and PBB-TE tunnels

OAM frames for delay measurement (1DM, DMM, and DMR) with the following supported encapsulations:

- Ethernet (Y.1731 Ethernet OAM)
- Ethernet in MPLS pseudo-wires (Y.1731 Ethernet OAM)
- MPLS-TP (G.8113.1 (~draft-bhh-mpls-tp-oam-y1731) and G.8113.2 (RFC6374))

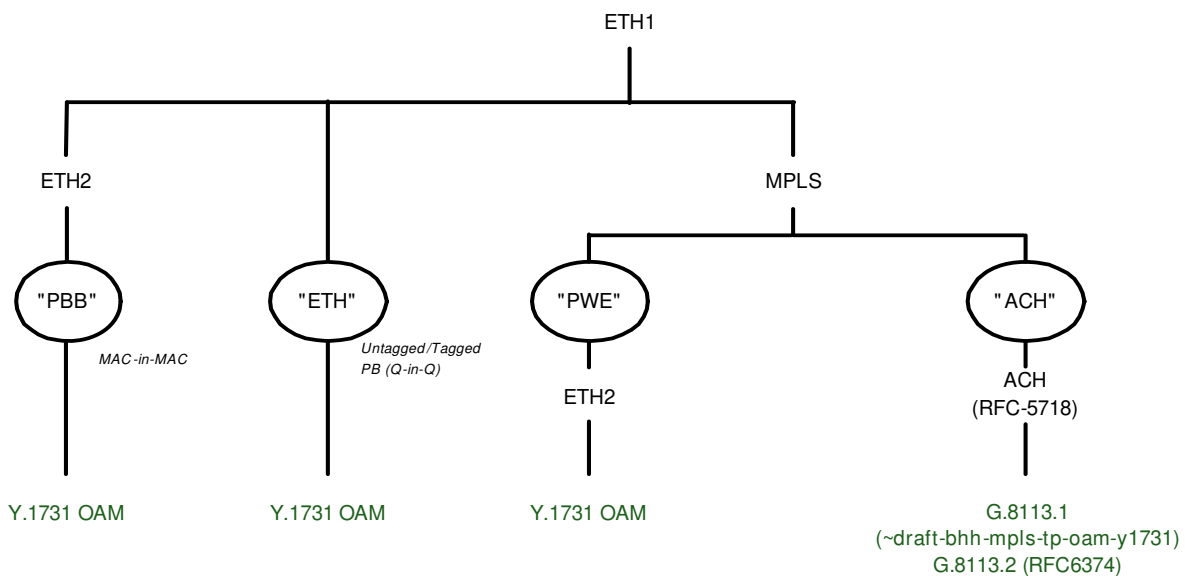
The following illustration shows an overview of the supported PTP encapsulations. Note that the implementation is flexible such that encapsulations not defined here may also be covered.

**Figure 42 • PTP Packet Encapsulations**



The following illustration shows the same overview of the supported encapsulations with the focus on OAM.

**Figure 43 • OAM Packet Encapsulations**



There is one TSU per channel in the VSC8575-11 device. The TSU detects and updates up to three different encapsulations of PTP/OAM. Non-matching frames are transferred transparently. This includes IFG, preamble, and SFD. For all frames, there is no bandwidth expansion/shrink.

Once these frames are detected in the receive path, they are stamped with the ingress time and forwarded for further PTP/OAM processing. In the transmit path, the correction field of the appropriate PTP message (or the Rx and Tx fields of the OAM frame) is updated with the correct time stamp. A local time counter is maintained to provide the time stamps. Implementation of some of the IEEE 1588 protocol requires interaction with the TSU block over the CPU interface and external processing.

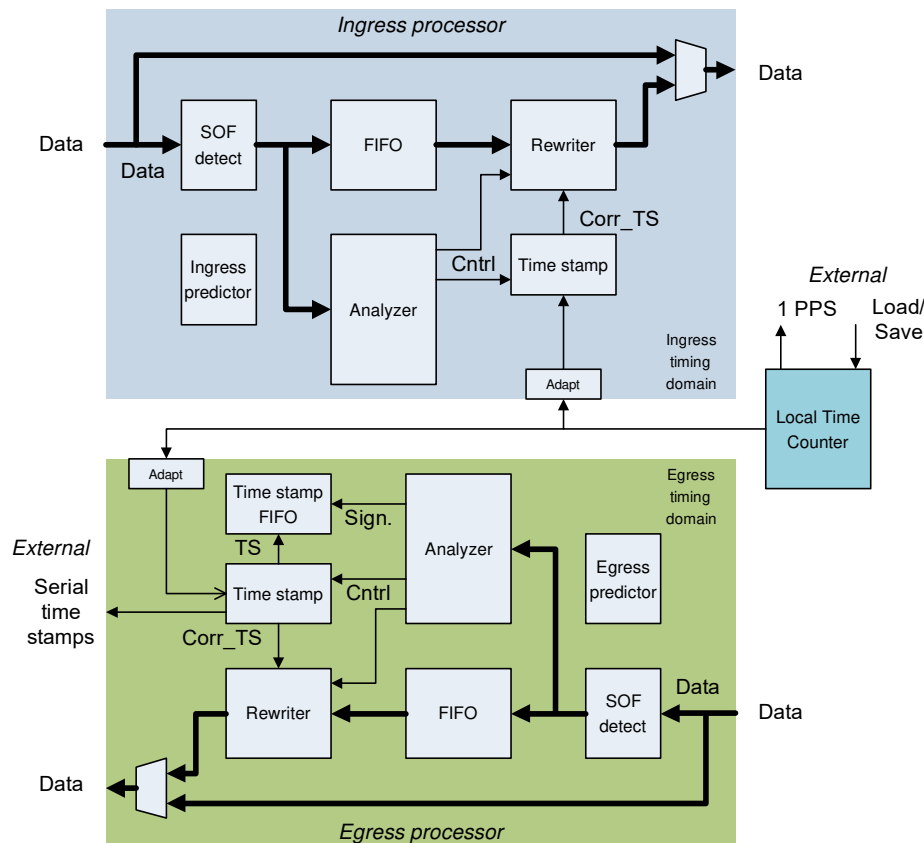
The system has an ingress processor, egress processor, and a local time counter. The ingress and egress processing logic blocks are identical except that the time stamp FIFO is only required in the egress direction because the CPU needs to know the actual time stamps of some of the transmitted PTP

frames. The CPU reads the time stamps and any associated frame information out of the time stamp FIFO. The FIFO saves the generated time stamps along with information that uniquely identifies the frame to be read out by the CPU.

The ingress and egress processing blocks run on the same clock as the data paths for the corresponding directions. The local time counter is the primary reference clock for the system and it maintains the local reference time used by the TSU logic. It should be synchronized by an external entity. The block provides a method to load and view its value when the 1588\_LOAD\_SAVE pin is asserted. The block also provides a one pulse-per-second output signal with a programmable duty cycle. The local time counter runs at several clock frequencies.

The following illustration shows the block diagram of the TSU.

**Figure 44 • TSU Block Diagram**



In both directions, the input data from the PHY layer is first fed to an SOF detect block. Data is then fed to both the programmable time-delay FIFO and the analyzer. The FIFO delays the data by the time needed to complete the operations necessary to update the PTP frame. That is, the data is delayed to the input of the rewriter so that the rewriter operations are known when the frame arrives. This includes the analyzer and time stamp processor block's functions.

The analyzer block checks the data stream and searches for PTP/OAM frames. When one is detected, it determines the appropriate operations to be performed based on the operating mode and the type of frame detected.

**Note:** The analyzer blocks of two channels share configuration registers and have identical setups.

The time stamp block waits for an SOF to be detected, captures a time stamp from the local time counter, and builds the new time stamp that is to be written into the PTP/OAM frame. Captured time stamps can be read by the CPU.

The rewriter block handles the actual writing of the new time stamp into the PTP/OAM frame. It is also able to clear parts of the frame such as the UDP checksum, if required, or it can update the frame to

ensure that the UDP checksum is correct (for IPv6 PTP frames). The block also calculates the new FCS to be written to the PTP frame after updating the fields with the new time stamp.

The VSC8575-11 device has variable latency in the PCS block. These variations are predicted and used to compensate/maximize the accuracy of the IEEE 1588 time stamp logic.

If the time stamp update function is not used, the block can be bypassed. When the TSU is bypassed, the block can be configured and then enabled and taken out of bypass mode. The change in bypass mode takes effect only when an IDLE is in the bypass register. This allows the TSU block to be switched on without corrupting data.

Each direction of the IEEE 1588 can be bypassed individually by programming the INTERFACE\_CTL.SPLIT\_BYPASS bit. Bypass is then controlled by INTRERFACE\_CTL.INGR\_BYPASS and INTERFACE\_CTL.EGR\_BYPASS.

Pause frames pass unmodified through the TSU, but the latency may cause a violation of the allowed pause flow-control latency limits per IEEE 802.3.

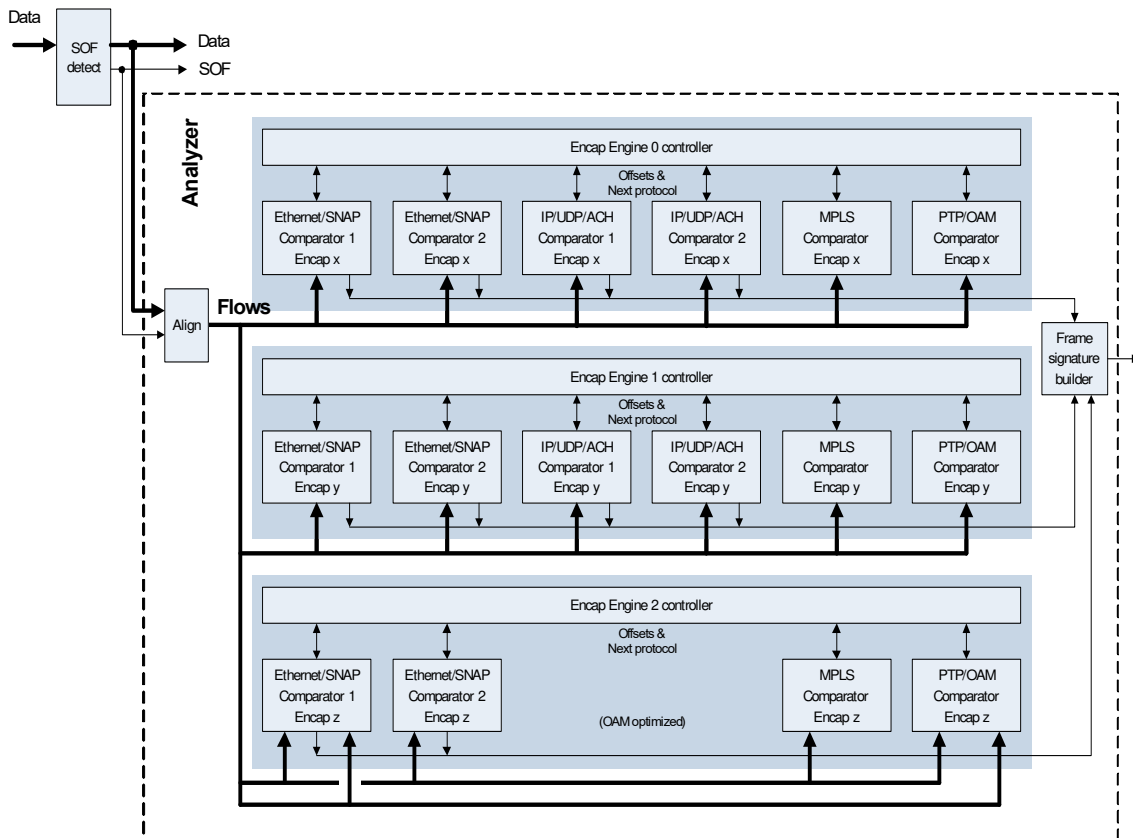
### 3.12.15 Analyzer

The packet analyzer parses incoming packets looking for PTP/OAM frames. It determines the offset of the correction field within the packet for all PTP frames/for the time stamp in Y.1731 OAM frames. The analyzer has the following characteristics:

- Can compare against two different filter sets plus one optimized for OAM
- Each filter targets PTP or OAM frames
- Flexible comparator sequence with fixed start (Ethernet/SNAP) and end (PTP/OAM) comparator. Configurable intermediate comparators (Ethernet/SNAP, 2x IP/UDP/ACH, and MPLS)

The following illustration shows a block diagram of the analyzer.

Figure 45 • Analyzer Block Diagram



The analyzer process is divided into engines and stages. Each engine represents a particular encapsulation stack that must be matched. There are up to six stages in each engine. Each stage uses a comparator block that looks for a particular protocol. The comparison is performed stage-by-stage until the entire frame header has been parsed.

Each engine has its own master enable, so that it can be shut down for major reconfiguration, such as changes in encapsulation order, without stopping traffic. Other enabled engines are not affected.

The SOF detect block searches for the SFD in the preamble and uses that to indicate the SOF position. This information is carried along in the pipeline and also passed to the analyzer.

The first stage of the analyzer is a data path aligner that aligns the first byte of the packet (without the preamble & SFD) to byte 0 of the analyzer data path.

The encapsulation engine handles numerous types of encapsulation stacks. These can be broken down to their individual protocols, and a comparator is defined for each type. The order in which these are applied is configurable. Each comparator outputs a pattern/flow match bit and an offset to the start of the next protocol. The cumulative offset points to the time stamp field.

The sequence in which the protocol comparators are applied is determined by configuration registers associated with each comparator and the transfer of parameters between comparators is controlled by the encapsulation engine controller.

It receives the pattern match and offset information from one comparator stage and feeds the start-of-protocol position to the next comparator. This continues until the entire encapsulation stack has been parsed and always ends with the PTP/OAM stage or until a particular comparator stage cannot find a match in any of its flows. If at any point along the way no valid match is found in a particular stage, the analyzer sends the NOP communication to the time stamp block indicating that this frame does not need modification and that it should discard its time stamp.

There are two types of engines in the analyzer, one optimized for PTP frames and the other optimized for OAM frames. The two engine types are mostly identical except that the IP comparators are removed from the OAM engines. The following table shows the comparator layout per engine type and the number of flows in each comparator. There are two PTP engines and one OAM engine in each analyzer. Additional differences in the Ethernet and MPLS blocks are defined in their respective sections. For more information, see [Ethernet/SNAP/LLC Comparator](#), page 49 and [MPLS Comparator](#), page 53.

**Table 6 • Flows Per Engine Type**

| Comparator | Number of Flows |            |
|------------|-----------------|------------|
|            | PTP Engine      | OAM Engine |
| Ethernet 1 | 8               | 8          |
| Ethernet 2 | 8               | 8          |
| MPLS       | 8               | 8          |
| IP/ACH 1   | 8               | 0          |
| IP/ACH 2   | 8               | 0          |
| PTP/OAM    | 6               | 6          |

Encapsulation matches can be set independently in each direction by setting the ANALYZER\_MODE.SPLIT\_ENCAP\_FLOW register. However strict and non-strict flow cannot be set independently for group A and group B of analyzer engine C.

Choice of strict flow or non-strict has to be made on each direction rather than on an engine by engine basis. Valid values for INGR\_ENCAP\_FLOW\_ENA and EGR\_ENCAP\_FLOW\_ENA are 3'b000 or 3'b111.

Each comparator stage has an offset register that points to the beginning of the next protocol relative to the start of the current one. The offset is in bytes, and the first byte of the current protocol counts as byte 0. As an example, the offset register for a stage would be programmed to 10 when the header to match is 10 byte long. With the exception of the MPLS stage (offsets are automatically calculated in that stage), it

is the responsibility of the programmer to determine the value to put in these registers. This value must be calculated based upon the expected length of the header and is not expected to change from frame-to-frame when matching a given flow.

**Table 7 • Ethernet Comparator: Next Protocol**

| Parameter        | Width | Description  |
|------------------|-------|--|
| Encap_Engine_ENA | 1 bit | For each encapsulation engine and enable bit that turns the engine on or off. The engine enables and disables either during IDLE (all 8 bytes must be IDLE) or at the end of a frame. If the enable bit is changed during the middle of a frame, the engine will wait until it sees either of those conditions before turning on or off.   |
| Encap_Flow_Mode  | 1 bit | There is a separate bit for each engine. For each encapsulation engine:<br>1 = Strict flow matching, a valid frame must use the same flow IDs in all comparators in the engine except the PTP and MPLS comparators.<br>0 = A valid frame may match any enabled flow in all comparators<br>If more than one encapsulation produces a match, the analyzer sends NOP to the rewriter and sets a sticky bit. |

The following table shows the ID codes comparators use in the sequencing registers. The PTP packet target encapsulations require only up to five comparators.

**Table 8 • Comparator ID Codes**

| ID | Name                    | Sequence          |
|----|-------------------------|-------------------|
| 0  | Ethernet Comparator 1   | Must be the first |
| 1  | Ethernet Comparator 2   | Intermediate      |
| 2  | IP/UDP/ACH Comparator 1 | Intermediate      |
| 3  | IP/UDP/ACH Comparator 2 | Intermediate      |
| 4  | MPLS Comparator         | Intermediate      |
| 5  | PTP/OAM Comparator      | Must be the last  |

The following sections describe the comparators. The frame format of each comparator type is described first, followed by match/mask parameter definition. All upper and lower bound ranges are inclusive and all match/mask registers work the same way. If the corresponding mask bit is 1, then the match bit is compared to the incoming frame. If a mask bit is 0, then the corresponding match bit is ignored (a wildcard).

### 3.12.15.1 Ethernet/SNAP/LLC Comparator

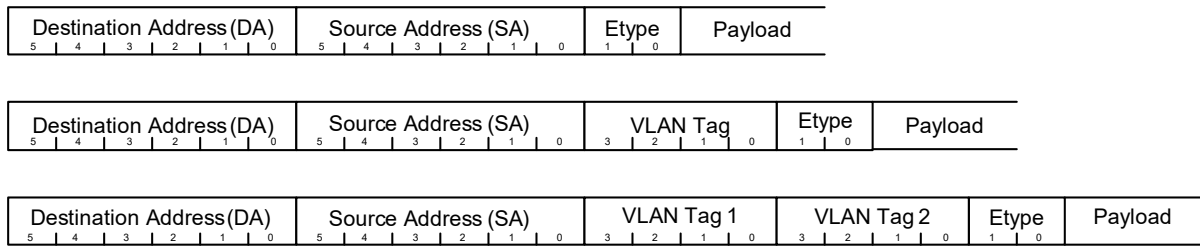
There are two such comparators in each engine. The first stage of each engine is always an Ethernet/SNAP/LLC comparator. The other comparator can be configured to be at any point in the chain.

Ethernet frames can have multiple formats. Frames that have an actual length value in the ethertype field (Ethernet type I) can have one of three formats: Ethernet with an EtherType (Ethernet type II), Ethernet with LLC, or Ethernet with LLC & SNAP. Each of these formats can be compounded by having one or two VLAN tags.

#### 3.12.15.1.1 Type II Ethernet

Type II Ethernet is the most common and basic type of Ethernet frame. The Length/EtherType field contains an EtherType value and either 0, 1, or 2 VLAN tags. Both VLAN can be of type S/C (with EtherType 0x8a88/0x8100). The payload would be the start of the next protocol.

**Figure 46 • Type II Ethernet Basic Frame Format**

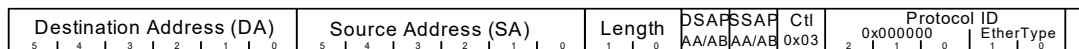


### 3.12.15.1.2 Ethernet with LLC and SNAP

If an Ethernet frame with LLC contains a SNAP header, it always follows a three-octet LLC header. The LLC values for DSAP & SSAP are either 0xAA or 0xAB and the control field contains 0x03. The SNAP header is five octets long and consists of two fields, the 3-octet OUI value and the 2-octet EtherType. As with the other types of Ethernet frames, this format can have 0, 1, or 2 VLAN tags. The OUI portion of the SNAP header is hard configured to be 0 or 0xf8.

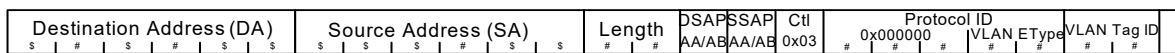
The following illustration shows an Ethernet frame with a length in the Length/EtherType field, an LLC header, and a SNAP header.

**Figure 47 • Ethernet Frame with SNAP**



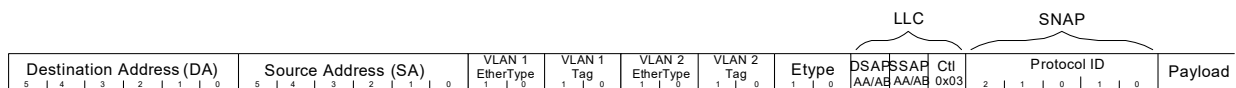
The following illustration shows an Ethernet frame with an LLC/SNAP header and a VLAN tag in the SNAP header. The EtherType in the SNAP header is the VLAN identifier and tag immediately follows the SNAP header.

**Figure 48 • Ethernet Frame with VLAN Tag and SNAP**



The following illustration shows the longest form of the Ethernet frame header that needs to be supported: two VLAN tags, an LLC header, and a SNAP header.

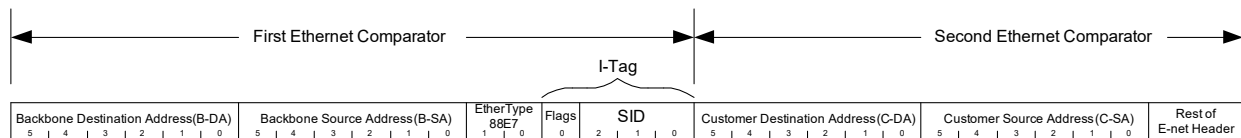
**Figure 49 • Ethernet Frame with VLAN Tags and SNAP**



### 3.12.15.1.3 Provider Backbone Bridging (PBB) Support

The provider backbone bridging protocol is supported using two Ethernet comparator blocks back-to-back. The first portion of the frame has a type II Ethernet frame with either 0 or 1 VLAN tags followed by an I-tag. The following illustrations show two examples of the PBB Ethernet frame format.

**Figure 50 • PBB Ethernet Frame Format (No B-Tag)**



**Figure 51 • PBB Ethernet Frame Format (1 B-Tag)**





### 3.12.15.1.4 Ethernet Comparison

The Ethernet comparator block has two forms of comparison, as follows:

- Next protocol comparison is common for all flows in the comparator. It is the single set of registers and is used to verify what the next protocol in the encapsulated stack will be.
- Flow comparison is used to match any of the possible flows within the comparator.

### 3.12.15.1.5 Ethernet Next Protocol Comparison

The next protocol comparison field looks at the last EtherType field in the header (there can be multiple in the header) to verify the next protocol. It may also look at VLAN tags and the EtherType field when it is used as a length. Each has a pattern match/mask or range, and an offset.

The following table lists the next protocol parameters for the Ethernet comparator.

**Table 9 • Ethernet Comparator (Next Protocol)**

| Parameter              | Width  | Description   |
|------------------------|--------|---|
| Eth_Nxt_Comparator     | 3 bit  | Pointer to the next comparator.   |
| Eth_Frame_Sig_Offset   | 5 bit  | Points to the start of the field used to build the frame signature.   |
| Eth_VLAN-TPID_CFG      | 16 bit | Globally defines the value of the TPID for an S-tag, B-tag, or any other tag type other than a C-tag or I-tag.  |
| Eth_PBB_ENA            | 1 bit  | Configures if the packet carries PBB or not. This configuration bit is only present in the first Ethernet comparator block. PBB is disabled in Ethernet comparator block 2. |
| Eth_Etype_Match_Enable | 1 bit  | Configures if the Ethernertype field match register is used or not. Only valid when the packet is a type II Ethernet packet.  |
| Eth_Etype_Match        | 16 bit | If the packet is a type II Ethernet packet and Eth_Etype_Match_Enable is a 1, the Ethernertype field in the packet is compared against this value.                          |

### 3.12.15.1.6 Ethernet Flow Comparison

The Ethernet flow is determined by looking at VLAN tags and either the source address (SA) or the destination address (DA). There are a configurable number of these matched sets. The following table lists the flow parameters for the Ethernet comparator.

**Table 10 • Ethernet Comparator (Flow)**

| Parameter        | Width              | Description   |
|------------------|--------------------|---|
| Eth_Flow_Enable  | 1 bit/flow         | 0 = Flow disabled<br>1 = Flow enabled   |
| Eth_Channel_Mask | 1 bit/channel/flow | 0 = Do not use this flow match group for this channel<br>1 = Use this flow match group for this channel |
| Eth_VLAN_Tags    | 2 bit              | Configures the number of VLAN tags in the frame (0, 1, or 2)  |

**Table 10 • Ethernet Comparator (Flow) (continued)**

| Parameter             | Width           | Description  |
|-----------------------|-----------------|--|
| Eth_VLAN_Tag1_Type    | 1 bit           | Configures the VLAN tag type for VLAN tag 1<br>If PBB is not enabled:<br>0 = C-tag, value of 0x8100<br>1 = S-tag, match to the value in CONF_VLAN_TPID (global for all ports/directions)<br>If PBB enabled:<br>0 = S-tag (or B-tag), to the value in CONF_VLAN_TPID (global for all ports/directions)<br>There must be 2 VLAN tags, 1 S-tag and one I-tag<br>1 = I-tag   |
| Eth_VLAN_Tag2_Type    | 1 bit           | Configures the VLAN tag type for VLAN tag 2<br>If PBB is not enabled:<br>0 = C-tag, value of 0x8100<br>1 = S-tag, match to the value in CONF_VLAN_TPID (global for all ports/directions)<br>If PBB enabled:<br>The second tag is always an I-tag and this register control bit is not used. The second tag in PBB is always an I-tag.  |
| Eth_Ethertype_Mode    | 1 bit           | 0 = Only type 2 Ethernet frames supported, no SNAP/LLC expected<br>1 = Type 1 & 2 Ethernet packets supported. Logic looks at the EtherType/length field to determine the packet type. If the field is a length (less than 0x0600), then the packet is a type 1 packet and MUST include a SNAP & 3-byte LLC header. If the field is not a length, it is assumed to be an EtherType and SNAP/LLC must not be present |
| Eth_VLAN_Verify_Ena   | 1 bit           | 0 = Parse for presence of VLAN tags but do not check the values. For PBB mode, the I-tag is still always checked.<br>1 = Verify the VLAN tag configuration including number and value of the tags.   |
| Eth_VLAN_Tag_Mode     | 2 bit           | 0 = No range checking on either VLAN tag<br>1 = Range checking on VLAN tag 1<br>2 = Range checking on VLAN tag 2   |
| Eth_Addr_Match        | 48 bit          | Matches an address field selected by Eth_Addr_Match_Mode   |
| Eth_Addr_Match_Select | 2 bit           | Selects the address to match<br>0 = Match the destination address<br>1 = Match the source address<br>2 = Match either the source or destination address<br>3 = Reserved, do not use  |
| Eth_Addr_Match_Mode   | 3 bits per flow | Selects the address match mode. One or multiple bits can be set in this mode register allowing any combination of match types. For unicast or multicast modes, only the MSB of the address field is checked (0 = unicast; 1 = multicast). See section 3.2.3.1 of IEEE 802.3 for more details.<br>0 = Match the full 48-bit address<br>1 = Match any unicast address<br>2 = Match any multicast address             |

**Table 10 • Ethernet Comparator (Flow) (continued)**

| Parameter                | Width  | Description   |
|--------------------------|--------|---|
| Eth_VLAN_Tag1_Match      | 12 bit | Match field for the first VLAN tag (if configured to be present).   |
| Eth_VLAN_Tag1_Mask       | 12 bit | Mask for the first VLAN tag. If a match set is not used, set this register to all 0s.   |
| Eth_VLAN_Tag2_Match      | 12 bit | Match field for the update VLAN tag (if configured to be present).  |
| Eth_VLAN_Tag2_Mask       | 12 bit | Mask for the second VLAN tag. If a match set is not used, set this register to all 0s.  |
| Eth_VLAN_Tag_Range_Upper | 12 bit | Upper limit of the range for one of the VLAN fields selected by ETH_VLAN_TAG_MODE register. If PBB mode is enabled, this register is not used for range checking but rather is the upper 12 bit of the I-tag.     |
| Eth_VLAN_Tag_Range_Lower | 12 bit | Lower limit of the range for one of the VLAN fields selected by ETH_VLAN_TAG_MODE register. If PBB mode is enabled, this register is not used for range checking but rather is the lower 12 bit of the I-tag SID. |
| Eth_Nxt_Prot_Grp_Sel     | 1 bit  | Per flow, maps a particular flow to a next-protocol group register set. This register only appears in the Ethernet block in the OAM-optimized engine.   |

If the Ethernet block is part of the OAM optimized engine, there are two sets of next-protocol configuration registers. Both sets are identical except one has an *\_A* suffix and the other has a *\_B* suffix. In the per-flow registers an additional register, ETH\_NXT\_PROT\_SEL, is included to map a particular flow with a set of next protocol register set. This function allows the Ethernet block within the OAM-optimized engine to act like two separate engines with a configurable number of flows assignable to each with a total maximum number of eight flows. It effectively allows two separate protocol encapsulation stacks to be handled within the engine.

### 3.12.15.2 MPLS Comparator

The MPLS comparator block counts MPLS labels to find the start of the next protocol. The MPLS header can have anywhere from 1 to 4 labels. Each label is 32 bit long and has the format shown in the following illustration.

**Figure 52 • MPLS Label Format**

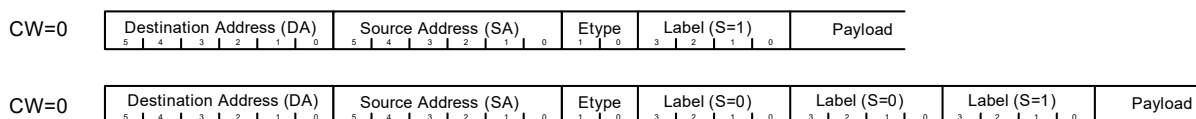


The S bit is used to indicate the last label in the stack, as follows: If S = 0, then there is another label. If S = 1, then this is the last label in the stack.

Also, the MPLS stack can optionally be followed by a control word (CW). This is configurable per flow.

The following illustration shows a simple Ethernet packet with either one label or three labels and no control word.

**Figure 53 • MPLS Label Stack within an Ethernet Frame**



The following illustration shows an Ethernet frame with four labels and a control word. Keep in mind that this comparator is used to compare the MPLS labels and control words; the Ethernet portion is checked in the first stage.

**Figure 54 • MPLS Labels and Control Word**

|      |   |  |              |                        |                        |                        |                        |                    |         |
|------|---|--|--------------|------------------------|------------------------|------------------------|------------------------|--------------------|---------|
| CW=1 | Destination Address (DA)<br>8 7 6 5 4 3 2 1 0 | Source Address (SA)<br>8 7 6 5 4 3 2 1 0 | Etype<br>1 0 | Label (S=0)<br>3 2 1 0 | Label (S=0)<br>3 2 1 0 | Label (S=0)<br>3 2 1 0 | Label (S=1)<br>3 2 1 0 | Control<br>3 2 1 0 | Payload |
|------|---|--|--------------|------------------------|------------------------|------------------------|------------------------|--------------------|---------|

There could be VLAN tags between the SA and the Etype fields and, potentially, an LLC and SNAP header before the MPLS stack, but these would be handled in the Ethernet/LLC/SNAP comparator.

The only configuration registers that apply to all flows within the comparator are the match\_mode register and the nxt\_comparator register. The match mode register determines how the match filters are used and there is one per stage. Each flow has its own complete set of match registers.

**Table 11 • MPLS Comparator: Next Word**

| Parameter           | Width | Description                    |
|---------------------|-------|--------------------------------|
| MPLS_Nxt_Comparator | 3 bit | Pointer to the next comparator |

**Table 12 • MPLS Comparator: Per-Flow**

| Parameter            | Width                      | Description   |                      |                     |   |   |   |   |   |   |   |   |
|----------------------|----------------------------|---|----------------------|---------------------|---|---|---|---|---|---|---|---|
| MPLS_Flow_Enable     | 1 bit per flow             | 0 = Flow disabled<br>1 = Flow enabled   |                      |                     |   |   |   |   |   |   |   |   |
| MPLS_Channel_Mask    | 1 bit per channel per flow | 0 = Do not use this flow match group for this channel<br>1 = Use this flow match group for this channel   |                      |                     |   |   |   |   |   |   |   |   |
| MPLS_Ctl_Word        | 1 bit                      | Indicates if there is a 32-bit control word after the last label. This should only be set if the control word is not expected to be an ACH header. ACH headers are checked in the IP block. If the control word is a non-ACH control word, only the upper 4 bits of the control are checked and are expected to be 0.<br>0 = There is no control word after the last label<br>1 = There is expected to be a control word after the last label |                      |                     |   |   |   |   |   |   |   |   |
| MPLS_REF_PNT         | 1 bit                      | The MPLS comparator implements a searching algorithm to properly parse the MPLS header. The search can be performed from either the top of the stack or the end of the stack.<br>0 = All searching is performed starting from the top of the stack<br>1 = All searching is performed from the end of the stack  |                      |                     |   |   |   |   |   |   |   |   |
| MPLS_STACK_DEPTH     | 4 bit                      | Each bit represents a possible stack depth, as shown in the following list. <table border="1" data-bbox="760 1465 1328 1612"> <thead> <tr> <th>MPLS_STACK_DEPTH Bit</th> <th>Allowed Stack Depth</th> </tr> </thead> <tbody> <tr> <td>0</td> <td>1</td> </tr> <tr> <td>1</td> <td>2</td> </tr> <tr> <td>2</td> <td>3</td> </tr> <tr> <td>3</td> <td>4</td> </tr> </tbody> </table>  | MPLS_STACK_DEPTH Bit | Allowed Stack Depth | 0 | 1 | 1 | 2 | 2 | 3 | 3 | 4 |
| MPLS_STACK_DEPTH Bit | Allowed Stack Depth        |   |                      |                     |   |   |   |   |   |   |   |   |
| 0                    | 1                          |   |                      |                     |   |   |   |   |   |   |   |   |
| 1                    | 2                          |   |                      |                     |   |   |   |   |   |   |   |   |
| 2                    | 3                          |   |                      |                     |   |   |   |   |   |   |   |   |
| 3                    | 4                          |   |                      |                     |   |   |   |   |   |   |   |   |

**Table 13 • MPLS Range\_Upper/Lower Label Map**

| Parameter                | MPLS_REF_PNT = 0,<br>top-of-stack referenced | MPLS_REF_PNT=1,<br>end-of-stack referenced |
|--------------------------|--|--|
| MPLS_Range_Upper/Lower_0 | Top label                                    | Third label before the end label           |
| MPLS_Range_Upper/Lower_1 | First label after the top label              | Second label before the end label          |

**Table 13 • MPLS Range\_Upper/Lower Label Map (continued)**

| Parameter                | MPLS_REF_PNT = 0,<br>top-of-stack referenced | MPLS_REF_PNT=1,<br>end-of-stack referenced |
|--------------------------|--|--|
| MPLS_Range_Upper/Lower_2 | Second label after the top label             | First label before the end label           |
| MPLS_Range_Upper/Lower_3 | Third label after the top label              | End label                                  |

The offset to the next protocol is calculated automatically. It is based upon the number of labels found and whether a control word is configured to be present. It points to the first octet after the last label or after the control word, if present.

**Table 14 • Next MPLS Comparator**

| Parameter        | Width             | Description   |
|------------------|-------------------|---|
| MPLS_Range_Lower | 20 bit × 4 labels | Lower value of the label range when range checking is enabled |
| MPLS_Range_Upper | 20 bit × 4 labels | Upper value of the label range when range checking is enabled |

If an exact label match is desired, set the upper and lower range values to the same value. If a label value is a don't care, then set the upper value to the maximum value and the lower value to 0.

The MPLS comparator block used in the OAM-optimized engine differs from the one used in the PTP-optimized engine.

Just like the Ethernet comparator block, there are two sets of next protocol blocks along with a next protocol association configuration field per-flow. This allows two different encapsulations to occur in a single engine.

**Table 15 • Next-Protocol Registers in OAM-Version of MPLS Block**

| Parameter             | Width          | Description   |
|-----------------------|----------------|---|
| MPLS_Nxt_Prot_Grp_Sel | 1 bit per flow | Maps each flow to next-protocol-register set A or B |

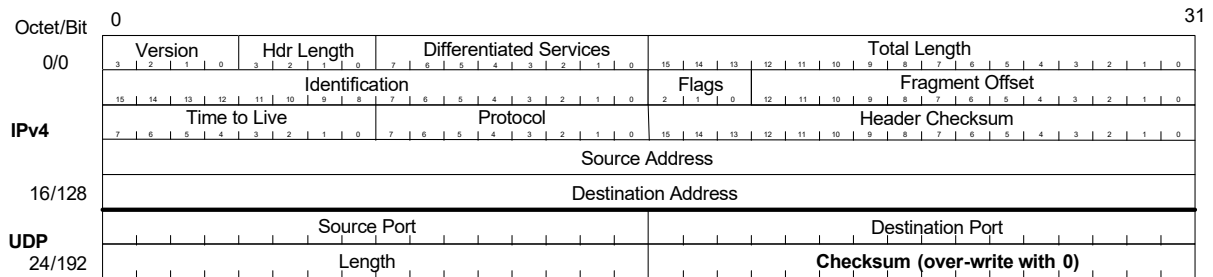
### 3.12.15.3 IP/UDP/ACH Comparator

The IP/UDP/ACH comparator is used to verify one of three possible formats, IPv4, IPv6, and ACH. Additionally, IPv4 and IPv6 can also have a UDP header after the IP header. There are two of these comparators and they can operate at stages 2, 3, or 4 of the analyzer pipeline. Note that if there is an IP-in-IP encapsulation, a UDP header will only exist with the inner encapsulation.

### 3.12.15.4 IPv4 Header Format

The following illustration shows an IPv4 frame header followed immediately by a UDP header. IPv4 does not always have the UDP header, but the comparator is designed to work with or without it. The Header Length field is used to verify the offset to the next protocol. It is a count of 32-bit words and does not include the UDP header. If the IPv4 frame contains a UDP header, the Source and Destination ports are also checked. These values are the same for all flows within the comparator. Note that IPv4 options, extended headers, and UDP fragments are not supported.

Figure 55 • IPv4 with UDP



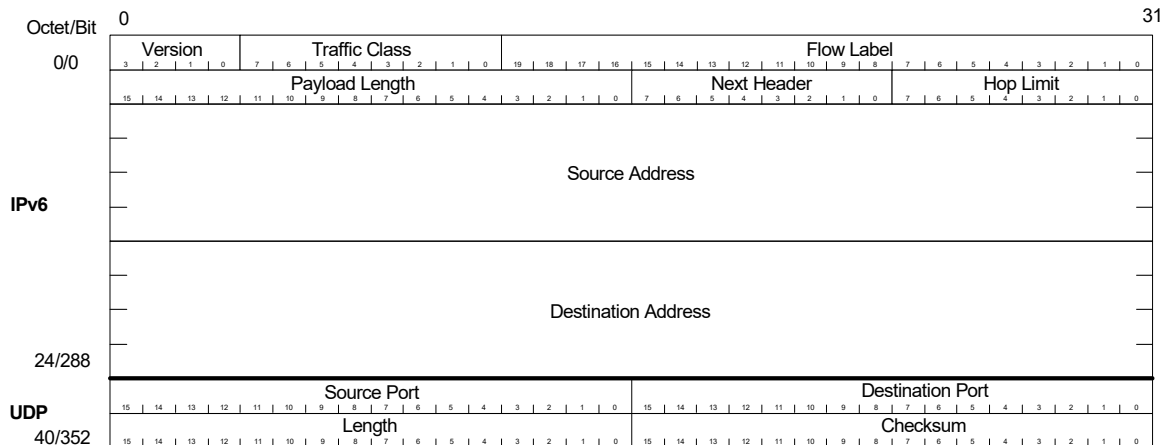
Per flow validation is performed on the Source or Destination Address in the IPv4 header. The comparator can be configured to indicate a match in the flow if the source, destination, or either the source or destination fields match.

**Note:** Checksum overwrite with 0 occurs on ingress only. PTP applications that generate 1588 frames with this format are responsible for creating IPv4/UDP frames with a zeroed checksum upon generation from the application.

### 3.12.15.5 IPv6 Header Format

The following illustration shows an IPv6 frame header followed immediately by a UDP header. IPv6 does not always have the UDP header, but the comparator is designed to work with or without it. The Next Header field is used to verify the offset to the next protocol. It is a count of 32-bit words and does not include the UDP header. If the IPv6 frame contains a UDP header, the Source and Destination ports are also checked. These values are the same for all flows within the comparator.

Figure 56 • IPv6 with UDP



Per flow validation is performed on the Source or Destination Address in the IPv6 header. The comparator can be configured to indicate a match in the flow if the source, destination, or either the source or destination fields match.

If the IPv6 frame is the inner most IP protocol, then the checksum field must be valid. This is accomplished using a pair of pad bytes after the PTP frame. The checksum is computed using one's compliment of the one's compliment sum of the IPv6 header, UDP header, and payload including the pad bytes. If any of the fields in the frame are updated, the pad byte field at the end of the frame will be updated by the PHY so that the checksum field does not have to be modified.

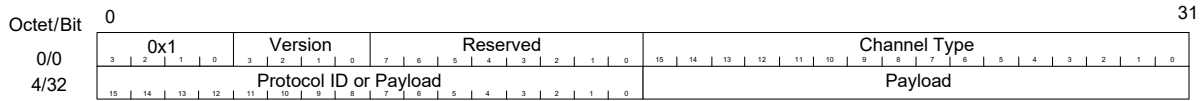
**Note:** IPv6 extension headers are not supported.

### 3.12.15.6 ACH Header Format

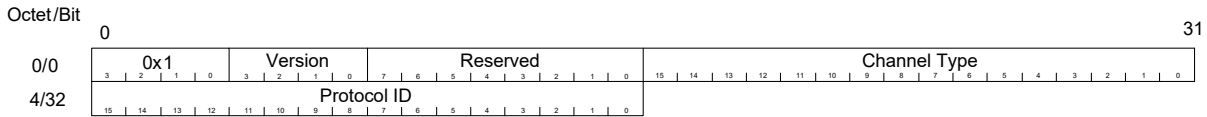
The following illustrations show ACH headers. They can appear after a MPLS label stack in place of the control word. ACH is verified as a protocol only. There are no flows within the protocol for ACH. The ACH

header can optionally have a Protocol ID field. The protocol is verified using the Version, Channel Type, and optional Protocol ID field.

**Figure 57 • ACH Header Format**



**Figure 58 • ACH Header with Protocol ID Field**



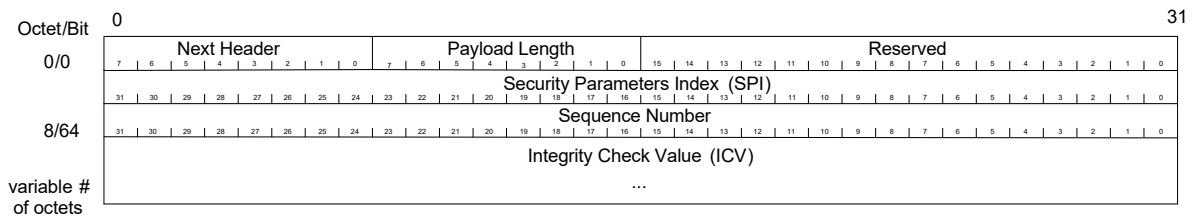
### 3.12.15.7 IPsec

IPsec adds security to the IP frame using an Integrity Check Value (ICV), a variable-length checksum that is encoded with a special key. The key value is known by the sender and the receiver, but not any of the devices in between. A frame must have a correct ICV to be valid. The sequence number field is a continuously incrementing value that is used to prevent replay attacks (resending a known good frame).

Little can be done with frames when IPsec is used because the IEEE 1588 block cannot recalculate the ICV and the frame cannot be modified on egress. Therefore, one-step processing cannot be performed, only two-step processing can be done. The only task here is to verify the presence of the protocol header. Stored time stamps in the TS FIFO are used to create follow-up messages. On ingress, the time stamp can be added to the PTP frame by writing it into the reserved bytes or by overwriting the CRC with it and appending a new CRC. The CPU must know how to handle these cases correctly.

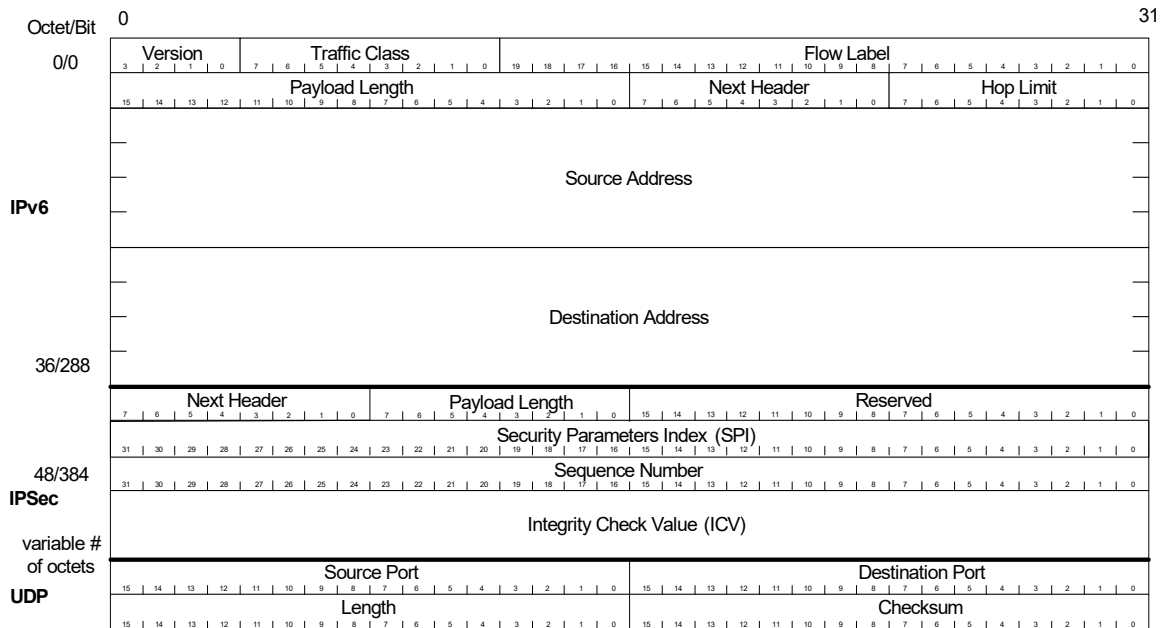
The following illustration shows the format of the IPsec frame. It normally appears between the IP header (IPv4 or IPv6) and the UDP header or at the start of the payload.

**Figure 59 • IPsec Header Format**



There is only one set of match/mask registers associated with IPsec and they are used to verify the presence of the IPsec header. The following illustration shows the largest possible IP frame header with IPv6, IPsec, and UDP.

**Figure 60 • IPv6 with UDP and IPSec**



### 3.12.15.8 Comparator Field Summary

The following table shows a summary of the fields and widths to verify IPv4, IPv6, and ACH protocols.

**Table 16 • Comparator Field Summary**

| Protocol | Next Protocol Fields               | NPF Bit Widths   | Flow Fields                       | Flow Bit Widths   |
|----------|------------------------------------|------------------|-----------------------------------|-------------------|
| IPv4     | Header length                      | One 4-bit field  | Source/<br>Destination<br>Address | One 32-bit field  |
|          | UDP Source/Destination Port        | One 32-bit field |                                   |                   |
| IPv6     | Next header                        | One 8-bit field  | Source/<br>Destination<br>Address | One 128-bit field |
|          | UDP Source/Destination Port        | One 32-bit field |                                   |                   |
| ACH      | Entire ACH header                  | One 64-bit field |                                   |                   |
| IPSec    | Next Header/Payload Length/<br>SPI | One 64-bit field |                                   |                   |



### 3.12.15.8.1 IP/ACH Comparator Next Protocol

The following table shows the registers used to verify the current header protocol and the next protocol. They are universal and cover IPv4, IPv6, and ACH. They can also be used to verify other future protocols.

**Table 17 • IP/ACH Next-Protocol Comparison**

| Parameter         | Width  | Description  |
|-------------------|--------|--|
| IP_Mode           | 2 bit  | Specifies the mode of the comparator. If IPv4 or IPv6 is selected, the version field is automatically checked to be either 4 or 6 respectively. If another protocol mode is selected, then the version field is not automatically checked. In IPv4, the fragment offset field must be 0, and the MF flag bit (LSB of the flag field) must be 0.<br>0 = IPv4<br>1 = IPv6<br>2 = Other protocol, 32-bit address match<br>3 = Other protocol, 128-bit address match |
| IP_Prot_Match_1   | 8 bit  | Match bit for Protocol field in IPv4 or next header field in IPv6  |
| IP_Prot_Mask_1    | 8 bit  | Mask bits for IP_Prot_Match_1. For each bit, if it is a 1, the corresponding match bit is valid. If it is 0, the corresponding match bit is ignored. Disable this match/mask set by setting the mask register to all 0's.  |
| IP_Prot_Offset_1  | 5 bit  | Indicates the starting position relative to the beginning of the IP frame header to start matching for the match/mask 1 register pair.   |
| IP_Prot_Match_2   | 64 bit | Match bits for the IPsec header or any other desired field. For ACH, this register should be used to match the ACH header.   |
| IP_Prot_Mask_2    | 64 bit | Mask bits for IP_Prot_Match_2. For each bit, if it is a 1, the corresponding match bit is valid. If it is 0, the corresponding match bit is ignored. Disable this match/mask set by setting the mask register to all 0's.  |
| IP_Prot_Offset_2  | 7 bit  | Indicates the starting position relative to the beginning of the IP frame header to start matching for the match/mask two-register pair.   |
| IP_Nxt_Protocol   | 8 bit  | Points to the start of the next protocol relative to the beginning of this header. It is the responsibility of the programmer to determine this offset, it is not calculated automatically. Each flow within an encapsulation engine must have the same encapsulation order and each header must be the same length. This field is current protocol header length in bytes.  |
| IP_Nxt_Comparator | 3 bit  | Pointer to the next comparator.<br>0 = Reserved<br>1 = Ethernet comparator 2<br>2 = IP/UDP/ACH comparator 1<br>3 = IP/UDP/ACH comparator 2<br>4 = Reserved<br>5 = PTP/OAM comparator<br>6,7 = Reserved   |
| IP_Flow_Offset    | 5 bit  | Indicates the starting position relative to the beginning of the IP frame header to start matching for the flow match/mask register pair. When used with IPv4 or 6, this will point to the first byte of the source address. When used with a protocol other than IPv4 or 6, this register points to the beginning of the field that will be used for flow matching.   |

**Table 17 • IP/ACH Next-Protocol Comparison (continued)**

| Parameter                  | Width | Description   |
|----------------------------|-------|---|
| IP_UDP_Checksum_Clear_Ena  | 1 bit | If set, the 2-byte UDP checksum should be cleared (written with zeroes). This would only be used for UDP in IPv4.   |
| IP_UDP_Checksum_Update_Ena | 1 bit | If set, the last two bytes in the UDP frame must be updated to reflect changes in the PTP or OAM frame. This is necessary to preserve the validity of the IPv6 UDP checksum.<br>Note that IP_UDP_Checksum_Clear_Ena & IP_UDP_Checksum_Update_Ena should never be set at the same time.  |
| IP_UDP_Checksum_Offset     | 8 bit | This configuration field is only used if the protocol is IPv4. This register points to the location of the UDP checksum relative to the start of this header. This info is used later by the PTP/Y.1731 block to inform the rewriter of the location of the checksum in a UDP frame. This is normally right after the Log Message Interval field. |
| IP_UDP_Checksum_Width      | 2 bit | Specifies the length of the UDP checksum in bytes (normally 2 bytes)  |

The IP/ACH Comparator Flow Verification registers are used to verify the current frame against a particular flow within the engine. When this engine is used to verify IPv4 or IPv6 protocol, the flow is verified using either the source or destination address in the frame.

If the protocol is something other than IPv4 or IPv6, then the flow match can be used to match either a 32 or 128 bit field pointed to by the IP\_Flow\_Offset register. Mask bits can be used to shorten the length of the match, but there is no concept of source or destination address in this mode.

**Table 18 • IP/ACH Comparator Flow Verification Registers**

| Parameter          | Width                      | Description  |
|--------------------|----------------------------|--|
| IP_Flow_Ena        | 1 bit per flow             | 0 = Flow disabled<br>1 = Flow enabled  |
| IP_Flow_Match_Mode | 2 bit per flow             | This register is only valid when the comparator block is configured to match on IPv4 or IPv6. It allows the match to be performed on the source address, destination address, or either address.<br>0 = Match on the source address<br>1 = Match on the destination address<br>2 = Match on either the source or the destination address |
| IP_Flow_Match      | 128 bit                    | Match bits for source & destination address in IPv4 & 6. Also used as the flow match for protocols other than IPv4 or 6. When used with IPv4, only the upper 32 bits are used and the remaining bits are not used.   |
| IP_Flow_Mask       | 128 bit                    | Mask bits for IP_Flow_Match. For each bit, if it is a 1, the corresponding match bit is valid. If it is 0, the corresponding match bit is ignored.   |
| IP_Channel_Mask    | 1 bit per channel per flow | Enable for this match set for this channel   |

**Table 18 • IP/ACH Comparator Flow Verification Registers (continued)**

| Parameter           | Width | Description   |
|---------------------|-------|---|
| IP_Frame_Sig_Offset | 5 bit | Points to the start of the field that will be used to build the frame signature. This register is only present in comparators where frame signature is supported. In other words, if there is no frame signature FIFO in a particular direction, this register will be removed. |

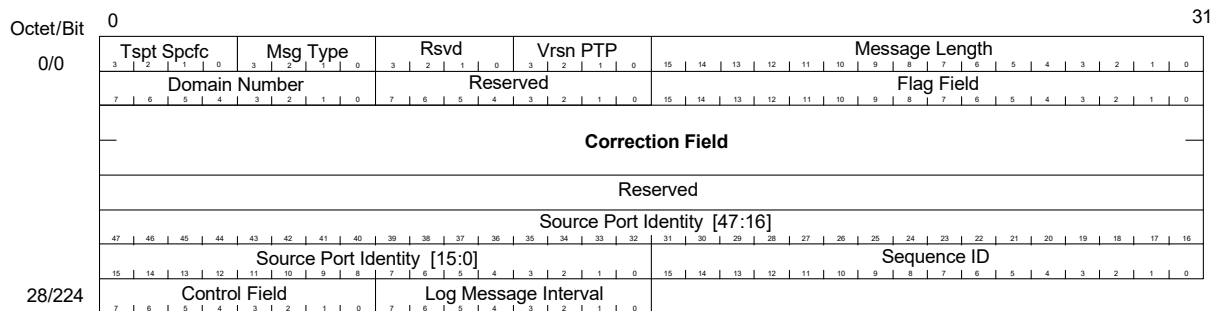
### 3.12.15.9 PTP/OAM Comparator

The PTP/OAM comparator is always the last stage in the analyzer for each encapsulation engine. It can validate IEEE 1588 PTP frames or OAM frames.

### 3.12.15.10 PTP Frame Header

The following illustration shows the header of a PTP frame.

**Figure 61 • PTP Frame Layout**

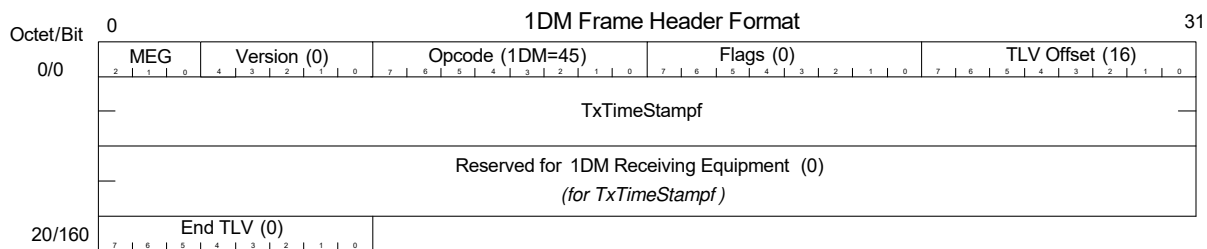


Unlike most of the other stages, there is no protocol validation for PTP frames; only interpretation of the header to determine what action to take. The first eight bytes of the header are used to determine the action to be taken. These match fields in the flow comparison registers with a corresponding set of command registers for each flow.

### 3.12.15.11 Y.1731 OAM Frame Header

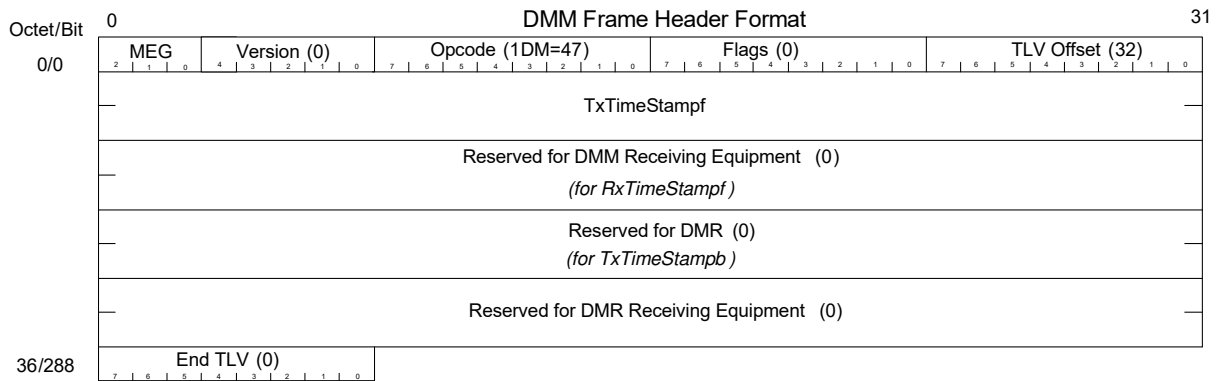
1DM, DMM, and DMR are the three supported Y.1731 frame headers. The following illustration shows the header part of a 1DM Y.1731 OAM frame.

**Figure 62 • OAM 1DM Frame Header Format**



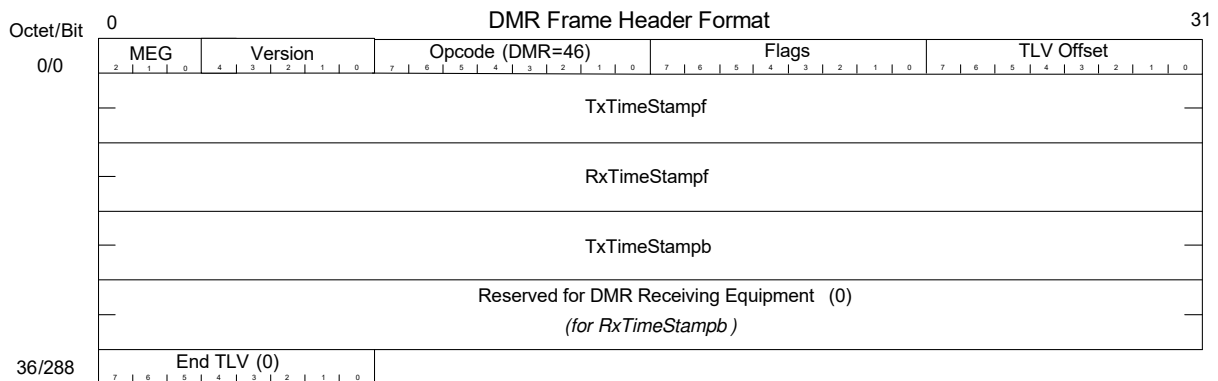
The following illustration shows a DMM frame header.

**Figure 63 • OAM DMM Frame Header Format**



The following illustration shows a DMR frame header.

**Figure 64 • OAM DMR Frame Header Format**



As with PTP, there is no protocol validation for Y.1731 frames; only interpretation of the header to determine what action to take. The first four bytes of the header are used to determine the action to be taken.

### 3.12.15.12Y.1731 OAM PDU

1DM, DMM, and DMR are the three supported G.8113.1 PDUs and DMM/DMR are the two supported RFC6374 PDUs. The following illustrations show the PDU formats.

**Figure 65 • RFC6374 DMM/DMR OAM PDU Format**

|                  |                 |                 |
|------------------|-----------------|-----------------|
|                  | ETH (1)         | 14/18/22B       |
|                  | MPLS labels (2) | 4/8/12/16B      |
|                  | ACH             | 4B              |
| DMM/DMR OAM PDUs | OAM PDU Header  | 8B              |
|                  | Time stamp 1    | 8B              |
|                  | Time stamp 1    | 8B              |
|                  | Time stamp 1    | 8B              |
|                  | Time stamp 1    | 8B              |
|                  | padding         | (variable size) |
|                  | FCS             | 4B              |

- (1) 0, 1, or 2 VLAN tags
- (2) Up to 4 MPLS labels

**Figure 66 • G8113.1/draft-bhh DMM/DMR/1DM OAM PDU Format**

| DMM/DMR          |                   | 1DM        |              |
|------------------|-------------------|------------|--------------|
|                  | ETH (1)           | 14/18/22B  |              |
|                  | MPLS labels (2)   | 4/8/12/16B |              |
|                  | ACH               | 4B         |              |
| DMM/DMR OAM PDUs | OAM PDU Header    | 8B         | 1DM OAM PDUs |
|                  | Time stamp 1      | 8B         |              |
|                  | Time stamp 1      | 8B         |              |
|                  | Time stamp 1      | 8B         |              |
|                  | Time stamp 1      | 8B         |              |
|                  | End TLV indicator | 1B         |              |
|                  | FCS               | 4B         |              |

(1) 0, 1, or 2 VLAN tags  
(2) Up to 4 MPLS labels

As with PTP, there is no protocol validation for MPLS OAM; only interpretation of the header to determine what action to take. The first four bytes of the header are used to determine the action to be taken.

### 3.12.15.13 PTP Comparator Action Control Registers

The following registers perform matching on the frame header and define what action is to be taken based upon the match. There is one mask register for all flows, and the rest of the registers are unique for each flow.

**Table 19 • PTP Comparison**

| Parameter               | Width  | Description   |
|-------------------------|--------|---|
| PTP_Flow_Match          | 64 bit | Matches bits in the PTP/Y.1731 frame starting at the beginning of the protocol header |
| PTP_Flow_Mask           | 64 bit | Mask bits for PTP_Flow_Match  |
| PTP_Domain_Range_Lower  | 8 bit  | Lower range of the domain field to match  |
| PTP_Domain_Range_Upper  | 8 bit  | Upper range of the domain field to match  |
| PTP_Domain_Range_Enable | 1 bit  | Enable for range checking   |
| PTP_Domain_Offset       | 5 bit  | Pointer to the domain field, or whatever field is to be used for range checking       |

**Table 19 • PTP Comparison (continued)**

| Parameter                           | Width | Description   |              |  |
|-------------------------------------|-------|---|--------------|--|
|                                     |       | Command Value   | Mnemonic     | Action   |
| PTP_Action_Command                  | 3 bit | 0   | NOP          | Do nothing   |
|                                     |       | 1   | SUB          | New correction field = Current correction field – Captured local time  |
|                                     |       | 2   | SUB_P2P      | New correction field = Current correction field – Local latency + path_delay   |
|                                     |       | 3   | ADD          | New correction field = Current correction field + Captured local time  |
|                                     |       | 4   | SUB_ADD      | New correction field = Current correction field + (Captured local time + Local latency – Time storage field)                     |
|                                     |       | 5   | WRITE_1588   | Write captured local time to time storage field  |
|                                     |       | 6   | WRITE_P2P    | Active_timestamp_ns = captured local time and path_delay written to time storage field and correction field (deprecated command) |
|                                     |       | 7   | WRITE_NS     | Write local time in nanoseconds to the new field   |
|                                     |       | 8   | WRITE_NS_P2P | Write local time in nanoseconds + p2p_delay to the new field and correction field  |
| PTP_Save_Local_Time                 | 1 bit | When set, saves the local time to the time stamp FIFO (only valid for egress ports).                          |              |  |
| PTP_Correction_Field_Offset         | 5 bit | Points to the location of the correction field. Location is relative to the first byte of the PTP/OAM header. |              |  |
| PTP_Time_Storage_Field_Offset       | 6 bit | Points to a location in a PTP frame where a time value can be stored or read.                                 |              |  |
| PTP_Add_Delay_Asymmetry_Enable      | 1 bit | When enabled, the value in the delay asymmetry register is added to the correction field of the frame.        |              |  |
| PTP_Subtract_Delay_Asymmetry_Enable | 1 bit | When enabled, the value in the delay asymmetry register is subtracted from the correction field of the frame. |              |  |
| PTP_Zero_Field_Offset               | 6 bit | Points to a location in the PTP/OAM frame to be zeroed if this function is enabled                            |              |  |
| PTP_Zero_Field_Byte_Count           | 4 bit | The number of bytes to be zeroed. If this field is 0, then this function is not enabled.                      |              |  |

**Table 19 • PTP Comparison (continued)**

| Parameter                        | Width                      | Description  |
|----------------------------------|----------------------------|--|
| PTP_Modified_Frame_Byte_Offset   | 3 bit                      | Indicates the position relative to the start of the PTP frame in bytes where the Modified_Frame_Status bit resides. This value is also used to calculate the offset from the beginning of the Ethernet packet to this field for use by the Rewriter. |
| PTP_Modified_Frame_Status_Update | 1 bit                      | If set, tells the rewriter to update the value of this bit. Configuration registers inside the rewriter indicate if the bit will be set to 0 or 1.   |
| PTP_Rewrite_Bytes                | 4 bits                     | Number of bytes in the PTP or OAM frame that must be modified by the Rewriter for the time stamp   |
| PTP_Rewrite_Offset               | 8 bits                     | Points to where in the frame relative to the SFD that the time stamp should be updated   |
| PTP_New_CF_Loc                   | 8 bits                     | Location where the updated correction field value is written relative to the PTP header start  |
| PTP_Channel_Mask                 | 1 bit per channel per flow | Enable for this match set for this channel   |
| PTP_Flow_Enable                  | 1 bit                      | When set, the fields associated with this flow are all valid   |

The following table shows controls that are common to all flows.

**Table 20 • PTP Comparison: Common Controls**

| Parameter         | Width  | Description  |
|-------------------|--------|--|
| PTP_IP_CHKSUM_Sel | 1 bit  | 0 = Use IP checksum controls from comparator 1<br>1 = Use IP checksum controls from comparator 2 |
| FSB_Adr_Sel       | 2 bits | Selects the source of the address for use in the frame signature builder                         |

The following table shows the one addition, per-flow, register.

**Table 21 • PTP Comparison: Additions for OAM-Optimized Engine**

| Parameter               | Width  | Description   |
|-------------------------|--------|---|
| PTP_NXT_Prot_Group_Mask | 2 bits | There are two bits for each flow. Each bit indicates if the flow can be associated with next-protocol group A or B. One or both bits may be set. If a bit is 1 for a particular next-protocol group, then a flow match is valid if the prior comparator stages also produced matches with the same next-protocol group. |

### 3.12.15.14 Future Protocol Compatibility

Except for MPLS, the comparators are not hardwired to their intended protocols. They can be used as generic field and range comparators because all of the offsets or pointers to the beginning of the fields are configurable. The IP comparator is the most generic and would probably be the first choice for validating a new protocol.

Additionally, if there are not enough comparison resources in a single comparator block to handle a new protocol, two comparators back-to-back can be used by splitting up the comparison work. One portion can be validated in one comparator and then handed off to another. The only restriction is that there must be

at least one 64-bit word of separation between the start of the protocol and where the second starts to operate.

### 3.12.15.15 Reconfiguration

There are three ways to perform reconfiguration:

1. Disable an entire encapsulation engine.  
Once an engine has been disabled, any of the configuration registers associated with it may be modified in any order. If other encapsulation engines are still active, they will still operate normally.
2. Disable a flow in an active engine.  
Each stage in the engine has an enable bit for each flow. If a flow is disabled in a stage, its registers may be modified. Once reconfiguration for a flow in a stage is complete, it can be enabled.
3. Disable a comparator.  
Each comparator within the active encapsulation engine can be disabled. If an Ethernet header according to the configuration Type I or Type II with SNAP/LLC is not found then subsequent flows will not be matched. The ETH1 comparator can also be disabled so that all frames flowing through the IEEE 1588 block are time stamped.

The disabling of engines and flows is always done in a clean manner so that partial matches do not occur. Flows and engines are always enabled or disabled during inter-packet gaps or at the end of a packet. This guarantees that when a new packet is received that it will be analyzed cleanly.

If strict flow matching is enabled and a flow is disabled in one of the stages, then the entire flow is automatically disabled.

If any register in a stage that applies to all flows needs to be modified, then the entire encapsulation engine must be disabled.

### 3.12.15.16 Frame Signature Builder

Along with time stamp and CRC updates, the analyzer outputs a frame signature that can be stored in the time stamp FIFO to help match frames with other info in the FIFO. This information is used by the CPU so that it can match time stamps in the time stamp FIFO with actual frames. The frame signature is up to 16 bytes long and contains information from the Ethernet header (SA or DA), IP header (SA or DA), and from the PTP or OAM frame. The frame signature is only used in the egress direction.

The PTP block contains a set of mapping registers to configure which bytes are mapped into the frame signature. The following tables show the mapping for each byte.

**Table 22 • Frame Signature Byte Mapping**

| Select | Source Byte                          |
|--------|--------------------------------------|
| 0-23   | PTP header byte number = (31-select) |
| 24     | PTP header byte number 6             |
| 25     | PTP header byte number 4             |
| 26     | PTP header byte number 0             |
| 27     | Reserved                             |
| 28-35  | Selected address byte (select-28)    |

**Table 23 • Frame Signature Address Source**

| Parameter        | Width  | Description   |
|------------------|--------|---|
| FSB_Map_Reg_0-15 | 6 bits | For each byte of the frame signature, use <a href="#">Table 22</a> , page 66 to select which available byte is used. Frame signature byte 0 is the LSB. If not all 16 bytes are needed, the frame signature should be packed towards the LSB and the upper unused byte configuration values do not need to be programmed. |



**Table 23 • Frame Signature Address Source (continued)**

| Parameter    | Width            | Description  |              |                |   |                  |   |                  |   |            |   |            |
|--------------|------------------|--|--------------|----------------|---|------------------|---|------------------|---|------------|---|------------|
| FSB_Adr_Sel  | 2 bits           | Selects the source of the address for use in the frame signature builder according to the following list   |              |                |   |                  |   |                  |   |            |   |            |
|              |                  | <table border="1"> <thead> <tr> <th>Select Value</th> <th>Address Source</th> </tr> </thead> <tbody> <tr> <td>0</td> <td>Ethernet block 1</td> </tr> <tr> <td>1</td> <td>Ethernet block 2</td> </tr> <tr> <td>2</td> <td>IP block 1</td> </tr> <tr> <td>3</td> <td>IP block 2</td> </tr> </tbody> </table> | Select Value | Address Source | 0 | Ethernet block 1 | 1 | Ethernet block 2 | 2 | IP block 1 | 3 | IP block 2 |
| Select Value | Address Source   |  |              |                |   |                  |   |                  |   |            |   |            |
| 0            | Ethernet block 1 |  |              |                |   |                  |   |                  |   |            |   |            |
| 1            | Ethernet block 2 |  |              |                |   |                  |   |                  |   |            |   |            |
| 2            | IP block 1       |  |              |                |   |                  |   |                  |   |            |   |            |
| 3            | IP block 2       |  |              |                |   |                  |   |                  |   |            |   |            |

Configuration registers in each comparator block supply an address to select if it is the source address or the destination address.

A frame signature can be extracted from frames matching in all the three engines. The frame signature address selection is limited to Ethernet Block1 because only a limited number of encapsulations are supported in the third engine, Engine C.

Engine C has two parts: part A and part B. Part A supports ETH1, ETH2, MPLS protocols while part B supports only ETH1 protocol. Selection of Ethernet block 1 or 2 is dependent on whether part A flow matches or part B flow matches.

If a frame matches part A flow configuration, then the frame signature as configured in ETH1\_NXT\_PROTOCOL\_A and ETH2\_NXT\_PROTOCOL\_A using FSB\_ADR\_SEL will be considered in computing the frame signature.

If a frame matches part B flow configuration, then the frame signature as configured in ETH1\_NXT\_PROTOCOL\_A and FSB\_ADR\_SEL will be considered in computing the frame signature. In this configuration if FSB\_ADR\_SEL is set to 1, to select ETH2 then all zeros are padded as frame signature because ETH2 is not supported by part B.

### 3.12.15.17 Configuration Sharing

The analyzer configuration services both channels. Each flow within each comparator has a channel-mask register that indicates which channels the flow is valid for. Each flow can be valid for channel A, channel B, or both channels.

A total of eight flows can be allocated the two channels if the analyzer configuration cannot be shared. They can each have four distinct flows (or three for the one, and five for the other, etc.).

### 3.12.15.18 OAM-Optimized Engine

The OAM optimized engine, Engine C, supports a fewer set of encapsulations such as ETH1, ETH2, MPLS, and ACH. Engine C is enhanced with an ACH comparator to support the MPLS-TP OAM protocol. The MPLS-TP OAM protocol for Engine C is configured in the following registers.

- EGR2\_ACH\_PROT\_MATCH\_UPPER/LOWER\_A
- EGR2\_ACH\_PROT\_MASK\_UPPER/LOWER\_A
- EGR2\_ACH\_PROT\_OFFSET\_A

The ACH comparator will start the comparison operation right after the MPLS comparator.

In addition to the descriptions of the Ethernet and MPLS blocks in the OAM optimized engine, there is the notion of protocol-A/protocol-B. When a match occurs in the Ethernet 1 block the status of the protocol set that produced the match is indicated. There are two bits, one for protocol A and another for protocol B. If both sets produce a match, then both bits are set.

These bits are then carried to the next comparison block and only allow flow matches for the protocol sets that produced matches in the prior block. This block also produces a set of protocol match bits that are also carried forward.

This feature is provided to prevent a match with protocol set A in the first block and protocol set B in the second block.

### 3.12.16 Time Stamp Processor

The primary function of the time stamp processor block is to generate a new `Timestamp_field` or new `Correction_field` (Transparent clocks) for the rewriter block. The time stamp block generates an output that is either a snapshot of the corrected Local Time (struct time stamp) or a signed (two's complement) 64 bit `Correction_field`.

In the ingress direction, the time stamp block calculates a new time stamp for the rewriter that indicates the earlier time when the corresponding PTP event frame entered the chip (crossed the reference plane referred to in the IEEE 1588 standard).

In the egress direction, the time stamp block calculates a new time stamp for the rewriter in time for the PCS block to transmit the new time stamp field in the frame. In this case the time stamp field indicates when the corresponding PTP event frame will exit the chip.

Transparent clocks correct PTP event messages for the time resided in the transparent clock. Peer-to-Peer transparent clocks additionally correct for the propagation time on the inbound link (`Path_delay`). The `Path_delay [ns]` input to the time stamp block is software programmed based upon IEEE 1588 path delay measurements.

In general, the IEEE 1588 standard allows for a transparent clock to update the `Correction_Field` for both PTP event messages as well as the associated follow up message (for two-step operation). However, the TSP only updates PTP event messages. Also, the IEEE 1588 standard allows that end-to-end transparent clocks correct and forward all PTP-timing messages while Peer-to-Peer transparent clocks only correct and forward Sync and Follow\_Up messages. Again, the TSP only updates PTP event messages (not Follow\_Up messages).

Internally, the time stamp block generates an `Active_timestamp` from the captured/time stamped Local time (`Raw_timestamp`). The `Active_time` stamp is the `Raw_timestamp` corrected for the both fixed (programmed) local chip, and variable chip latencies relative to where the `Start_of_Frame_Indicator` captures the local time. The time stamp block operates on the `Active_timestamp` based on the Command code.

The `Active_timestamp` is calculated differently in the Ingress and Egress directions and the equations are given below.

In the ingress direction:

$$\text{Active\_timestamp} = \text{Raw\_timestamp} - \text{Local\_latency} - \text{Variable\_latency}$$

In the egress direction:

$$\text{Active\_timestamp} = \text{Raw\_timestamp} + \text{Local\_latency} + \text{Variable\_latency}$$

In addition, the following values are also calculated for use by the commands:

$$\text{Active\_timestamp\_ns} = \text{Active\_timestamp converted to nanoseconds}$$

$$\text{Active\_timestamp\_p2p\_ns} = \text{active\_timestamp\_ns} + \text{path delay}$$

The `Local_latency` is a programmed fixed value while the `Variable_latency` is predicted from the PCS logic based upon the current state of the ingress or egress data pipeline.

For the option of Peer-to-Peer transparent clocks, the ingress `Active_timestamp` calculation includes an additional `Path_delay` component. The path delay is always added for a transparent clock per the standard. The path delay is always added to the correction field.

The signed 32-bit two's complement Delay Asymmetry register (bits 31–0) can be programmed by the user. Bit 31 is the sign bit. Bits 15–0 are scaled nanoseconds just like for the `CorrectionField` format. The `DelayAsymmetry` register (whether it be positive or negative) will be sign extended and added to the 64-bit correction field (signed add) if the `Add_Delay_Asymmetry` bit is set. The `DelayAsymmetry` register (whether it be positive or negative) will be sign extended and subtracted from the 64-bit correction field (signed Subtract) if the `Subtract_Delay_Asymmetry` bit is set.

The time stamp block keeps a shadow copy of the programmed latency values (`Local_latency`, `Path_delay`, and `Delay_Asymmetry`) to protect against CPU updates.

### 3.12.17 Time Stamp FIFO

The time stamp FIFO stores time stamps along with frame signature information. This information can be read out by a CPU or pushed out on a dedicated Serial Time Stamp Output Interface and used in 2-step processing mode to create follow-up messages. The time stamp FIFO is only present in the egress data path.

The time stamp FIFO takes a frame signature from the analyzer and the updated correction field, and the full data set for that time stamp is saved to the FIFO. This creates an interrupt to the CPU. If the FIFO ever overflows this is indicated with an interrupt.

The stored frame signature can be of varying sizes controlled by the EGR\_TSFIFO\_CSR.EGR\_TS\_SIGNAT\_BYTES register. Only the indicated number of signature bytes is saved with each time stamp. The saved values are packed so that reducing the number of signature bytes allows more time stamps to be saved.

The packing of the time stamp data is done by logic before the write occurs to the FIFO. When no compression is used, each time stamp may contain 208 bits of information consisting of 128 bits of frame signature and 80 bits of time stamp data. Therefore a full sized time stamp is 26 bytes long. Compressing the frame signature can reduce this to as little as 10 bytes (or 4 bytes if EGR\_TSFIFO\_CSR.EGR\_TS\_4BYTES = 1) if no signature information is saved (EGR\_TSFIFO\_CSR.EGR\_TS\_SIGNAT\_BYTES = 0). The value to store is built up in an internal register. When the register contains 26 valid bytes, that data is written to the time stamp FIFO. Data in the FIFO is packed end-to-end. It is up to the reader of the data to unpack the data.

The time stamps in the FIFO are visible and accessible for the CPU as a set of 32-bit registers. Multiple register reads are required to read a full time stamp if all bits are used. Bit 31 in register EGR\_TSFIFO\_0 contains the current FIFO empty flag, which can be used by the CPU to determine if the current time stamps are available for reading. If the bit is set, the FIFO is empty and no time stamps are available. The value that was read can be discarded because it does not contain any valid time stamp data. If the bit is 0 (deasserted), the value contains 16 valid data bits of a time stamp. The remaining bits should be read from the other registers in the other locations and properly unpacked to recreate the time stamp. Care should be taken to read the time stamps one at a time as each read of the last (7th) address will trigger a pop of the FIFO.

Time stamps are packed into seven registers named EGR\_TSFIFO\_0 to EGR\_TSFIFO\_6. If the time stamp FIFO registers are read to the point that the FIFO goes empty and there are remaining valid bytes in the internal packing register, then the packing register is written to the FIFO. In this case the registers may not be fully packed with time stamps. Flag bits are used to indicate where the valid data ends within the set of seven registers. The flag bits are in register EGR\_TSFIFO\_0.EGR\_TS\_FLAGS (together with the empty flag) and are encoded as follows:

- 000 = Only a partial time stamp is valid in the seven register set
- 001 = One time stamp begins in the current seven register set
- 010 = Two time stamps begin in the current seven register set.
- 011 = Three time stamps begin in the current seven register set (4-byte mode)
- 100 = Four time stamps begin in the current seven register set (4-byte mode)
- 101 = Five time stamps begin in the current seven register set (4-byte mode)
- 110 = Six time stamps begin in the current seven register set (4-byte mode)
- 111 = The current seven register set is fully packed with valid time stamp data

The FIFO empty bit is visible in the EGR\_TSFIFO\_0.EGR\_TS\_EMPTY register so the CPU can poll this bit to know when time stamps are available. There is also a maskable interrupt which will assert whenever the time stamp FIFO level reaches the threshold given in EGR\_TSFIFO\_CSR.EGR\_TS\_THRESH register. The FIFO level is also visible in the EGR\_TSFIFO\_CSR.EGR\_TS\_LEVEL register. If the time stamp FIFO overflows, writes to the FIFO are inhibited. The data in the FIFO is still available for reading but new time stamps are dropped.

**Note:** Time stamp FIFO exists only in the Egress direction. There is no time stamp FIFO in the Ingress direction

### 3.12.18 Serial Time Stamp Output Interface

For each IEEE 1588 Processor 0 and 1, time stamp information stored in the Egress direction can be read through either the register interface or through the Serial Time Stamp interface. These two ways to read registers are mutually exclusive. While enabling/disabling the serial interface is done on a Processor level, only one serial interface exists. This means the serial interface can be enabled for Processor 0, while the time stamp FIFO can be read through registers for Processor 1. If the serial interface is enabled for both Processor 0 and 1, then the serial interface will arbitrate between two Egress time stamp FIFOs in Processor 0 and 1 and push the data out.

The time stamp FIFO serial interface block writes, or pushes, time stamp/frame signature pairs that have been enqueued and packed into time stamp FIFOs to the external chip interface consisting of three output pins: 1588\_SPI\_DO, 1588\_SPI\_CLK, and 1588\_SPI\_CS. There is one interface for all channels.

When the serial interface (SPI) is enabled, the time stamp/frame signature pairs are dequeued from time stamp FIFO(s) and unpacked. Unpacked time stamp/frame signature pairs are then serialized and sent one at a time to the external interface. Unpacking shifts the time stamp/frame signature into alignment considering the configured size of the time stamps and frame signatures (a single SI write may require multiple reads from a time stamp FIFO). The time stamp FIFO serial interface is an alternative to the MDIO register interface described in the time stamp FIFO section. When the serial time stamp interface is enabled in register TS\_FIFO\_SI\_CFG.TS\_FIFO\_SI\_ENA, data read from the time stamp FIFO registers described in [Time Stamp FIFO](#), page 69 are invalid.

Time stamp/Frame signature pairs from two egress time stamp FIFOs are serialized one at a time and transmitted to the interface pins. The TS\_FIFO\_SI arbitrates in a round-robin fashion between the ports that have non-empty time stamp FIFOs. The port associated with each transmitted time stamp/frame signature pair is indicated in a serial address that precedes the data phase of the serial transmission. Because the time stamp FIFOs are instantiated in the per port clock domains, a small single entry asynchronous SI FIFO (per port) ensures that the time stamp/frame signature pairs are synchronized, staged, and ready for serial transmission. When an SI FIFO is empty, the SI FIFO control fetches and/or unpacks a single time stamp/frame signature performing any time stamp FIFO dequeues necessary. The SI FIFO goes empty following the completion of the last data bit of the serial transmission. Enabled ports (TS\_FIFO\_SI\_CFG.TS\_FIFO\_SI\_ENA) participate in the round-robin selection.

Register TS\_FIFO\_SI\_TX\_CNT accumulates the number of time stamp/frame signature pairs transmitted from the serial time stamp interface for each channel. Register EGR\_TS\_FIFO\_DROP\_CNT accumulates the number of time stamp/frame signature pairs that have been dropped per channel due to a time stamp FIFO overflow.

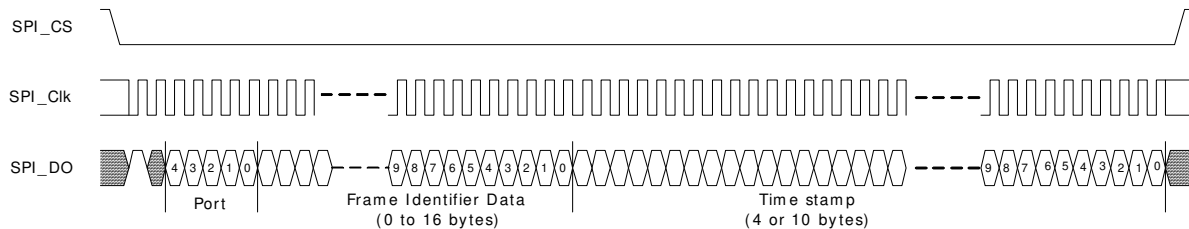
The SPI compatible interface asserts a chip select (SPI\_CS) for each write followed by a write command data bit equal to 1, followed by a don't care bit (0), followed by an address phase, followed by a data phase, followed by a deselect where SPI\_CS is negated. Each write command corresponds to a single time stamp/frame signature pair. The length of the data phase depends upon the sum of the configured lengths of the time stamp and signature, respectively. The address phase is fixed at five bits. The SPI\_CLK is toggled to transfer each SPI\_DO bit (as well as the command and address bits). The Time Stamp and Frame Identifier Data from the following illustration are sent MSB first down to LSB (bit 0) in the same format as stored in the seven registers of TS FIFO CSRs. For more information, see [Time Stamp FIFO](#), page 69 and [Figure 67](#), page 71.

The frequency of the generated output 1588\_SPI\_CLK can be flexibly programmed from 10 MHz up to 62.5 MHz using TS\_FIFO\_SI\_CFG to set the number of CSR clocks that the 1588\_SPI\_CLK is both high and low. For example, to generate a 1588\_SPI\_CLK that is a divide-by-6 of the CSR clock, the CSR register would be set such that both SI\_CLK\_LO\_CYCS and SI\_CLK\_HI\_CYCS equal 3. Also, the number of CSR clocks after SPI\_CS asserts before the first 1588\_SPI\_CLK is programmable (SI\_EN\_ON\_CYCS), as is the number of clocks before SI\_EN negates after the last 1588\_SPI\_CLK (SI\_EN\_OFF\_CYCS). The number of clocks during which SI\_EN is negated between writes is also programmable (SI\_EN\_DES\_CYCS). The 1588\_SPI\_CLK may also be configured to be inverted (SI\_CLK\_POL).

Without considering de-selection between writes, if the PTP 16-byte SequenceID (frame signature) is used as frame identifier each 10 byte time stamp write take  $2 + 55 + 10 \times 8 + 16 \times 8 = 265$  clocks (at

40 MHz) ~6625 ns. This corresponds to a time stamp bandwidth of > 0.15 M time stamp/second/port. The following illustration shows the serial time stamp/frame signature output.

**Figure 67 • Serial Time Stamp/Frame Signature Output**



### 3.12.19 Rewriter

When the rewriter block gets a valid indication it overwrites the input data starting at the offset specified in Rewrite\_offset and replaces N bytes of the input data with updated N bytes. Frames are modified by the rewriter as indicated by the analyzer-only PTP/OAM frames are modified by the rewriter.

The output of the rewriter block is the frame data stream that includes both unmodified frames and modified PTP frames. The block also outputs a count of the number of modified PTP frames in INGR\_RW\_MODFRM\_CNT/EGR\_RW\_MODFRM\_CNT, depending upon the direction. This counter accumulates the number of PTP frames to which a write was performed and includes errored frames.

#### 3.12.19.1 Rewriter Ethernet FCS Calculation

The rewriter block has to recalculate the Ethernet CRC for the PTP message to modify the contents by writing a new time stamp or clear bytes. Two versions of the Ethernet CRC are calculated in accordance with IEEE 802.3 Clause 3.2.9: one on the unmodified input data stream and one on the modified output data stream. The input frame FCS is checked against the input calculated FCS and if the values match, the frame is good. If they do not, then the frame is considered a bad or errored frame. The new calculated output FCS is used to update the FCS value in the output data frame. If the frame was good, then the FCS is used directly. If the frame was bad, the calculated output FCS is inverted before writing to the frame. Each version of the FCS is calculated in parallel by a separate FCS engine.

A count of the number of PTP/OAM frames that are in error is kept in the INGR\_RW\_FCS\_ERR\_CNT or EGR\_RW\_FCS\_ERR\_CNT register, depending upon the direction.

#### 3.12.19.2 Rewriter UDP Checksum Calculation

For IPv6/UDP, the rewriter also calculates the value to write into the dummy blocks to correct the UDP checksum. The checksum correction is calculated by taking the original frame's checksum, the value in the dummy bytes, and the new data to be written; and using them to modify the existing value in the dummy byte location. The new dummy byte value is then written to the frame to ensure a valid checksum. The location of the dummy bytes is given by the analyzer. The UDP checksum correction is only performed when enabled using the following register bits:

- INGR\_IP1\_UDP\_CHKSUM\_UPDATE\_ENA
- INGR\_IP2\_UDP\_CHKSUM\_UPDATE\_ENA
- EGR\_IP1\_UDP\_CHKSUM\_UPDATE\_ENA
- EGR\_IP2\_UDP\_CHKSUM\_UPDATE\_ENA

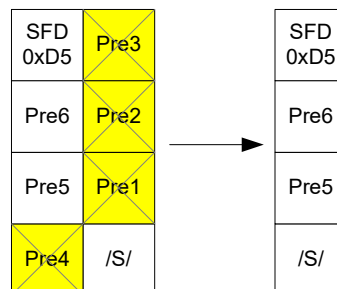
Based upon the analyzer command and the rewriter configuration, the rewriter writes the time stamp in one of the following ways:

- Using PTP\_REWRITE\_BYTES to choose four bytes write to PTP\_REWRITE\_OFFSET. This method is similar to other PTP frame modifications and the time stamp is typically written to the reserved field in the PTP header.
- Using PTP\_REWRITE\_BYTES and RW\_REDUCE\_PREAMBLE to select the mode of operation when writing Rx time stamps into the frame. In these modes, it cannot do both a time stamp write/append and a PTP operation in the same frame. If PTP\_REWRITE\_BYTES = 0xE and RW\_REDUCE\_PREAMBLE = 1, it does it by overwriting the existing FCS with the time stamp in the lowest four bytes of the calculated time stamp and generating a new FCS and appending it.

Because the rewriter cannot modify the IFG or change the size of the frame, if the original FCS is overwritten with time stamp data a new FCS needs to be appended and the frame shortened by reducing the preamble. The preamble length includes the /S/ character and all preamble characters up to but not including the SFD. In this mode, it is assumed that all incoming preambles are of sufficient (5 to 7-byte) length to delete four bytes and the preamble of every frame (not only PTP frames) will be reduced by four bytes by deleting four bytes of the preamble. Then, the new FCS is written at the end of the matched frame. For unmatched frames, or if the PTP\_REWRITE\_BYTES is anything but 0xE, the IFG is increased by adding four IDLE (/I/) characters after the /T/ which ends the packet.

To time stamp a frame in one of the modes, the actual length of the preamble is then checked and if the preamble is too short to allow a deletion of four bytes (if the preamble is not five bytes or more) then no operations are performed on the preamble, the FCS is not overwritten, and no time stamp is appended. For all such frames, a counter is maintained and every time an unsuccessful operation is encountered, the counter is incremented. This counter is read through register: INGR\_RW\_PREAMBLE\_ERR\_CNT/EGR\_RW\_PREAMBLE\_ERR\_CNT. The following illustration shows the deleted preamble bytes.

**Figure 68 • Preamble Reduction in Rewriter**



If PTP\_REWRITE\_BYTES = 0xF and RW\_REDUCE\_PREAMBLE = 0, the rewriter replaces the FCS of the frame with the four lowest bytes of the calculated time stamp and does not write the FCS to the frame. In this mode, all the frames have corrupted FCSs and the MAC needs to be configured to handle this case. In the case of a CRC error in the original frame, the rewriter writes all ones (0xFFFFFFFF) to the FCS instead of the time stamp. This indicates an invalid CRC to the MAC because this is reserved to indicate an invalid time stamp. In the rare case that the actual time stamp has the value 0xFFFFFFFF and the CRC is valid, the rewriter increments the time stamp to 0x0 and writes that value instead. This causes an error of 1 ns but is required to reserve the time stamp value of 0xFFFFFFFF for frames with an invalid CRC.

A flag bit may also be set in the PTP message header to indicate that the TSU has modified the frame (when set) or to clear the bit (on egress). The analyzer sends the byte offset of the flag byte to the rewriter in PTP\_MOD\_FRAME\_BYTE\_OFFSET and indicates whether the bit should be modified or not using PTP\_MOD\_FRAME\_STATUS\_UPDATE. The bit offset within the byte is programmed in the configuration register RW\_FLAG\_BIT. When the PTP frame is being modified, the selected bit is set to the value in the RW\_FLAG\_VAL. This only occurs when the frame is being modified by the rewriter; when the PTP frame matches and the command is not NOP.

### 3.12.20 Local Time Counter

The local time counter keeps the local time for the device and the time is monitored and synchronized to an external reference by the CPU. The source clock for the counter is selected externally to be a 250 MHz, 200 MHz, 125 MHz, or some other frequency. The clock may be a line clock or the dedicated 1588\_DIFF\_INPUT\_CLKP/N pins. The clock source is selected in register LTC\_CTRL.LTC\_CLK\_SEL.

To support other frequencies, a flexible counter system is used that can convert almost any frequency in the 125–250 MHz range into a usable source clock. Supported frequencies of local time counter are 125 MHz, 156.25 MHz, 200 MHz, and 250 MHz. The frequency is programmed in terms of the clock period. Set the LTC\_SEQUENCE.LTC\_SEQUENCE\_A register to the clock period to the nearest whole number of nanoseconds to be added to the local time counter on each clock cycle. Set LTC\_SEQ.LTC\_SEQ\_E to the amount of error between the actual clock period and the



LTC\_SEQUENCE.LTC\_SEQUENCE\_A setting in femtoseconds. Register LTC\_SEQ.LTC\_SEQ\_ADD\_SUB indicates the direction of the error. An internal counter keeps track of the accumulated error. When the accumulated error exceeds 1 nanosecond, an extra nanosecond is either added or subtracted from the local time counter. Use the following as an example to program a 5.9 ns period:

```
LTC_SEQUENCE.LTC_SEQUENCE_A = 6 (6 ns)
LTC_SEQ.LTC_SEQ_E = 10000 (0.1 ns)
LTC_SEQ.LTC_SEQ_ADD_SUB = 0 (subtract an extra nanosecond, i.e add 5 ns)
```

To support automatic PPM adjustments, an internal counter runs on the same clock as the local time counter, and increments using the same sequence to count nanoseconds. The maximum (rollover) value of the internal counter in nanoseconds is given in register

LTC\_AUTO\_ADJUST.LTC\_AUTO\_ADJUST\_NS. At rollover, the next increment of the local time counter is increased by one additional or one less nanosecond as determined by the LTC\_AUTO\_ADJUST.LTC\_AUTO\_ADD\_SUB\_1NS register. When LTC\_AUTO\_ADJUST.LTC\_AUTO\_ADD\_SUB\_1NS is set to 0x1, an additional nanosecond is added to the local time counter. When it is set to 0x2, one less nanosecond is added to the local timer counter. No PPM adjustments are made when the register is set to 0x0 or 0x3.

PPM adjustments to the local time counter can be made on an as-needed basis by writing to the one-shot LTC\_CTRL.LTC\_ADD\_SUB\_1NS\_REQ register. One nanosecond is added or subtracted from the local time counter each time LTC\_CTRL.LTC\_ADD\_SUB\_1NS\_REQ is asserted. The LTC\_CTRL.LTC\_ADD\_SUB\_1NS register setting controls whether the local time counter adjustment is an addition or a subtraction.

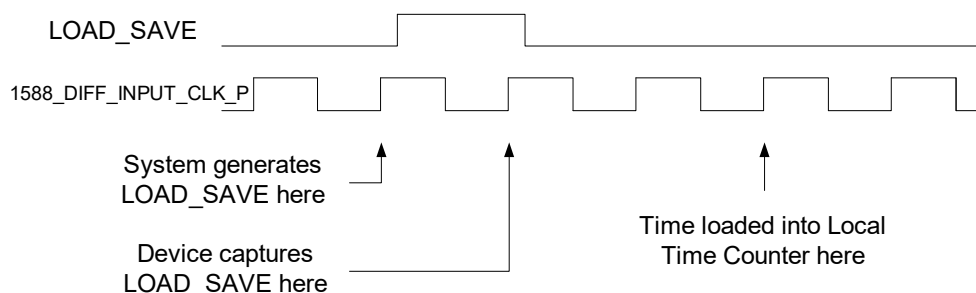
The current time is loaded into the local time counter with the following procedure.

1. Configure the 1588\_LOAD\_SAVE pin.
2. Write the time to be loaded into the local time counter in registers LTC\_LOAD\_SEC\_H, LTC\_LOAD\_SEC\_L and LTC\_LOAD\_NS.
3. Program LTC\_CTRL.LTC\_LOAD\_ENA to a 1.
4. Drive the 1588\_LOAD\_SAVE pin from low to high.

The time in registers LTC\_LOAD\_SEC\_H, LTC\_LOAD\_SEC\_L and LTC\_LOAD\_NS is loaded into the local time counter when the rising edge of the 1588\_LOAD\_SAVE strobe is detected. The LOAD\_SAVE strobe is synchronized to the local time counter clock domain.

When the 1588\_DIFF\_INPUT\_CLK\_P/N pins are the clock source for the local time counter, and the LOAD\_SAVE strobe is synchronous to 1588\_DIFF\_INPUT\_CLK\_P/N, the LTC\_LOAD\* registers are loaded into the local time counter, as shown in the following illustration.

**Figure 69 • Local Time Counter Load/Save Timing**



When the LOAD\_SAVE strobe is not synchronous to the 1588\_DIFF\_INPUT\_CLK\_P/N pins or an internal clock drives the local time counter, there is some uncertainty as to when the local time counter is loaded, when higher accuracy circuit is turned off. This reduces the accuracy of the time stamping function by the period of the local time counter clock. When higher accuracy circuit is ON, any difference between the 1588\_DIFF\_INPUT\_CLK\_P and the rising edge of 1588\_LOAD\_SAVE is compensated within an error of 1 ns. This applies to both load and save operations.

There is a local time counter in each channel. The counter is initialized in both channels if the LTC\_CTRL.LTC\_LOAD\_ENA register in each channel is asserted when the LOAD\_SAVE strobe occurs.

When LTC\_CTRL.LTC\_SAVE\_ENA register is asserted when the 1588\_LOAD\_SAVE input transitions from low to high, the state of the local time counter is stored in the LTC\_SAVED\_SEC\_H, LTC\_SAVED\_SEC\_L, and LTC\_SAVED\_NS registers.

The current local time can be stored in registers with the following procedure.

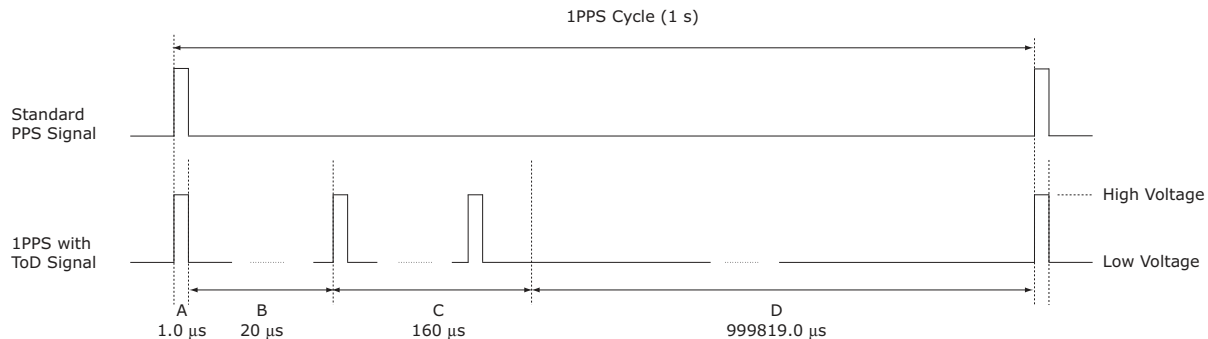
1. Configure the 1588\_LOAD\_SAVE pin.
2. Program LTC\_CTRL.LTC\_SAVE\_ENA to a 1.
3. Set SER\_TOD\_INTF.LOAD\_SAVE\_AUTO\_CLR to 1 if the operation is one-time save operation. This will clear LTC\_CTRL.LTC\_SAVE\_ENA after the operation.
4. Drive the 1588\_LOAD\_SAVE pin from low to high.
5. Read the value from LTC\_SAVED\_SEC\_H, LTC\_SAVED\_SEC\_L, and LTC\_SAVED\_NS registers.

As with loading the local time counter, there is one clock cycle of uncertainty as to when the time is saved if the LOAD\_SAVE strobe is not synchronous to the clock driving the counter.

### 3.12.21 Serial Time of Day

In addition to loading or saving as described in the preceding sections, it is possible to load or save LTC time in a serial fashion. For serial load, 1588\_LOAD\_SAVE has to send Time of Day (ToD) information in a specific format. For serial save, when the appropriate register bits is set, then PPS will drive out the ToD information. The following illustration shows the format for serial load and save.

**Figure 70 • Standard PPS and 1PPS with TOD Timing Relationship**



#### 3.12.21.1 Pulse per Second Segment

In the preceding illustration, segment A is the pulse per second segment. The PPS signal is transmitted with high voltage. The rising edge of the PPS signal is aligned with the rising edge of the standard PPS signal. This segment lasts 1 μs. To obtain high accuracy, the response delay of the rising edge of the PPS signal should be considered.

#### 3.12.21.2 Waiting Segment

In the preceding illustration, segment B is the Waiting segment. Due to the speed of operation, this segment is needed to make it easier for the receiver to obtain the following Time-of-Day information in current PPS cycle. The signal is in low voltage during this segment, which lasts 20 μs.

#### 3.12.21.3 Time-of-Day Segment

In the preceding illustration, segment C is the Time-of-Day segment. The ToD information being carried in this segment indicates the time instant of the rising edge of the PPS signal transmitted in segment A of the current PPS cycle. The time instant is measured using the original network clock. In this segment, the ToD information is continuously transported and is represented in 16 octets. It consists of the following fields:

- Second field: 6 octets. It represents the time instant of the rising edge of the PPS signal in second. The value is defined as in IEEE 1588-2008.
- Date field: 6 octets. It represents the time instant of the rising edge of the PPS signal in year, month, day, hour, minute, and second. Each part is represented by one octet (the format of this field is 0xYYMMDDHHMMSS). In particular, only the lowest 2 decimal digits of the year are represented. The receiver can easily obtain the time instant of the rising edge of the PPS signal in this transparent format without additional circuitry to translate the value of the second field. It also has the significant

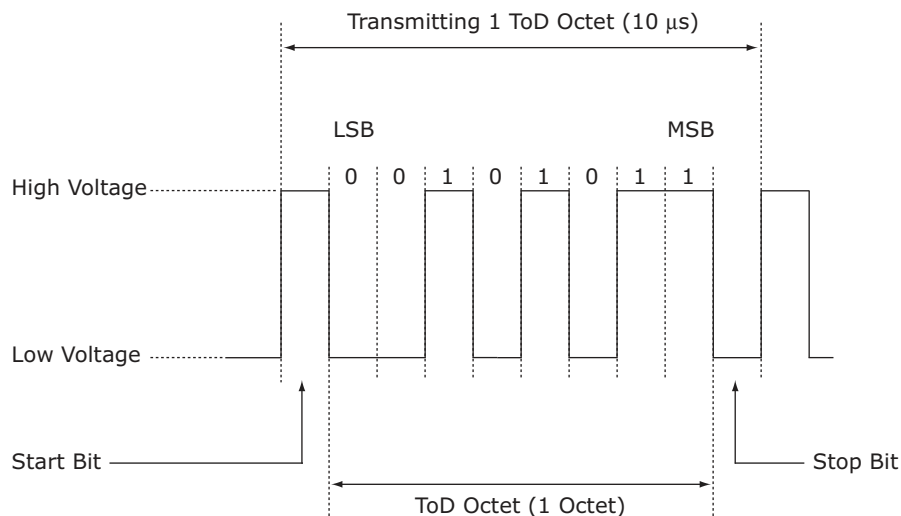


benefit of changing the value of this field when leap year or leap second occurs. (The Date field is ignored at the serial ToD input and is not generated at the serial ToD output.)

- Reserved field: 4 octets. Reserved for future use.

The ToD information is represented in units of octet, with each octet being transmitted with the low-order bit first. The following illustration shows an octet is transmitted between a start bit with high voltage and a stop bit with low voltage. The other octets are transmitted in the same manner. As a result,  $(1+8+1) \times 1 \mu\text{s} = 10 \mu\text{s}$  are needed to transport one octet. This segment lasts  $16 \times 10 \mu\text{s} = 160 \mu\text{s}$  to convey the ToD information.

**Figure 71 • ToD Octet Waveform**



The entire Time-of-Day segment should be detected. If the second 6 octets representing the Date field are not used by the upper layer, the Date field should still be detected and its value can be ignored.

### 3.12.21.4 Idle Segment

Segment D is the Idle segment in Figure 70, page 74. It follows segment C with high voltage until the end of the PPS cycle. The duration of the Idle segment is given by the following calculation.

$$1 \text{ s} - 0.5 \mu\text{s} - 20 \mu\text{s} - 160 \mu\text{s} = 999819.5 \mu\text{s}.$$

Use the following steps to enable Serial load.

1. Set SER\_TOD\_INTF.SER\_TOD\_INPUT\_EN to 1
2. Set LTC\_CTRL.LOAD\_EN to 1.
3. Start the transmission of 1588\_LOAD\_SAVE conforming to the format.
4. To check the data transmission, enable serial save or save LTC time to check the registers.
5. To enable serial save, set SER\_TOD\_INTF.SER\_TOD\_OUTPUT\_EN to 1.

The following table lists the different options to load or save LTC time.

**Table 24 • LTC Time Load/Save Options**

| LTC_CTRL.LOAD_EN | SER_TOD_INTF.SER_TOD_INPUT_EN | LTC_CTR.SAVE_EN | Expected Operation     |
|------------------|-------------------------------|-----------------|------------------------|
| 0                | 0                             | 1               | Parallel Save          |
| 0                | 1                             | 1               | Save                   |
| 0                | 0                             | 0               | No operation           |
| 0                | 1                             | 0               | No operation           |
| 1                | 0                             | 0               | Parallel Load          |
| 1                | 1                             | 0               | Serial Load            |
| 1                | 0                             | 1               | Parallel Load and Save |

**Table 24 • LTC Time Load/Save Options (continued)**

| LTC_CTRL.LOAD_EN | SER_TOD_INTF.SER_TOD_INPUT_EN | LTC_CTR.SAVE_EN | Expected Operation   |
|------------------|-------------------------------|-----------------|----------------------|
| 1                | 1                             | 1               | Serial Load and Save |

When SER\_TOD\_INTF.SERIAL\_ToD\_OUTPUT\_EN is set, the PPS output is driven with a serial ToD output based on the LTC timer value.

### 3.12.22 Programmable Offset for LTC Load Register

When a new LTC value is loaded into the system, a fixed offset may need to be added to the loaded value. Program SER\_TOD\_INTF.LOAD\_PULSE\_DLY and this value will be added to LTC counter whenever a new load occurs either through software, load\_save pin or through serial ToD.

### 3.12.23 Adjustment of LTC counter

LTC counter value can be adjusted by about a second without reloading a new LTC value. LTC value can be programmed to tune the current value by adding or subtracting a specific value. The offset adjustment can be positive or negative, very similar to 1 ns adjustment being positive or negative. An adjustment every 232 ns can be performed using LTC\_OFFSET\_ADJ. Additionally, an adjustment every 220 ns can be performed using LTC\_AUTO\_M\_x.

The purpose of this register is to add/subtract a programmable offset register of 30-bit width in ns, to the register block in order to cover the entire nanosecond portion of the 80-bit LTC. This offset control is independent of the LTC load control. The LTC timer is adjusted - added or subtracted as per the bit LTC\_OFFSET\_ADJ.LTC\_ADD\_SUB\_OFFSET, by the value LTC\_OFFSET\_ADJ.LTC\_OFFSET\_VAL, when a load offset command is issued by the software (assertion of LTC\_OFFSET\_ADJ.LTC\_OFFSET\_ADJ). The hardware sets the status bit LTC\_OFFSET\_ADJ\_STAT.LTC\_OFFSET\_DONE after completing the operation. However, in case the hardware cannot complete the operation because of the LTC value itself getting updated synchronously due to parallel or serial LTC load at the same time, it sets the bit LTC\_OFFSET\_ADJ\_STAT.LTC\_OFFSET\_LOAD\_ERR. The software on seeing either of these status bits set (LTC\_OFFSET\_ADJ\_STAT.LTC\_OFFSET\_DONE or LTC\_OFFSET\_ADJ\_STAT.LTC\_OFFSET\_LOAD\_ERR), de-asserts the control bit LTC\_OFFSET\_ADJ.LTC\_OFFSET\_ADJ and might potentially retry the operation.

The maximum value in nanoseconds for the offset LTC\_OFFSET\_ADJ.LTC\_OFFSET\_VAL can be up to  $10^9 - 1$ . Thus, for addition operation, the maximum carry to the seconds counter is 2 because of the clock period addition to this maximum value present in the offset and LTC nanoseconds counter. For subtraction operation, if the resultant subtraction is negative or underflows the LTC timer would be set to wrong value. Therefore, such operations should never be allowed.

LTC\_OFFSET\_ADJ register (with LTC\_OFFSET\_VAL[29:0] and LTC\_ADD\_SUB\_OFFSET) should be updated before asserting LTC\_OFFSET\_ADJ bit in LTC\_OFFSET\_ADJ register.

LTC\_OFFSET\_ADJ\_STAT.LTC\_OFFSET\_DONE and LTC\_OFFSET\_ADJ\_STAT.LTC\_OFFSET\_LOAD\_ERR bits are set by the hardware and cleared by the software by writing a zero.

Should a conflict occur between LTC update due to parallel/serial load and LTC update due to offset adjustment, the load LTC takes precedence and the error condition is noted so that the polling software does not hang on the offset status bit assertion.

LTC counter could be adjusted for any known drift that occurs on every second. This feature will add or subtract one nanosecond every time LTC crosses over LTC\_AUTO\_ADJ\_M\_NS.

**Example 1:** If LTC\_AUTO\_ADJ\_M\_NS is 100 ns and LTC is started from reset with a value of 0 ns, then LTC counter will be added/subtracted 1 ns every time counter rolls over 100 ns.

**Example 2:** If LTC\_AUTO\_ADJ\_M\_NS is 100 ns and LTC is started from reset with a value of 0 ns, then LTC counter will be added/subtracted 1 ns every time counter rolls over. When counter is at 10 ns and LTC counter is loaded with 2 sec, 80 ns. Now 1 ns is adjusted when counter increments from 10 ns and rolls over 100 ns. It does not add/subtract when LTC timer rolls over 100 ns.

**Example 3:** LTC\_AUTO\_ADJ\_M\_NS value is loaded with 400 ns and after some time LTC\_AUTO\_ADJ\_M\_NS value is loaded with 500 ns. The AUTO\_ADJ\_M\_COUNTER value when the new value is loaded is 333 ns. Then the next adjustment happens after 177 ns after load because the AUTO\_ADJ\_M\_COUNTER continues to count until it reaches the newly loaded value 500 ns.

**Example 4:** LTC\_AUTO\_ADJ\_M\_NS value is loaded with 400 ns and after some time LTC\_AUTO\_ADJ\_M\_NS value is loaded with 100 ns. The AUTO\_ADJ\_M\_COUNTER value when the new value is loaded is 333 ns. Then adjustment happens immediately because  $333 > 100$  and the AUTO\_ADJ\_M\_COUNTER is reset to zero after the adjustment

If LTC counter is loaded with a new value, set LTC\_AUTO\_ADJ\_M\_UPDATE bit to 1 and reload the LTC\_AUTO\_ADJ\_M\_NS value.

### 3.12.24 Pulse per Second Output

The local time counter generates a one pulse-per-second (1PPS) output signal with a programmable pulse width routed to GPIO pins. The pulse width of the 1PPS signal is determined by the LTC\_1PPS\_WIDTH\_ADJ register.

When the LTC counter exceeds the value in PPS\_GEN\_CNT (both are in nanoseconds), the PPS signal is asserted. In default operation where PPS\_GEN\_CNT = 0 the LTC timer generates a PPS signal every time LTC crosses the 1 sec boundary. By writing a large value such as  $10^9 - 60$  ns, the 1PPS pulse reaches its destination 60 ns away simultaneous with the LTC second wrap thus providing time-of-day synchronism between two systems.

The 1PPS output has an alternate mode of operation that increases the frequency of the pulses. This mode may be used for applications such as locking an external DPLL to the IEEE 1588 frequency. In the alternate mode the 1PPS signal is driven directly from a single bit of the nanosecond field counter of the local time counter. The pulse width can not be controlled in this alternate operation mode. The alternate mode is enabled with register LTC\_CTRL.LTC\_ALT\_MODE\_PPS\_BIT.

The output frequencies that result are 1 divided by powers of 2 nanoseconds (bit 4 = 1/32 ns, bit 5 = 1/64 ns, bit 6 = 1/128 ns, ...). The output pulses may jitter by the amount of the programmed nanoseconds of the adder to the local nanoseconds counter, and any automatic or one-shot adjustments.

The following table shows the possible output pulse frequencies (including the range of 1 MHz to 10 MHz) usable for external applications.

**Table 25 • Output Pulse Frequencies**

| Nanosecond Counter Bit | Output Pulse Frequency |
|------------------------|------------------------|
| 4                      | 31.25 MHz              |
| 5                      | 15.625 MHz             |
| 6                      | 7.8125 MHz             |
| 7                      | 3.90625 MHz            |
| 8                      | 1.953125 MHz           |

In addition to the preceding frequencies, a specific frequency can be chosen by enabling the synthesizer on the PPS pin using the following steps.

1. Set LTC\_FREQ\_SYNTH.LTC\_FREQ\_SYNTH\_EN to 1.
2. A toggle signal with the frequency specified will be pushed out onto PPS. The number of nanoseconds the signal stays high can be specified by LTC\_FREQ\_SYNTH.FREQ\_HI\_DUTY\_CYC\_NS. The number of nanoseconds the signal stays low can be specified by LTC\_FREQ\_SYNTH.FREQ\_LO\_DUTY\_CYC\_NS.
3. The above nanoseconds should be exactly divisible by clock frequency, otherwise the signal may have a jitter as high as the high duration/clock period or low duration/clock period.
4. To disable the this feature and revert back to PPS functionality, reset LTC\_FREQ\_SYNTH.LTC\_FREQ\_SYNTH\_EN to 0

For example, to output a 10 MHz signal, set the `FREQ_HI_DUTY_CYC_NS` to 50 ns and `FREQ_LO_DUTY_CYC_NS` to 50 ns. On a 250 MHz LTC clock, this will make high time and low time of signal shift between 48 ns and 52 ns.

### 3.12.25 Accuracy and Resolution

The IEEE 1588 processor achieves time stamp resolution in any mode of operation of 1 ns utilizing special high-resolution circuitry. The accuracy of a device using high-resolution circuitry is improved more than 100% over the first generation IEEE 1588 engine. High accuracy for these devices will be supported regardless of the local time counter clock frequency supplied to the reference clock input. The timestamp accuracy is a system-level property and may depend upon oscillator selection, port type, and speed, system configuration, and calibration decisions. Supported frequencies of the local time counter are 125 MHz, 156.25 MHz, 200 MHz, and 250 MHz.

There are a total of five high resolution blocks per port to improve resolution for the following events:

- One pulse-per-second (1PPS) output signal
- 1588\_PPS\_RI input signal
- Start-of-frame in the egress direction
- Start-of-frame in the ingress direction
- 1588\_LOAD\_SAVE input (strobe) signal direction

Each of these blocks can individually be enabled using `ACC_CFG_STATUS`. Contact Microsemi with any questions regarding PTP accuracy calculations.

### 3.12.26 Loopbacks

Loopback options provide a means to measure the delay at different points to evaluate delays between on chip wire delays and external delays down to a nanosecond.

#### 3.12.26.1 Loopback from PPS to PPS\_RI pin

In this loopback, an external device will connect the PPS coming out of the IEEE 1588 to PPS\_RI of the IEEE 1588 device. The external device could even process the PPS signal and then loopback at a far-end.

#### 3.12.26.2 Loopback from LOAD\_SAVE to PPS

When `LOAD_SAVE_PPS_LPBK_EN` is set, input `load_save` pin is connected to output PPS coming out of the IEEE 1588. In this mode, input `load_save` pin is taken as close to the pin as possible without going through any synchronization logic on the `load_save` pin.

#### 3.12.26.3 Loopback of LOAD\_SAVE pin

When `LOAD_SAVE_LPBK_EN` is set, one clock cycle before the PPS is asserted, an output enable for `load_save` pin is generated and PPS signal is pushed out on the `load_save` pin acting as an output pin. After two cycles, output enable is brought down and `load_save` will behave as an input pin.

#### 3.12.26.4 Loopback from PPS to LOAD\_SAVE pin

When `PPS_LOAD_SAVE_LPBK_EN` bit enabled, output pps signal is taken as close to the I/O as possible and looped back onto `load_save` input pin. This is to account for any delays from PPS generation block to the PPS output pin.

### 3.12.27 IEEE 1588 Register Access using SMI (MDC/MDIO)

The SMI mechanism is an IEEE defined register access mechanism (refer to Clause 22 of IEEE 802.3). The registers are arranged as 16 bits per register address with a 5 bit address field as defined by IEEE. However, Microsemi has extended this register address space by creating a register page key in register 31. When writing a particular key to register 31, a different set of 5 bit address space register bank can be accessed through the SMI mechanism. (extended page, GPIO page, etc).

The IEEE 1588 registers are organized on page 4. Setting register 31 to 4 provides a window to CSR registers through registers 16,17, and 18.

The IEEE 1588 IP registers are arranged as 32 bits of data. The access method through SMI is done by breaking up the 32 bits of each IEEE 1588 register into the high 16 bits into register 18 and lower 16 bits

into register 17. Then register 16 is used as a command register. Phy0 and Phy2 automatically read/write to engine A. Phy1 and Phy3 automatically read/write to engine B. For more information, see [Figure 26](#), page 23.

### 3.12.28 1588\_DIFF\_INPUT\_CLK Configuration

The default configuration of the 1588\_DIFF\_INPUT\_CLK\_P/N pins sets the VSC8575-11 device to use an internal clock for the LTC. To configure these pins correctly to use an external clock for LTC, write 0xb71c to register 30E4 and 0x7ae0 to register 29E4. Set these two registers to 0x0 when an internal clock is used for LTC.

## 3.13 Daisy-Chained SPI Time Stamping

Registers 26E4–29E4 enable daisy-chaining multiple devices to reduce the number of pins required to transmit time stamping information to system ASICs gathering IEEE 1588 time stamps.

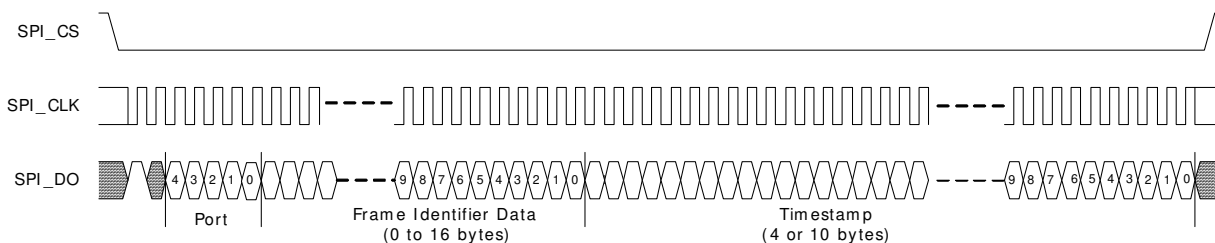
The VSC8575-11 device captures frame time stamps on the 1588\_SPI\_IN signals, arbitrates with the internal IEEE 1588 SPI time stamp outputs for the SPI output, and outputs the frame time stamps. Each device output acts as the SPI master while the input acts as the SPI slave. Up to eight devices can be daisy-chained to operate at up to 62.5 MHz. The following table shows the key throughput characteristics for daisy-chained SPI time stamping.

**Table 26 • Daisy-Chain Parameters**

| SPI Bus Frequency | Maximum Time Stamps/Second per Port | Maximum SPI Bus Utilization |
|-------------------|-------------------------------------|-----------------------------|
| 31.25 MHz         | 256                                 | 5.69%                       |
| 31.25 MHz         | 16                                  | 0.71%                       |

The following illustration shows the SPI time stamping format for clock polarity and phase of 0.

**Figure 72 • SPI Time Stamping Format**

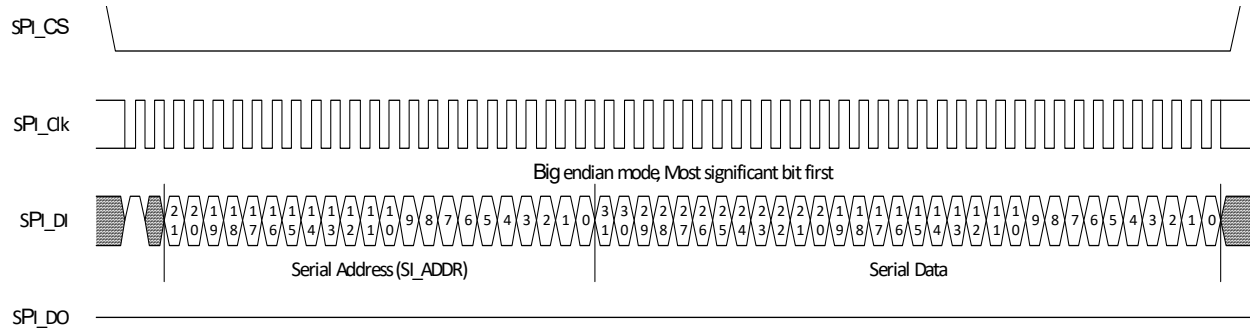


## 3.14 SPI I/O Register Access

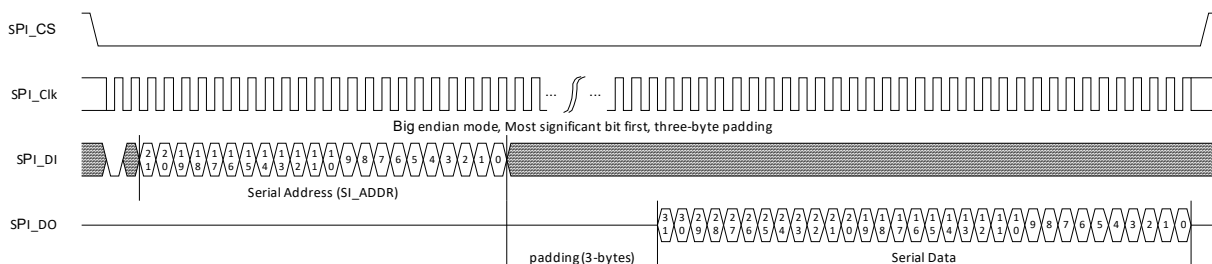
The VSC8575-11 device provides a bidirectional SPI I/O interface for register access to handle IEEE 1588 communication to the device. The device uses one slave select (SS) per slave for a simple slave design, and to share the SCLK, MOSI, and MISO signals. The SPI I/O port is fully independent of either the SPI time stamp input or output ports.

The following illustrations show the write and read cycle format supported by the VSC8575-11 device, with LSB\_FIRST=0, BIG\_ENDIAN=1, and PADDING\_BYTES=3. No other formats are supported.

**Figure 73 • SPI Write Cycles**



**Figure 74 • SPI Read Cycle**



A 25 MHz SPI operating rate is used to access the CSR address space.

The 22-bit address (indicated as SI\_ADDR), is composed of a 2-bit ring select, an 8-bit Target ID, and a 12-bit register address. This register address represents a word address where a word is 32 bits. The SPI data is 32 bits and is consistent with this mapping.

**Table 27 • SI\_ADDR Mapping**

| Bit   | Description   |
|-------|---|
| 21:20 | CSR ring select<br>00: Ring 0<br>01: Reserved<br>10: Reserved<br>11: Reserved |
| 19:14 | Target ID[7:2]  |
| 13:12 | Target ID [1:0] for most targets  |
| 11:0  | CSR register address[11:0]  |

The 2-bit ring select (SI\_ADDR[21:20]) selects the CSR ring. A coding of 00 selects ring 0. Coding of 01, 10, and 11 are reserved.

SI\_ADDR[19:14] maps to Target ID[7:2] and SI\_ADDR[11:0] maps to CSR register address bits 11:0. The Target ID[1:0] and CSR register address bits 13:12 depends on Target ID[5:3].

Target ID[1:0] is supplied by SI\_ADDR[13:12] and the CSR address bits 13:12 is hard-coded to 00.

The Chip ID, Extended Chip ID, and Revision Code can be read at Target ID 0x40, address 0xFFFF.

### 3.15 Media Recovered Clock Outputs

For Synchronous Ethernet applications, the VSC8575-11 includes two recovered clock output pins, RCVRDCLK1 and RCVRDCLK2, controlled by registers 23G and 24G, respectively. The recovered clock pins are synchronized to the clock of the active media link.

To enable recovered clock output, set register 23G or 24G, bit 15, to 1. By default, the recovered clock output pins are disabled and held low, including when NRESET is asserted. Registers 23G and 24G also control the PHY port for clock output, the clock source, the clock frequency (either 25 MHz or 31.25 MHz or 125 MHz), and squelch conditions.

**Note:** When EEE is enabled on a link, the use of the recovered clock output is not recommended due to long holdovers occurring during EEE quiet/refresh cycles.

### 3.15.1 Clock Selection Settings

On each pin, the recovered clock supports the following sources, as set by registers 23G or 24G, bits 2:0:

- Fiber SerDes media
- Copper media
- Copper transmitter TCLK output (RCVRDCLK1 only)

**Note:** When using the automatic media sense feature, the recovered clock output cannot automatically change between each active media. Changing the media source must be managed through the recovered clock register settings.

Adjust the squelch level to enable 1000BASE-T master mode recovered clock for SyncE operation. This is accomplished by changing the 23G and 24G register bits 5:4 to 01. This setting also provides clock out for 10BASE-T operation. For 1000BASE-T master mode, the clock is based on the VSC8575-11 REFCLK input, which is a local clock.

### 3.15.2 Clock Output Squelch

Under certain conditions, the PHY outputs a clock based on the REFCLK\_P and REFCLK\_N pins, such as when there is no link present or during autonegotiation. To prevent an undesirable clock from appearing on the recovered clock pins, the VSC8575-11 squelches, or inhibits, the clock output based on any of the following criteria:

- No link is detected (the link status register 1, bit 2 = 0).
- The link is found to be unstable using the fast link failure detection feature. The GPIO9/FASTLINK-FAIL pin is asserted high when enabled.
- The active link is in 10BASE-T or in 1000BASE-T master mode. These modes produce unreliable recovered clock sources.
- CLK\_SQUELCH\_IN is enabled to squelch the clock.

Use registers 23G or 24G, bits 5:4 to configure the clock squelch criteria. These registers can also disable the squelch feature. The CLK\_SQUELCH\_IN pin controls the squelching of the clock. Both RCVRDCLK1 and RCVRDCLK2 are squelched when the CLK\_SQUELCH\_IN pin is high.

## 3.16 Serial Management Interface

The VSC8575-11 device includes an IEEE 802.3-compliant serial management interface (SMI) that is affected by use of its MDC and MDIO pins. The SMI provides access to device control and status registers. The register set that controls the SMI consists of 32 16-bit registers, including all required IEEE-specified registers. Also, there are additional pages of registers accessible using device register 31.

Energy efficient Ethernet control registers are available through the SMI using Clause 45 registers and Clause 22 register access in registers 13 through 14. For more information, see [Table 51](#), page 108 and [Table 127](#), page 150.

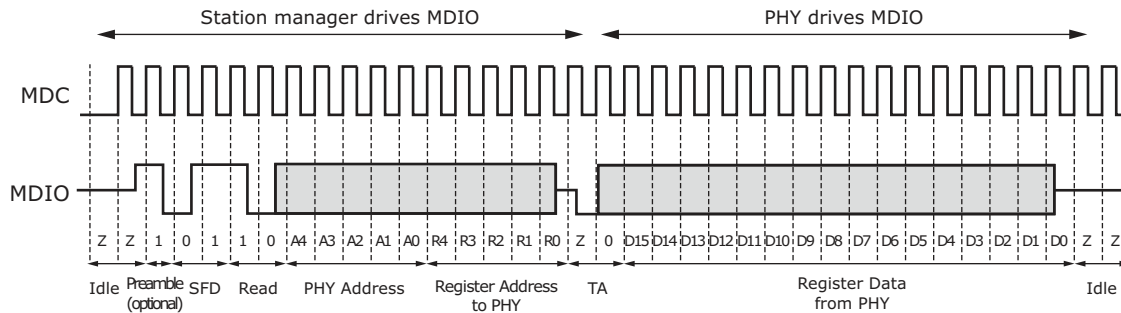
The SMI is a synchronous serial interface with input data to the VSC8575-11 on the MDIO pin that is clocked on the rising edge of the MDC pin. It is a multiple-target bus that incorporates open-collector drivers along with an external pull-up to share the MDIO data line between multiple PHY chips. The output data is sent on the MDIO pin on the rising edge of the MDC signal. The interface can be clocked at a rate from 0 MHz to 12.5 MHz, depending on the total load on MDIO. An external 2-kΩ pull-up resistor is required on the MDIO pin.



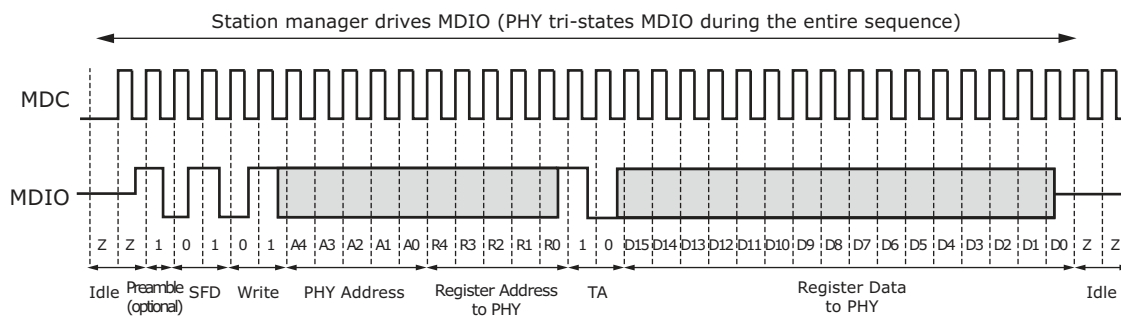
### 3.16.1 SMI Frames

Data is transferred over the SMI using 32-bit frames with an optional, arbitrary-length preamble. Before the first frame can be sent, at least two clock pulses on MDC must be provided with the MDIO signal at logic one to initialize the SMI state machine. The following illustrations show the SMI frame format for read and write operations.

**Figure 75 • SMI Read Frame**



**Figure 76 • SMI Write Frame**



The following list provides additional information about the terms used in the SMI read and write timing diagrams.

- **Idle** During idle, the MDIO node goes to a high-impedance state. This allows an external pull-up resistor to pull the MDIO node up to a logical 1 state. Because the idle mode does not contain any transitions on MDIO, the number of bits is undefined during idle.
- **Preamble** By default, preambles are not expected or required. The preamble is a string of ones. If it exists, the preamble must be at least 1 bit; otherwise, it can be of an arbitrary length.
- **Start of Frame (SFD)** A pattern of 01 indicates the start of frame. If the pattern is not 01, all following bits are ignored until the next preamble pattern is detected.
- **Read or Write Opcode** A pattern of 10 indicates a read. A 01 pattern indicates a write. If the bits are not either 01 or 10, all following bits are ignored until the next preamble pattern is detected.
- **PHY Address** The particular VSC8575-11 responds to a message frame only when the received PHY address matches its physical address. The physical address is 5 bits long (4:0).
- **Register Address** The next five bits are the register address.
- **Turnaround** The two bits used to avoid signal contention when a read operation is performed on the MDIO are called the turnaround (TA) bits. During read operations, the VSC8575-11 drives the second TA bit, a logical 0.
- **Data** The 16-bits read from or written to the device are considered the data or data stream. When data is read from a PHY, it is valid at the output from one rising edge of MDC to the next rising edge of MDC. When data is written to the PHY, it must be valid around the rising edge of MDC.
- **Idle** The sequence is repeated.

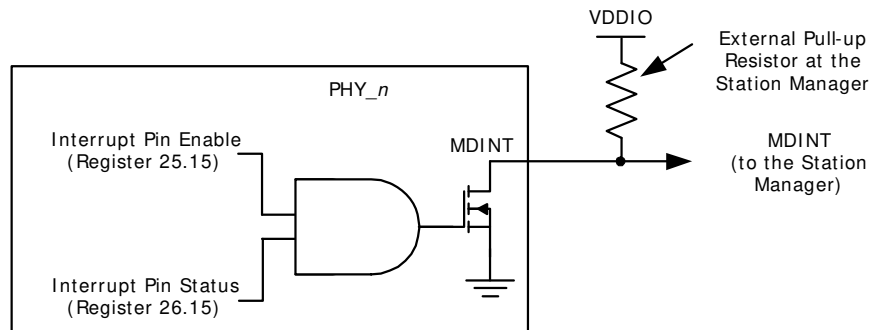
### 3.16.2 SMI Interrupt

The SMI includes an output interrupt signal, MDINT, for signaling the station manager when certain events occur in the VSC8575-11.



The MDINT pin is configured for open-drain (active-low). Tie the pin to a pull-up resistor to VDDIO. The following illustration shows the configuration.

**Figure 77 • MDINT Configured as an Open-Drain (Active-Low) Pin**



When a PHY generates an interrupt, the MDINT pin is asserted by driving low if the interrupt pin enable bit (MII register 25.15) is set.

## 3.17 LED Interface

The LED interface supports the following configurations: direct drive, basic serial LED mode, and enhanced serial LED mode. The polarity of the LED outputs is programmable and can be changed through register 17E2, bits 13:10. The default polarity is active low.

Direct drive mode provides four LED signals per port, LED0\_[0:3] through LED3\_[0:3]. The mode and function of each LED signal can be configured independently. When serial LED mode is enabled, the direct drive pins not used by the serial LED interface remain available.

In basic serial LED mode, all signals that can be displayed on LEDs are sent as LED\_Data and LED\_CLK for external processing. In enhanced serial LED mode, up to four LED signals per port can be sent as LED\_Data, LED\_CLK, LED\_LD, and LED\_Pulse. The following sections provide detailed information about the various LED modes.

**Note:** LED number is listed using the convention, LED<LED#>\_<Port#>.

The following table shows the bit 9 settings for register 14G that are used to control the LED behavior for all the LEDs in VSC8575-11.

**Table 28 • LED Drive State**

| Setting                       | Active | Not Active      |
|-------------------------------|--------|-----------------|
| 14G.9 = 1 (default)           | Ground | Tristate        |
| 14G.9 = 0 (alternate setting) | Ground | V <sub>DD</sub> |

### 3.17.1 LED Modes

Each LED pin can be configured to display different status information that can be selected by setting the LED mode in register 29. The modes listed in the following table are equivalent to the setting used in register 29 to configure each LED pin. The default LED state is active low and can be changed by modifying the value in register 17E2, bits 13:10. The blink/pulse-stretch is dependent on the LED behavior setting in register 30.

The following table provides a summary of the LED modes and functions.

**Table 29 • LED Mode and Function Summary**

| Mode | Function Name                           | LED State and Description   |
|------|---|---|
| 0    | Link/Activity                           | 1: No link in any speed on any media interface.<br>0: Valid link at any speed on any media interface.<br>Blink or pulse-stretch = Valid link at any speed on any media interface with activity present.   |
| 1    | Link1000/Activity                       | 1: No link in 1000BASE-T or 1000BASE-X.<br>0: Valid 1000BASE-T or 1000BASE-X.<br>Blink or pulse-stretch = Valid 1000BASE-T or 1000BASE-X link with activity present.  |
| 2    | Link100/Activity                        | 1: No link in 100BASE-TX or 100BASE-FX.<br>0: Valid 100BASE-TX or 100BASE-FX.<br>Blink or pulse-stretch = Valid 100BASE-TX or 100BASE-FX link with activity present.  |
| 3    | Link10/Activity                         | 1: No link in 10BASE-T.<br>0: Valid 10BASE-T link.<br>Blink or pulse-stretch = Valid 10BASE-T link with activity present.   |
| 4    | Link100/1000/Activity                   | 1: No link in 100BASE-TX, 100BASE-FX, 1000BASE-X, or 1000BASE-T.<br>0: Valid 100BASE-TX, 100BASE-FX, 1000BASE-X, or 1000BASE-T link. Blink or pulse-stretch = Valid 100BASE-TX, 100BASE-FX, 1000BASE-X, or 1000BASE-T link with activity present. |
| 5    | Link10/1000/Activity                    | 1: No link in 10BASE-T, 1000BASE-X, or 1000BASE-T.<br>0: Valid 10BASE-T, 1000BASE-X, or 1000BASE-T link.<br>Blink or pulse-stretch = Valid 10BASE-T, 1000BASE-X, or 1000BASE-T link with activity present.  |
| 6    | Link10/100/Activity                     | 1: No link in 10BASE-T, 100BASE-FX, or 100BASE-TX.<br>0: Valid 10BASE-T, 100BASE-FX, or 100BASE-TX link.<br>Blink or pulse-stretch = Valid 10BASE-T, 100BASE-FX, or 100BASE-TX link with activity present.  |
| 7    | Link100BASE-FX/1000BASE-X/<br>Activity  | 1: No link in 100BASE-FX or 1000BASE-X.<br>0: Valid 100BASE-FX or 1000BASE-X link.<br>Blink or pulse-stretch = Valid 100BASE-FX or 1000BASE-X link with activity present.   |
| 8    | Duplex/Collision                        | 1: Link established in half-duplex mode, or no link established.<br>0: Link established in full-duplex mode.<br>Blink or pulse-stretch = Link established in half-duplex mode but collisions are present.   |
| 9    | Collision                               | 1: No collision detected.<br>Blink or pulse-stretch = Collision detected.   |
| 10   | Activity                                | 1: No activity present.<br>Blink or pulse-stretch = Activity present (becomes TX activity present when register bit 30.14 is set to 1).   |
| 11   | 100BASE-FX/1000BASE-X<br>Fiber Activity | 1: No 100BASE-FX or 1000BASE-X activity present.<br>Blink or pulse-stretch = 100BASE-FX or 1000BASE-X activity present (becomes Rx activity present when register bit 30.14 is set to 1).   |

**Table 29 • LED Mode and Function Summary (continued)**

| Mode | Function Name         | LED State and Description   |
|------|-----------------------|---|
| 12   | Autonegotiation Fault | 1: No autonegotiation fault present.<br>0: Autonegotiation fault occurred.  |
| 13   | Serial Mode           | Serial stream. See <a href="#">Basic Serial LED Mode</a> , page 86. Only relevant on PHY port 0 and reserved in others. |
| 14   | Force LED Off         | 1: De-asserts the LED <sup>1</sup> .  |
| 15   | Force LED On          | 0: Asserts the LED <sup>1</sup> .   |

1. Setting this mode suppresses LED blinking after reset.

### 3.17.2 Extended LED Modes

In addition to the LED modes in register 29, there are also additional LED modes that are enabled on the LED0\_[3:0] pins whenever the corresponding register 19E1, bits 15 to 12 are set to 1. Each of these bits enables extended modes on a specific LED pin and these extended modes are shown in the following table. For example, LED0 = mode 17 means that register 19E1 bit 12 = 1 and register 29 bits 3 to 0 = 0001.

The following table provides a summary of the extended LED modes and functions.

**Table 30 • Extended LED Mode and Function Summary**

| Mode | Function Name           | LED State and Description   |
|------|-------------------------|---|
| 16   | Link1000BASE-X Activity | 1: No link in 1000BASE-X.<br>0: Valid 1000BASE-X link.                                      |
| 17   | Link100BASE-FX Activity | 1: No link in 100BASE-FX.<br>0: Valid 100BASE-FX link.                                      |
| 18   | 1000BASE-X Activity     | 1: No 1000BASE-X activity present.<br>Blink or pulse-stretch = 1000BASE-X activity present. |
| 19   | 100BASE-FX Activity     | 1: No 100BASE-FX activity present.<br>Blink or pulse-stretch = 100BASE-FX activity present. |
| 20   | Force LED Off           | 1: De-asserts the LED.  |
| 21   | Force LED On            | 0: Asserts the LED. LED pulsing is disabled in this mode.                                   |
| 22   | Fast Link Fail          | 1: Enable fast link fail on the LED pin<br>0: Disable                                       |

### 3.17.3 LED Behavior

Several LED behaviors can be programmed into the VSC8575-11. Use the settings in register 30 and 19E1 to program LED behavior, which includes the following.

#### 3.17.3.1 LED Combine

Enables an LED to display the status for a combination of primary and secondary modes. This can be enabled or disabled for each LED pin. For example, a copper link running in 1000BASE-T mode and activity present can be displayed with one LED by configuring an LED pin to Link1000/Activity mode. The LED asserts when linked to a 1000BASE-T partner and also blinks or performs pulse-stretch when activity is either transmitted by the PHY or received by the Link Partner. When disabled, the combine feature only provides status of the selected primary function. In this example, only Link1000 asserts the LED, and the secondary mode, activity, does not display when the combine feature is disabled.

#### 3.17.3.2 LED Blink or Pulse-Stretch

This behavior is used for activity and collision indication. This can be uniquely configured for each LED pin. Activity and collision events can occur randomly and intermittently throughout the link-up period.

Blink is a 50% duty cycle oscillation of asserting and de-asserting an LED pin. Pulse-stretch guarantees that an LED is asserted and de-asserted for a specific period of time when activity is either present or not present. These rates can also be configured using a register setting.

### 3.17.3.3 Rate of LED Blink or Pulse-Stretch

This behavior controls the LED blink rate or pulse-stretch length when blink/pulse-stretch is enabled on an LED pin. The blink rate, which alternates between a high and low voltage level at a 50% duty cycle, can be set to 2.5 Hz, 5 Hz, 10 Hz, or 20 Hz. For pulse-stretch, the rate can be set to 50 ms, 100 ms, 200 ms, or 400 ms. The blink rate selection for PHY0 globally sets the rate used for all LED pins on all PHY ports.

### 3.17.3.4 LED Pulsing Enable

To provide additional power savings, the LEDs (when asserted) can be pulsed at 5 kHz, 20% duty cycle.

### 3.17.3.5 LED Blink After Reset

The LEDs will blink for one second after power-up and after any time all resets have been de-asserted. This can be disabled through register 19E1, bit 11 = 0.

### 3.17.3.6 Fiber LED Disable

This bit controls whether the LEDs indicate the fiber and copper status (default) or the copper status only.

### 3.17.3.7 Pulse Programmable Control

These bits add the ability to width and frequency of LED pulses. This feature facilitates power reduction options.

### 3.17.3.8 Fast Link Failure

For more information about this feature, see [Fast Link Failure Indication](#), page 87.

## 3.17.4 Basic Serial LED Mode

Optionally, the VSC8575-11 can be configured so that access to all its LED signals is available through two pins. This option is enabled by setting LED0 on PHY0 to serial LED mode in register 29, bits 3:0 to 0xD. When serial LED mode is enabled, the LED0\_0 pin becomes the serial data pin, and the LED1\_0 pin becomes the serial clock pin. All other LED pins can still be configured normally. The serial LED mode clocks the 48 LED status bits on the rising edge of the serial clock.

The LED behavior settings can also be used in serial LED mode. The controls are used on a per-PHY basis, where the LED combine and LED blink or pulse-stretch setting of LED0\_n for each PHY is used to control the behavior of each bit of the serial LED stream for each corresponding PHY. To configure LED behavior, set device register 30.

The following table shows the 48-bit serial output bitstream of each LED signal. The individual signals can be clocked in the following order.

**Table 31 • LED Serial Bitstream Order**

| Output              | PHY0 | PHY1 | PHY2 | PHY3 |
|---------------------|------|------|------|------|
| Link/activity       | 1    | 13   | 25   | 37   |
| Link1000/activity   | 2    | 14   | 26   | 38   |
| Link100/activity    | 3    | 15   | 27   | 39   |
| Link10/activity     | 4    | 16   | 28   | 40   |
| Fiber link/activity | 5    | 17   | 29   | 41   |
| Duplex/collision    | 6    | 18   | 30   | 42   |
| Collision           | 7    | 19   | 31   | 43   |
| Activity            | 8    | 20   | 32   | 44   |

**Table 31 • LED Serial Bitstream Order (continued)**

| Output                | PHY0 | PHY1 | PHY2 | PHY3 |
|-----------------------|------|------|------|------|
| Fiber activity        | 9    | 21   | 33   | 45   |
| Tx activity           | 10   | 22   | 34   | 46   |
| Rx activity           | 11   | 23   | 35   | 47   |
| Autonegotiation fault | 12   | 24   | 36   | 48   |

### 3.17.5 Enhanced Serial LED Mode

VSC8575-11 can be configured to output up to four LED signals per port on a serial stream that can be de-serialized externally to drive LEDs on the system board. In enhanced serial LED mode, the port 0 and port 1 LED output pins serve the following functions:

- LED0\_0/LED0\_1: LED\_DATA
- LED1\_0/LED1\_1: LED\_CLK
- LED2\_0/LED2\_1: LED\_LD
- LED3\_0/LED3\_1: LED\_PULSE

The serial LED\_DATA is shifted out on the falling edge of LED\_CLK and is latched in the external serial-to-parallel converter on the rising edge of LED\_CLK. The falling edge of LED\_LD signal can be used to shift the data from the shift register in the converter to the parallel output drive register. When a separate parallel output drive register is not used in the external serial-to-parallel converter, the LEDs will blink at a high frequency as the data bits are being shifted through, which may be undesirable. LED pin functionality is controlled by setting register 25G, bits 7:1.

The LED\_PULSE signal provides a 5 kHz pulse stream whose duty cycle can be modulated to turn on/off LEDs at a high rate. This signal can be tied to the output enable signal of the serial-to-parallel converter to provide the LED dimming functionality to save energy. The LED\_PULSE duty cycle is controlled by setting register 25G, bits 15:8.

### 3.17.6 LED Port Swapping

For additional hardware configurations, the VSC8575-11 can have its LED port order swapped. This is a useful feature to help simplify PCB layout design. Register 25G bit 0 controls the LED port swapping mode. LED port swapping only applies to the direct-drive LEDs and not to any serial LED output modes.

## 3.18 Fast Link Failure Indication

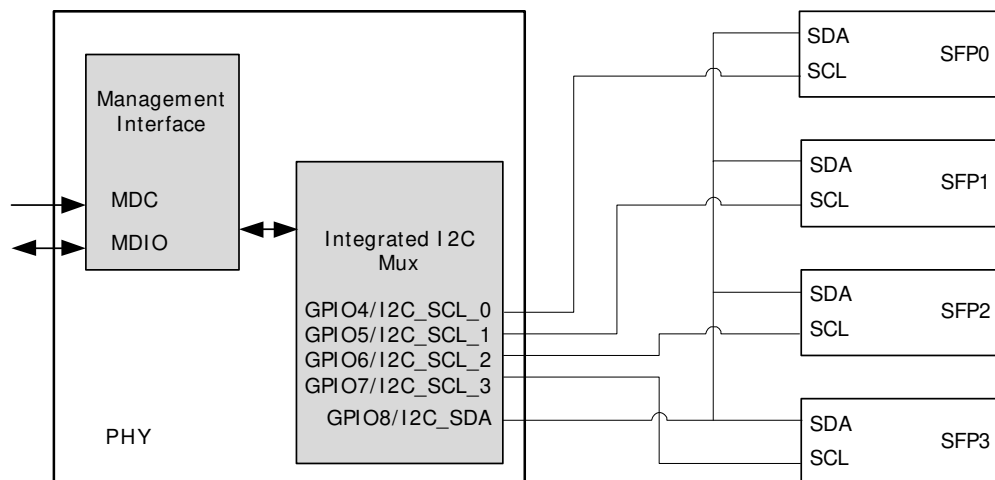
To aid Synchronous Ethernet applications, the VSC8575-11 can indicate the onset of a link failure in less than 1 ms (worst-case <3 ms). By comparison, the IEEE 802.3 standard establishes a delay of up to 750 ms before indicating that a 1000BASE-T link is no longer present. A fast link failure indication is critical to support ports used in a synchronization timing link application. The fast link failure indication works for all copper media speeds, but not for fiber media. Fast link failure is supported for each PHY port through the GPIO9/FASTLINK-FAIL pin.

**Note:** For all links except 1000BASE-T, the fast link failure indication matches the link status register (address 1, bit 2). For 1000BASE-T links, the link failure is based on a circuit that analyzes the integrity of the link, and at the indication of failure, will assert.

**Note:** The Fast Link Failure Indication should not be used when EEE is enabled on a link.

## 3.19 Integrated Two-Wire Serial Multiplexer

The VSC8575-11 includes an integrated quad two-wire serial multiplexer (MUX), eliminating the need for an external two-wire serial device for the control and status of SFP or PoE modules. There are five two-wire serial controller pins: four clocks and one shared data pin. Each SFP or PoE connects to the multipurpose GPIO[7:4]\_I2C\_SCL\_[3:0] and GPIO8/I2C\_SDA device pins, which must be configured to the corresponding two-wire serial function. For more information about configuring the pins, see [Two-Wire Serial MUX Control 1](#), page 145. For SFP modules, VSC8575-11 can also provide control for the MODULE\_DETECT and TX\_DIS module pins using the multipurpose LED and GPIO pins.

**Figure 78 • Two-Wire Serial MUX with SFP Control and Status**


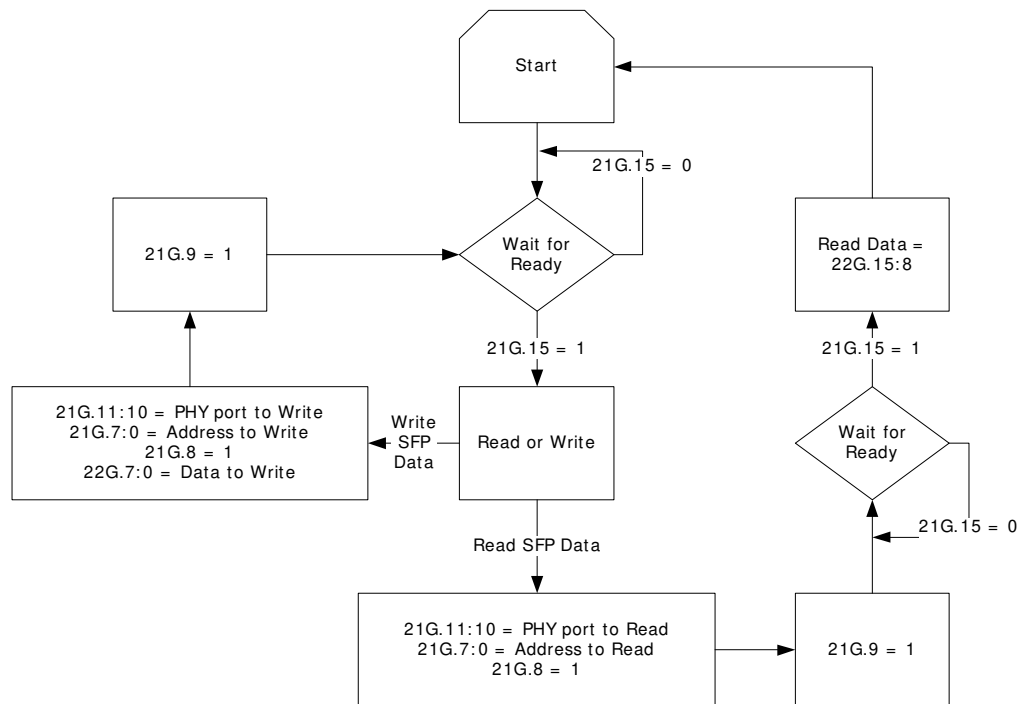
### 3.19.1 Read/Write Access Using the Two-Wire Serial MUX

Using the integrated two-wire serial MUX, the VSC8575-11 device can read and write to an SFP or PoE module through the SCL and SDA pins. If the ability is required to write to the slave two-wire serial device, refer to the device's specific datasheet for more information.

**Note:** The VSC8575-11 device does not automatically increment the two-wire serial address. Each desired address must be intentionally set.

Main control of the integrated two-wire serial MUX is available through register 20G. The two-wire serial MUX pins are enabled or disabled using register 20G bits 3:0. Register 20G bits 15:9 set the two-wire serial device address (the default is 0xA0). Using register 20G bits 5:4, the two-wire serial frequency can be changed from 100 kHz to other speeds, such as 50 kHz, 100 kHz (the default), 400 kHz, and 2 MHz. Registers 21G and 22G provide status and control of the read/write process.

Clock stretching is not supported so the connected devices must be able to operate at the selected serial frequency without wait states. The following illustration shows the read and write register flow.

**Figure 79 • Two-Wire Serial MUX Read and Write Register Flow**

To read a value from a specific address of the two-wire serial slave device:

1. Read the VSC8575-11 device register 21G bit 15, and ensure that it is set.
2. Write the PHY port address to be read to register 21G bits 11:10.
3. Write the two-wire serial address to be read to register 21G bits 7:0.
4. Set both register 21G bits 8 and 9 to 1.
5. When register 21G bit 15 changes to 1, read the 8-bit data value found at register 22G bits 15:8. This is the contents of the address just read by the PHY.

To write a value to a specific address of the two-wire serial slave device:

1. Read the VSC8575-11 device register 21G bit 15 and ensure that it is set.
2. Write the PHY port address to be written to register 21G bits 11:10.
3. Write the address to be written to register 21G bits 7:0.
4. Set register 21 bit 8 to 0.
5. Set register 22G bits 7:0 with the 8-bit value to be written to the slave device.
6. Set register 21G bit 9 to 1.

To avoid collisions during read and write transactions on the two-wire serial bus, always wait until register 21G bit 15 changes to 1 before performing another two-wire serial read or write operation.

## 3.20 GPIO Pins

The VSC8575-11 provides 14 multiplexed general purpose input/output (GPIO) pins. All device GPIO pins and their behavior are controlled using registers. The following table shows an overview of the register controls for GPIO pins. For more information, see [General Purpose Registers](#), page 139.

**Table 32 • Register Bits for GPIO Control and Status**

| GPIO Pin      | GPIO_ctrl | GPIO Input | GPIO Output | GPIO Output Enable |
|---------------|-----------|------------|-------------|--------------------|
| GPIO0/SIGDET0 | 13G.1:0   | 15G.0      | 16G.0       | 17G.0              |
| GPIO1/SIGDET1 | 13G.3:2   | 15G.1      | 16G.1       | 17G.1              |
| GPIO2/SIGDET2 | 13G.5:4   | 15G.2      | 16G.2       | 17G.2              |
| GPIO3/SIGDET3 | 13G.7:6   | 15G.3      | 16G.3       | 17G.3              |

**Table 32 • Register Bits for GPIO Control and Status (continued)**

| GPIO Pin              | GPIO_ctrl | GPIO Input | GPIO Output | GPIO Output Enable |
|-----------------------|-----------|------------|-------------|--------------------|
| GPIO4/I2C_SCL_0       | 13G.9:8.  | 15G.4      | 16G.4       | 17G.4              |
| GPIO5/I2C_SCL_1       | 13G.11:10 | 15G.5      | 16G.5       | 17G.5              |
| GPIO6/I2C_SCL_2       | 13G.13:12 | 15G.6      | 16G.6       | 17G.6              |
| GPIO7/I2C_SCL_3       | 13G.15:14 | 15G.7      | 16G.7       | 17G.7              |
| GPIO8/I2C_SDA         | 14G.1:0   | 15G.8      | 16G.8       | 17G.8              |
| GPIO9/FASTLINK_FAIL   | 14G.3:2   | 15G.9      | 16G.9       | 17G.9              |
| GPIO10/1588_LOAD_SAVE | 14G.5:4   | 15G.10     | 16G.10      | 17G.10             |
| GPIO11/1588_PPS_0     | 14G.7:6   | 15G.11     | 16G.11      | 17G.11             |
| GPIO12/1588_SPI_CS    | 14G.15:14 | 15G.12     | 16G.12      | 17G.12             |
| GPIO13/1588_SPI_DO    | 14G.15:14 | 15G.13     | 16G.13      | 17G.13             |

## 3.21 Testing Features

The VSC8575-11 device includes several testing features designed to facilitate performing system-level debugging and in-system production testing. This section describes the available features.

### 3.21.1 Ethernet Packet Generator

The Ethernet packet generator (EPG) can be used at each of the 10/100/1000BASE-T speed settings for copper Cat5 media and fiber media to isolate problems between the MAC and the VSC8575-11, or between a locally connected PHY and its remote link partner. Enabling the EPG feature effectively disables all MAC interface transmit pins and selects the EPG as the source for all data transmitted onto the twisted pair interface. This feature is not used when the SerDes media is set to pass-through mode.

**Important** The EPG is intended for use with laboratory or in-system testing equipment only. Do not use the EPG testing feature when the VSC8575-11 is connected to a live network.

To enable the VSC8575-11 EPG feature, set the device register bit 29E1.15 to 1.

When the EPG is enabled, packet loss occurs during transmission of packets from the MAC to the PHY. However, the PHY receive output pins to the MAC are still active when the EPG is enabled. When it is necessary to disable the MAC receive pins as well, set the register bit 0.10 to 1.

When the device register bit 29E1.14 is set to 1, the PHY begins transmitting Ethernet packets based on the settings in registers 29E1 and 30E1. These registers set:

- Source and destination addresses for each packet
- Packet size
- Interpacket gap
- FCS state
- Transmit duration
- Payload pattern

When register bit 29E1.13 is set to 0, register bit 29E1.14 is cleared automatically after 30,000,000 packets are transmitted.

### 3.21.2 CRC Counters

Cyclical redundancy check (CRC) counters are available in all PHYs in VSC8575-11. They monitor traffic on the copper and fiber media interfaces and on the MAC SerDes interface.

The device CRC counters operate in the 100BASE-FX/1000BASE-X over SerDes mode as well as in the 10/100/1000BASE-T mode as follows:

After receiving a packet on the media interface, register bit 15 in register 18E1, register 21E3, or register 28E3 is set and cleared after being read.



The packet then is counted by either the good CRC counter or the bad CRC counter.

Both CRC counters are also automatically cleared when read.

The good CRC counter's highest value is 9,999 packets. After this value is reached, the counter clears on the 10,000<sup>th</sup> packet and continues to count additional packets beyond that value. The bad CRC counter stops counting when it reaches its maximum counter limit of 255 packets.

### 3.21.2.1 Copper Interface CRC Counters

Two separate counters are available and reside at the output of the copper interface PCSs before any IEEE 1588 packet processing. There is a 14-bit good CRC counter available through register bits 18E1.13:0 and a separate 8-bit bad CRC counter available in register bits 23E1.7:0.

### 3.21.2.2 SerDes Fiber Media Receive CRC Counters

Two separate CRC counters are available and reside at the output of the SerDes media interface PCSs before any IEEE 1588 packet processing. To select the SerDes Fiber media receive CRC counters, set register bits 29E3.15:14 to 00. There is a 14-bit good CRC counter available through register bits 28E3.13:0 and a separate 8-bit bad CRC counter available in register bits 29E3.7:0.

### 3.21.2.3 SerDes Fiber Media Transmit Counters

Two fiber media transmit counters are available and reside at the input to the SerDes media interface PCSs after any IEEE 1588 packet processing. To select the SerDes Fiber media transmit CRC counters, set register bits 22E3.15:14 to 00. Register bits 21E3.13:0 are the good CRC packet counters and register bits 22E3.7:0 are the CRC error counters.

### 3.21.2.4 MAC Interface Transmit CRC Counters

Two MAC interface transmit counters are available and reside at the output of the QSGMII/SGMII MAC-interface PCS before any IEEE 1588 packet processing. To select these counters, set register bits 22E3.15:14 to 01. Register bits 21E3.13:0 are the good CRC packet counters and register bits 22E3.7:0 are the CRC error counters.

### 3.21.2.5 MAC Interface Receive CRC Counters

Two MAC interface receive counters are available and reside at the input of the QSGMII/SGMII MAC-interface PCS after any IEEE 1588 packet processing. To select these counters, set register bits 29E3.15:14 to 01. Register bits 28E3.13:0 are the good CRC packet counters and register bits 29E3.7:0 are the CRC error counters.

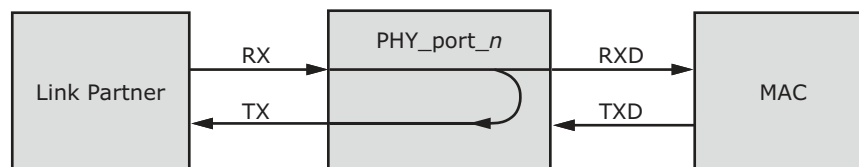
## 3.21.3 Loopbacks

Loopbacks described herein are for test use only, and are not recommended for use on operational links. Furthermore, the 1588 TSU block should be bypassed whenever loopbacks are enabled or disabled. Changing the packet datapath with loopbacks while the 1588 engine is processing traffic is not recommended.

### 3.21.3.1 Far-End Loopback

The far-end loopback testing feature is enabled by setting register bit 23.3 to 1. When enabled, it forces incoming data from a link partner on the current media interface, into the MAC interface of the PHY, to be retransmitted back to the link partner on the media interface as shown in the following illustration. In addition, the incoming data also appears on the receive data pins of the MAC interface. Data present on the transmit data pins of the MAC interface is ignored when using this testing feature.

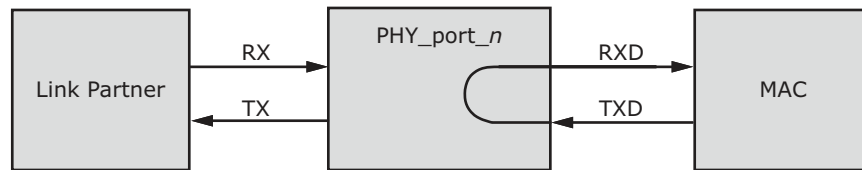
**Figure 80 • Far-End Loopback Diagram**



### 3.21.3.2 Near-End Loopback

When the near-end loopback testing feature is enabled, transmitted data (TXD) is looped back in the PCS block onto the receive data signals (RXD), as shown in the following illustration. When using this testing feature, no data is transmitted over the network. To enable near-end loopback, set the device register bit 0.14 to 1.

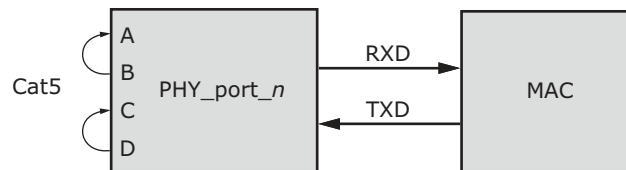
**Figure 81 • Near-End Loopback Diagram**



### 3.21.3.3 Connector Loopback

The connector loopback testing feature allows the twisted pair interface to be looped back externally. When using this feature, the PHY must be connected to a loopback connector or a loopback cable. Connect pair A to pair B, and pair C to pair D, as shown in the following illustration. The connector loopback feature functions at all available interface speeds.

**Figure 82 • Connector Loopback Diagram**



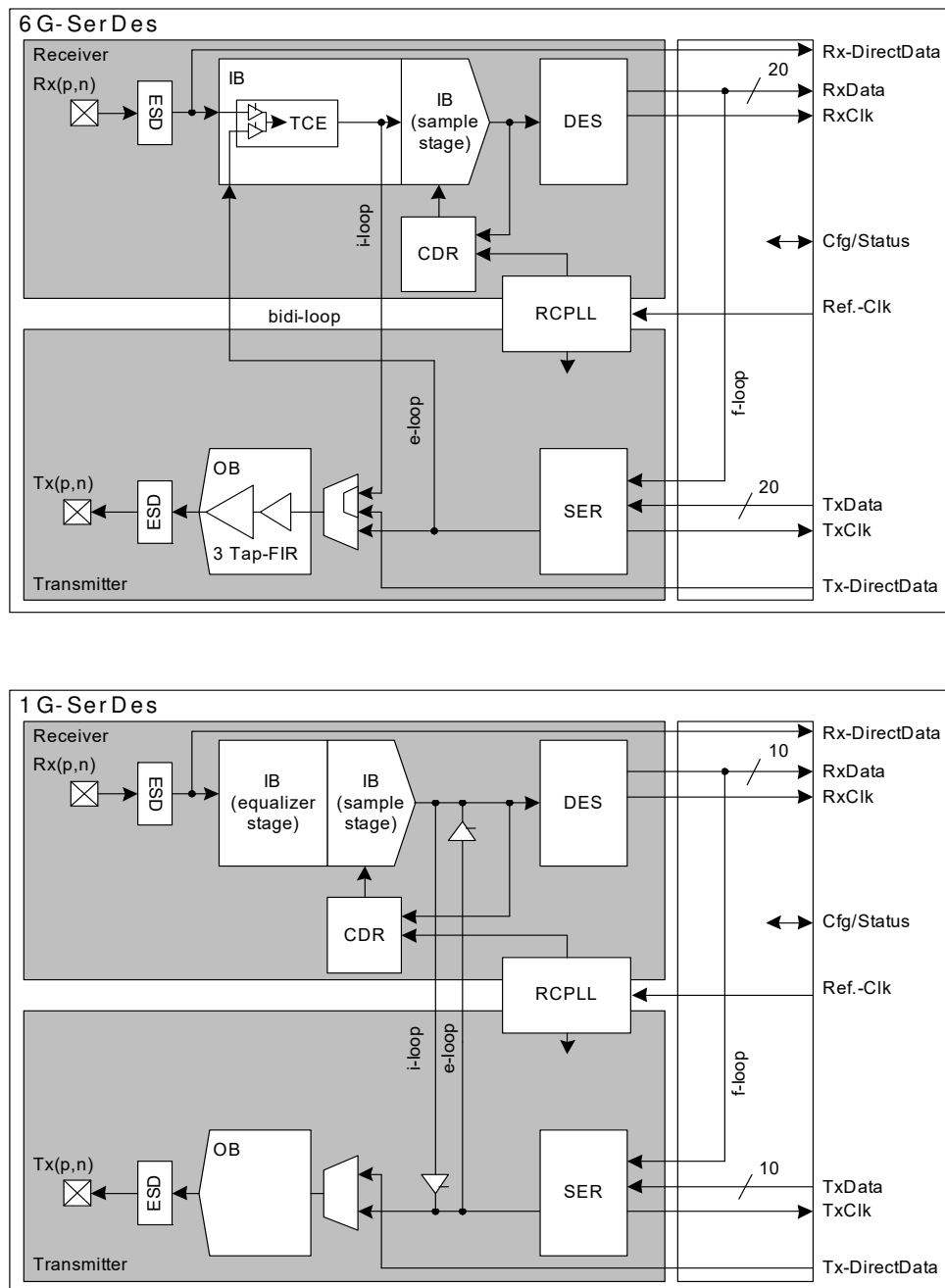
When using the connector loopback testing feature, the device autonegotiation, speed, and duplex configuration is set using device registers 0, 4, and 9. For 1000BASE-T connector loopback, the following additional writes are required. Execute the additional writes in the following order:

1. Enable the 1000BASE-T connector loopback. Set register bit 24.0 to 1.
2. Disable pair swap correction. Set register bit 18.5 to 1.

### 3.21.3.4 SerDes Loops

For test purposes, the SerDes and SerDes macro interfaces provides several data loops. The following illustration shows the SerDes loops.

**Figure 83 • Data Loops of the SerDes Macro**



**3.21.3.4.1 SGMII Mode**

When the MAC interface is configured in SGMII mode, write the following 16-bit value to register 18G:

Bits 15:12 0x9

Bits 11:8: Port address (0x0 to 0x3)

Bits 7:4: Loopback type

Bits 3:0: 0x2

where loopback type is:

0x0: No loopback

0x2: Input loopback  
 0x4: Facility loopback  
 0x8: Equipment loopback

### 3.21.3.4.2 QSGMII Mode

When the MAC interface is configured in QSGMII mode, write the following 16-bit value to register 18G:

Bits 15:12: 0x9  
 Bits 11:8: Port address (0xC)  
 Bits 7:4: Loopback type  
 Bits 3:0: 0x2

where loopback type is:

0x0: No loopback  
 0x2: Input loopback  
 0x4: Facility loopback  
 0x8: Equipment loopback

**Note:** Loopback configuration affects all ports associated with a QSGMII. Individual port loopback within a QSGMII is not possible.

### 3.21.3.4.3 Fiber Media Port Mode

When the SerDes is configured as a fiber media port, write the following 16-bit value to register 18G:

Bits 15:12: 0x8  
 Bits 11:8: Port address  
 Bits 7:4: Loopback type  
 Bits 3:0: 0x2

where port address is:

0x1: Fiber0 port  
 0x2: Fiber1 port  
 0x4: Fiber2 port  
 0x8: Fiber3 port

Port addresses for fiber media SerDes can be OR'ed together to address multiple ports using a single command. bit 18G.15 will be cleared when the internal configuration is complete.

### 3.21.3.4.4 Facility Loop

The recovered and de-multiplexer deserializer data output is looped back to the serializer data input and replaces the data delivered by the digital core. This test loop provides the possibility to test the complete analog macro data path from outside including input buffer, clock and data recovery, serialization and output buffer. The data received by the input buffer must be transmitted by the output buffer after some delay.

### 3.21.3.4.5 Equipment Loop

The 1-bit data stream at the serializer output is looped back to the deserializer and replaces the received data stream from the input buffer. This test loop provides the possibility to verify the digital data path internally. The transmit data goes through the serialization, the clock and data recovery and deserialization before the data is fed back to the digital core.

**Note:** After entering equipment loopback mode, the following workaround should be run with set= 1 option in case external signal is not present; when exiting equipment loopback mode, the set= 0 option should be run.

#### SGMII/QSGMII SerDes

```
PhyWrite(<phy>, 31, 0x52b5);
PhyWrite(<phy>, 16, 0xa68c);
tmp17 = PhyRead(<phy>,17);
if (set)
tmp17 |= 0x0010; //Set SigDet as desired, Set bit 4
else // clear SigDet
tmp17 &= 0xffef; //Clear SigDet, bit 4
PhyWrite(<phy>, 17, tmp17);
PhyWrite(<phy>, 16, 0x868c);
PhyWrite(<phy>, 31, 0x0);
```

#### Fiber Media SerDes

```
PhyWrite(<phy>, 31, 0x52b5);
PhyWrite(<phy>, 16, 0xa68a);
tmp17 = PhyRead(<phy>,17);
if (set)
tmp17 |= 0x0010; //Set SigDet as desired, Set bit 4
else // clear SigDet
tmp17 &= 0xffef; //Clear SigDet, bit 4
PhyWrite(<phy>, 17, tmp17);
PhyWrite(<phy>, 16, 0x868a);
PhyWrite(<phy>, 31, 0x0);
```

### 3.21.3.4.6 Input Loop

The received 1-bit data stream of the input buffer is looped back asynchronously to the output buffer. This test loop provides the possibility to test only the analog parts of the SGMII interface because only the input and output buffer are part of this loop.

**Note:** When the enhanced SerDes macro is in input loopback, the output is inverted relative to the input.

The following table shows the SerDes macro address map.

**Table 33 • SerDes Macro Address Map**

| SerDes Macro | Physical Address (s) | Interface Logical Type (p) | Address |
|--------------|----------------------|----------------------------|---------|
| SerDes0      | 0x0                  | Fiber0                     | 0x1     |
| SerDes1      | 0x1                  | SGMII1                     | 0x1     |
| SerDes2      | 0x2                  | Fiber1                     | 0x2     |
| SerDes3      | 0x3                  | SGMII2                     | 0x2     |
| SerDes4      | 0x4                  | Fiber2                     | 0x4     |
| SerDes5      | 0x5                  | SGMII3                     | 0x3     |
| SerDes6      | 0x6                  | Fiber3                     | 0x8     |

### 3.21.4 VeriPHY Cable Diagnostics

VSC8575-11 includes a comprehensive suite of cable diagnostic functions that are available using SMI reads and writes. These functions enable cable operating conditions and status to be accessed and checked. The VeriPHY suite has the ability to identify the cable length and operating conditions and to isolate common faults that can occur on the Cat5 twisted pair cabling.

For the functional details of the VeriPHY suite and the operating instructions, see the ENT-AN0125, *PHY, Integrated PHY-Switch VeriPHY - Cable Diagnostics Feature Application Note*.

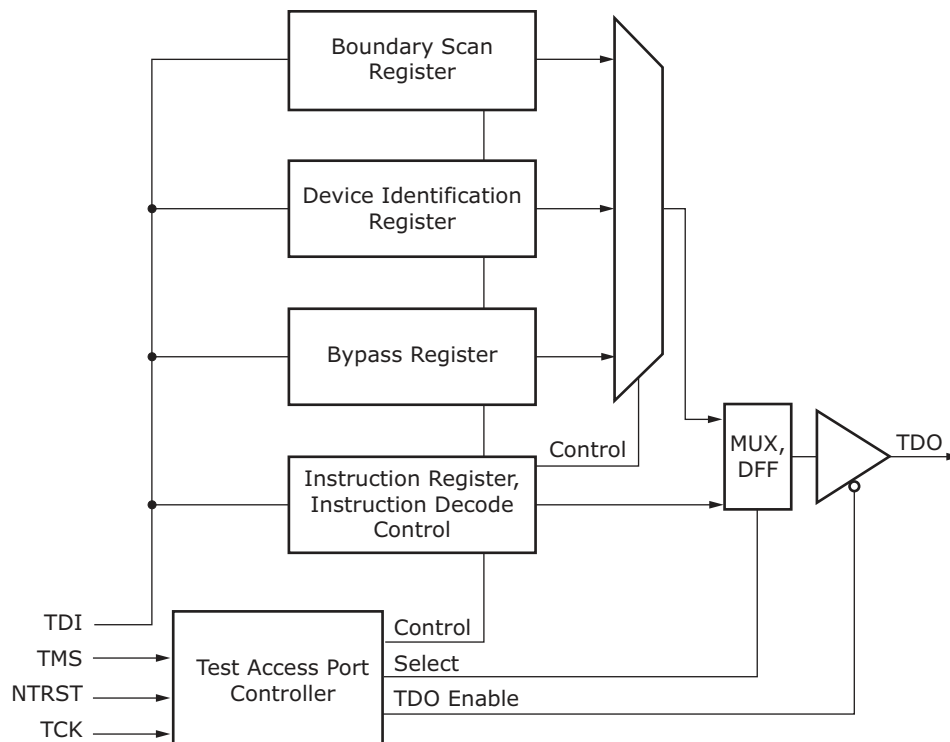
### 3.21.5 JTAG Boundary Scan

The VSC8575-11 supports the test access port (TAP) and boundary scan architecture described in IEEE 1149.1. The device includes an IEEE 1149.1-compliant test interface, referred to as a JTAG TAP interface.

The JTAG boundary scan logic on the VSC8575-11, accessed using its TAP interface, consists of a boundary scan register and other logic control blocks. The TAP controller includes all IEEE-required signals (TMS, TCK, TDI, and TDO), in addition to the optional asynchronous reset signal TRST. The following illustration shows the TAP and boundary scan architecture.

**Important** When JTAG is not in use, the TRST pin must be tied to ground with a pull-down resistor for normal operation.

**Figure 84 • Test Access Port and Boundary Scan Architecture**



After a TAP reset, the device identification register is serially connected between TDI and TDO by default. The TAP instruction register is loaded either from a shift register when a new instruction is shifted in, or, if there is no new instruction in the shift register, a default value of 6'b100000 (IDCODE) is loaded. Using this method, there is always a valid code in the instruction register, and the problem of toggling instruction bits during a shift is avoided. Unused codes are mapped to the BYPASS instruction.

### 3.21.6 JTAG Instruction Codes

The VSC8575-11 supports the following instruction codes:

**Table 34 • JTAG Instruction Codes**

| Instruction Code | Description  |
|------------------|--|
| BYPASS           | The bypass register contains a single shift-register stage and is used to provide a minimum-length serial path (one TCK clock period) between TDI and TDO to bypass the device when no test operation is required. |

**Table 34 • JTAG Instruction Codes (continued)**

| Instruction Code | Description   |
|------------------|---|
| CLAMP            | Allows the state of the signals driven from the component pins to be determined from the boundary scan register while the bypass register is selected as the serial path between TDI and TDO. While the CLAMP instruction is selected, the signals driven from the component pins do not change.  |
| EXTEST           | Allows tests of the off-chip circuitry and board-level interconnections by sampling input pins and loading data onto output pins. Outputs are driven by the contents of the boundary scan cells, which have to be updated with valid values, with the PRELOAD instruction, prior to the EXTEST instruction.   |
| HIGHZ            | Places the component in a state in which all of its system logic outputs are placed in a high-impedance state. In this state, an in-circuit test system can drive signals onto the connections normally driven by a component output without incurring a risk of damage to the component. This makes it possible to use a board where not all of the components are compatible with the IEEE 1149.1 standard. |
| IDCODE           | Provides the version number (bits 31:28), device family ID (bits 27:12), and the manufacturer identity (bits 11:1) to be serially read from the device.   |
| SAMPLE/PRELOAD   | Allows a snapshot of inputs and outputs during normal system operation to be taken and examined. It also allows data values to be loaded into the boundary scan cells prior to the selection of other boundary scan test instructions.  |
| USERCODE         | Provides the version number (bits 31:28), part number (bits 27:12), and the manufacturer identity (bits 11:1) to be serially read from the device.  |

The following tables provide information about the IDCODE and USERCODE binary values stored in the device JTAG registers.

**Table 35 • IDCODE JTAG Device Identification Register Descriptions**

| Description  | Device Version | Family ID           | Manufacturing Identity | LSB |
|--------------|----------------|---------------------|------------------------|-----|
| Bit field    | 31–28          | 27–12               | 11–1                   | 0   |
| Binary value | 0000           | 1000 0101 0111 0101 | 000 0111 0100          | 1   |

**Table 36 • USERCODE JTAG Device Identification Register Descriptions**

| Description  | Device Version | Model Number        | Manufacturing Identity | LSB |
|--------------|----------------|---------------------|------------------------|-----|
| Bit field    | 31–28          | 27–12               | 11–1                   | 0   |
| Binary value | 0001           | 1000 0101 0111 0101 | 000 0111 0100          | 1   |

The following table provides information about the location and IEEE compliance of the JTAG instruction codes used in the VSC8575-11. Instructions not explicitly listed in the table are reserved. For more information about these IEEE specifications, visit the IEEE Web site at [www.IEEE.org](http://www.IEEE.org).

**Table 37 • JTAG Instruction Code IEEE Compliance**

| Instruction    | Code      | Selected Register     | Register Width | IEEE 1149.1 |
|----------------|-----------|-----------------------|----------------|-------------|
| EXTEST         | 6'b000000 | Boundary Scan         | 161            | Mandatory   |
| SAMPLE/PRELOAD | 6'b000001 | Boundary Scan         | 161            | Mandatory   |
| IDCODE         | 6'b100000 | Device Identification | 32             | Optional    |
| USERCODE       | 6'b100101 | Device Identification | 32             | Optional    |
| CLAMP          | 6'b000010 | Bypass Register       | 1              | Optional    |
| HIGHZ          | 6'b000101 | Bypass Register       | 1              | Optional    |
| BYPASS         | 6'b111111 | Bypass Register       | 1              | Mandatory   |

### 3.21.7 Boundary Scan Register Cell Order

All inputs and outputs are observed in the boundary scan register cells. All outputs are additionally driven by the contents of boundary scan register cells. Bidirectional pins have all three related boundary scan register cells: input, output, and control.

The complete boundary scan cell order is available as a BSDL file format on the Microsemi Web site at [www.microsemi.com](http://www.microsemi.com).

## 3.22 100BASE-FX Far-End Fault Indication (FEFI)

The VSC8575-11 device implements Far-End Fault Indication (FEFI) generation and detection per IEEE 802.3-2005 clause 24.3.2.5 and 24.3.2.6 in 100BASE-FX.

FEFI enables stations on both ends of a pair of fibers to be informed when there is a problem with one of the fibers. Without this capability, it is impossible for a fiber interface to detect a problem that affects only its transmit fiber.

When FEFI is supported and enabled, a loss of receive signal (link) causes the transmitter to generate a Far End Fault pattern to inform the device at the far end of the fiber pair that a fault has occurred. When the local receiver again detects a signal, the local transmitter automatically returns to normal operation.

If a Far End Fault pattern is received by a fiber interface that supports Far End Fault and has the feature enabled, it causes link status “down.”

100BASE-FX far-end fault generation force/forceval pair forces the generation of a 100BASE-FX far-end fault or suppresses the automatic generation of the 100BASE-FX far-end fault. This is controlled by 23E3.1:0, which defaults to 00. Bit 1 forces 100BASE-FX far-end fault generation on when 23E3.0 is 1 or off when 23E3.0 is 0.

100BASE-FX far-end fault detection can be determined by reading status bit 27E3.13. This is a sticky bit that indicates the 100BASE-FX far-end fault has been detected since this register was last read. This register is cleared upon reading if 100BASE-FX far-end fault is no longer detected.

### 3.22.1 100BASE-FX Halt Code Transmission and Reception

The VSC8575-11 device supports transmission and reception of halt code words in 100BASE-FX mode. There are three separate scripts provided to initiate transmission of halt code words, stop transmission of halt code words and detect reception of halt code words.

## 3.23 Configuration

The VSC8575-11 can be configured by setting internal memory registers using the management interface. To configure the device, perform the following steps:



1. COMA\_MODE active, drive high.
2. Apply power.
3. Apply RefClk and IEEE 1588 reference clock.
4. Release reset, drive high. Power and clock must be stable before releasing reset.
5. Wait 120 ms minimum.
6. Apply init scripts from PHY\_API (required for production release, optional for board testing).
7. Configure register 19G for MAC mode (to access register 19G, register 31 must be 0x10). Read register 19G. Set bits 15:14, MAC configuration as follows:
  - 00: SGMII
  - 01: QSGMII
  - 10: Reserved
  - 11: Reserved
 Write new register 19G.
8. Configure register 18G for MAC on all PHY writes:
  - SGMII: 0x80F0
  - QSGMII: 0x80E0
9. Read register 18G until bit 15 equals 0.
10. If Fiber Media on all PHYs configure register 18G by writing:
  - Media 1000BASE-X, Protocol Transfer: 0x8FC1
  - Media 100BASE-FX: 0x8FD1
11. If Fiber Media read register 18G till bit 15 equals 0.
12. Configure register 23 for MAC and Media mode (to access register 23, register 31 must be 0). Read register 23. Set bits 10:8 as follows:
  - 000: Copper
  - 001: Protocol Transfer
  - 010: 1000BASE-X
  - 011: 100BASE-FX
 Write new register 23.
13. Software reset. Read register 0 (to access register 0, register 31 must be 0). Set bit 15 to 1. Write new register 0.
14. Read register 0 until bit 15 equals 0.
15. Apply Enhanced SerDes patch from PHY\_API (required).
16. Release the COMA\_MODE pin, drive low.

**Note:** All MAC interfaces must be the same — all QSGMII or SGMII.

### 3.23.1 Initialization

The COMA\_MODE pin provides an optional feature that may be used to control when the PHYs become active. The typical usage is to keep the PHYs from becoming active before they have been fully initialized. For more information, see [Configuration](#), page 98. By not being active until after complete initialization keeps links from going up and down. Alternatively the COMA\_MODE pin may be connected low (ground) and the PHYs will be fully active once out of reset.

## 4 Registers

This section provides information about how to configure the VSC8575-11 device using its internal memory registers and the management interface. The registers marked reserved and factory test should not be read or written to, because doing so may produce undesired effects.

The default value documented for registers is based on the value at reset; however, in some cases, that value may change immediately after reset.

The access type for each register is shown using the following abbreviations:

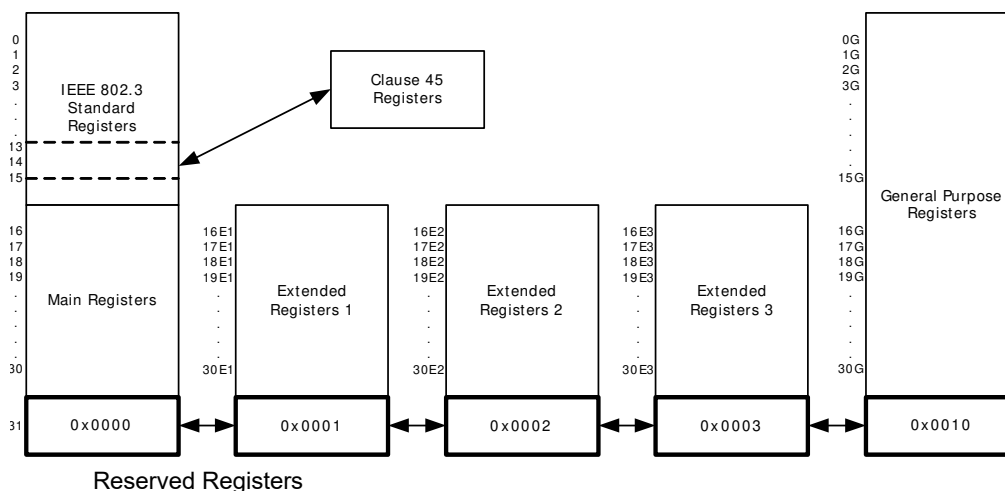
- RO: Read Only
- ROCR: Read Only, Clear on Read
- RO/LH: Read Only, Latch High
- RO/LL: Read Only, Latch Low
- R/W: Read and Write
- RWSC: Read Write Self Clearing

The VSC8575-11 uses several different types of registers:

- IEEE Clause 22 device registers with addresses from 0 to 31
- Four pages of extended registers with addresses from 16E1–30E1, 16E2–30E2, 16E3–30E3, and 16E4–30E4
- General-purpose registers with addresses from 0G to 30G
- IEEE Clause 45 devices registers accessible through the Clause 22 registers 13 and 14 to support IEEE 802.3az-2010 energy efficient Ethernet registers and IEEE 802.3bf-2011 registers

The following illustration shows the relationship between the device registers and their address spaces.

**Figure 85 • Register Space Diagram**



For main registers 16–31, extended registers 16E1–30E1, 16E2–30E2, 16E3–30E3, 16E4–30E4, and general purpose registers 0G–30G, any bits marked as Reserved should be processed as read-only and their states as undefined.

### Reserved Bits

In writing to registers with reserved bits, use a read-modify-then-write technique, where the entire register is read but only the intended bits to be changed are modified. Reserved bits cannot be changed and their read state cannot be considered static or unchanging.

## 4.1 Register and Bit Conventions

This document refers to registers by their address and bit number in decimal notation. A range of bits is indicated with a colon. For example, a reference to address 26, bits 15 through 14 is shown as 26.15:14.

A register with an E and a number attached (example 27E1) means it is a register contained within extended register page number 1. A register with a G attached (example 13G) means it is a GPIO page register.

Bit numbering follows the IEEE standard with bit 15 being the most significant bit and bit 0 being the least significant bit.

## 4.2 IEEE 802.3 and Main Registers

In the VSC8575-11, the page space of the standard registers consists of the IEEE 802.3 standard registers and the Microsemi standard registers. The following table lists the names of the registers associated with the addresses as specified by IEEE 802.3.

**Table 38 • IEEE 802.3 Registers**

| Address | Name  |
|---------|---|
| 0       | Mode Control  |
| 1       | Mode Status   |
| 2       | PHY Identifier 1  |
| 3       | PHY Identifier 2  |
| 4       | Autonegotiation Advertisement   |
| 5       | Autonegotiation Link Partner Ability  |
| 6       | Autonegotiation Expansion   |
| 7       | Autonegotiation Next-Page Transmit  |
| 8       | Autonegotiation Link Partner Next-Page Receive  |
| 9       | 1000BASE-T Control  |
| 10      | 1000BASE-T Status   |
| 11–12   | Reserved  |
| 13      | Clause 45 Access Registers from IEEE 802.3 Table 22-6 and 22.24.3.11-12 and Annex 22D |
| 14      | Clause 45 Access Registers from IEEE 802.3 Table 22-6 and 22.24.3.11-12 and Annex 22D |
| 15      | 1000BASE-T Status Extension 1   |

The following table lists the names of the registers in the main page space of the device. These registers are accessible only when register address 31 is set to 0x0000.

**Table 39 • Main Registers**

| Address | Name                          |
|---------|-------------------------------|
| 16      | 100BASE-TX status extension   |
| 17      | 1000BASE-T status extension 2 |
| 18      | Bypass control                |
| 19      | Error Counter 1               |
| 20      | Error Counter 2               |
| 21      | Error Counter 3               |
| 22      | Extended control and status   |
| 23      | Extended PHY control 1        |

**Table 39 • Main Registers (continued)**

| Address | Name                          |
|---------|-------------------------------|
| 24      | Extended PHY control 2        |
| 25      | Interrupt mask                |
| 26      | Interrupt status              |
| 27      | Reserved                      |
| 28      | Auxiliary control and status  |
| 29      | LED mode select               |
| 30      | LED behavior                  |
| 31      | Extended register page access |

## 4.2.1 Mode Control

The device register at memory address 0 controls several aspects of VSC8575-11 functionality. The following table shows the available bit settings in this register and what they control.

**Table 40 • Mode Control, Address 0 (0x00)**

| Bit | Name                       | Access | Description  | Default |
|-----|----------------------------|--------|--|---------|
| 15  | Software reset             | R/W    | Self-clearing. Restores all serial management interface (SMI) registers to default state, except for sticky and super-sticky bits.<br>1: Reset asserted.<br>0: Reset de-asserted. Wait 1 $\mu$ s after setting this bit to initiate another SMI register access. | 0       |
| 14  | Loopback                   | R/W    | 1: Loopback enabled.<br>0: Loopback disabled. When loop back is enabled, the device functions at the current speed setting and with the current duplex mode setting (bits 6, 8, and 13 of this register).  | 0       |
| 13  | Forced speed selection LSB | R/W    | Least significant bit. MSB is bit 6.<br>00: 10 Mbps.<br>01: 100 Mbps.<br>10: 1000 Mbps.<br>11: Reserved.   | 0       |
| 12  | Autonegotiation enable     | R/W    | 1: Autonegotiation enabled.<br>0: Autonegotiation disabled.  | 1       |
| 11  | Power-down                 | R/W    | 1: Power-down enabled.   | 0       |
| 10  | Isolate                    | R/W    | 1: Disable MAC interface outputs and ignore MAC interface inputs.  | 0       |
| 9   | Restart autonegotiation    | R/W    | Self-clearing bit.<br>1: Restart autonegotiation on media interface.   | 0       |
| 8   | Duplex                     | R/W    | 1: Full-duplex.<br>0: Half-duplex.   | 0       |
| 7   | Collision test enable      | R/W    | 1: Collision test enabled.   | 0       |
| 6   | Forced speed selection MSB | R/W    | Most significant bit. LSB is bit 13. <sup>1</sup><br>00: 10 Mbps.<br>01: 100 Mbps.<br>10: 1000 Mbps.<br>11: Reserved.  | 10      |

**Table 40 • Mode Control, Address 0 (0x00) (continued)**

| Bit | Name                  | Access | Description   | Default |
|-----|-----------------------|--------|---|---------|
| 5   | Unidirectional enable | R/W    | When bit 0.12 = 1 or bit 0.8 = 0, this bit is ignored. When bit 0.12 = 0 and bit 0.8 = 1, the behavior is as follows:<br>1: Enable transmit from media independent interface regardless of whether the PHY has determined that a valid link has been established.<br>0: Enable transmit from media independent interface only when the PHY has determined that a valid link has been established.<br><b>Note:</b> This bit is only applicable in 100BASE-FX and 1000BASE-X fiber media modes. | 0       |
| 4:0 | Reserved              |        | Reserved.   | 00000   |

- Before selecting the 1000 Mbps forced speed mode, manually configure the PHY as master or slave by setting bit 11 in register 9 (1000BASE-T Control). Each time the link drops, the PHY needs to be powered down manually to enable it to link up again using the master/slave setting specified in register 9.11.

## 4.2.2 Mode Status

The register at address 1 in the device main registers space allows you to read the currently enabled mode setting. The following table shows possible readouts of this register.

**Table 41 • Mode Status, Address 1 (0x01)**

| Bit | Name                            | Access | Description  | Default |
|-----|---------------------------------|--------|--|---------|
| 15  | 100BASE-T4 capability           | RO     | 1: 100BASE-T4 capable.   | 0       |
| 14  | 100BASE-TX FDX capability       | RO     | 1: 100BASE-TX FDX capable.   | 1       |
| 13  | 100BASE-TX HDX capability       | RO     | 1: 100BASE-TX HDX capable.   | 1       |
| 12  | 10BASE-T FDX capability         | RO     | 1: 10BASE-T FDX capable.   | 1       |
| 11  | 10BASE-T HDX capability         | RO     | 1: 10BASE-T HDX capable.   | 1       |
| 10  | 100BASE-T2 FDX capability       | RO     | 1: 100BASE-T2 FDX capable.   | 0       |
| 9   | 100BASE-T2 HDX capability       | RO     | 1: 100BASE-T2 HDX capable.   | 0       |
| 8   | Extended status enable          | RO     | 1: Extended status information present in register 15.   | 1       |
| 7   | Unidirectional ability          | RO     | 1: PHY able to transmit from media independent interface regardless of whether the PHY has determined that a valid link has been established.<br>0: PHY able to transmit from media independent interface only when the PHY has determined that a valid link has been established.<br><b>Note:</b> This bit is only applicable to 100BASE-FX and 1000BASE-X fiber media modes. | 1       |
| 6   | Preamble suppression capability | RO     | 1: MF preamble can be suppressed.<br>0: MF required.   | 1       |

**Table 41 • Mode Status, Address 1 (0x01) (continued)**

| Bit | Name                       | Access | Description                                    | Default |
|-----|----------------------------|--------|--|---------|
| 5   | Autonegotiation complete   | RO     | 1: Autonegotiation complete.                   | 0       |
| 4   | Remote fault               | RO     | Latches high.<br>1: Far-end fault detected.    | 0       |
| 3   | Autonegotiation capability | RO     | 1: Autonegotiation capable.                    | 1       |
| 2   | Link status                | RO     | Latches low.<br>1: Link is up.                 | 0       |
| 1   | Jabber detect              | RO     | Latches high.<br>1: Jabber condition detected. | 0       |
| 0   | Extended capability        | RO     | 1: Extended register capable.                  | 1       |

### 4.2.3 Device Identification

All 16 bits in both register 2 and register 3 in the VSC8575-11 are used to provide information associated with aspects of the device identification. The following tables list the expected readouts.

**Table 42 • Identifier 1, Address 2 (0x02)**

| Bit  | Name                                     | Access | Description                      | Default |
|------|--|--------|----------------------------------|---------|
| 15:0 | Organizationally unique identifier (OUI) | RO     | OUI most significant bits (3:18) | 0×0007  |

**Table 43 • Identifier 2, Address 3 (0x03)**

| Bit   | Name                   | Access | Description                        | Default |
|-------|------------------------|--------|------------------------------------|---------|
| 15:10 | OUI                    | RO     | OUI least significant bits (19:24) | 000001  |
| 9:4   | Microsemi model number | RO     | VSC8575-11 (0x3D)                  | 111101  |
| 3:0   | Device revision number | RO     | Revision B                         | 0001    |

### 4.2.4 Autonegotiation Advertisement

The bits in address 4 in the main registers space control the VSC8575-11 ability to notify other devices of the status of its autonegotiation feature. The following table shows the available settings and readouts.

**Table 44 • Device Autonegotiation Advertisement, Address 4 (0x04)**

| Bit | Name                           | Access | Description                    | Default |
|-----|--------------------------------|--------|--------------------------------|---------|
| 15  | Next page transmission request | R/W    | 1: Request enabled             | 0       |
| 14  | Reserved                       | RO     | Reserved                       | 0       |
| 13  | Transmit remote fault          | R/W    | 1: Enabled                     | 0       |
| 12  | Reserved                       | R/W    | Reserved                       | 0       |
| 11  | Advertise asymmetric pause     | R/W    | 1: Advertises asymmetric pause | 0       |
| 10  | Advertise symmetric pause      | R/W    | 1: Advertises symmetric pause  | 0       |
| 9   | Advertise100BASE-T4            | R/W    | 1: Advertises 100BASE-T4       | 0       |
| 8   | Advertise100BASE-TX FDX        | R/W    | 1: Advertise 100BASE-TX FDX    | 1       |
| 7   | Advertise100BASE-TX HDX        | R/W    | 1: Advertises 100BASE-TX HDX   | 1       |
| 6   | Advertise10BASE-T FDX          | R/W    | 1: Advertises 10BASE-T FDX     | 1       |

**Table 44 • Device Autonegotiation Advertisement, Address 4 (0x04) (continued)**

| Bit | Name                  | Access | Description                | Default |
|-----|-----------------------|--------|----------------------------|---------|
| 5   | Advertise10BASE-T HDX | R/W    | 1: Advertises 10BASE-T HDX | 1       |
| 4:0 | Advertise selector    | R/W    |                            | 00001   |

## 4.2.5 Link Partner Autonegotiation Capability

The bits in main register 5 can be used to determine if the Cat5 link partner (LP) used with the VSC8575-11 is compatible with the autonegotiation functionality.

**Table 45 • Autonegotiation Link Partner Ability, Address 5 (0x05)**

| Bit | Name                              | Access | Description                    | Default |
|-----|-----------------------------------|--------|--------------------------------|---------|
| 15  | LP next page transmission request | RO     | 1: Requested                   | 0       |
| 14  | LP acknowledge                    | RO     | 1: Acknowledge                 | 0       |
| 13  | LP remote fault                   | RO     | 1: Remote fault                | 0       |
| 12  | Reserved                          | RO     | Reserved                       | 0       |
| 11  | LP advertise asymmetric pause     | RO     | 1: Capable of asymmetric pause | 0       |
| 10  | LP advertise symmetric pause      | RO     | 1: Capable of symmetric pause  | 0       |
| 9   | LP advertise 100BASE-T4           | RO     | 1: Capable of 100BASE-T4       | 0       |
| 8   | LP advertise 100BASE-TX FDX       | RO     | 1: Capable of 100BASE-TX FDX   | 0       |
| 7   | LP advertise 100BASE-TX HDX       | RO     | 1: Capable of 100BASE-TX HDX   | 0       |
| 6   | LP advertise 10BASE-T FDX         | RO     | 1: Capable of 10BASE-T FDX     | 0       |
| 5   | LP advertise 10BASE-T HDX         | RO     | 1: Capable of 10BASE-T HDX     | 0       |
| 4:0 | LP advertise selector             | RO     |                                | 00000   |

## 4.2.6 Autonegotiation Expansion

The bits in main register 6 work together with those in register 5 to indicate the status of the LP autonegotiation functioning. The following table shows the available settings and readouts.

**Table 46 • Autonegotiation Expansion, Address 6 (0x06)**

| Bit  | Name                          | Access | Description  | Default   |
|------|-------------------------------|--------|--|-----------|
| 15:5 | Reserved                      | RO     | Reserved.  | All zeros |
| 4    | Parallel detection fault      | RO     | This bit latches high.<br>1: Parallel detection fault. | 0         |
| 3    | LP next page capable          | RO     | 1: LP is next page capable.                            | 0         |
| 2    | Local PHY next page capable   | RO     | 1: Local PHY is next page capable.                     | 1         |
| 1    | Page received                 | RO     | This bit latches low.<br>1: New page is received.      | 0         |
| 0    | LP is autonegotiation capable | RO     | 1: LP is capable of autonegotiation.                   | 0         |

## 4.2.7 Transmit Autonegotiation Next Page

The settings in register 7 in the main registers space provide information about the number of pages in an autonegotiation sequence. The following table shows the settings available.

**Table 47 • Autonegotiation Next Page Transmit, Address 7 (0x07)**

| Bit  | Name                     | Access | Description  | Default    |
|------|--------------------------|--------|--|------------|
| 15   | Next page                | R/W    | 1: More pages follow   | 0          |
| 14   | Reserved                 | RO     | Reserved   | 0          |
| 13   | Message page             | R/W    | 1: Message page<br>0: Unformatted page                             | 1          |
| 12   | Acknowledge 2            | R/W    | 1: Complies with request<br>0: Cannot comply with request          | 0          |
| 11   | Toggle                   | RO     | 1: Previous transmitted LCW = 0<br>0: Previous transmitted LCW = 1 | 0          |
| 10:0 | Message/unformatted code | R/W    |  | 0000000001 |

## 4.2.8 Autonegotiation Link Partner Next Page Receive

The bits in register 8 of the main register space work together with register 7 to determine certain aspects of the LP autonegotiation. The following table shows the possible readouts.

**Table 48 • Autonegotiation LP Next Page Receive, Address 8 (0x08)**

| Bit  | Name                        | Access | Description  | Default   |
|------|-----------------------------|--------|--|-----------|
| 15   | LP next page                | RO     | 1: More pages follow   | 0         |
| 14   | Acknowledge                 | RO     | 1: LP acknowledge  | 0         |
| 13   | LP message page             | RO     | 1: Message page<br>0: Unformatted page                             | 0         |
| 12   | LP acknowledge 2            | RO     | 1: LP complies with request  | 0         |
| 11   | LP toggle                   | RO     | 1: Previous transmitted LCW = 0<br>0: Previous transmitted LCW = 1 | 0         |
| 10:0 | LP message/unformatted code | RO     |  | All zeros |

## 4.2.9 1000BASE-T/X Control

The VSC8575-11's 1000BASE-T/X functionality is controlled by the bits in register 9 of the main register space. The following table shows the settings and readouts available.

**Table 49 • 1000BASE-T/X Control, Address 9 (0x09)**

| Bit   | Name   | Access | Description  | Default |
|-------|--|--------|--|---------|
| 15:13 | Transmitter test mode <sup>1</sup>             | R/W    | 000: Normal<br>001: Mode 1: Transmit waveform test<br>010: Mode 2: Transmit jitter test as master<br>011: Mode 3: Transmit jitter test as slave<br>100: Mode 4: Transmitter distortion test<br>101–111: Reserved | 000     |
| 12    | Master/slave manual configuration <sup>1</sup> | R/W    | 1: Master/slave manual configuration enabled   | 0       |



**Table 49 • 1000BASE-T/X Control, Address 9 (0x09) (continued)**

| Bit | Name                            | Access | Description   | Default |
|-----|---------------------------------|--------|---|---------|
| 11  | Master/slave value <sup>1</sup> | R/W    | This register is only valid when bit 9.12 is set to 1.<br>1: Configure PHY as master during negotiation<br>0: Configure PHY as slave during negotiation | 0       |
| 10  | Port type                       | R/W    | 1: Multi-port device<br>0: Single-port device   | 1       |
| 9   | 1000BASE-T/X FDX capability     | R/W    | 1: PHY is 1000BASE-T/X FDX capable  | 1       |
| 8   | 1000BASE-T/X HDX capability     | R/W    | 1: PHY is 1000BASE-T/X HDX capable  | 1       |
| 7:0 | Reserved                        | R/W    | Reserved  | 0x00    |

1. Applies to 1000BASE-T only.

**Note:** Transmitter test mode (bits 15:13) operates in the manner described in IEEE 802.3 section 40.6.1.1.2. When using any of the transmitter test modes, the automatic media sense feature must be disabled. For more information, see [Extended PHY Control Set 1](#), page 112.

## 4.2.10 1000BASE-T Status

The bits in register 10 of the main register space can be read to obtain the status of the 1000BASE-T communications enabled in the device. The following table shows the readouts.

**Table 50 • 1000BASE-T Status, Address 10 (0x0A)**

| Bit | Name   | Access | Description   | Default |
|-----|--|--------|---|---------|
| 15  | Master/slave configuration fault                   | RO     | This bit latches high.<br>1: Master/slave configuration fault detected<br>0: No master/slave configuration fault detected | 0       |
| 14  | Master/slave configuration resolution <sup>1</sup> | RO     | 1: Local PHY configuration resolved to master<br>0: Local PHY configuration resolved to slave                             | 1       |
| 13  | Local receiver status                              | RO     | 1: Local receiver is operating normally   | 0       |
| 12  | Remote receiver status                             | RO     | 1: Remote receiver OK   | 0       |
| 11  | LP 1000BASE-T FDX capability                       | RO     | 1: LP 1000BASE-T FDX capable  | 0       |
| 10  | LP 1000BASE-T HDX capability                       | RO     | 1: LP 1000BASE-T HDX capable  | 0       |
| 9:8 | Reserved   | RO     | Reserved  | 00      |
| 7:0 | Idle error count                                   | RO     | Self-clearing register  | 0x00    |

1. Indicates initial state and PCS scrambler in use. It does not change if Ring Resiliency is being used and the timing Master/Slave relationship is changed.

## 4.2.11 MMD Access Control Register

The bits in register 13 of the main register space are a window to the EEE registers as defined in IEEE 802.3az-2010 Clause 45.

**Table 51 • MMD EEE Access, Address 13 (0x0D)**

| Bit   | Name     | Access | Description  |
|-------|----------|--------|--|
| 15:14 | Function | R/W    | 00: Address<br>01: Data, no post increment<br>10: Data, post increment for read and write<br>11: Data, post increment for write only |
| 13:5  | Reserved | R/W    | Reserved   |
| 4:0   | DVAD     | R/W    | Device address as defined in IEEE 802.3az-2010 table 45–1  |

## 4.2.12 MMD Address or Data Register

The bits in register 14 of the main register space are a window to the EEE registers as defined in IEEE 802.3az-2010 Clause 45.

**Table 52 • MMD Address or Data Register, Address 14 (0x0E)**

| Bit  | Name                  | Access | Description  |
|------|-----------------------|--------|--|
| 15:0 | Register Address/Data | R/W    | When register 13.15:14 = 2'b00, address of register of the device that is specified by 13.4:0. Otherwise, the data to be written to or read from the register. |

## 4.2.13 1000BASE-T Status Extension 1

Register 15 provides additional information about the operation of the device 1000BASE-T communications. The following table shows the readouts available.

**Table 53 • 1000BASE-T Status Extension 1, Address 15 (0x0F)**

| Bit  | Name                      | Access | Description                      | Default |
|------|---------------------------|--------|----------------------------------|---------|
| 15   | 1000BASE-X FDX capability | RO     | 1: PHY is 1000BASE-X FDX capable | 0       |
| 14   | 1000BASE-X HDX capability | RO     | 1: PHY is 1000BASE-X HDX capable | 0       |
| 13   | 1000BASE-T FDX capability | RO     | 1: PHY is 1000BASE-T FDX capable | 1       |
| 12   | 1000BASE-T HDX capability | RO     | 1: PHY is 1000BASE-T HDX capable | 1       |
| 11:0 | Reserved                  | RO     | Reserved                         | 0x000   |

## 4.2.14 100BASE-TX/FX Status Extension

Register 16 in the main registers page space of the VSC8575-11 provides additional information about the status of the device's 100BASE-TX/100BASE-FX operation.

**Table 54 • 100BASE-TX/FX Status Extension, Address 16 (0x10)**

| Bit | Name                      | Access | Description                                  | Default |
|-----|---------------------------|--------|--|---------|
| 15  | 100BASE-TX/FX Descrambler | RO     | 1: Descrambler locked                        | 0       |
| 14  | 100BASE-TX/FX lock error  | RO     | Self-clearing bit.<br>1: Lock error detected | 0       |

**Table 54 • 100BASE-TX/FX Status Extension, Address 16 (0x10) (continued)**

| Bit | Name                              | Access | Description   | Default |
|-----|-----------------------------------|--------|---|---------|
| 13  | 100BASE-TX/FX disconnect state    | RO     | Self-clearing bit.<br>1: PHY 100BASE-TX link disconnect detected  | 0       |
| 12  | 100BASE-TX/FX current link status | RO     | 1: PHY 100BASE-TX link active                                     | 0       |
| 11  | 100BASE-TX/FX receive error       | RO     | Self-clearing bit.<br>1: Receive error detected                   | 0       |
| 10  | 100BASE-TX/FX transmit error      | RO     | Self-clearing bit.<br>1: Transmit error detected                  | 0       |
| 9   | 100BASE-TX/FX SSD error           | RO     | Self-clearing bit.<br>1: Start-of-stream delimiter error detected | 0       |
| 8   | 100BASE-TX/FX ESD error           | RO     | Self-clearing bit.<br>1: End-of-stream delimiter error detected   | 0       |
| 7:0 | Reserved                          | RO     | Reserved  |         |

## 4.2.15 1000BASE-T Status Extension 2

The second status extension register is at address 17 in the device main registers space. It provides information about another set of parameters associated with 1000BASE-T communications. For information about the first status extension register, see [Table 53](#), page 108.

**Table 55 • 1000BASE-T Status Extension 2, Address 17 (0x11)**

| Bit | Name                               | Access | Description   | Default |
|-----|------------------------------------|--------|---|---------|
| 15  | 1000BASE-T descrambler             | RO     | 1: Descrambler locked.  | 0       |
| 14  | 1000BASE-T lock error              | RO     | Self-clearing bit.<br>1: Lock error detected                      | 0       |
| 13  | 1000BASE-T disconnect state        | RO     | Self-clearing bit.<br>1: PHY 1000BASE-T link disconnect detected  | 0       |
| 12  | 1000BASE-T current link status     | RO     | 1: PHY 1000BASE-T link active                                     | 0       |
| 11  | 1000BASE-T receive error           | RO     | Self-clearing bit.<br>1: Receive error detected                   | 0       |
| 10  | 1000BASE-T transmit error          | RO     | Self-clearing bit.<br>1: Transmit error detected                  | 0       |
| 9   | 1000BASE-T SSD error               | RO     | Self-clearing bit.<br>1: Start-of-stream delimiter error detected | 0       |
| 8   | 1000BASE-T ESD error               | RO     | Self-clearing bit.<br>1: End-of-stream delimiter error detected   | 0       |
| 7   | 1000BASE-T carrier extension error | RO     | Self-clearing bit.<br>1: Carrier extension error detected         | 0       |
| 6   | Non-compliant BCM5400 detected     | RO     | 1: Non-compliant BCM5400 link partner detected                    | 0       |
| 5   | MDI crossover error                | RO     | 1: MDI crossover error was detected                               | 0       |

**Table 55 • 1000BASE-T Status Extension 2, Address 17 (0x11) (continued)**

| Bit | Name     | Access | Description | Default |
|-----|----------|--------|-------------|---------|
| 4:0 | Reserved | RO     | Reserved    |         |

## 4.2.16 Bypass Control

The bits in this register control aspects of functionality in effect when the device is disabled for the purpose of traffic bypass. The following table shows the settings available.

**Table 56 • Bypass Control, Address 18 (0x12)**

| Bit | Name   | Access | Description  | Default |
|-----|--|--------|--|---------|
| 15  | Transmit disable   | R/W    | 1: PHY transmitter disabled  | 0       |
| 14  | 4B5B encoder/decoder   | R/W    | 1: Bypass 4B/5B encoder/decoder  | 0       |
| 13  | Scrambler  | R/W    | 1: Bypass scrambler  | 0       |
| 12  | Descrambler  | R/W    | 1: Bypass descrambler  | 0       |
| 11  | PCS receive  | R/W    | 1: Bypass PCS receiver   | 0       |
| 10  | PCS transmit   | R/W    | 1: Bypass PCS transmit   | 0       |
| 9   | LFI timer  | R/W    | 1: Bypass Link Fail Inhibit (LFI) timer  | 0       |
| 8   | Reserved   | RO     | Reserved   |         |
| 7   | HP Auto-MDIX at forced 10/100  | R/W    | Sticky bit.<br>1: Disable HP Auto-MDIX at forced 10/100 speeds                     | 1       |
| 6   | Non-compliant BCM5400 detect disable                                     | R/W    | Sticky bit.<br>1: Disable non-compliant BCM5400 detection                          | 0       |
| 5   | Disable pair swap correction (HP Auto-MDIX when autonegotiation enabled) | R/W    | Sticky bit.<br>1: Disable the automatic pair swap correction                       | 0       |
| 4   | Disable polarity correction  | R/W    | Sticky bit.<br>1: Disable polarity inversion correction on each subchannel         | 0       |
| 3   | Parallel detect control  | R/W    | Sticky bit.<br>1: Do not ignore advertised ability<br>0: Ignore advertised ability | 1       |
| 2   | Pulse shaping filter   | R/W    | 1: Disable pulse shaping filter  | 0       |
| 1   | Disable automatic 1000BASE-T next page exchange                          | R/W    | Sticky bit.<br>1: Disable automatic 1000BASE T next page exchanges                 | 0       |
| 0   | Reserved   | RO     | Reserved   |         |

**Note:** If bit 18.1 is set to 1 in this register, automatic exchange of next pages is disabled, and control is returned to the user through the SMI after the base page is exchanged. The user then must send the correct sequence of next pages to the link partner, determine the common capabilities, and force the device into the correct configuration following the successful exchange of pages.

### 4.2.17 Error Counter 1

The bits in register 19 provide an error counter. The following table shows the settings available.

**Table 57 • Extended Control and Status, Address 19 (0x13)**

| Bit  | Name                           | Access | Description   | Default |
|------|--------------------------------|--------|---|---------|
| 15:8 | Reserved                       | RO     | Reserved.   |         |
| 7:0  | 100/1000 receive error counter | RO     | 8-bit counter that saturates when it reaches 255. These bits are self-clearing when read. | 0x00    |

### 4.2.18 Error Counter 2

The bits in register 20 provide an error counter. The following table shows the settings available.

**Table 58 • Extended Control and Status, Address 20 (0x14)**

| Bit  | Name                           | Access | Description   | Default |
|------|--------------------------------|--------|---|---------|
| 15:8 | Reserved                       | RO     | Reserved.   |         |
| 7:0  | 100/1000 false carrier counter | RO     | 8-bit counter that saturates when it reaches 255. These bits are self-clearing when read. | 0x00    |

### 4.2.19 Error Counter 3

The bits in register 21 provide an error counter. The following table shows the settings available.

**Table 59 • Extended Control and Status, Address 21 (0x15)**

| Bit  | Name                                 | Access | Description   | Default |
|------|--------------------------------------|--------|---|---------|
| 15:8 | Reserved                             | RO     | Reserved.   |         |
| 7:0  | Copper media link disconnect counter | RO     | 8-bit counter that saturates when it reaches 255. These bits are self-clearing when read. | 0x00    |

### 4.2.20 Extended Control and Status

The bits in register 22 provide additional device control and readouts. The following table shows the settings available.

**Table 60 • Extended Control and Status, Address 22 (0x16)**

| Bit | Name                     | Access | Description   | Default |
|-----|--------------------------|--------|---|---------|
| 15  | Force 10BASE-T link high | R/W    | Sticky bit.<br>1: Bypass link integrity test<br>0: Enable link integrity test | 0       |
| 14  | Jabber detect disable    | R/W    | Sticky bit.<br>1: Disable jabber detect                                       | 0       |
| 13  | Disable 10BASE-T echo    | R/W    | Sticky bit.<br>1: Disable 10BASE-T echo                                       | 1       |
| 12  | Disable SQE mode         | R/W    | Sticky bit.<br>1: Disable SQE mode  | 1       |

**Table 60 • Extended Control and Status, Address 22 (0x16) (continued)**

| Bit   | Name                      | Access | Description  | Default |
|-------|---------------------------|--------|--|---------|
| 11:10 | 10BASE-T squelch control  | R/W    | Sticky bit.<br>00: Normal squelch<br>01: Low squelch<br>10: High squelch<br>11: Reserved | 00      |
| 9     | Sticky reset enable       | R/W    | Super-sticky bit.<br>1: Enabled  | 1       |
| 8     | EOF Error                 | RO     | This bit is self-clearing.<br>1: EOF error detected                                      | 0       |
| 7     | 10BASE-T disconnect state | RO     | This bit is self-clearing.<br>1: 10BASE-T link disconnect detected                       | 0       |
| 6     | 10BASE-T link status      | RO     | 1: 10BASE-T link active  | 0       |
| 5:1   | Reserved                  | RO     | Reserved   |         |
| 0     | SMI broadcast write       | R/W    | Sticky bit.<br>1: Enabled  | 0       |

The following information applies to the extended control and status bits:

- When bit 22.15 is set, the link integrity state machine is bypassed and the PHY is forced into a link pass status.
- When bits 22.11:10 are set to 00, the squelch threshold levels are based on the IEEE standard for 10BASE-T. When set to 01, the squelch level is decreased, which can improve the bit error rate performance on long loops. When set to 10, the squelch level is increased and can improve the bit error rate in high-noise environments.
- When bit 22.9 is set, all sticky register bits retain their values during a software reset. Clearing this bit causes all sticky register bits to change to their default values upon software reset. Super-sticky bits retain their values upon software reset regardless of the setting of bit 22.9.
- When bit 22.0 is set, if a write to any PHY register (registers 0–31, including extended registers), the same write is broadcast to all PHYs. For example, if bit 22.0 is set to 1 and a write to PHY0 is executed (register 0 is set to 0x1040), all PHYs' register 0s are set to 0x1040. Disabling this bit restores normal PHY write operation. Reads are still possible when this bit is set, but the value that is read corresponds only to the particular PHY being addressed.

#### 4.2.21 Extended PHY Control Set 1

The following table shows the settings available.

**Table 61 • Extended PHY Control 1, Address 23 (0x17)**

| Bit   | Name               | Access | Description   | Default |
|-------|--------------------|--------|---|---------|
| 15:13 | Reserved           | R/W    | Reserved  | 0       |
| 12    | MAC interface mode | R/W    | Super-sticky bit.<br>0: SGMII<br>1: 1000BASE-X.<br><b>Note:</b> Register 19G.15:14 must be = 00 for this selection to be valid. | 0       |
| 11    | AMS preference     | R/W    | Super-sticky bit.<br>1: Cat5 copper preferred.<br>0: SerDes fiber/SFP preferred.  | 0       |

**Table 61 • Extended PHY Control 1, Address 23 (0x17) (continued)**

| Bit  | Name                  | Access | Description  | Default |
|------|-----------------------|--------|--|---------|
| 10:8 | Media operating mode  | R/W    | Super-sticky bits.<br>000: Cat5 copper only.<br>001: SerDes fiber/SFP protocol transfer mode only.<br>010: 1000BASE-X fiber/SFP media only with autonegotiation performed by the PHY.<br>011: 100BASE-FX fiber/SFP on the fiber media pins only.<br>101: Automatic media sense (AMS) with Cat5 media or SerDes fiber/SFP protocol transfer mode.<br>110: AMS with Cat5 media or 1000BASE-X fiber/SFP media with autonegotiation performed by PHY.<br>111: AMS with Cat5 media or 100BASE-FX fiber/SFP media.<br>100: Reserved. | 000     |
| 7:6  | Force AMS override    | R/W    | 00: Normal AMS selection<br>01: Force AMS to select SerDes media only<br>10: Force AMS to select copper media only<br>11: Reserved   | 00      |
| 5:4  | Reserved              | RO     | Reserved.  |         |
| 3    | Far-end loopback mode | R/W    | 1: Enabled.  | 0       |
| 2:0  | Reserved              | RO     | Reserved.  |         |

**Note:** After configuring bits 13:8 of the extended PHY control register set 1, a software reset (register 0, bit 15) must be written to change the device operating mode. On read, these bits only indicate the actual operating mode and not the pending operating mode setting before a software reset has taken place.

## 4.2.22 Extended PHY Control Set 2

The second set of extended controls is located in register 24 in the main register space for the device. The following table shows the settings and readouts available.

**Table 62 • Extended PHY Control 2, Address 24 (0x18)**

| Bit   | Name                          | Access | Description  | Default |
|-------|-------------------------------|--------|--|---------|
| 15:13 | 100BASE-TX edge rate control  | R/W    | Sticky bit.<br>011: +5 edge rate (slowest)<br>010: +4 edge rate<br>001: +3 edge rate<br>000: +2 edge rate<br>111: +1 edge rate<br>110: Default edge rate<br>101: -1 edge rate<br>100: -2 edge rate (fastest) | 000     |
| 12    | PICMG 2.16 reduced power mode | R/W    | Sticky bit.<br>1: Enabled  | 0       |
| 11:6  | Reserved                      | RO     | Reserved   |         |

**Table 62 • Extended PHY Control 2, Address 24 (0x18) (continued)**

| Bit | Name                          | Access | Description  | Default |
|-----|-------------------------------|--------|--|---------|
| 5:4 | Jumbo packet mode             | R/W    | Sticky bit.<br>00: Normal IEEE 1.5 kB packet length<br>01: 9 kB jumbo packet length (12 kB with 60 ppm or better reference clock)<br>10: 12 kB jumbo packet length (16 kB with 70 ppm or better reference clock)<br>11: Reserved | 00      |
| 3:1 | Reserved                      | RO     | Reserved   |         |
| 0   | 1000BASE-T connector loopback | R/W    | 1: Enabled   | 0       |

**Note:** When bits 5:4 are set to jumbo packet mode, the default maximum packet values are based on 100 ppm driven reference clock to the device. Controlling the ppm offset between the MAC and the PHY as specified in the bit description results in a higher jumbo packet length.

## 4.2.23 Interrupt Mask

These bits control the device interrupt mask. The following table shows the settings available.

**Table 63 • Interrupt Mask, Address 25 (0x19)**

| Bit | Name                                    | Access | Description             | Default |
|-----|---|--------|-------------------------|---------|
| 15  | MDINT interrupt status enable           | R/W    | Sticky bit. 1: Enabled. | 0       |
| 14  | Speed state change mask                 | R/W    | Sticky bit. 1: Enabled. | 0       |
| 13  | Link state change mask                  | R/W    | Sticky bit. 1: Enabled. | 0       |
| 12  | FDX state change mask                   | R/W    | Sticky bit. 1: Enabled. | 0       |
| 11  | Autonegotiation error mask              | R/W    | Sticky bit. 1: Enabled. | 0       |
| 10  | Autonegotiation complete mask           | R/W    | Sticky bit. 1: Enabled. | 0       |
| 9   | Inline powered device (PoE) detect mask | R/W    | Sticky bit. 1: Enabled. | 0       |
| 8   | Symbol error interrupt mask             | R/W    | Sticky bit. 1: Enabled. | 0       |
| 7   | Fast link failure interrupt mask        | R/W    | Sticky bit. 1: Enabled. | 0       |
| 6   | Reserved                                | R/W    | Reserved                | 0       |
| 5   | Extended interrupt mask                 | R/W    | Sticky bit. 1: Enabled. | 0       |
| 4   | AMS media changed mask <sup>1</sup>     | R/W    | Sticky bit. 1: Enabled. | 0       |
| 3   | False carrier interrupt mask            | R/W    | Sticky bit. 1: Enabled. | 0       |
| 2   | Link speed downshift detect mask        | R/W    | Sticky bit. 1: Enabled. | 0       |
| 1   | Master/Slave resolution error mask      | R/W    | Sticky bit. 1: Enabled. | 0       |
| 0   | RX_ER interrupt mask                    | R/W    | Sticky bit. 1: Enabled. | 0       |

1. If hardware interrupts are not used, the mask can still be set and the status polled for changes.

**Note:** When bit 25.15 is set, the MDINT pin is enabled. When enabled, the state of this pin reflects the state of bit 26.15. Clearing this bit only inhibits the MDINT pin from being asserted. Also, before enabling this bit, read register 26 to clear any previously inactive interrupts pending that will cause bit 26.15 to be set.



## 4.2.24 Interrupt Status

The status of interrupts already written to the device is available for reading from register 26 in the main registers space. The following table shows the expected readouts.

**Table 64 • Interrupt Status, Address 26 (0x1A)**

| Bit | Name                                  | Access | Description                              | Default |
|-----|---------------------------------------|--------|--|---------|
| 15  | Interrupt status                      | RO     | Self-clearing bit. 1: Interrupt pending. | 0       |
| 14  | Speed state change status             | RO     | Self-clearing bit. 1: Interrupt pending. | 0       |
| 13  | Link state change status              | RO     | Self-clearing bit. 1: Interrupt pending. | 0       |
| 12  | FDX state change status               | RO     | Self-clearing bit. 1: Interrupt pending. | 0       |
| 11  | Autonegotiation error status          | RO     | Self-clearing bit. 1: Interrupt pending. | 0       |
| 10  | Autonegotiation complete status       | RO     | Self-clearing bit. 1: Interrupt pending. | 0       |
| 9   | Inline powered device detect status   | RO     | Self-clearing bit. 1: Interrupt pending. | 0       |
| 8   | Symbol error status                   | RO     | Self-clearing bit. 1: Interrupt pending. | 0       |
| 7   | Fast link failure detect status       | RO     | Self-clearing bit. 1: Interrupt pending. | 0       |
| 6   | Reserved                              | RO     |  | 0       |
| 5   | Extended interrupt status             | RO     | Self-clearing bit. 1: Interrupt pending. | 0       |
| 4   | AMS media changed status <sup>1</sup> | RO     | Self-clearing bit. 1: Interrupt pending. | 0       |
| 3   | False carrier interrupt status        | RO     | Self-clearing bit. 1: Interrupt pending. | 0       |
| 2   | Link speed downshift detect status    | RO     | Self-clearing bit. 1: Interrupt pending. | 0       |
| 1   | Master/Slave resolution error status  | RO     | Self-clearing bit. 1: Interrupt pending. | 0       |
| 0   | RX_ER interrupt status                | RO     | Self-clearing bit. 1: Interrupt pending. | 0       |

1. If hardware interrupts are not used, the mask can still be set and the status polled for changes.

The following information applies to the interrupt status bits:

- All set bits in this register are cleared after being read (self-clearing). If bit 26.15 is set, the cause of the interrupt can be read by reading bits 26.14:0.
- For bits 26.14 and 26.12, bit 0.12 must be set for this interrupt to assert.
- For bit 26.2, bits 4.8:5 must be set for this interrupt to assert.
- For bit 26.0, this interrupt will not occur when RX\_ER is used for carrier-extension decoding of a link partner's data transmission.

## 4.2.25 Device Auxiliary Control and Status

Register 28 provides control and status information for several device functions not controlled or monitored by other device registers. The following table shows the settings available and the expected readouts.

**Table 65 • Auxiliary Control and Status, Address 28 (0x1C)**

| Bit | Name                     | Access | Description   | Default |
|-----|--------------------------|--------|---|---------|
| 15  | Autonegotiation complete | RO     | Duplicate of bit 1.5 when autonegotiation is enabled, otherwise this is the current link status | 0       |

**Table 65 • Auxiliary Control and Status, Address 28 (0x1C) (continued)**

| Bit             | Name                                     | Access | Description   | Default |
|-----------------|--|--------|---|---------|
| 14              | Autonegotiation disabled                 | RO     | Inverted duplicate of bit 0.12 or AMS-enabled with 100BASE-FX operating mode selected   | 0       |
| 13 <sup>1</sup> | HP Auto-MDIX crossover indication        | RO     | 1: HP Auto-MDIX crossover performed internally  | 0       |
| 12              | CD pair swap                             | RO     | 1: CD pairs are swapped   | 0       |
| 11              | A polarity inversion                     | RO     | 1: Polarity swap on pair A  | 0       |
| 10              | B polarity inversion                     | RO     | 1: Polarity swap on pair B  | 0       |
| 9               | C polarity inversion                     | RO     | 1: Polarity swap on pair C  | 0       |
| 8               | D polarity inversion                     | RO     | 1: Polarity swap on pair D  | 0       |
| 7               | ActiPHY link status time-out control [1] | R/W    | Sticky bit. Bits 7 and 2 are part of the ActiPHY Link Status time-out control. Bit 7 is the MSB.<br>00: 2.3 seconds<br>01: 3.3 seconds<br>10: 4.3 seconds<br>11: 5.3 seconds    | 0       |
| 6               | ActiPHY mode enable                      | R/W    | Sticky bit.<br>1: Enabled   | 0       |
| 5               | FDX status                               | RO     | 1: Full-duplex<br>0: Half-duplex  | 00      |
| 4:3             | Speed status                             | RO     | 00: Speed is 10BASE-T<br>01: Speed is 100BASE-TX or 100BASE-FX<br>10: Speed is 1000BASE-T or 1000BASE-X<br>11: Reserved   | 0       |
| 2               | ActiPHY link status time-out control [0] | R/W    | Sticky bit. Bits 7 and 2 are part of the ActiPHY Link Status time-out control.<br>Bit 7 is the MSB.<br>00: 2.3 seconds<br>01: 3.3 seconds<br>10: 4.3 seconds<br>11: 5.3 seconds | 1       |
| 1:0             | Media mode status                        | RO     | 00: No media selected<br>01: Copper media selected<br>10: SerDes (Fiber) media selected<br>11: Reserved   | 00      |

1. In 1000BT mode, if Force MDI crossover is performed while link is up, the 1000BT link must be re-negotiated in order for this bit to reflect the actual Auto-MDIX setting.

## 4.2.26 LED Mode Select

The device LED outputs are controlled using the bits in register 29 of the main register space. The following table shows the information needed to access the functionality of each of the outputs. For more

information about LED modes, see [Table 29](#), page 84. For information about enabling the extended LED mode bits in Register 19E1 bits 13 to 12, see [Table 30](#), page 85.

**Table 66 • LED Mode Select, Address 29 (0x1D)**

| Bit   | Name             | Access | Description                             | Default |
|-------|------------------|--------|---|---------|
| 15:12 | LED3 mode select | R/W    | Sticky bit. Select from LED modes 0–15. | 1000    |
| 11:8  | LED2 mode select | R/W    | Sticky bit. Select from LED modes 0–15. | 0000    |
| 7:4   | LED1 mode select | R/W    | Sticky bit. Select from LED modes 0–15. | 0010    |
| 3:0   | LED0 mode select | R/W    | Sticky bit. Select from LED modes 0–15. | 0001    |

## 4.2.27 LED Behavior

The bits in register 30 control and enable you to read the status of the pulse or blink rate of the device LEDs. The following table shows the settings you can write to the register or read from the register.

**Table 67 • LED Behavior, Address 30 (0x1E)**

| Bit   | Name                                 | Access | Description  | Default |
|-------|--------------------------------------|--------|--|---------|
| 15    | Copper and fiber LED combine disable | R/W    | Sticky bit<br>0: Combine enabled (Copper/Fiber on link/linkXXXX/activity LED)<br>1: Disable combination (link/linkXXXX/activity LED; indicates copper only)  | 0       |
| 14    | Activity output select               | R/W    | Sticky bit<br>1: Activity LED becomes TX_Activity and fiber activity LED becomes RX_Activity<br>0: Tx and Rx activity both displayed on activity LEDs  | 0       |
| 13    | Reserved                             | RO     | Reserved   |         |
| 12    | LED pulsing enable                   | R/W    | Sticky bit<br>0: Normal operation<br>1: LEDs pulse with a 5 kHz, programmable duty cycle when active   | 0       |
| 11:10 | LED blink/pulse-stretch rate         | R/W    | Sticky bit<br>00: 2.5 Hz blink rate/400 ms pulse-stretch<br>01: 5 Hz blink rate/200 ms pulse-stretch<br>10: 10 Hz blink rate/100 ms pulse-stretch<br>11: 20 Hz blink rate/50 ms pulse-stretch<br>The blink rate selection for PHY0 globally sets the rate used for all LED pins on all PHY ports | 01      |
| 9     | Reserved                             | RO     | Reserved   |         |
| 8     | LED3 pulse-stretch/blink select      | R/W    | Sticky bit<br>1: Pulse-stretch<br>0: Blink   | 0       |
| 7     | LED2 pulse-stretch/blink select      | R/W    | Sticky bit<br>1: Pulse-stretch<br>0: Blink   | 0       |
| 6     | LED1 pulse-stretch/blink select      | R/W    | Sticky bit<br>1: Pulse-stretch<br>0: Blink   | 0       |

**Table 67 • LED Behavior, Address 30 (0x1E) (continued)**

| Bit | Name                            | Access | Description   | Default |
|-----|---------------------------------|--------|---|---------|
| 5   | LED0 pulse-stretch/blink select | R/W    | Sticky bit<br>1: Pulse-stretch<br>0: Blink  | 0       |
| 4:2 | Reserved                        | RO     | Reserved  |         |
| 3   | LED3 combine feature disable    | R/W    | Sticky bit<br>0: Combine enabled (link/activity, duplex/collision)<br>1: Disable combination (link only, duplex only) | 0       |
| 2   | LED2 combine feature disable    | R/W    | Sticky bit<br>0: Combine enabled (link/activity, duplex/collision)<br>1: Disable combination (link only, duplex only) | 0       |
| 1   | LED1 combine feature disable    | R/W    | Sticky bit<br>0: Combine enabled (link/activity, duplex/collision)<br>1: Disable combination (link only, duplex only) | 0       |
| 0   | LED0 combine feature disable    | R/W    | Sticky bit<br>0: Combine enabled (link/activity, duplex/collision)<br>1: Disable combination (link only, duplex only) | 0       |

**Note:** Bits 30.11:10 are active only in port 0 and affect the behavior of LEDs for all the ports.

## 4.2.28 Extended Page Access

To provide functionality beyond the IEEE 802.3-specified registers and main device registers, the VSC8575-11 includes an extended set of registers that provide an additional 15 register spaces.

The register at address 31 controls the access to the extended registers for the VSC8575-11. Accessing the GPIO page register space is similar to accessing the extended page registers. The following table shows the settings available.

**Table 68 • Extended/GPIO Register Page Access, Address 31 (0x1F)**

| Bit  | Name                               | Access | Description  | Default |
|------|------------------------------------|--------|--|---------|
| 15:0 | Extended/GPIO page register access | R/W    | 0x0000: Register 16–30 accesses main register space. Writing 0x0000 to register 31 restores the main register access.<br>0x0001: Registers 16–30 access extended register space 1<br>0x0002: Registers 16–30 access extended register space 2<br>0x0003: Registers 16–30 access extended register space 3<br>0x0010: Registers 0–30 access GPIO register space | 0x0000  |

## 4.3 Extended Page 1 Registers

To access the extended page 1 registers (16E1–30E1), enable extended register access by writing 0x0001 to register 31. Writing 0x0000 to register 31 restores the main register access.

When extended page 1 register access is enabled, reads and writes to registers 16–30 affect the extended registers 16E1–30E1 instead of those same registers in the IEEE-specified register space. Registers 0–15 are not affected by the state of the extended page register access.

**Table 69 • Extended Registers Page 1 Space**

| Address   | Name   |
|-----------|--|
| 16E1      | SerDes Media Control                               |
| 17E1      | Reserved   |
| 18E1      | Cu Media CRC good counter                          |
| 19E1      | Extended mode and SIGDET control                   |
| 20E1      | Extended PHY control 3 (ActiPHY)                   |
| 21E1–22E1 | Reserved   |
| 23E1      | Extended PHY control 4 (PoE and CRC error counter) |
| 24E1      | Reserved   |
| 25E1      | Reserved   |
| 26E1      | Reserved   |
| 27E1–28E1 | Reserved   |
| 29E1      | Ethernet packet generator (EPG) 1                  |
| 30E1      | EPG 2  |

### 4.3.1 SerDes Media Control

Register 16E1 controls some functions of the SerDes media interface on ports 0–3. These settings are only valid for those ports. The following table shows the setting available in this register.

**Table 70 • SerDes Media Control, Address 16E1 (0x10)**

| Bit   | Name                                 | Access | Description  | Default |
|-------|--------------------------------------|--------|--|---------|
| 15:14 | Transmit remote fault                | R/W    | Remote fault indication sent to link partner (LP)  | 00      |
| 13:12 | Link partner (LP) remote fault       | RO     | Remote fault bits sent by LP during autonegotiation  | 00      |
| 11:10 | Reserved                             | RO     | Reserved   |         |
| 9     | Allow 1000BASE-X link-up             | R/W    | Sticky bit.<br>1: Allow 1000BASE-X fiber media link-up capability<br>0: Suppress 1000BASE-X fiber media link-up capability | 1       |
| 8     | Allow 100BASE-FX link-up             | R/W    | Sticky bit.<br>1: Allow 100BASE-FX fiber media link-up capability<br>0: Suppress 100BASE-FX fiber media link-up capability | 1       |
| 7     | Reserved                             | RO     | Reserved   |         |
| 6     | Far end fault detected in 100BASE-FX | RO     | Self-clearing bit.<br>1: Far end fault in 100BASE-FX detected  | 0       |
| 5:0   | Reserved                             | RO     | Reserved   |         |

### 4.3.2 Cu Media CRC Good Counter

Register 18E1 makes it possible to read the contents of the CRC good counter for packets that are received on the Cu media interface; the number of CRC routines that have executed successfully. The following table shows the expected readouts.

**Table 71 • Cu Media CRC Good Counter, Address 18E1 (0x12)**

| Bit  | Name                               | Access | Description  | Default |
|------|------------------------------------|--------|--|---------|
| 15   | Packet since last read             | RO     | Self-clearing bit.<br>1: Packet received since last read.  | 0       |
| 14   | Reserved                           | RO     | Reserved.  |         |
| 13:0 | Cu Media CRC good counter contents | RO     | Self-clearing bit. Counter containing the number of packets with valid CRCs modulo 10,000; this counter does not saturate and will roll over to zero on the next good packet received after 9,999. | 0x000   |

### 4.3.3 Extended Mode Control

Register 19E1 controls the extended LED and other chip modes. The following table shows the settings available.

**Table 72 • Extended Mode Control, Address 19E1 (0x13)**

| Bit  | Name                               | Access | Description  | Default |
|------|------------------------------------|--------|--|---------|
| 15   | LED3 Extended Mode                 | R/W    | 1: See <a href="#">Extended LED Modes</a> , page 85  | 0       |
| 14   | LED2 Extended Mode                 | R/W    | 1: See <a href="#">Extended LED Modes</a> , page 85  | 0       |
| 13   | LED1 Extended Mode                 | R/W    | 1: See <a href="#">Extended LED Modes</a> , page 85  | 0       |
| 12   | LED0 Extended Mode                 | R/W    | 1: See <a href="#">Extended LED Modes</a> , page 85  | 0       |
| 11   | LED Reset Blink Suppress           | R/W    | 1: Blink LEDs after COMA_MODE is de-asserted<br>0: Suppress LED blink after COMA_MODE is de-asserted                                 | 0       |
| 10:5 | Reserved                           | RO     | Reserved   | 0       |
| 4    | Fast link failure                  | R/W    | Enable fast link failure pin. This must be done from PHY0 only.<br>1: Enabled<br>0: Disabled (GPIO9 pin becomes general purpose I/O) | 0       |
| 3:2  | Force MDI crossover                | R/W    | 00: Normal HP Auto-MDIX operation<br>01: Reserved<br>10: Copper media forced to MDI<br>11: Copper media forced MDI-X                 | 00      |
| 1    | Reserved                           | RO     | Reserved   |         |
| 0    | GPIO[3:0]/SIGDET[3:0] pin polarity | R/W    | SIGDET pin polarity<br>1: Active low<br>0: Active high   | 0       |

### 4.3.4 ActiPHY Control

Register 20E1 controls the device ActiPHY sleep timer, its wake-up timer, and its link speed downshifting feature. The following table shows the settings available.

**Table 73 • Extended PHY Control 3, Address 20E1 (0x14)**

| Bit   | Name                                    | Access | Description   | Default |
|-------|---|--------|---|---------|
| 15    | Disable carrier extension               | R/W    | 1: Disable carrier extension in 1000BASE-T copper links   | 1       |
| 14:13 | ActiPHY sleep timer                     | R/W    | Sticky bit.<br>00: 1 second<br>01: 2 seconds<br>10: 3 seconds<br>11: 4 seconds  | 01      |
| 12:11 | ActiPHY wake-up timer                   | R/W    | Sticky bit.<br>00: 160 ms<br>01: 400 ms<br>10: 800 ms<br>11: 2 seconds  | 00      |
| 10    | Slow MDC                                | R/W    | 1: Indicates that MDC runs at less than 10 MHz (use of this bit is optional and indicated when MDC runs at less than 1 MHz)   | 0       |
| 9     | PHY address reversal                    | R/W    | Reverse PHY address<br>Enabling causes physical PHY 0 to have address of 3, PHY 1 address of 2, PHY 2 address of 1, and PHY 3 address of 0. Changing this bit to 1 should initially be done from PHY 0 and changing to 0 from PHY3<br>1: Enabled<br>0: Disabled<br>Valid only on PHY0 | 0       |
| 8     | Reserved                                | RO     | Reserved  |         |
| 7:6   | Media mode status                       | RO     | 00: No media selected<br>01: Copper media selected<br>10: SerDes media selected<br>11: Reserved   | 00      |
| 5     | Enable 10BASE-T no preamble mode        | R/W    | Sticky bit.<br>1: 10BASE-T will assert RX_DV indication when data is presented to the receiver even without a preamble preceding it   | 0       |
| 4     | Enable link speed autodownshift feature | R/W    | Sticky bit.<br>1: Enable auto link speed downshift from 1000BASE-T  | 0       |

**Table 73 • Extended PHY Control 3, Address 20E1 (0x14) (continued)**

| Bit | Name                              | Access | Description   | Default |
|-----|-----------------------------------|--------|---|---------|
| 3:2 | Link speed auto downshift control | R/W    | Sticky bit.<br>00: Downshift after 2 failed 1000BASE-T autonegotiation attempts<br>01: Downshift after 3 failed 1000BASE-T autonegotiation attempts<br>10: Downshift after 4 failed 1000BASE-T autonegotiation attempts<br>11: Downshift after 5 failed 1000BASE-T autonegotiation attempts | 01      |
| 1   | Link speed auto downshift status  | RO     | 0: No downshift<br>1: Downshift is required or has occurred   | 0       |
| 0   | Reserved                          | RO     | Reserved  |         |

### 4.3.5 PoE and Miscellaneous Functionality

The register at address 23E1 controls various aspects of inline powering and the CRC error counter in the VSC8575-11.

**Table 74 • Extended PHY Control 4, Address 23E1 (0x17)**

| Bit   | Name                                   | Access | Description   | Default |
|-------|--|--------|---|---------|
| 15:11 | PHY address                            | RO     | Internal PHY address.<br>00000: PHY 0<br>00001: PHY 1<br>00010: PHY 2<br>00011: PHY 3<br>others: Reserved   |         |
| 10    | Inline powered device detection        | R/W    | Sticky bit.<br>1: Enabled   | 0       |
| 9:8   | Inline powered device detection status | RO     | Only valid when bit 10 is set.<br>00: Searching for devices<br>01: Device found; requires inline power<br>10: Device found; does not require inline power<br>11: Reserved | 00      |
| 7:0   | Cu Media CRC error counter             | RO     | Self-clearing bit   |         |

CRC error counter for packets received on the Cu media interface. The value saturates at 0xFF and subsequently clears when read and restarts count.0x00.

### 4.3.6 Ethernet Packet Generator Control 1

The EPG control register provides access to and control of various aspects of the EPG testing feature. There are two separate EPG control registers. The following table shows the settings available in the first register.

**Table 75 • EPG Control Register 1, Address 29E1 (0x1D)**

| Bit | Name            | Access | Description   | Default |
|-----|-----------------|--------|---------------|---------|
| 15  | EPG enable      | R/W    | 1: Enable EPG | 0       |
| 14  | EPG run or stop | R/W    | 1: Run EPG    | 0       |



**Table 75 • EPG Control Register 1, Address 29E1 (0x1D) (continued)**

| Bit   | Name                                      | Access | Description  | Default |
|-------|---|--------|--|---------|
| 13    | Transmission duration                     | R/W    | 1: Continuous (sends in 10,000-packet increments)<br>0: Send 30,000,000 packets and stop | 0       |
| 12:11 | Packet length                             | R/W    | 00: 125 bytes<br>01: 64 bytes<br>10: 1518 bytes<br>11: 10,000 bytes (jumbo packet)       | 0       |
| 10    | Interpacket gap                           | R/W    | Bit times<br>1: 8,192<br>0: 96   | 0       |
| 9:6   | Destination address                       | R/W    | Lowest nibble of the 6-byte destination address  | 0001    |
| 5:2   | Source address                            | R/W    | Lowest nibble of the 6-byte source address   | 0000    |
| 1     | Payload type                              | R/W    | 1: Randomly generated payload pattern<br>0: Fixed based on payload pattern               | 0       |
| 0     | Bad frame check sequence (FCS) generation | R/W    | 1: Generate packets with bad FCS<br>0: Generate packets with good FCS                    | 0       |

The following information applies to the EPG control number 1:

- Do not run the EPG when the VSC8575-11 is connected to a live network.
- bit 29E1.13 (continuous EPG mode control): When enabled, this mode causes the device to send continuous packets. When disabled, the device continues to send packets only until it reaches the next 10,000-packet increment mark. It then ceases to send packets.
- The 6-byte destination address in bits 9:6 is assigned one of 16 addresses in the range of 0xFF FF FF FF F0 through 0xFF FF FF FF FF.
- The 6-byte source address in bits 5:2 is assigned one of 16 addresses in the range of 0xFF FF FF FF F0 through 0xFF FF FF FF FF.
- If any of bits 13:0 are changed while the EPG is running (bit 14 is set to 1), bit 14 must be cleared and then set back to 1 for the change to take effect and to restart the EPG.

### 4.3.7 Ethernet Packet Generator Control 2

Register 30E1 consists of the second set of bits that provide access to and control over the various aspects of the EPG testing feature. The following table shows the settings available.

**Table 76 • EPG Control Register 2, Address 30E1 (0x1E)**

| Bit  | Name               | Access | Description  | Default |
|------|--------------------|--------|--|---------|
| 15:0 | EPG packet payload | R/W    | Data pattern repeated in the payload of packets generated by the EPG | 0x00    |

**Note:** If any of bits 15:0 in this register are changed while the EPG is running (bit 14 of register 29E1 is set to 1), that bit (29E1.14) must first be cleared and then set back to 1 for the change to take effect and to restart the EPG.

## 4.4 Extended Page 2 Registers

To access the extended page 2 registers (16E2–30E2), enable extended register access by writing 0x0002 to register 31. For more information, see [Table 68](#), page 118.

When extended page 2 register access is enabled, reads and writes to registers 16–30 affect the extended registers 16E2–30E2 instead of those same registers in the IEEE-specified register space. Registers 0–15 are not affected by the state of the extended page register access.

Writing 0x0000 to register 31 restores the main register access.

The following table lists the addresses and register names in the extended register page 2 space. These registers are accessible only when the device register 31 is set to 0x0002.

**Table 77 • Extended Registers Page 2 Space**

| Address   | Name                      |
|-----------|---------------------------|
| 16E2      | Cu PMD Transmit Control   |
| 17E2      | EEE Control               |
| 18E2      | Extended Chip ID          |
| 19E2      | Entropy data              |
| 20E2-27E2 | Reserved                  |
| 28E2      | Extended Interrupt Mask   |
| 29E2      | Extended Interrupt Status |
| 30E2      | Ring Resiliency Control   |

#### 4.4.1 Cu PMD Transmit Control

The register at address 16E2 consists of the bits that provide control over the amplitude settings for the transmit side Cu PMD interface. These bits provide the ability to make small adjustments in the signal amplitude to compensate for minor variations in the magnetics from different vendors. Extreme caution must be exercised when changing these settings from the default values as they have a direct impact on the signal quality. Changing these settings also affects the linearity and harmonic distortion of the transmitted signals. For help with changing these values, contact your Microsemi representative.

**Table 78 • Cu PMD Transmit Control, Address 16E2 (0x10)**

| Bit   | Name  | Access | Description                 | Default |
|-------|---|--------|-----------------------------|---------|
| 15:12 | 1000BASE-T signal amplitude trim <sup>1</sup> | R/W    | 1000BASE-T signal amplitude | 0000    |
|       |   |        | 1111: -1.7%                 |         |
|       |   |        | 1110: -2.6%                 |         |
|       |   |        | 1101: -3.5%                 |         |
|       |   |        | 1100: -4.4%                 |         |
|       |   |        | 1011: -5.3%                 |         |
|       |   |        | 1010: -7%                   |         |
|       |   |        | 1001: -8.8%                 |         |
|       |   |        | 1000: -10.6%                |         |
|       |   |        | 0111: 5.5%                  |         |
|       |   |        | 0110: 4.6%                  |         |
|       |   |        | 0101: 3.7%                  |         |
|       |   |        | 0100: 2.8%                  |         |
|       |   |        | 0011: 1.9%                  |         |
|       |   |        | 0010: 1%                    |         |
|       |   |        | 0001: 0.1%                  |         |
|       |   |        | 0000: -0.8%                 |         |

**Table 78 • Cu PMD Transmit Control, Address 16E2 (0x10) (continued)**

| Bit  | Name  | Access | Description  | Default |
|------|---|--------|--|---------|
| 11:8 | 100BASE-TX signal amplitude trim <sup>2</sup> | R/W    | 100BASE-TX signal amplitude<br>1111: -1.7%<br>1110: -2.6%<br>1101: -3.5%<br>1100: -4.4%<br>1011: -5.3%<br>1010: -7%<br>1001: -8.8%<br>1000: -10.6%<br>0111 5.5%<br>0110: 4.6%<br>0101: 3.7%<br>0100: 2.8%<br>0011: 1.9%<br>0010: 1%<br>0001: 0.1%<br>0000: -0.8%                                 | 0010    |
| 7:4  | 10BASE-T signal amplitude trim <sup>3</sup>   | R/W    | 10BASE-T signal amplitude<br>1111: -7%<br>1110: -7.9%<br>1101: -8.8%<br>1100: -9.7%<br>1011: -10.6%<br>1010: -11.5%<br>1001: -12.4%<br>1000: -13.3%<br>0111: 0%<br>0110: -0.7%<br>0101: -1.6%<br>0100: -2.5%<br>0011: -3.4%<br>0010: -4.3%<br>0001: -5.2%<br>0000: -6.1%                         | 1011    |
| 3:0  | 10BASE-Te signal amplitude trim               | R/W    | 10BASE-Te signal amplitude<br>1111: -30.45%<br>1110: -31.1%<br>1101: -31.75%<br>1100: -32.4%<br>1011: -33.05%<br>1010: -33.7%<br>1001: -34.35%<br>1000: -35%<br>0111: -25.25%<br>0110: -25.9%<br>0101: -26.55%<br>0100: -27.2%<br>0011: -27.85%<br>0010: -28.5%<br>0001: -29.15%<br>0000: -29.8% | 1110    |

- Changes to 1000BASE-T amplitude may result in unpredictable side effects.
- Adjust 100BASE-TX to specific magnetics.
- Amplitude is limited by  $V_{CC}$  (2.5 V).

## 4.4.2 EEE Control

The register at address 17E2 consists of the bits that provide additional control over the chip behavior in energy efficient Ethernet (IEEE 802.3az-2010) mode for debug.

**Table 79 • EEE Control, Address 17E2 (0x11)**

| Bit   | Name                                    | Access | Description   | Default |
|-------|---|--------|---|---------|
| 15    | Enable 10BASE-Te                        | R/W    | Sticky bit.<br>Enable energy efficient (IEEE 802.3az-2010) 10BASE-Te operating mode.  | 0       |
| 14    | Enable LED in fiber unidirectional mode | R/W    | Sticky bit.<br>1: Enable LED functions in fiber unidirectional mode.  | 0       |
| 13:10 | Invert LED polarity                     | R/W    | Sticky bits.<br>Invert polarity of LED[3:0]_[3:0] signals. Default is to drive an active low signal on the LED pins. This also applies to enhanced serial LED mode. For more information, see <a href="#">Enhanced Serial LED Mode</a> , page 87. | 0000    |
| 9     | Reserved                                | RO     | Reserved.   |         |
| 8     | Link status                             | RO     | 1: Link is up.  | 0       |
| 7     | 1000BASE-T EEE enable                   | RO     | 1: EEE is enabled for 1000BASE-T.   | 0       |
| 6     | 100BASE-TX EEE enable                   | RO     | 1: EEE is enabled for 100BASE-TX.   | 0       |
| 5     | Enable 1000BASE-T force mode            | R/W    | Sticky bit.<br>1: Enable 1000BASE-T force mode to allow PHY to link-up in 1000BASE-T mode without forcing master/slave when register 0, bits 6 and 13 are set to 2'b10.   | 0       |
| 4     | Force transmit LPI <sup>1</sup>         | R/W    | Sticky bit.<br>1: Enable the EPG to transmit LPI on the MDI, ignore data from the MAC interface.<br>0: Transmit idles being received from the MAC.  | 0       |
| 3     | Inhibit 100BASE-TX transmit EEE LPI     | R/W    | Sticky bit.<br>1: Disable transmission of EEE LPI on transmit path MDI in 100BASE-TX mode when receiving LPI from MAC.  | 0       |
| 2     | Inhibit 100BASE-TX receive EEE LPI      | R/W    | Sticky bit.<br>1: Disable transmission of EEE LPI on receive path MAC interface in 100BASE-TX mode when receiving LPI from the MDI.   | 0       |
| 1     | Inhibit 1000BASE-T transmit EEE LPI     | R/W    | Sticky bit.<br>1: Disable transmission of EEE LPI on transmit path MDI in 1000BASE-T mode when receiving LPI from MAC.  | 0       |
| 0     | Inhibit 1000BASE-T receive EEE LPI      | R/W    | Sticky bit.<br>1: Disable transmission of EEE LPI on receive path MAC interface in 1000BASE-T mode when receiving LPI from the MDI.   | 0       |

1. Register 17E2 bits 4:0 are for debugging purposes only, not for operational use.

### 4.4.3 Extended Chip ID, Address 18E2 (0x12)

The following table shows the register settings for the extended chip ID at address 18E2.

**Table 80 • Extended Chip ID, Address 18E2 (0x12)**

| Bit   | Name                           | Access | Description  | Default |
|-------|--------------------------------|--------|--|---------|
| 15    | Industrial temperature capable | RO     | 1: Industrial temperature capable<br>0: Commercial temperature capable | 1       |
| 14    | Quad/dual device               | RO     | 1: Quad device<br>0: Dual device                                       | 1       |
| 13    | 1588 capable                   | RO     | 1: 1588 operation capable<br>0: Not 1588 operation capable             | 1       |
| 12:11 | Reserved                       | RO     | Reserved   | 0       |
| 10    | Dual media device              | RO     | 1: Dual media capable<br>0: Not dual media capable                     | 1       |
| 9     | 1588 high-precision capable    | RO     | 1: 1588 high-precision capable<br>0: 1588 low-precision capable only   | 1       |
| 8     | Reserved                       | RO     | Reserved   | 0       |
| 7:0   | Extended chip ID               | RO     | Dash number of VSC8575-11 in BCD                                       | 0x11    |
| 7:0   | Extended chip ID               | RO     | Dash number of VSC8575-14 in BCD                                       | 0x14    |

### 4.4.4 Entropy Data, Address 19E2 (0x13)

The following table shows the register settings for the entropy data at address 19E2.

**Table 81 • Entropy Data, Address 19E2 (0x13)**

| Bit  | Name         | Access | Description                                      | Default |
|------|--------------|--------|--|---------|
| 15:0 | Entropy data | RO     | Random data that can be added to an entropy pool |         |

### 4.4.5 Extended Interrupt Mask, Address 28E2 (0x1C)

The following table shows the register settings for the extended interrupt mask at address 28E2.

**Table 82 • Extended Interrupt Mask, Address 28E2 (0x1C)**

| Bit   | Name                                      | Access | Description             | Default |
|-------|---|--------|-------------------------|---------|
| 15:11 | Reserved                                  | R/W    | Reserved.               | 00000   |
| 10    | Mem integrity ring control interrupt mask | R/W    | Sticky bit. 1: Enabled. | 0       |
| 9:5   | Reserved                                  | R/W    | Reserved.               | 0       |
| 4     | RR switchover complete interrupt mask     | R/W    | Sticky bit. 1: Enabled. | 0       |
| 3     | EEE link fail interrupt mask              | R/W    | Sticky bit. 1: Enabled. | 0       |
| 2     | EEE Rx TQ timer interrupt mask            | R/W    | Sticky bit. 1: Enabled. | 0       |
| 1     | EEE wait quiet/Rx TS timer interrupt mask | R/W    | Sticky bit. 1: Enabled. | 0       |
| 0     | EEE wake error interrupt mask             | R/W    | Sticky bit. 1: Enabled. | 0       |

#### 4.4.6 Extended Interrupt Status, Address 29E2 (0x1D)

The following table shows the register settings for the extended interrupt status at address 29E2.

**Table 83 • Extended Interrupt Status, Address 29E2 (0x1D)**

| Bit   | Name  | Access | Description                                 | Default |
|-------|---|--------|---|---------|
| 15:11 | Reserved                                    | RO     | Reserved.                                   | 00000   |
| 10    | Mem integrity ring control interrupt status | RO     | Self-clearing bit.<br>1: Interrupt pending. | 0       |
| 9:5   | Reserved                                    | R/W    | Reserved.                                   | 0       |
| 4     | RR switchover complete interrupt status     | RO     | Self-clearing bit.<br>1: Interrupt pending. | 0       |
| 3     | EEE link fail interrupt status              | RO     | Self-clearing bit.<br>1: Interrupt pending. | 0       |
| 2     | EEE Rx TQ timer interrupt status            | RO     | Self-clearing bit.<br>1: Interrupt pending. | 0       |
| 1     | EEE wait quiet/Rx TS timer interrupt status | RO     | Self-clearing bit.<br>1: Interrupt pending. | 0       |
| 0     | EEE wake error interrupt status             | RO     | Self-clearing bit.<br>1: Interrupt pending. | 0       |

#### 4.4.7 Ring Resiliency Control (0x1E)

The following table shows the register settings for the ring resiliency controls at address 30E2.

**Table 84 • Ring Resiliency, Address 30E2 (0x1E)**

| Bit  | Name  | Access | Description   | Default |
|------|---|--------|---|---------|
| 15   | Ring resiliency startup enable (master TR enable) | R/W    | Sticky  | 0       |
| 14   | Advertise ring resiliency                         | R/W    | Sticky  | 0       |
| 13   | LP ring resiliency advertisement                  | RO     |   | 0       |
| 12   | Force ring resiliency enable (override autoneg)   | R/W    | Sticky  | 0       |
| 11:6 | Reserved  | RO     | Reserved  | 000000  |
| 5:4  | Ring resiliency status                            | RO     | Ring resiliency status<br>00: Timing slave <sup>1</sup><br>10: Timing slave becoming master<br>11: Timing master <sup>1</sup><br>01: Timing master becoming slave | 00      |
| 3:1  | Reserved  | RO     | Reserved  | 000     |
| 0    | Start switchover (only when not in progress)      | RWSC   |   | 0       |

1. Reflects autoneg master/slave at initial link-up.

## 4.5 Extended Page 3 Registers

To access the extended page 3 registers (16E3–30E3), enable extended register access by writing 0x0003 to register 31. For more information, see [Table 68](#), page 118.

When extended page 3 register access is enabled, reads and writes to registers 16–30 affect the extended registers 16E3–30E3 instead of those same registers in the IEEE-specified register space. Registers 0–15 are not affected by the state of the extended page register access.

Writing 0x0000 to register 31 restores the main register access.

The following table lists the addresses and register names in the extended register page 3 space. These registers are accessible only when the device register 31 is set to 0x0003.

**Table 85 • Extended Registers Page 3 Space**

| Address | Name  |
|---------|---|
| 16E3    | MAC SerDes PCS Control                        |
| 17E3    | MAC SerDes PCS Status                         |
| 18E3    | MAC SerDes Clause 37 Advertised Ability       |
| 19E3    | MAC SerDes Clause 37 Link Partner Ability     |
| 20E3    | MAC SerDes Status                             |
| 21E3    | Media/MAC SerDes Transmit Good Packet Counter |
| 22E3    | Media/MAC SerDes Transmit CRC Error Counter   |
| 23E3    | Media SerDes PCS Control                      |
| 24E3    | Media SerDes PCS Status                       |
| 25E3    | Media SerDes Clause 37 Advertised Ability     |
| 26E3    | Media SerDes Clause 37 Link Partner Ability   |
| 27E3    | Media/MAC SerDes Receive SerDes status        |
| 28E3    | Media/MAC SerDes Receive CRC Good Counter     |
| 29E3    | Media CRC Error Counter                       |
| 30E3    | Reserved                                      |

### 4.5.1 MAC SerDes PCS Control

The register at address 16E3 consists of the bits that provide access to and control over MAC SerDes PCS block. The following table shows the settings available.

**Table 86 • MAC SerDes PCS Control, Address 16E3 (0x10)**

| Bit | Name                    | Access | Description  | Default |
|-----|-------------------------|--------|--|---------|
| 15  | MAC interface disable   | R/W    | Sticky bit.<br>1: 1000BASE-X MAC interface disable when media link down. | 0       |
| 14  | MAC interface restart   | R/W    | Sticky bit.<br>1: 1000BASE-X MAC interface restart on media link change. | 0       |
| 13  | MAC interface PD enable | R/W    | Sticky bit.<br>1: MAC interface autonegotiation parallel detect enable.  | 0       |

**Table 86 • MAC SerDes PCS Control, Address 16E3 (0x10) (continued)**

| Bit  | Name                                  | Access | Description   | Default |
|------|---------------------------------------|--------|---|---------|
| 12   | MAC interface autonegotiation restart | R/W    | Self-clearing bit.<br>1: Restart MAC interface autonegotiation.   | 0       |
| 11   | Force advertised ability              | R/W    | 1: Force 16-bit advertised ability from register 18E3.  | 0       |
| 10:9 | SGMII input preamble for 100BASE-FX   | R/W    | This is a sticky bit.<br>00: No SGMII preamble required.<br>01: One-Byte SGMII preamble required.<br>10: Two-Byte SGMII preamble required.<br>11: Reserved.   | 00      |
| 8    | SGMII output preamble                 | R/W    | This is a sticky bit.<br>0: No SGMII preamble.<br>1: Two-Byte SGMII preamble.   | 1       |
| 7    | MAC SerDes autonegotiation enable     | R/W    | This is a sticky bit.<br>1: MAC SerDes ANEG enable.   | 0       |
| 6    | SerDes polarity at input of MAC       | R/W    | This is a sticky bit.<br>1: Invert polarity of signal received at input of MAC.   | 0       |
| 5    | SerDes polarity at output of MAC      | R/W    | 1: Invert polarity of signal at output of MAC.  | 0       |
| 4    | Fast link status enable               | R/W    | 1: Use fast link fail indication as link status indication to MAC SerDes.<br>0: Use normal link status indication to MAC SerDes.  | 0       |
| 3    | Reserved                              | R/W    | Reserved.   | 0       |
| 2    | Inhibit MAC odd-start delay           | R/W    | This is a sticky bit.<br>1: Inhibits delay of 1 byte when receive packet begins on an odd-byte boundary (causes the first 0x55 byte of preamble to be removed on odd-byte alignment)<br>0: Allows delay on odd-byte aligned packets preserving all preamble bytes but introducing a delay variation between naturally even-byte aligned and odd-byte aligned packets. | 1       |
| 1:0  | Reserved                              | RO     | Reserved.   | 0       |

## 4.5.2 MAC SerDes PCS Status

The register at address 17E3 consists of the bits that provide status from the MAC SerDes PCS block. The following table shows the settings available.

**Table 87 • MAC SerDes PCS Status, Address 17E3 (0x11)**

| Bit | Name                   | Access | Description   |
|-----|------------------------|--------|---|
| 15  | MAC sync status failed | RO     | 1: Sync status on MAC SerDes has failed since last read                 |
| 14  | MAC cgbad received     | RO     | 1: an invalid code-group was received on the MAC SerDes since last read |
| 13  | Reserved               | RO     | Reserved  |
| 12  | SGMII alignment error  | RO     | 1: SGMII alignment error occurred                                       |



**Table 87 • MAC SerDes PCS Status, Address 17E3 (0x11) (continued)**

| Bit | Name                                     | Access | Description   |
|-----|--|--------|---|
| 11  | MAC interface LP autonegotiation restart | RO     | 1: MAC interface link partner autonegotiation restart request occurred                  |
| 10  | Reserved                                 | RO     | Reserved  |
| 9:8 | MAC remote fault                         | RO     | 01, 10, and 11: Remote fault detected from MAC<br>00: No remote fault detected from MAC |
| 7   | Asymmetric pause advertisement           | RO     | 1: Asymmetric pause advertised by MAC   |
| 6   | Symmetric pause advertisement            | RO     | 1: Symmetric pause advertised by MAC  |
| 5   | Full duplex advertisement                | RO     | 1: Full duplex advertised by MAC  |
| 4   | Half duplex advertisement                | RO     | 1: Half duplex advertised by MAC  |
| 3   | MAC interface LP autonegotiation capable | RO     | 1: MAC interface link partner autonegotiation capable                                   |
| 2   | MAC interface link status                | RO     | 1: MAC interface link status connected  |
| 1   | MAC interface autonegotiation complete   | RO     | 1: MAC interface autonegotiation complete   |
| 0   | MAC interface PCS signal detect          | RO     | 1: MAC interface PCS signal detect present  |

### 4.5.3 MAC SerDes Clause 37 Advertised Ability

The register at address 18E3 consists of the bits that provide access to and control over MAC SerDes Clause 37 advertised ability. The following table shows the settings available.

**Table 88 • MAC SerDes Cl37 Advertised Ability, Address 18E3 (0x12)**

| Bit  | Name                          | Access | Description  | Default |
|------|-------------------------------|--------|--|---------|
| 15:0 | MAC SerDes advertised ability | R/W    | Current configuration code word being advertised (this register is read/write if 16E3.11 = 1) <sup>1</sup> | 0x0000  |

1. The read value for this register is N/A for protocol transfer mode when 16E3.11 is not set.

### 4.5.4 MAC SerDes Clause 37 Link Partner Ability

The register at address 19E3 consists of the bits that provide status of the MAC SerDes link partner's Clause 37 advertised ability. The following table shows the settings available.

**Table 89 • MAC SerDes Cl37 LP Ability, Address 19E3 (0x13)**

| Bit  | Name                  | Access | Description   |
|------|-----------------------|--------|---|
| 15:0 | MAC SerDes LP ability | RO     | Last configuration code word received from link partner |

## 4.5.5 MAC SerDes Status

The register at address 20E3 consists of the bits that provide access to MAC SerDes status. The following table shows the settings available.

**Table 90 • MAC SerDes Status, Address 20E3 (0x14)**

| Bit  | Name                 | Access | Description   |
|------|----------------------|--------|---|
| 15   | Comma realigned      | RO     | Self-clearing bit. Sticky bit.<br>1: MAC SerDes receiver comma was realigned.                               |
| 14   | SerDes signal detect | RO     | Self-clearing bit. Sticky bit.<br>1: SerDes signal detection occurred.                                      |
| 13   | QSGMII sync status   | RO     | Only applies on PHY0  |
| 12   | MAC comma detect     | RO     | Self-clearing bit. Sticky bit.<br>1: Comma detected, cleared when comma not detected, reset to 1 upon read. |
| 11:8 | MAC comma position   | RO     | MAC comma-alignment position from 0 to 9. These bits are N/A for QSGMII.                                    |
| 7:0  | Reserved             | RO     | Reserved.   |

## 4.5.6 Media/MAC SerDes Transmit Good Packet Counter

The register at address 21E3 consists of the bits that provide status of the media and MAC SerDes transmit good packet counter. The following table shows the settings available.

**Table 91 • Media/MAC SerDes Tx Good Packet Counter, Address 21E3 (0x15)**

| Bit  | Name                          | Access | Description                             |
|------|-------------------------------|--------|---|
| 15   | Tx good packet counter active | RO     | 1: Transmit good packet counter active  |
| 14   | Reserved                      | RO     | Reserved                                |
| 13:0 | Tx good packet count          | RO     | Transmit good packet count modulo 10000 |

## 4.5.7 Media/MAC SerDes Transmit CRC Error Counter

The register at address 22E3 consists of the bits that provide status of the media and MAC SerDes transmit packet count that had a CRC error. The following table shows the settings available.

**Table 92 • Media/MAC SerDes Tx CRC Error Counter, Address 22E3 (0x16)**

| Bit   | Name                | Access | Description   | Default |
|-------|---------------------|--------|---|---------|
| 15:14 | Tx counter select   | R/W    | Selects between fiber media and MAC SerDes transmit counters <sup>1</sup><br>00: Selects fiber media SerDes transmit counters<br>01: Selects MAC SerDes transmit counters<br>others: Reserved | 0       |
| 13    | Tx preamble fix     | R/W    | Removes extraneous byte of preamble for egress frames. Only removes one byte if there are more than eight bytes present in the preamble.  | 0       |
| 12:8  | Reserved            | RO     | Reserved  | 0       |
| 7:0   | Tx CRC packet count | RO     | Transmit CRC packet count (saturates at 255)  | 0       |

1. The counters are only operational when the media link state is up, irrespective of selecting media SerDes or MAC SerDes.

## 4.5.8 Media SerDes PCS Control

The register at address 23E3 consists of the bits that provide access to and control over Media SerDes PCS control. The following table shows the settings available.

**Table 93 • Media SerDes PCS Control, Address 23E3 (0x17)**

| Bit   | Name  | Access | Description   | Default |
|-------|---|--------|---|---------|
| 15:14 | Remote fault to media   | RO     | Remote fault indication sent to media in most recent clause 37 auto-negotiation exchange.   |         |
| 13    | Media interface autonegotiation parallel-detection <sup>1</sup> | R/W    | Sticky bit.<br>1: SerDes media autonegotiation parallel detect enabled.   | 0       |
| 12    | Disable carrier extension                                       | R/W    | Disable carrier extension in 1000BASE-X fiber links.  | 1       |
| 11    | Force advertised ability  | R/W    | 1: Force 16-bit advertised ability from register 25E3.15:0.   | 0       |
| 10:7  | Reserved  | RO     | Reserved.   |         |
| 6     | Polarity reversal input   | R/W    | This is a sticky bit.<br>Media SerDes polarity reversal input.<br>0: No polarity reversal (default).<br>1: Polarity reversed.   | 0       |
| 5     | Polarity reversal output  | R/W    | This is a sticky bit.<br>Media SerDes polarity reversal output.<br>0: No polarity reversal (default).<br>1: Polarity reversed.  | 0       |
| 4     | Inhibit odd-start delay   | R/W    | This is a sticky bit.<br>1: Inhibits delay of one byte when transmit packet begins on an odd-byte boundary (causes the first 0x55 byte of preamble to be removed on odd-byte alignment).<br>0: Allows delay on odd-byte aligned packets preserving all preamble bytes but introducing a delay variation between naturally even-byte aligned and odd-byte aligned packets. | 1       |
| 3     | Reserved  | RO     | Reserved.   |         |
| 2     | 100BASE-FX force HLS  | R/W    | 1: Forces 100BASE-FX to transmit Halt Line State (HLS) continuously.<br>0: Normal 100BASE-FX transmit operation.  | 0       |
| 1     | 100BASE-FX force FEFI   | R/W    | 1: Forces 100BASE-FX Far-End Fault Indication (FEFI) as specified by bit 0.<br>0: Normal automatic operation of FEFI in 100BASE-FX.   | 0       |

**Table 93 • Media SerDes PCS Control, Address 23E3 (0x17) (continued)**

| Bit | Name                        | Access | Description   | Default |
|-----|-----------------------------|--------|---|---------|
| 0   | 100BASE-FX FEFI force value | R/W    | 1: Forces FEFI on when bit 1 is asserted.<br>0: Suppresses FEFI when bit 1 is asserted. | 0       |

1. Only applicable when clause 37 auto-negotiation is enabled. Enabling parallel detection along with clause 37 auto-negotiation functionality requires local PHY to advertise full-duplex operation.

## 4.5.9 Media SerDes PCS Status

The register at address 24E3 consists of the bits that provide status of the Media SerDes PCS block. The following table shows the settings available.

**Table 94 • Media SerDes PCS Status, Address 24E3 (0x18)**

| Bit | Name   | Access | Description  |
|-----|--|--------|--|
| 15  | Sync status failed                                   | RO     | 1: Sync status on fiber-media SerDes has failed since last read              |
| 14  | cgbad received                                       | RO     | 1: Invalid code-group was received on the fiber-media SerDes since last read |
| 13  | SerDes protocol transfer                             | RO     | 100 Mb or 100BASE-FX link status   |
| 12  | SerDes protocol transfer                             | RO     | 10 Mb link status  |
| 11  | Media interface link partner autonegotiation restart | RO     | 1: Media interface link partner autonegotiation restart request occurred     |
| 10  | Reserved   | RO     | Reserved   |
| 9:8 | Remote fault detected                                | RO     | 01, 10, 11: Remote fault detected from link partner                          |
| 7   | Link partner asymmetric pause                        | RO     | 1: Asymmetric pause advertised by link partner                               |
| 6   | Link partner symmetric pause                         | RO     | 1: Symmetric pause advertised by link partner                                |
| 5   | Link partner full duplex advertisement               | RO     | 1: Full duplex advertised by link partner                                    |
| 4   | Link partner half duplex advertisement               | RO     | 1: Half duplex advertised by link partner                                    |
| 3   | Link partner autonegotiation capable                 | RO     | 1: Media interface link partner autonegotiation capable                      |
| 2   | Media interface link status                          | RO     | 1: Media interface link status   |
| 1   | Media interface autonegotiation complete             | RO     | 1: Media interface autonegotiation complete                                  |
| 0   | Media interface signal detect                        | RO     | 1: Media interface signal detect   |

#### 4.5.10 Media SerDes Clause 37 Advertised Ability

The register at address 25E3 consists of the bits that provide access to and control over Media SerDes Clause 37 advertised ability. The following table shows the settings available.

**Table 95 • Media SerDes CI37 Advertised Ability, Address 25E3 (0x19)**

| Bit  | Name                            | Access | Description  | Default |
|------|---------------------------------|--------|--|---------|
| 15:0 | Media SerDes advertised ability | R/W    | Current configuration code word being advertised. This register is read/write when 23E3.11 = 1. <sup>1</sup> | 0x0000  |

1. The read value for this register is N/A for protocol transfer mode when 23E3.11 is not set.

#### 4.5.11 Media SerDes Clause 37 Link Partner Ability

The register at address 26E3 consists of the bits that provide status of the media SerDes link partner's Clause 37 advertised ability. The following table shows the settings available.

**Table 96 • MAC SerDes CI37 LP Ability, Address 26E3 (0x1A)**

| Bit  | Name                    | Access | Description   |
|------|-------------------------|--------|---|
| 15:0 | Media SerDes LP ability | RO     | Last configuration code word received from link partner |

#### 4.5.12 Media SerDes Status

The register at address 27E3 consists of the bits that provide access to Media SerDes status. The following table shows the settings available.

**Table 97 • Media SerDes Status, Address 27E3 (0x1B)**

| Bit  | Name                    | Access | Description   |
|------|-------------------------|--------|---|
| 15   | K28.5 comma realignment | RO     | Self-clearing bit.<br>1: K28.5 comma re-alignment has occurred.   |
| 14   | Signal detect           | RO     | Self-clearing bit. Sticky bit.<br>1: SerDes media signal detect.  |
| 13   | 100BASE-FX FEFI detect  | RO     | 1: 100BASE-FX far-end fault detected from link partner since last read.                                     |
| 12   | Comma detect            | RO     | Self-clearing bit. Sticky bit.<br>1: Comma detected, cleared when comma not detected, reset to 1 upon read. |
| 11:8 | Comma position          | RO     | Fiber media SerDes comma-alignment position from 0 to 9.  |
| 7    | 100BASE-FX HLS detected | RO     | 1: 100BASE-FX Halt Line-State (HLS) detected since last read.   |
| 6:0  | Reserved                | RO     | Reserved.   |

### 4.5.13 Media/MAC SerDes Receive CRC Good Counter

Register 28E3 makes it possible to read the contents of the CRC good counter for packets that are received on the Fiber media and MAC interfaces; the number of packets that have been received successfully. The following table shows the expected readouts.

**Table 98 • Media/MAC SerDes Receive CRC Good Counter, Address 28E3 (0x1C)**

| Bit  | Name   | Access | Description  | Default |
|------|--|--------|--|---------|
| 15   | Packet since last read                             | RO     | Self-clearing bit.<br>1: Packet received since last read.  | 0       |
| 14   | Reserved   | RO     | Reserved.  |         |
| 13:0 | Media/MAC SerDes Receive CRC good counter contents | RO     | Self-clearing bit. Counter containing the number of packets with valid CRCs. This counter does not saturate and will roll over to 0 when the count reaches 10,000 packets. | 0x000   |

### 4.5.14 Media/MAC SerDes Receive CRC Error Counter

Register 29E3 makes it possible to read the contents of the CRC error counter for packets that are received on the Fiber media and MAC interfaces. The following table shows the expected readouts.

**Table 99 • Media/MAC SerDes Receive CRC Error Counter, Address 29E3 (0x1D)**

| Bit   | Name                                | Access | Description  | Default |
|-------|-------------------------------------|--------|--|---------|
| 15:14 | Rx counter select                   | RW     | Selects between fiber media and MAC SerDes receive counters. <sup>1</sup><br>00: Selects fiber media SerDes receive counters.<br>01: Selects MAC SerDes receive counters.<br>others: Reserved. |         |
| 13:8  | Reserved                            | RO     | Reserved.  |         |
| 7:0   | Media/MAC Receive CRC error counter | RO     | Self-clearing bit. CRC error counter for packets received on the Fiber media or MAC interfaces. The value saturates at 0xFF and subsequently clears when read and restarts count.              | 0x00    |

1. The counters are only operational when the media link state is up, irrespective of selecting media SerDes or MAC SerDes.

## 4.6 Extended Page 4 Registers

To access the extended page 4 registers (16E4–30E4), enable extended register access by writing 0x0004 to register 31. For more information, see [Table 68](#), page 118.

When extended page 4 register access is enabled, reads and writes to registers 16–30 affect the extended registers 16E4–30E4 instead of those same registers in the IEEE-specified register space. Registers 0–15 are not affected by the state of the extended page register access.

Writing 0x0000 to register 31 restores the main register access.

The following table lists the addresses and register names in the extended register page 4 space. These registers are accessible only when the device register 31 is set to 0x0004.

**Table 100 • Extended Registers Page 4 Space**

| Address   | Name                           |
|-----------|--------------------------------|
| 16E4–20E4 | CSR Access Controls and Status |

**Table 100 • Extended Registers Page 4 Space (continued)**

| Address   | Name                                |
|-----------|-------------------------------------|
| 21E4      | 1588_PPS_0/1 Mux Control            |
| 22E4–25E4 | Reserved                            |
| 26E4–28E4 | SPI Daisy-Chain Controls and Status |
| 29E4–30E4 | 1588 RefClk Input Buffer Control    |

## 4.6.1 CSR Access Controls and Status

The following tables show the CSR ring access controls and status registers.

**Table 101 • CSR Access Control, Address 16E4**

| Bit   | Access | Description   |
|-------|--------|---|
| 15    | RWSC   | Command bit.<br>1: Must be set to execute the command. It is set back to 1 when done.<br>0: Command busy, do not do any write to register 16. Register 17 and 18 maintain previous write values.                          |
| 14    | RW     | 1: Execute a read on the CSR registers.<br>0: Execute a write on the CSR registers.   |
| 13:11 | RW     | Target block code.<br>000: Analyzer 0 Ingress<br>001: Analyzer 0 Egress<br>010: Analyzer 1 Ingress<br>011: Analyzer 1 Egress<br>100: Analyzer 2 Ingress<br>101: Analyzer 2 Egress<br>110: Processor 0<br>111: Processor 1 |
| 10:0  | R/W    | CSR register address[10:0]  |

**Table 102 • CSR Buffer, Address 17E4**

| Bit  | Access | Description        |
|------|--------|--------------------|
| 15:0 | RWSC   | CSR Data_LSB[15:0] |

**Table 103 • CSR Buffer, Address 18E4**

| Bit  | Access | Description         |
|------|--------|---------------------|
| 15:0 | RWSC   | CSR Data_MSB[31:16] |

**Table 104 • CSR Access Control, Address 19E4**

| Bit   | Access | Description  |
|-------|--------|--|
| 15    | RWSC   | Command bit.<br>1: Must be set to execute the command. It is set back to 1 when done.<br>0: Command busy, do not do any write to register 19. Register 17 and 18 maintain previous write values. |
| 14    | RW     | 1: Execute a read on the CSR registers.<br>0: Execute a write on the CSR registers.  |
| 13:12 | RW     | Target ID [1:0] for most targets   |

**Table 104 • CSR Access Control, Address 19E4 (continued)**

| Bit  | Access | Description                |
|------|--------|----------------------------|
| 11:0 | R/W    | CSR register address[11:0] |

**Table 105 • CSR Status, Address 20E4**

| Bit   | Access | Description  |
|-------|--------|--|
| 15:13 | RO     | CSR status<br>000: REQUEST_OK<br>001: TGT_BUSY<br>010: UTM<br>011: NO_ACTION<br>100: WD_DROP<br>101: WD_DROP_ORG |
| 12:4  | RO     | Reserved   |
| 3:0   | RW     | Target ID[5:2]   |

## 4.6.2 1588\_PPS\_0/1 Mux Control

The 1588\_PPS\_0 mux control register controls the PHY used to access 1588\_PPS\_0. The following table shows the settings available. For more information, see [Figure 26](#), page 23.

**Table 106 • 1588\_PPS\_0 Mux Control, Address 21E4**

| Bit  | Name               | Access | Description  | Default |
|------|--------------------|--------|--|---------|
| 15:2 | Reserved           | RO     | Reserved   |         |
| 1:0  | 1588_PPS_0 control | R/W    | 00: PPS_0 from Phy0<br>01: PPS_0 from Phy1<br>10: PPS_0 from Phy2<br>11: PPS_0 from Phy3 | 00      |

## 4.6.3 SPI Daisy-Chain Controls and Status

The following tables show the SPI daisy-chain controls and status registers.

Register 26

**Table 107 • SPI Daisy-Chain Control, Address 26E4**

| Bit  | Access | Description   |
|------|--------|---|
| 15   | RW     | Enable SPI daisy-chain input port   |
| 14   | RW     | Enable SPI daisy-chain output port  |
| 13   | RW     | Output SI clock phase control   |
| 12   | RW     | Output SI clock polarity control  |
| 11:8 | RW     | Number of CSR clock periods SI_CS negates between writes                              |
| 7:4  | RW     | Threshold (units 1/16 of FIFO size) which enables SPI daisy-chain as highest priority |
| 3:0  | RW     | Threshold (units 1/16 of FIFO size) which enables SPI daisy-chain as equal priority   |



**Table 108 • SPI Daisy-Chain Status, Address 27E4**

| Bit   | Access | Description  |
|-------|--------|--|
| 15:12 | RW     | Number of CSR clock periods after last clock edge before SI_CS goes high at end-of-frame   |
| 11:8  | RW     | Number of CSR clock periods before first clock edge after SI_CS goes low at start-of-frame |
| 7:4   | RW     | Number of CSR clock periods that the SI_CLK is high  |
| 3:0   | RW     | Number of CSR clock periods that the SI_CLK is low   |

**Table 109 • SPI Daisy-Chain Counter, Address 28E4**

| Bit   | Access | Description  |
|-------|--------|--|
| 15:14 | RW     | Selects SPI daisy-chain counter                                |
| 13:10 | RO     | Reserved   |
| 9:0   | RO/SC  | Reads out the selected counter (clear-on-read, if appropriate) |

**Table 110 • 1588 RefClk Input Buffer Control (LSW), Address 29E4**

| Bit  | Access | Description               |
|------|--------|---------------------------|
| 15:0 | RW     | REFCLK_1588_IB_CTRL[15:0] |

**Table 111 • 1588 RefClk Input Buffer Control (MSW), Address 30E4**

| Bit  | Access | Description                |
|------|--------|----------------------------|
| 15:0 | RW     | REFCLK_1588_IB_CTRL[31:16] |

## 4.7 General Purpose Registers

Accessing the general purpose register space is similar to accessing the extended page registers. Set register 31 to 0x0010. This sets all 32 registers to the general purpose register space.

To restore main register page access, write 0x0000 to register 31.

The following table lists the addresses and register names in the general purpose register page space. These registers are accessible only when the device register 31 is set to 0x0010. All general purpose register bits are super-sticky.

**Table 112 • General Purpose Registers Page Space**

| Address | Name                                 |
|---------|--------------------------------------|
| 0G–12G  | Reserved                             |
| 13G     | LED/SIGDET/GPIO Control              |
| 14G     | GPIO Control 2                       |
| 15G     | GPIO Input                           |
| 16G     | GPIO Output                          |
| 17G     | GPIO Output Enable                   |
| 18G     | Micro Command                        |
| 19G     | MAC Mode and Fast Link Configuration |
| 20G     | Two-Wire Serial MUX Control 1        |

**Table 112 • General Purpose Registers Page Space (continued)**

| Address | Name                                |
|---------|-------------------------------------|
| 21G     | Two-Wire Serial MUX Control 2       |
| 22G     | Two-Wire Serial MUX Data Read/Write |
| 23G     | Recovered Clock 1 Control           |
| 24G     | Recovered Clock 2 Control           |
| 25G     | Enhanced LED Control                |
| 26G     | Reserved                            |
| 27G     | Reserved                            |
| 28G     | Reserved                            |
| 29G     | Global Interrupt Status             |
| 30G     | Reserved                            |

### 4.7.1 Reserved General Purpose Address Space

The bits in registers 0G to 12G and 30G of the general purpose register space are reserved.

### 4.7.2 LED/SIGDET/GPIO Control

The LED control bits configure the LED[3:0]\_[31:0] pins to function as either LED control pins for each PHY, or as general purpose I/O pins. The SIGDET control bits configure the GPIO[3:0]/SIGDET[3:0] pins to function either as signal detect pins for each fiber media port, or as GPIOs. The following table shows the values that can be written.

**Table 113 • LED/SIGDET/GPIO Control, Address 13G (0x0D)**

| Bit   | Name                  | Access | Description  | Default |
|-------|-----------------------|--------|--|---------|
| 15:14 | GPIO7/I2C_SCL_3       | R/W    | 00: SCL for PHY3<br>01: Reserved<br>10: Reserved<br>11: Controlled by MII registers 15G to 17G     | 00      |
| 13:12 | GPIO6/I2C_SCL_2       | R/W    | 00: SCL for PHY2<br>01: Reserved<br>10: Reserved<br>11: Controlled by MII registers 15G to 17G     | 00      |
| 11:10 | GPIO5/I2C_SCL_1       | R/W    | 00: SCL for PHY1<br>01: Reserved<br>10: Reserved<br>11: Controlled by MII registers 15G to 17G     | 00      |
| 9:8   | GPIO4/I2C_SCL_0       | R/W    | 00: SCL for PHY0<br>01: Reserved<br>10: Reserved<br>11: Controlled by MII registers 15G to 17G     | 00      |
| 7:6   | GPIO3/SIGDET3 control | R/W    | 00: SIGDET operation<br>01: Reserved<br>10: Reserved<br>11: Controlled by MII registers 15G to 17G | 00      |
| 5:4   | GPIO2/SIGDET2 control | R/W    | 00: SIGDET operation<br>01: Reserved<br>10: Reserved<br>11: Controlled by MII registers 15G to 17G | 00      |

**Table 113 • LED/SIGDET/GPIO Control, Address 13G (0x0D) (continued)**

| Bit | Name                  | Access | Description  | Default |
|-----|-----------------------|--------|--|---------|
| 3:2 | GPIO1/SIGDET1 control | R/W    | 00: SIGDET operation<br>01: Reserved<br>10: Reserved<br>11: Controlled by MII registers 15G to 17G | 00      |
| 1:0 | GPIO0/SIGDET0 control | R/W    | 00: SIGDET operation<br>01: Reserved<br>10: Reserved<br>11: Controlled by MII registers 15G to 17G | 00      |

### 4.7.3 GPIO Control 2

The GPIO control 2 register configures the functionality of the COMA\_MODE and 1588 control input pins, and provides control for possible GPIO pin options.

**Table 114 • GPIO Control 2, Address 14G (0x0E)**

| Bit   | Name                                      | Access | Description   | Default |
|-------|---|--------|---|---------|
| 15:14 | GPIO12/1588_SPI_CS and GPIO13/1588_SPI_DO | R/W    | GPIO12/1588_SPI_CS and GPIO13/1588_SPI_DO control.<br>00: 1588_SPI_CS/1588_SPI_DO operation.<br>01: Reserved.<br>10: Reserved.<br>11: GPIO12/GPIO13 operation. Controlled by MII registers 15G to 17G.  |         |
| 13    | COMA_MODE output enable (active low)      | R/W    | 1: COMA_MODE pin is an input.<br>0: COMA_MODE pin is an output.   | 1       |
| 12    | COMA_MODE output data                     | R/W    | Value to output on the COMA_MODE pin when it is configured as an output.  | 0       |
| 11    | COMA_MODE input data                      | RO     | Data read from the COMA_MODE pin.   |         |
| 10    | Tri-state enable for two-wire serial bus  | R/W    | 1: Tri-states two-wire serial bus output signals instead of driving them high. This allows those signals to be pulled above VDD25 using an external pull-up resistor.<br>0: Drive two-wire serial bus output signals to high and low values as appropriate. | 1       |
| 9     | Tri-state enable for LEDs                 | R/W    | 1: Tri-state LED output signals instead of driving them high. This allows the signals to be pulled above V <sub>DDIO</sub> using an external pull-up resistor.<br>0: Drive LED bus output signals to high and low values.                                   | 1       |
| 8     | PPS 1-3 output enable                     | R/W    | PPS 1-3 output enable (must be 0 to allow SPI daisy-chain input).   | 0       |
| 7:6   | GPIO11/1588_PPS_0                         | R/W    | GPIO11/1588_PPS_0 control.<br>00: 1588_PPS_0 operation<br>01: Reserved<br>10: Reserved<br>11: Controlled by MII registers 15G to 17G  |         |

**Table 114 • GPIO Control 2, Address 14G (0x0E) (continued)**

| Bit | Name                  | Access | Description  | Default |
|-----|-----------------------|--------|--|---------|
| 5:4 | GPIO10/1588_LOAD_SAVE | R/W    | GPIO10/1588_LOAD_SAVE control.<br>00: 1588_LOAD_SAVE operation<br>01: Reserved<br>10: Reserved<br>11: Controlled by MII registers 15G to 17G |         |
| 3:2 | GPIO9/FASTLINK_FAIL   | R/W    | GPIO9/FASTLINK_FAIL control.<br>00: FASTLINK_FAIL operation<br>01: Reserved<br>10: Reserved<br>11: Controlled by MII registers 15G to 17G    |         |
| 1:0 | GPIO8/I2C_SDA         | R/W    | GPIO8/I2C_SDA control.<br>00: I2C_SDA operation<br>01: Reserved<br>10: Reserved<br>11: Controlled by MII registers 15G to 17G                |         |

#### 4.7.4 GPIO Input

The input register contains information about the input to the device GPIO pins. Read from this register to access the data on the device GPIO pins. The following table shows the readout you can expect.

**Table 115 • GPIO Input, Address 15G (0x0F)**

| Bit   | Name                  | Access | Description                 | Default |
|-------|-----------------------|--------|-----------------------------|---------|
| 15:14 | Reserved              | RO     | Reserved                    |         |
| 13    | GPIO13/1588_SPI_DO    | R/W    | GPIO13/1588_SPI_DO input    | 0       |
| 12    | GPIO12/1588_SPI_CS    | R/W    | GPIO12/1588_SPI_CS input    | 0       |
| 11    | GPIO11/1588_PPS_0     | R/W    | GPIO11/1588_PPS_0 input     | 0       |
| 10    | GPIO10/1588_LOAD_SAVE | R/W    | GPIO10/1588_LOAD_SAVE input | 0       |
| 9     | GPIO9/FASTLINK_FAIL   | R/W    | GPIO9/FASTLINK_FAIL input   | 0       |
| 8     | GPIO8/I2C_SDA         | R/W    | GPIO8/I2C_SDA input         | 0       |
| 7     | GPIO7/I2C_SCL_3       | R/W    | GPIO7/I2C_SCL_3 input       | 0       |
| 6     | GPIO6/I2C_SCL_2       | R/W    | GPIO6/I2C_SCL_2 input       | 0       |
| 5     | GPIO5/I2C_SCL_1       | R/W    | GPIO5/I2C_SCL_1 input       | 0       |
| 4     | GPIO4/I2C_SCL_0       | R/W    | GPIO4/I2C_SCL_0 input       | 0       |
| 3     | GPIO3/SIGDET3         | R/W    | GPIO3/SIGDET3 input         | 0       |
| 2     | GPIO2/SIGDET2         | R/W    | GPIO2/SIGDET2 input         | 0       |
| 1     | GPIO1/SIGDET1         | R/W    | GPIO1/SIGDET1 input         | 0       |
| 0     | GPIO0/SIGDET0         | R/W    | GPIO0/SIGDET0 input         | 0       |

## 4.7.5 GPIO Output

The output register allows you to access and control the output from the device GPIO pins. The following table shows the values you can write.

**Table 116 • GPIO Output, Address 16G (0x10)**

| Bit   | Name                  | Access | Description                  | Default |
|-------|-----------------------|--------|------------------------------|---------|
| 15:14 | Reserved              | RO     | Reserved                     |         |
| 13    | GPIO13/1588_SPI_DO    | R/W    | GPIO13/1588_SPI_DO output    | 0       |
| 12    | GPIO12/1588_SPI_CS    | R/W    | GPIO12/1588_SPI_CS output    | 0       |
| 11    | GPIO11/1588_PPS_0     | R/W    | GPIO11/1588_PPS_0 output     | 0       |
| 10    | GPIO10/1588_LOAD_SAVE | R/W    | GPIO10/1588_LOAD_SAVE output | 0       |
| 9     | GPIO9/FASTLINK_FAIL   | R/W    | GPIO9/FASTLINK_FAIL output   | 0       |
| 8     | GPIO8/I2C_SDA         | R/W    | GPIO8/I2C_SDA output         | 0       |
| 7     | GPIO7/I2C_SCL_3       | R/W    | GPIO7/I2C_SCL_3 output       | 0       |
| 6     | GPIO6/I2C_SCL_2       | R/W    | GPIO6/I2C_SCL_2 output       | 0       |
| 5     | GPIO5/I2C_SCL_1       | R/W    | GPIO5/I2C_SCL_1 output       | 0       |
| 4     | GPIO4/I2C_SCL_0       | R/W    | GPIO4/I2C_SCL_0 output       | 0       |
| 3     | GPIO3/SIGDET3         | R/W    | GPIO3/SIGDET3 output         | 0       |
| 2     | GPIO2/SIGDET2         | R/W    | GPIO2/SIGDET2 output         | 0       |
| 1     | GPIO1/SIGDET1         | R/W    | GPIO1/SIGDET1 output         | 0       |
| 0     | GPIO0/SIGDET0         | R/W    | GPIO0/SIGDET0 output         | 0       |

## 4.7.6 GPIO Pin Configuration

Register 17G in the GPIO register space controls whether a particular GPIO pin functions as an input or an output. The following table shows the settings available.

**Table 117 • GPIO Input/Output Configuration, Address 17G (0x11)**

| Bit   | Name                  | Access | Description                         | Default |
|-------|-----------------------|--------|-------------------------------------|---------|
| 15:14 | Reserved              | RO     | Reserved                            |         |
| 13    | GPIO13/1588_SPI_DO    | R/W    | GPIO13/1588_SPI_DO output enable    | 0       |
| 12    | GPIO12/1588_SPI_CS    | R/W    | GPIO12/1588_SPI_CS output enable    | 0       |
| 11    | GPIO11/1588_PPS_0     | R/W    | GPIO11/1588_PPS_0 output enable     | 0       |
| 10    | GPIO10/1588_LOAD_SAVE | R/W    | GPIO10/1588_LOAD_SAVE output enable | 0       |
| 9     | GPIO9/FASTLINK_FAIL   | R/W    | GPIO9/FASTLINK_FAIL output enable   | 0       |
| 8     | GPIO8/I2C_SDA         | R/W    | GPIO8/I2C_SDA output enable         | 0       |
| 7     | GPIO7/I2C_SCL_3       | R/W    | GPIO7/I2C_SCL_3 output enable       | 0       |
| 6     | GPIO6/I2C_SCL_2       | R/W    | GPIO6/I2C_SCL_2 output enable       | 0       |
| 5     | GPIO5/I2C_SCL_1       | R/W    | GPIO5/I2C_SCL_1 output enable       | 0       |
| 4     | GPIO4/I2C_SCL_0       | R/W    | GPIO4/I2C_SCL_0 output enable       | 0       |
| 3     | GPIO3/SIGDET3         | R/W    | GPIO3/SIGDET3 output enable         | 0       |
| 2     | GPIO2/SIGDET2         | R/W    | GPIO2/SIGDET2 output enable         | 0       |

**Table 117 • GPIO Input/Output Configuration, Address 17G (0x11) (continued)**

| Bit | Name          | Access | Description                 | Default |
|-----|---------------|--------|-----------------------------|---------|
| 1   | GPIO1/SIGDET1 | R/W    | GPIO1/SIGDET1 output enable | 0       |
| 0   | GPIO0/SIGDET0 | R/W    | GPIO0/SIGDET0 output        | 0       |

### 4.7.7 Microprocessor Command

Register 18G is a command register. Bit 15 tells the internal processor to execute the command. When bit 15 is cleared the command has completed. Software needs to wait until bit 15 = 0 before proceeding with the next PHY register access. Bit 14 = 1 typically indicates an error condition where the squelch patch was not loaded. Use the following steps to execute the command:

1. Write desired command
2. Check bit 15 (move existing text)
3. Check bit 14 (if set, then error)

Commands may take up to 25 ms to complete before bit 15 changes to 0.

**Note:** All MAC interfaces must be the same — all QSGMII or SGMII.

**Table 118 • Microprocessor Command Register, Address 18G**

| Command                            | Setting             |
|------------------------------------|---------------------|
| Enable four MAC SGMII ports        | 0x80F0              |
| Enable four MAC QSGMII ports       | 0x80E0              |
| Enable four Media 1000BASE-X ports | 0x8FC1 <sup>1</sup> |
| Enable four Media 100BASE-FX ports | 0x8FD1 <sup>1</sup> |

1. The “F” in the command has a bit representing each of the four PHYs. To exclude a PHY from the configuration, set its bit to 0. For example, the configuration of PHY 3 and PHY 2 to 1000BASE-X would be 1100 or a “C” and the command would be 0x8CC1.

### 4.7.8 MAC Configuration and Fast Link

Register 19G in the GPIO register space controls the MAC interface mode and the selection of the source PHY for the fast link failure indication. The following table shows the settings available for the GPIO9/FASTLINK-FAIL pin.

**Table 119 • MAC Configuration and Fast Link Register, Address 19G (0x13)**

| Bit   | Name                           | Access | Description   | Default |
|-------|--------------------------------|--------|---|---------|
| 15:14 | MAC configuration              | R/W    | Select MAC interface mode<br>00: SGMII<br>01: QSGMII<br>10: Reserved<br>11: Reserved  | 00      |
| 13:4  | Reserved                       | RO     | Reserved  |         |
| 3:0   | Fast link failure port setting | R/W    | Select fast link failure PHY source<br>0000: Port0<br>0001: Port1<br>0010: Port2<br>0011: Port3<br>1100–1111: Output disabled | 0xF     |

### 4.7.9 Two-Wire Serial MUX Control 1

The following table shows the settings available to control the integrated two-wire serial MUX.

**Table 120 • Two-Wire Serial MUX Control 1, Address 20G (0x14)**

| Bit  | Name                                | Access | Description   | Default |
|------|-------------------------------------|--------|---|---------|
| 15:9 | Two-wire serial device address      | R/W    | Top 7 bits of the 8-bit address sent out on the two wire serial stream. The bottom bit is the read/write signal, which is controlled by register 21G, bit 8. SFPs use 0xA0. | 0xA0    |
| 8:6  | Reserved                            | RO     | Reserved.   |         |
| 5:4  | Two-wire serial SCL clock frequency | R/W    | 00: 50 kHz<br>01: 100 kHz<br>10: 400 kHz<br>11: 2 MHz   | 01      |
| 3    | Two-wire serial MUX port 3 enable   | R/W    | 1: Enabled.<br>0: Two-wire serial disabled. Becomes GPIO pin.   | 0       |
| 2    | Two-wire serial MUX port 2 enable   | R/W    | 1: Enabled.<br>0: Two-wire serial disabled. Becomes GPIO pin.   | 0       |
| 1    | Two-wire serial MUX port 1 enable   | R/W    | 1: Enabled.<br>0: Two-wire serial disabled. Becomes GPIO pin.   | 0       |
| 0    | Two-wire serial MUX port 0 enable   | R/W    | 1: Enabled.<br>0: Two-wire serial disabled. Two-wire serial MUX port 0 becomes GPIO pin if serial LED function is enabled, regardless of the settings of this bit.          | 0       |

### 4.7.10 Two-Wire Serial MUX Control 2

Register 21G is used to control the two-wire serial MUX for status and control of two-wire serial slave devices.

**Table 121 • Two-Wire Serial MUX Interface Status and Control, Address 21G (0x15)**

| Bit   | Name                              | Access | Description  | Default |
|-------|-----------------------------------|--------|--|---------|
| 15    | Two-wire serial MUX ready         | RO     | 1: Two-wire serial MUX is ready for read or write  |         |
| 14:12 | Reserved                          | RO     | Reserved   |         |
| 11:10 | PHY port Address                  | R/W    | Specific PHY port being addressed.   | 00      |
| 9     | Enable two-wire serial MUX access | R/W    | Self-clearing bit.<br>1: Execute read or write through the two-wire serial MUX based on the settings of register bit 21G.8 | 0       |
| 8     | Two-wire serial MUX read or write | R/W    | 1: Read from two-wire serial MUX<br>0: Write to two-wire serial MUX  | 1       |
| 7:0   | Two-wire serial MUX address       | R/W    | Sets the address of the two-wire serial MUX used to direct read or write operations.                                       | 0x00    |

### 4.7.11 Two-Wire Serial MUX Data Read/Write

Register 22G in the extended register space enables access to the two-wire serial MUX.

**Table 122 • Two-Wire Serial MUX Data Read/Write, Address 22G (0x16)**

| Bit  | Name                           | Access | Description  | Default |
|------|--------------------------------|--------|--|---------|
| 15:8 | Two-wire serial MUX read data  | RO     | Eight-bit data read from two-wire serial MUX; requires setting both register 21G.9 and 21G.8 to 1. |         |
| 7:0  | Two-wire serial MUX write data | R/W    | Eight-bit data to be written to two-wire serial MUX.   | 0x00    |

### 4.7.12 Recovered Clock 1 Control

Register 23G in the extended register space controls the functionality of the recovered clock 1 output signal.

**Table 123 • Recovered Clock 1 Control, Address 23G (0x17)**

| Bit   | Name                   | Access | Description   | Default |
|-------|------------------------|--------|---|---------|
| 15    | Enable RCVRDCLK1       | R/W    | 1: Enable recovered clock 1 output<br>0: Disable recovered clock 1 output   | 0       |
| 14:11 | Clock source select    | R/W    | Select bits for source PHY for recovered clock:<br>0000: PHY0<br>0001: PHY1<br>0010: PHY2<br>0011: PHY3<br>0100–1111: Reserved              | 0000    |
| 10:8  | Clock frequency select | R/W    | Select output clock frequency:<br>000: 25 MHz output clock<br>001: 125 MHz output clock<br>010: 31.25 MHz output clock<br>011–111: Reserved | 000     |
| 7:6   | Reserved               | RO     | Reserved.   |         |



**Table 123 • Recovered Clock 1 Control, Address 23G (0x17) (continued)**

| Bit | Name                              | Access | Description  | Default |
|-----|-----------------------------------|--------|--|---------|
| 5:4 | Clock squelch level               | R/W    | Select clock squelch level<br>00: Automatically squelch clock to low when the link is not up, is unstable, is up in a mode that does not support the generation of a recovered clock (1000BASE-T master or 10BASE-T), or is up in EEE mode (100BASE-TX or 1000BASE-T slave).<br>01: Same as 00 except that the clock is also generated in 1000BASE-T master and 10BASE-T link-up modes. This mode also generates a recovered clock output in EEE mode during reception of LP_IDLE.<br>10: Squelch only when the link is not up.<br>11: Disable clock squelch.<br><b>Note:</b> A clock from the SerDes or Cu PHY will be output on the recovered clock output in this mode when the link is down.<br><br>When the CLK_SQUELCH_IN pin is set high, it squelches the recovered clocks regardless of bit settings. |         |
| 3   | Reserved                          | RO     | Reserved.  |         |
| 2:0 | Clock selection for specified PHY | R/W    | 000: Serial media recovered clock<br>001: Copper PHY recovered clock<br>010: Copper PHY transmitter TCLK<br>011–111: Reserved  | 000     |

### 4.7.13 Recovered Clock 2 Control

Register 24G in the extended register space controls the functionality of the recovered clock 2 output signal.

**Table 124 • Recovered Clock 2 Control, Address 24G (0x18)**

| Bit   | Name                   | Access | Description   | Default |
|-------|------------------------|--------|---|---------|
| 15    | Enable RCVRDCLK2       | R/W    | Enable recovered clock 2 output   | 0       |
| 14:11 | Clock source select    | R/W    | Select bits for source PHY for recovered clock:<br>0000: PHY0<br>0001: PHY1<br>0010: PHY2<br>0011: PHY3<br>0100–1111: Reserved              | 0000    |
| 10:8  | Clock frequency select | R/W    | Select output clock frequency:<br>000: 25 MHz output clock<br>001: 125 MHz output clock<br>010: 31.25 MHz output clock<br>011–111: Reserved | 000     |
| 7:6   | Reserved               | RO     | Reserved  |         |

**Table 124 • Recovered Clock 2 Control, Address 24G (0x18) (continued)**

| Bit | Name                              | Access | Description   | Default |
|-----|-----------------------------------|--------|---|---------|
| 5:4 | Clock squelch level               | R/W    | Select clock squelch level:<br>00: Automatically squelch clock to low when the link is not up, is unstable, is up in a mode that does not support the generation of a recovered clock (1000BASE-T master or 10BASE-T), or is up in EEE mode (100BASE-TX or 1000BASE-T slave).<br>01: Same as 00 except that the clock is also generated in 1000BASE-T master and 10BASE-T link-up modes. This mode also generates a recovered clock output in EEE mode during reception of LP_IDLE<br>10: Squelch only when the link is not up<br>11: Disable clock squelch.<br><b>Note:</b> A clock from the SerDes or Cu PHY will be output on the recovered clock output in this mode when the link is down.<br><br>When the CLK_SQUELCH_IN pin is set high, it squelches the recovered clocks regardless of bit settings. |         |
| 3   | Reserved                          | RO     | Reserved  |         |
| 2:0 | Clock selection for specified PHY | R/W    | 000: Serial media recovered clock<br>001: Copper PHY recovered clock<br>010–111: Reserved   | 000     |

#### 4.7.14 Enhanced LED Control

The following table contains the bits to control advanced functionality of the parallel and serial LED signals.

**Table 125 • Enhanced LED Control, Address 25G (0x19)**

| Bit  | Name                                     | Access | Description   | Default |
|------|--|--------|---|---------|
| 15:8 | LED pulsing duty cycle control           | R/W    | Programmable control for LED pulsing duty cycle when bit 30.12 is set to 1. Valid settings are between 0 and 198. A setting of 0 corresponds to a 0.5% duty cycle and 198 corresponds to a 99.5% duty cycle. Intermediate values change the duty cycle in 0.5% increments | 00      |
| 7    | Port 1 enhanced serial LED output enable | R/W    | Enable the enhanced serial LED output functionality for port 1 LED pins.<br>1: Enhanced serial LED outputs<br>0: Normal function  | 0       |
| 6    | Port 0 enhanced serial LED output enable | R/W    | Enable the enhanced serial LED output functionality for port 0 LED pins.<br>1: Enhanced serial LED outputs<br>0: Normal function  | 0       |

**Table 125 • Enhanced LED Control, Address 25G (0x19) (continued)**

| Bit | Name                            | Access | Description   | Default |
|-----|---------------------------------|--------|---|---------|
| 5:3 | Serial LED frame rate selection | R/W    | Select frame rate of serial LED stream<br>000: 2500 Hz frame rate<br>001: 1000 Hz frame rate<br>010: 500 Hz frame rate<br>011: 250 Hz frame rate<br>100: 200 Hz frame rate<br>101: 125 Hz frame rate<br>110: 40 Hz frame rate<br>111: Output basic serial LED stream<br>See <a href="#">Table 31</a> , page 86. |         |
| 2:1 | Serial LED select               | R/W    | Select which LEDs from each PHY to enable on the serial stream<br>00: Enable all four LEDs of each PHY<br>01: Enable LEDs 2, 1 and 0 of each PHY<br>10: Enable LEDs 1 and 0 of each PHY<br>11: Enable LED 0 of each PHY   | 00      |
| 0   | LED port swapping               | R/W    | See <a href="#">LED Port Swapping</a> , page 87.  |         |

### 4.7.15 Global Interrupt Status

The following table contains the interrupt status from the various sources to indicate which one caused that last interrupt on the pin.

**Table 126 • Global Interrupt Status, Address 29G (0x1D)**

| Bit   | Name                               | Access | Description   |
|-------|------------------------------------|--------|---|
| 15:12 | Reserved                           | RO     | Reserved  |
| 11    | PHY3 1588 <sup>1</sup>             | RO     | PHY3 1588 interrupt source indication<br>0: PHY3 1588 caused the interrupt<br>1: PHY3 1588 did not cause the interrupt  |
| 10    | PHY2 1588 <sup>1</sup>             | RO     | PHY 2 1588 interrupt source indication<br>0: PHY2 1588 caused the interrupt<br>1: PHY2 1588 did not cause the interrupt |
| 9     | PHY1 1588 <sup>1</sup>             | RO     | PHY 1 1588 interrupt source indication<br>0: PHY1 1588 caused the interrupt<br>1: PHY1 1588 did not cause the interrupt |
| 8     | PHY0 1588 <sup>1</sup>             | RO     | PHY 0 1588 interrupt source indication<br>0: PHY0 1588 caused the interrupt<br>1: PHY0 1588 did not cause the interrupt |
| 7:4   | Reserved                           | R      | Reserved  |
| 3     | PHY3 interrupt source <sup>2</sup> | RO     | PHY3 interrupt source indication<br>0: PHY3 caused the interrupt<br>1: PHY3 did not cause the interrupt                 |
| 2     | PHY2 interrupt source <sup>2</sup> | RO     | PHY2 interrupt source indication<br>0: PHY2 caused the interrupt<br>1: PHY2 did not cause the interrupt                 |
| 1     | PHY1 interrupt source <sup>2</sup> | RO     | PHY1 interrupt source indication<br>0: PHY1 caused the interrupt<br>1: PHY1 did not cause the interrupt                 |

**Table 126 • Global Interrupt Status, Address 29G (0x1D) (continued)**

| Bit | Name                               | Access | Description   |
|-----|------------------------------------|--------|---|
| 0   | PHY0 interrupt source <sup>2</sup> | RO     | PHY0 interrupt source indication<br>0: PHY0 caused the interrupt<br>1: PHY0 did not cause the interrupt |

1. This bit is set to 0 when the corresponding PHY's 1588 interrupt is asserted and is set to 1 when the corresponding PHY's 1588 interrupt is cleared.
2. This bit is set to 1 when the corresponding PHY's Interrupt Status register 26 (0x1A) is read.

## 4.8 Clause 45 Registers to Support Energy Efficient Ethernet and 802.3bf

This section describes the Clause 45 registers that are required to support energy efficient Ethernet. Access to these registers is through the IEEE standard registers 13 and 14 (MMD access control and MMD data or address registers) as described in section 4.2.11 and 4.2.12.

The following table lists the addresses and register names in the Clause 45 register page space. When the link is down, 0 is the value returned for the x.180x addresses.

**Table 127 • Clause 45 Registers Page Space**

| Address | Name   |
|---------|--|
| 1.1     | PMA/PMD status 1   |
| 1.1800  | TimeSync PMA/PMD capability  |
| 1.1801  | Tx maximum delay through PHY (PMA/PMD/PCS, until block)                  |
| 1.1803  | Tx minimum delay through PHY (PMA/PMD/PCS, until block)                  |
| 1.1805  | Rx maximum delay through PHY (PMA/PMD/PCS, until block)                  |
| 1.1807  | Rx minimum delay through PHY (PMA/PMD/PCS, until block)                  |
| 3.1     | PCS status 1   |
| 3.1800  | TimeSync PCS capability  |
| 3.1801  | Tx maximum delay through 1588  |
| 3.1803  | Tx minimum delay through 1588  |
| 3.1805  | Rx maximum delay through 1588  |
| 3.1807  | Rx minimum delay through 1588  |
| 3.20    | EEE capability   |
| 3.22    | EEE wake error counter   |
| 4.1800  | TimeSync PHY XS Capability   |
| 4.1801  | Tx maximum delay through xMII (SGMII, QSGMII, including FIFO variations) |
| 4.1803  | Tx minimum delay through xMII (SGMII, QSGMII, including FIFO variations) |
| 4.1805  | Rx maximum delay through xMII (SGMII, QSGMII, including FIFO variations) |
| 4.1807  | Rx minimum delay through xMII (SGMII, QSGMII, including FIFO variations) |
| 7.60    | EEE advertisement  |
| 7.61    | EEE link partner advertisement   |

## 4.8.1 PMA/PMD Status 1

The following table shows the bit descriptions for the PMA/PMD Status 1 register.

**Table 128 • PMA/PMD Status 1**

| Bit  | Name                        | Access | Description  |
|------|-----------------------------|--------|--|
| 15:3 | Reserved                    | RO     | Reserved   |
| 2    | PMD/PMA receive link status | RO/LL  | 1: PMA/PMD receive link up<br>0: PMA/PMD receive link down |
| 1:0  | Reserved                    | RO     | Reserved   |

## 4.8.2 PCS Status 1

The bits in the PCS Status 1 register provide a status of the EEE operation from the PCS for the link that is currently active.

**Table 129 • PCS Status 1, Address 3.1**

| Bit   | Name                    | Access | Description   |
|-------|-------------------------|--------|---|
| 15:12 | Reserved                | RO     | Reserved  |
| 11    | Tx LPI received         | RO/LH  | 1: Tx PCS has received LPI<br>0: LPI not received                             |
| 10    | Rx LPI received         | RO/LH  | 1: Rx PCS has received LPI<br>0: LPI not received                             |
| 9     | Tx LPI indication       | RO     | 1: Tx PCS is currently receiving LPI<br>0: PCS is not currently receiving LPI |
| 8     | Rx LPI indication       | RO     | 1: Rx PCS is currently receiving LPI<br>0: PCS is not currently receiving LPI |
| 7:3   | Reserved                | RO     | Reserved  |
| 2     | PCS receive link status | RO/LL  | 1: PCS receive link up<br>0: PCS receive link down                            |
| 1:0   | Reserved                | RO     | Reserved  |

## 4.8.3 EEE Capability

This register is used to indicate the capability of the PCS to support EEE functions for each PHY type. The following table shows the bit assignments for the EEE capability register.

**Table 130 • EEE Capability, Address 3.20**

| Bit  | Name           | Access | Description  |
|------|----------------|--------|--|
| 15:3 | Reserved       | RO     | Reserved   |
| 2    | 1000BASE-T EEE | RO     | 1: EEE is supported for 1000BASE-T<br>0: EEE is not supported for 1000BASE-T |
| 1    | 100BASE-TX EEE | RO     | 1: EEE is supported for 100BASE-TX<br>0: EEE is not supported for 100BASE-TX |
| 0    | Reserved       | RO     | Reserved   |

## 4.8.4 EEE Wake Error Counter

This register is used by PHY types that support EEE to count wake time faults where the PHY fails to complete its normal wake sequence within the time required for the specific PHY type. The definition of

the fault event to be counted is defined for each PHY and can occur during a refresh or a wakeup as defined by the PHY. This 16-bit counter is reset to all zeros when the EEE wake error counter is read or when the PHY undergoes hardware or software reset.

**Table 131 • EEE Wake Error Counter, Address 3.22**

| Bit  | Name               | Access | Description                         |
|------|--------------------|--------|-------------------------------------|
| 15:0 | Wake error counter | RO     | Count of wake time faults for a PHY |

## 4.8.5 EEE Advertisement

This register defines the EEE advertisement that is sent in the unformatted next page following a EEE technology message code. The following table shows the bit assignments for the EEE advertisement register.

**Table 132 • EEE Advertisement, Address 7.60**

| Bit  | Name           | Access | Description   | Default |
|------|----------------|--------|---|---------|
| 15:3 | Reserved       | RO     | Reserved  |         |
| 2    | 1000BASE-T EEE | R/W    | 1: Advertise that the 1000BASE-T has EEE capability<br>0: Do not advertise that the 1000BASE-T has EEE capability | 0       |
| 1    | 100BASE-TX EEE | R/W    | 1: Advertise that the 100BASE-TX has EEE capability<br>0: Do not advertise that the 100BASE-TX has EEE capability | 0       |
| 0    | Reserved       | RO     | Reserved  |         |

## 4.8.6 EEE Link Partner Advertisement

All the bits in the EEE LP Advertisement register are read only. A write to the EEE LP advertisement register has no effect. When the AN process has been completed, this register will reflect the contents of the link partner's EEE advertisement register. The following table shows the bit assignments for the EEE advertisement register.

**Table 133 • EEE Advertisement, Address 7.61**

| Bit  | Name           | Access | Description  |
|------|----------------|--------|--|
| 15:3 | Reserved       | RO     | Reserved   |
| 2    | 1000BASE-T EEE | RO     | 1: Link partner is advertising EEE capability for 1000BASE-T<br>0: Link partner is not advertising EEE capability for 1000BASE-T |
| 1    | 100BASE-TX EEE | RO     | 1: Link partner is advertising EEE capability for 100BASE-TX<br>0: Link partner is not advertising EEE capability for 100BASE-TX |
| 0    | Reserved       | RO     | Reserved   |

The following table shows the bit assignments for the 802.3bf registers. When the link is down, 0 is the value returned. Register 1.1801 would be device address of 1 and register address of 1801.

**Table 134 • 802.3bf Registers**

| Register | Name                      | Function   |
|----------|---------------------------|--|
| 1.1800   | PMA/PMD Time Sync capable | Bit 1: PMA/PMD Time Sync Tx capable<br>Bit 0: PMA/PMD Time Sync Rx capable |
| 1.1801   | PMA/PMD delay Tx max      | Tx maximum delay through PHY (PMA/PMD/PCS, until block)                    |
| 1.1803   | PMA/PMD delay Tx min      | Tx minimum delay through PHY (PMA/PMD/PCS, until block)                    |
| 1.1805   | PMA/PMD delay Rx max      | Rx maximum delay through PHY (PMA/PMD/PCS, until block)                    |
| 1.1807   | PMA/PMD delay Rx min      | Rx minimum delay through PHY (PMA/PMD/PCS, until block)                    |
| 3.1800   | PCS Time Sync capable     | Bit 1: PCS Time Sync Tx capable<br>bit 0: PCS Time Sync Rx capable         |
| 3.1801   | PCS delay Tx max low      | Tx maximum delay through 1588 lower bits                                   |
| 3.1802   | PCS delay Tx max high     | Tx maximum delay through 1588 upper bits                                   |
| 3.1803   | PCS delay Tx min low      | Tx minimum delay through 1588 lower bits                                   |
| 3.1804   | PCS delay Tx min high     | Tx minimum delay through 1588 upper bits                                   |
| 3.1805   | PCS delay Rx max low      | Rx maximum delay through 1588 lower bits                                   |
| 3.1806   | PCS delay Rx max high     | Rx maximum delay through 1588 upper bits                                   |
| 3.1807   | PCS delay Rx min low      | Rx minimum delay through 1588 lower bits                                   |
| 3.1808   | PCS delay Rx min high     | Rx minimum delay through 1588 upper bits                                   |
| 4.1800   | PHY XS Time Sync capable  | Bit 1: PHY XS Time Sync Tx capable<br>Bit 0: PHY XS Time Sync Rx capable   |
| 4.1801   | PHY XS delay Tx max       | Tx maximum delay through xMII (SGMII, QSGMII, including FIFO variations)   |
| 4.1803   | PHY XS delay Tx min       | Tx minimum delay through xMII (SGMII, QSGMII, including FIFO variations)   |
| 4.1805   | PHY XS delay Rx max       | Rx maximum delay through xMII (SGMII, QSGMII, including FIFO variations)   |
| 4.1807   | PHY XS delay Rx min       | Rx minimum delay through xMII (SGMII, QSGMII, including FIFO variations)   |

## 5 Electrical Specifications

This section provides the DC characteristics, AC characteristics, recommended operating conditions, and stress ratings for the VSC8575-11 device.

### 5.1 DC Characteristics

This section contains the DC specifications for the VSC8575-11 device.

#### 5.1.1 VDD25 and VDDMDIO (2.5 V)

The following table shows the DC specifications for the pins referenced to  $V_{VDD25}$  and  $V_{VDDMDIO}$  when it is set to 2.5 V. The specifications listed in the following table are valid only when  $V_{VDD1} = 1.0$  V,  $V_{VDD1A} = 1.0$  V, and  $V_{VDD25A} = 2.5$  V.

**Table 135 • VDD25 and VDDMDIO**

| Parameter                       | Symbol        | Minimum | Maximum | Unit    | Condition  |
|---------------------------------|---------------|---------|---------|---------|--|
| Output high voltage, LVTTTL     | $V_{OH\_TTL}$ | 2.0     | 2.8     | V       | $I_{OH} = -1$ mA   |
| Output high voltage, open drain | $V_{OH\_OD}$  | 2.0     | 2.8     | V       | $I_{OH} = -100$ $\mu$ A                                      |
| Output low voltage              | $V_{OL}$      | -0.3    | 0.4     | V       | $I_{OL} = 4$ mA  |
| Input high voltage              | $V_{IH}$      | 1.85    | 3.3     | V       | Except SMI pins  |
| Input high voltage              | $V_{IH}$      | 1.88    | 3.3     | V       | SMI pins   |
| Input low voltage               | $V_{IL}$      | -0.3    | 0.7     | V       |  |
| Input leakage current           | $I_{ILEAK}$   | -32     | 32      | $\mu$ A | Internal resistor included (except GPIO, LED, and COMA_MODE) |
| Input leakage current           | $I_{ILEAK}$   | -76     | 32      | $\mu$ A | Internal resistor included (GPIO, LED, and COMA_MODE)        |
| Output leakage current          | $I_{OLEAK}$   | -32     | 32      | $\mu$ A | Internal resistor included (except GPIO, LED, and COMA_MODE) |
| Output leakage current          | $I_{OLEAK}$   | -76     | 32      | $\mu$ A | Internal resistor included (GPIO, LED, and COMA_MODE)        |

#### 5.1.2 VDDMDIO (1.2 V)

The following table shows the DC specifications for the pins referenced to  $V_{VDDMDIO}$  when it is set to 1.2 V. The specifications listed in the following table are valid only when  $V_{VDD1} = 1.0$  V,  $V_{VDD1A} = 1.0$  V,  $V_{VDD25} = 2.5$  V,  $V_{VDD25A} = 2.5$  V, and  $V_{VDDMDIO} = 1.2$  V.

**Table 136 • VDDMDIO**

| Parameter                       | Symbol   | Minimum | Maximum | Unit | Condition               |
|---------------------------------|----------|---------|---------|------|-------------------------|
| Output high voltage, open drain | $V_{OH}$ | 1.0     | 1.5     | V    | $I_{OH} = -100$ $\mu$ A |
| Output low voltage, open drain  | $V_{OL}$ | -0.3    | 0.25    | V    | $I_{OL} = 4$ mA         |
| Input high voltage              | $V_{IH}$ | 0.9     | 1.5     | V    |                         |
| Input low voltage               | $V_{IL}$ | -0.3    | 0.36    | V    |                         |



**Table 136 • VDDMDIO (continued)**

| Parameter              | Symbol      | Minimum | Maximum | Unit    | Condition                  |
|------------------------|-------------|---------|---------|---------|----------------------------|
| Input leakage current  | $I_{LEAK}$  | -32     | 32      | $\mu A$ | Internal resistor included |
| Output leakage current | $I_{OLEAK}$ | -32     | 32      | $\mu A$ | Internal resistor included |

### 5.1.3 Supply Voltage

The following table shows the supply voltage specifications.

**Table 137 • Supply Voltage Specifications**

| Parameter                               | Symbol       | Minimum | Typical | Maximum | Unit |
|---|--------------|---------|---------|---------|------|
| Power supply voltage for digital logic  | $V_{DD1}$    | 0.95    | 1       | 1.05    | V    |
| Power supply voltage for analog logic   | $V_{DD1A}$   | 0.95    | 1       | 1.05    | V    |
| Power supply voltage for digital supply | $V_{DD25}$   | 2.375   | 2.5     | 2.625   | V    |
| Power supply voltage for analog supply  | $V_{DD25A}$  | 2.375   | 2.5     | 2.625   | V    |
| 1.2 V MDIO internal supply              | $V_{DDMDIO}$ | 1.19    | 1.2     | 2.625   | V    |
| 2.5 V MDIO internal supply              | $V_{DDMDIO}$ | 1.19    | 2.5     | 2.625   | V    |

### 5.1.4 LED and GPIO

The following table shows the DC specifications for the LED and GPIO pins.

**Table 138 • LED and GPIO**

| Parameter                                 | Symbol   | Minimum | Maximum | Unit | Condition                                |
|---|----------|---------|---------|------|--|
| Output high voltage for LED pins, LVTTTL  | $V_{OH}$ | 1.7     | 2.8     | V    | $V_{VDD25} = 2.5 V$<br>$I_{OH} = -24 mA$ |
| Output low voltage for LED pins, LVTTTL   | $V_{OL}$ | -0.3    | 0.6     | V    | $V_{VDD25} = 2.5 V$<br>$I_{OL} = 24 mA$  |
| Output high voltage for GPIO pins, LVTTTL | $V_{OH}$ | 1.7     | 2.8     | V    | $V_{VDD25} = 2.5 V$<br>$I_{OH} = -12 mA$ |
| Output low voltage for GPIO pins, LVTTTL  | $V_{OL}$ | -0.3    | 0.6     | V    | $V_{VDD25} = 2.5 V$<br>$I_{OL} = 12 mA$  |

### 5.1.5 Internal Pull-Up or Pull-Down Resistors

Internal pull-up or pull-down resistors are specified in the following table. For more information about signals with internal pull-up or pull-down resistors, see [Pins by Function](#), page 178.

All internal pull-up resistors are connected to their respective I/O supply.

**Table 139 • Internal Pull-Up or Pull-Down Resistors**

| Parameter  | Symbol    | Minimum | Typical | Maximum | Unit      |
|--|-----------|---------|---------|---------|-----------|
| Internal pull-up resistor (GPIO, LED, and COMA_MODE) | $R_{PU1}$ | 33      | 53      | 90      | $k\Omega$ |
| Internal pull-up resistor, all others                | $R_{PU2}$ | 96      | 120     | 144     | $k\Omega$ |
| Internal pull-down resistor                          | $R_{PD}$  | 96      | 120     | 144     | $k\Omega$ |

## 5.1.6 Reference Clock

The following table shows the DC specifications for a differential reference clock input signal.

**Table 140 • Reference Clock DC Characteristics**

| Parameter                               | Symbol           | Minimum          | Typical | Maximum           | Unit     |
|---|------------------|------------------|---------|-------------------|----------|
| Input voltage range                     | $V_{IP}, V_{IN}$ | -25              |         | 1260              | mV       |
| Input differential peak-to-peak voltage | $ V_{ID} $       | 150 <sup>1</sup> |         | 1200              | mV       |
| Input common-mode voltage               | $V_{ICM}$        | 0                |         | 1200 <sup>2</sup> | mV       |
| Differential input impedance            | $R_I$            |                  | 100     |                   | $\Omega$ |

1. To meet jitter specifications, the minimum  $|V_{ID}|$  must be 400 mV. When using a single-ended clock input, the REFCLK\_P low voltage must be less than  $V_{DDA} - 200$  mV, and the high voltage level must be greater than  $V_{DDA} + 200$  mV.
2. The maximum common-mode voltage is provided without a differential signal. The common-mode voltage is only limited by the maximum and minimum input voltage range and by the differential amplitude of the input signal.

## 5.1.7 1588 Reference Clock

The following table shows the DC specifications for a differential 1588 reference clock input signal.

**Table 141 • 1588 Reference Clock DC Characteristics**

| Parameter                               | Symbol           | Minimum | Typical | Maximum           | Unit     |
|---|------------------|---------|---------|-------------------|----------|
| Input voltage range                     | $V_{IP}, V_{IN}$ | -25     |         | 1260              | mV       |
| Input differential peak-to-peak voltage | $ V_{ID} $       | 150     |         | 1200              | mV       |
| Input common-mode voltage               | $V_{ICM}$        | 0       |         | 1200 <sup>1</sup> | mV       |
| Differential input impedance            | $R_I$            |         | 100     |                   | $\Omega$ |

1. The maximum common-mode voltage is provided without a differential signal. The common-mode voltage is only limited by the maximum and minimum input voltage range and by the differential amplitude of the input signal.

## 5.1.8 SerDes Interface (SGMII)

The SerDes output drivers are designed to operate in SGMII/LVDS mode. The SGMII/LVDS mode meets or exceeds the DC requirements of Serial-GMII Specification Revision 1.9 (ENG-46158), unless otherwise noted. The following table lists the DC specifications for the SGMII driver. The values are valid for all configurations, unless stated otherwise.

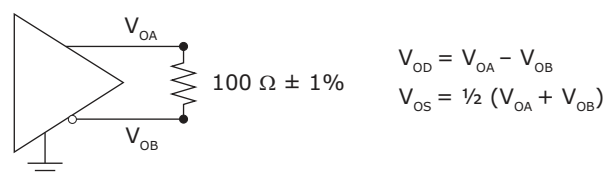
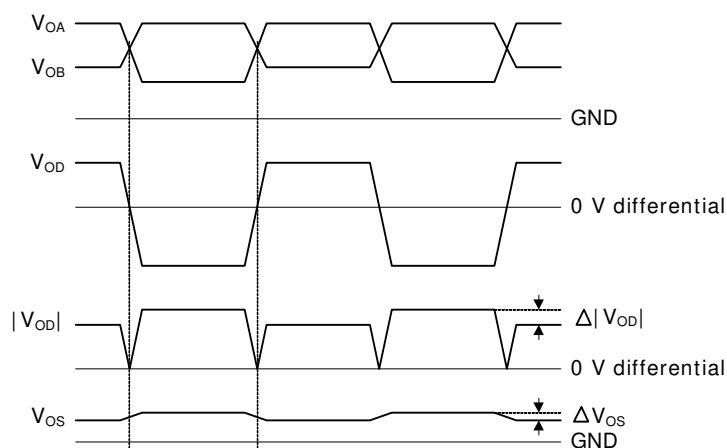
**Table 142 • SerDes Driver DC Specifications**

| Parameter  | Symbol     | Minimum | Maximum | Unit | Condition  |
|--|------------|---------|---------|------|--|
| Output high voltage, $V_{OA}$ or $V_{OB}$                | $V_{OH}$   |         | 1050    | mV   | $R_L = 100 \Omega \pm 1\%$                         |
| Output low voltage, $V_{OA}$ or $V_{OB}$                 | $V_{OL}$   | 0       |         | mV   | $R_L = 100 \Omega \pm 1\%$                         |
| Output differential peak voltage                         | $ V_{OD} $ | 350     | 450     | mV   | $V_{DD\_VS} = 1.0$ V<br>$R_L = 100 \Omega \pm 1\%$ |
| Output differential peak voltage, fiber media 1000BASE-X | $ V_{OD} $ | 350     | 450     | mV   | $V_{DD\_VS} = 1.0$ V<br>$R_L = 100 \Omega \pm 1\%$ |
| Output offset voltage <sup>1</sup>                       | $V_{OS}$   | 420     | 580     | mV   | $V_{DD\_VS} = 1.0$ V<br>$R_L = 100 \Omega \pm 1\%$ |

**Table 142 • SerDes Driver DC Specifications (continued)**

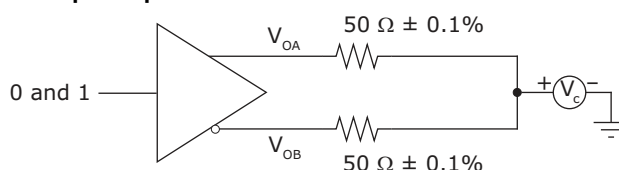
| Parameter   | Symbol                       | Minimum | Maximum | Unit     | Condition  |
|---|------------------------------|---------|---------|----------|--|
| DC output impedance, differential                       | $R_O$                        | 80      | 140     | $\Omega$ | $V_C = 1.0\text{ V}$<br>See Figure 88,<br>page 157 |
| $R_O$ mismatch between A and B, SGMII mode <sup>2</sup> | $\Delta R_O$                 |         | 10      | %        | $V_C = 1.0\text{ V}$<br>See Figure 88,<br>page 157 |
| Change in $ V_{OD} $ between 0 and 1, SGMII mode        | $\Delta V_{OD} $             |         | 25      | mV       | $R_L = 100\ \Omega \pm 1\%$                        |
| Change in $V_{OS}$ between 0 and 1, SGMII mode          | $\Delta V_{OS}$              |         | 25      | mV       | $R_L = 100\ \Omega \pm 1\%$                        |
| Output current, driver shorted to GND, SGMII mode       | $ I_{OSA} $ ,<br>$ I_{OSB} $ |         | 40      | mA       |  |
| Output current, drivers shorted together, SGMII mode    | $ I_{OSAB} $                 |         | 12      | mA       |  |

- Requires AC-coupling for SGMII compliance.
- Matching of reflection coefficients. For more information about test methods, see IEEE Std 1596.3-1996.

**Figure 86 • SGMII DC Transmit Test Circuit****Figure 87 • SGMII DC Definitions**

$$\Delta|V_{OD}| = | |V_{OAH} - V_{OBL}| - |V_{OBH} - V_{OAL}| |$$

$$\Delta V_{OS} = | \frac{1}{2}(V_{OAH} + V_{OBL}) - \frac{1}{2}(V_{OAL} + V_{OBH}) |$$

**Figure 88 • SGMII DC Driver Output Impedance Test Circuit**

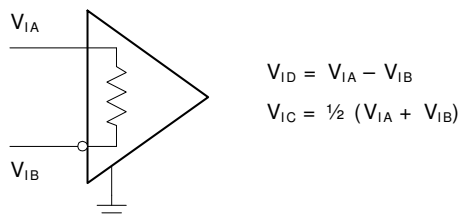
The following table lists the DC specifications for the SGMII receivers.

**Table 143 • SerDes Receiver DC Specifications**

| Parameter                                 | Symbol     | Minimum | Maximum                  | Unit     | Condition                       |
|---|------------|---------|--------------------------|----------|---------------------------------|
| Input voltage range, $V_{IA}$ or $V_{IB}$ | $V_I$      | -25     | 1250                     | mV       |                                 |
| Input differential peak voltage           | $ V_{ID} $ | 50      | 1000                     | mV       |                                 |
| Input common-mode voltage <sup>1</sup>    | $V_{ICM}$  | 0       | $V_{DD\_A}$ <sup>2</sup> | mV       | Without any differential signal |
| Receiver differential input impedance     | $R_I$      | 80      | 120                      | $\Omega$ |                                 |
| Input differential hysteresis, SGMII mode | $V_{HYST}$ | 25      |                          | mV       |                                 |

1. SGMII compliancy requires external AC-coupling. When interfacing with specific Microsemi devices, DC-coupling is possible. For more information, contact your local Microsemi sales representative.
2. The common-mode voltage is only limited by the maximum and minimum input voltage range and the input signal's differential amplitude.

**Figure 89 • SGMII DC Input Definitions**



## 5.1.9 Enhanced SerDes Interface (QSGMII)

All DC specifications for the enhanced SerDes interface operating in QSGMII mode meet or exceed the requirements specified for CEI-6G-SR according to OIF-CEI-02.0 requirements where applicable.

The enhanced SerDes interface supports the following operating modes: SGMII, QSGMII, and SFP. The following table shows the DC specifications for the enhanced SerDes driver.

**Table 144 • Enhanced SerDes Driver DC Specifications**

| Parameter   | Symbol      | Minimum      | Typical | Maximum       | Unit     | Condition   |
|---|-------------|--------------|---------|---------------|----------|---|
| Signaling speed   | $T_{BAUD}$  | 5.0 -100 ppm |         | 5.0 + 100 ppm | Gbps     | Signaling speed   |
| Differential peak-to-peak output voltage                  | $V_{OD}$    |              |         | 30            | mV       | Tx disabled   |
| Differential peak output voltage, SFP mode                | $ V_{ODp} $ | 250          |         | 400           | mV       | $V_{DD\_VS} = 1.0\text{ V}$<br>$R_L = 100\ \Omega \pm 1\%$<br>maximum drive |
| Differential peak output voltage, QSGMII mode             | $ V_{ODp} $ | 400          |         | 900           | mV       |   |
| Differential peak output voltage, SGMII mode <sup>1</sup> | $ V_{ODp} $ | 150          |         | 400           | mV       | $V_{DD\_VS} = 1.0\text{ V}$<br>$R_L = 100\ \Omega \pm 1\%$                  |
| DC output impedance, differential                         | $R_O$       | 80           | 100     | 140           | $\Omega$ | $V_C = 1.0\text{ V}$<br>See Figure 88, page 157                             |

**Table 144 • Enhanced SerDes Driver DC Specifications (continued)**

| Parameter   | Symbol                       | Minimum | Typical | Maximum | Unit | Condition  |
|---|------------------------------|---------|---------|---------|------|--|
| $R_O$ mismatch between A and B, SGMII mode <sup>2</sup>           | $\Delta R_O$                 |         |         | 10      | %    | $V_C = 1.0\text{ V}$<br>See Figure 88,<br>page 157 |
| Change in $ V_{OD} $ between 0 and 1, SGMII mode                  | $\Delta V_{OD} $             |         |         | 25      | mV   | $R_L = 100\ \Omega \pm 1\%$                        |
| Change in $V_{OS}$ between 0 and 1, SGMII mode                    | $\Delta V_{OS} $             |         |         | 25      | mV   | $R_L = 100\ \Omega \pm 1\%$                        |
| Output current, drivers shorted to ground, SGMII and QSGMII modes | $ I_{OSA} $ ,<br>$ I_{OSB} $ |         |         | 40      | mA   |  |
| Output current, drivers shorted together, SGMII and QSGMII modes  | $ I_{OSAB} $                 |         |         | 12      | mA   |  |

1. Voltage is adjustable in 64 steps.
2. Matching of reflection coefficients. For more information about test methods, see IEEE Std 1596.3-1996.

The following table lists the DC specifications for the enhanced SerDes receiver.

**Table 145 • Enhanced SerDes Receiver DC Specifications**

| Parameter                                 | Symbol     | Minimum         | Typical   | Maximum         | Unit     | Condition                |
|---|------------|-----------------|-----------|-----------------|----------|--------------------------|
| Input voltage range, $V_{IA}$ or $V_{IB}$ | $V_I$      | -0.25           |           | 1.20            | V        |                          |
| Input differential peak-to-peak voltage   | $ V_{ID} $ | 100             |           | 1600            | mV       |                          |
| Input common-mode voltage                 | $V_{ICM}$  | $V_{DDA} - 100$ | $V_{DDA}$ | $V_{DDA} + 100$ | mV       | Load-type 2 (DC-coupled) |
| Receiver differential input impedance     | $R_I$      | 80              | 100       | 120             | $\Omega$ |                          |

### 5.1.10 Current Consumption

The following table shows the estimated current consumption values for each mode, assuming the 1588 functions are disabled. Add significant margin above the values for sizing power supplies. Add values from tables for the 1588 blocks to calculate total typical and maximum current for each power supply with those functions enabled.

**Table 146 • Current Consumption (1588 Disabled)**

| Mode       | Typical     |            |               |              | Maximum     |            |               |              | Unit | Condition    |
|------------|-------------|------------|---------------|--------------|-------------|------------|---------------|--------------|------|--------------|
|            | 1 V Digital | 1 V Analog | 2.5 V Digital | 2.5 V Analog | 1 V Digital | 1 V Analog | 2.5 V Digital | 2.5 V Analog |      |              |
| Reset      | 105         | 130        | 9             | 2            | 910         | 190        | 11            | 4            | mA   |              |
| Power down | 175         | 200        | 9             | 21           | 1015        | 260        | 11            | 23           | mA   |              |
| 1000BASE-T | 460         | 230        | 10            | 445          | 1890        | 270        | 15            | 500          | mA   | 4-port SGMII |
| 100BASE-TX | 255         | 215        | 10            | 290          | 1525        | 245        | 15            | 310          | mA   | 4-port SGMII |
| 10BASE-T   | 200         | 210        | 10            | 230          | 1420        | 240        | 15            | 245          | mA   | 4-port SGMII |
| 10BASE-Te  | 200         | 210        | 10            | 215          | 1420        | 240        | 15            | 210          | mA   | 4-port SGMII |

**Table 146 • Current Consumption (1588 Disabled) (continued)**

| Mode       | Typical     |            |               |              | Maximum     |            |               |              | Unit | Condition     |
|------------|-------------|------------|---------------|--------------|-------------|------------|---------------|--------------|------|---------------|
|            | 1 V Digital | 1 V Analog | 2.5 V Digital | 2.5 V Analog | 1 V Digital | 1 V Analog | 2.5 V Digital | 2.5 V Analog |      |               |
| 1000BASE-X | 225         | 275        | 10            | 21           | 1430        | 300        | 15            | 25           | mA   | 4-port SGMII  |
| 100BASE-FX | 200         | 270        | 10            | 21           | 1400        | 290        | 15            | 25           | mA   | 4-port SGMII  |
| 1000BASE-T | 450         | 185        | 10            | 445          | 1885        | 225        | 15            | 515          | mA   | 4-port QSGMII |
| 100BASE-TX | 250         | 165        | 9             | 290          | 1520        | 200        | 15            | 325          | mA   | 4-port QSGMII |
| 10BASE-T   | 200         | 165        | 10            | 230          | 1415        | 195        | 15            | 260          | mA   | 4-port QSGMII |
| 10BASE-Te  | 195         | 165        | 10            | 215          | 1415        | 195        | 15            | 225          | mA   | 4-port QSGMII |
| 1000BASE-X | 225         | 230        | 11            | 21           | 1425        | 255        | 15            | 40           | mA   | 4-port QSGMII |
| 100BASE-FX | 200         | 225        | 10            | 22           | 1395        | 245        | 15            | 40           | mA   | 4-port QSGMII |

The following tables show the 1588 current consumption values for each mode.

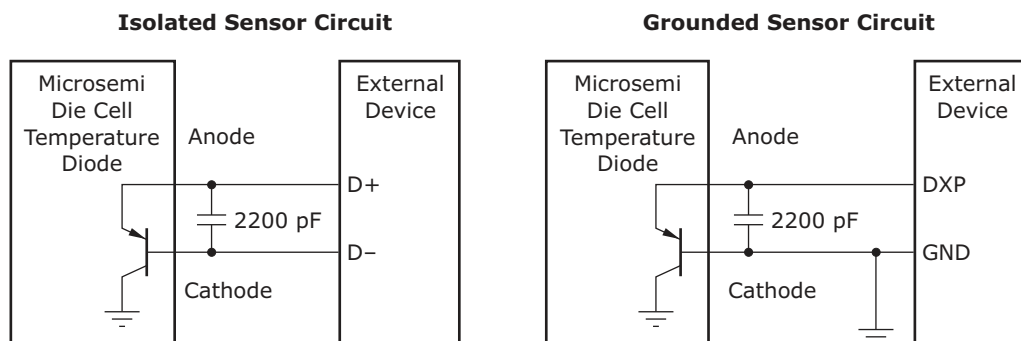
**Table 147 • 1588 Current Consumption**

| Mode       | 1 V Digital | Unit | Condition           |
|------------|-------------|------|---------------------|
| 1000BASE-T | 80          | mA   | 4-port SGMII/QSGMII |
| 100BASE-TX | 50          | mA   | 4-port SGMII/QSGMII |
| 10BASE-T   | 50          | mA   | 4-port SGMII/QSGMII |
| 10BASE-Te  | 50          | mA   | 4-port SGMII/QSGMII |
| 1000BASE-X | 80          | mA   | 4-port SGMII/QSGMII |
| 100BASE-FX | 35          | mA   | 4-port SGMII/QSGMII |

### 5.1.11 Thermal Diode

The VSC8575-11 device includes an on-die diode and internal circuitry for monitoring die temperature (junction temperature). The operation and accuracy of the diode is not guaranteed and should only be used as a reference.

The on-die thermal diode requires an external thermal sensor, located on the board or in a stand-alone measurement kit. Temperature measurement using a thermal diode is very sensitive to noise. The following illustration shows a generic application design.

**Figure 90 • Thermal Diode**

**Note:** Microsemi does not support or recommend operation of the thermal diode under reverse bias.

The following table provides the diode parameter and interface specifications with the pins connected internally to VSS in the device.

**Table 148 • Thermal Diode Parameters**

| Parameter             | Symbol   | Typical               | Maximum | Unit |
|-----------------------|----------|-----------------------|---------|------|
| Forward bias current  | $I_{FW}$ | See note <sup>1</sup> | 1       | mA   |
| Diode ideality factor | n        | 1.008                 |         |      |

1. Typical value is device dependent.

The ideality factor, n, represents the deviation from ideal diode behavior as exemplified by the diode equation.

$$I_{FW} = I_S \times \left( e^{\frac{V_d \times q}{nkT}} - 1 \right)$$

where,  $I_S$  = saturation current,  $q$  = electron charge,  $V_d$  = voltage across the diode,  $k$  = Boltzmann Constant, and  $T$  = absolute temperature (Kelvin).

## 5.2 AC Characteristics

This section provides the AC specifications for the VSC8575-11 device.

### 5.2.1 Reference Clock

The following table shows the AC specifications for a 125 MHz differential reference clock source. Performance is guaranteed for 125 MHz differential clocks only; however, 125 MHz single-ended clocks are also supported for QSGMII interfaces.

25 MHz clock implementations are available but are limited to SGMII interfaces. For more information, contact your Microsemi representative.

**Table 149 • Reference Clock AC Characteristics for QSGMII 125 MHz Differential Clock**

| Parameter  | Symbol     | Minimum | Typical | Maximum | Unit | Condition   |
|--|------------|---------|---------|---------|------|---|
| Reference clock frequency, REFCLK_SEL2 = 1   | $f$        |         | 125.00  |         | MHz  | $\pm 100$ ppm<br>Jitter < 1 ps RMS                        |
| Duty cycle   | DC         | 40      | 50      | 60      | %    |   |
| Rise time and fall time  | $t_R, t_F$ |         |         | 1.5     | ns   | 20% to 80% threshold                                      |
| RefClk input RMS jitter requirement, bandwidth between 12 kHz and 500 kHz <sup>1</sup> |            |         |         | 20      | ps   | Meets jitter generation of 1G output data per IEEE 802.3z |
| RefClk input RMS jitter requirement, bandwidth between 500 kHz and 15 MHz <sup>1</sup> |            |         |         | 4       | ps   | Meets jitter generation of 1G output data per IEEE 802.3z |
| RefClk input RMS jitter requirement, bandwidth between 15 MHz and 40 MHz <sup>1</sup>  |            |         |         | 20      | ps   | Meets jitter generation of 1G output data per IEEE 802.3z |

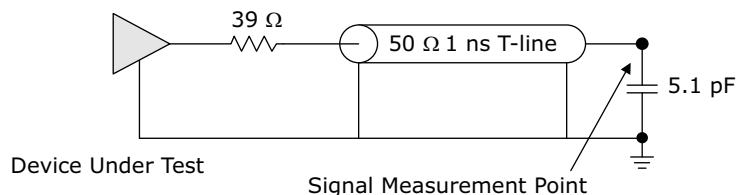
**Table 149 • Reference Clock AC Characteristics for QSGMII 125 MHz Differential Clock (continued)**

| Parameter   | Symbol | Minimum              | Typical | Maximum              | Unit | Condition   |
|---|--------|----------------------|---------|----------------------|------|---|
| RefClk input RMS jitter requirement, bandwidth between 40 MHz and 80 MHz <sup>1</sup> |        |                      |         | 100                  | ps   | Meets jitter generation of 1G output data per IEEE 802.3z |
| Jitter gain from RefClk to SerDes output, bandwidth between 0.1 MHz and 0.1 MHz       |        |                      |         | 0.3                  | dB   |   |
| Jitter gain from RefClk to SerDes output, bandwidth between 0.1 MHz and 7 MHz         |        |                      | 1       | 3                    | dB   |   |
| Jitter gain from RefClk to SerDes output, bandwidth above 7 MHz                       |        | 1–20 × log (f/7 MHz) |         | 3–20 × log (f/7 MHz) | dB   |   |

1. Maximum RMS sinusoidal jitter allowed at the RefClk input when swept through the given bandwidth.

## 5.2.2 Recovered Clock

This section provides the AC characteristics for the recovered clock output signals. The following illustration shows the test circuit for the recovered clock output signals.

**Figure 91 • Test Circuit for Recovered Clock Output Signals**

The following table shows the AC specifications for the RCVRDCLK1 and RCVRDCLK2 outputs.

**Table 150 • Recovered Clock AC Characteristics**

| Parameter                     | Symbol     | Minimum | Typical | Maximum | Unit | Condition  |
|-------------------------------|------------|---------|---------|---------|------|------------|
| Recovered clock frequency     | $f$        |         | 125.00  |         | MHz  |            |
| Recovered clock frequency     | $f$        |         | 31.25   |         | MHz  |            |
| Recovered clock frequency     | $f$        |         | 25.00   |         | MHz  |            |
| Recovered clock cycle time    | $t_{RCYC}$ |         | 8.0     |         | ns   |            |
| Recovered clock cycle time    | $t_{RCYC}$ |         | 32.0    |         | ns   |            |
| Recovered clock cycle time    | $t_{RCYC}$ |         | 40.0    |         | ns   |            |
| Duty cycle                    | DC         | 45      | 50      | 55      | %    |            |
| Clock rise time and fall time | $t_R, t_F$ |         |         | 1.0     | ns   | 20% to 80% |



**Table 150 • Recovered Clock AC Characteristics (continued)**

| Parameter  | Symbol            | Minimum | Typical | Maximum | Unit | Condition   |
|--|-------------------|---------|---------|---------|------|-------------|
| Peak-to-peak jitter, copper media interface, 1000BASE-T slave mode | $JPP_{CLK\_Cu}$   |         |         | 400     | ps   | 10k samples |
| Peak-to-peak jitter, fiber media interface, 100BASE-FX             | $JPP_{CLK\_FiFX}$ |         |         | 1.2     | ns   | 10k samples |
| Peak-to-peak jitter, fiber media interface, 1000BASE-X             | $JPP_{CLK\_FiX}$  |         |         | 200     | ps   | 10k samples |

## 5.2.3 SerDes Outputs

The values listed in the following table are valid for all configurations, unless otherwise noted.

**Table 151 • SerDes Outputs AC Specifications**

| Parameter  | Symbol         | Minimum                                  | Maximum  | Unit | Condition  |
|--|----------------|--|----------|------|--|
| $V_{OD}$ ringing compared to $V_S$ , SGMII mode      | $V_{RING}$     |  | $\pm 10$ | %    | $RL = 100 \Omega \pm 1\%$                        |
| $V_{OD}$ rise time and fall time, SGMII mode         | $t_R, t_F$     | 100                                      | 200      | ps   | 20% to 80% of $V_S$<br>$RL = 100 \Omega \pm 1\%$ |
| Differential peak-to-peak output voltage             | $V_{OD}$       |  | 30       | mV   | Tx disabled                                      |
| Differential output return loss, 50 MHz to 625 MHz   | $R_{LO\_DIFF}$ | $\geq 10$                                |          | dB   | $RL = 100 \Omega \pm 1\%$                        |
| Differential output return loss, 625 MHz to 1250 MHz | $R_{LO\_DIFF}$ | $10 - 10 \times \log(f/625 \text{ MHz})$ |          | dB   | $RL = 100 \Omega \pm 1\%$                        |
| Common-mode return loss, 50 MHz to 625 MHz           | $RL_{OCM}$     | 6  |          | dB   |  |
| Interpair skew, SGMII mode                           | $t_{SKEW}$     |  | 20       | ps   |  |

## 5.2.4 SerDes Driver Jitter

The following table lists the jitter characteristics for the SerDes output driver.

**Table 152 • SerDes Driver Jitter Characteristics**

| Parameter            | Symbol | Maximum | Unit | Condition                             |
|----------------------|--------|---------|------|---------------------------------------|
| Total jitter         | $TJ_O$ | 192     | ps   | Measured according to IEEE 802.3.38.5 |
| Deterministic jitter | $DJ_O$ | 80      | ps   | Measured according to IEEE 802.3.38.5 |

## 5.2.5 SerDes Inputs

The following table lists the AC specifications for the SerDes inputs.

**Table 153 • SerDes Input AC Specifications**

| Parameter   | Maximum                                  | Unit | Condition                   |
|---|--|------|-----------------------------|
| Differential input return loss, 50 MHz to 625 MHz   | $\geq 10$                                | dB   | RL = 100 $\Omega$ $\pm 1\%$ |
| Differential input return loss, 625 MHz to 1250 MHz | $10 - 10 \times \log(f/625 \text{ MHz})$ | dB   | RL = 100 $\Omega$ $\pm 1\%$ |

## 5.2.6 SerDes Receiver Jitter Tolerance

The following table lists jitter tolerances for the SerDes receiver.

**Table 154 • SerDes Receiver Jitter Tolerance**

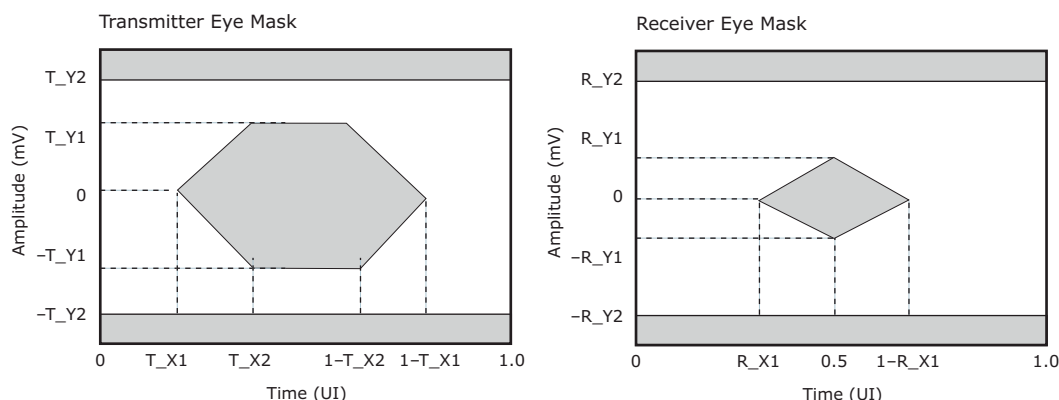
| Parameter  | Symbol           | Minimum | Unit | Condition                                 |
|--|------------------|---------|------|---|
| Total jitter tolerance, greater than 637 kHz, SFP mode         | TJT <sub>I</sub> | 600     | ps   | Measured according to IEEE 802.3 38.6.8   |
| Deterministic jitter tolerance, greater than 637 kHz, SFP mode | DJT <sub>I</sub> | 370     | ps   | Measured according to IEEE 802.3 38.6.8   |
| Cycle distortion jitter tolerance, 100BASE-FX mode             | JT <sub>CD</sub> | 1.4     | ns   | Measured according to ISO/IEC 9314-3:1990 |
| Data-dependent jitter tolerance, 100BASE-FX mode               | DDJ              | 2.2     | ns   | Measured according to ISO/IEC 9314-3:1990 |
| Random peak-to-peak jitter tolerance, 100BASE-FX mode          | RJT              | 2.27    | ns   | Measured according to ISO/IEC 9314-3:1990 |

## 5.2.7 Enhanced SerDes Interface

All AC specifications for the enhanced SerDes interface are compliant with QSGMII Specification Revision 1.3 and meet or exceed the requirements in the standard. They are also compliant with the OIF-CEI-02.0 requirements where applicable.

The enhanced SerDes interface supports the following modes of operation: SGMII, QSGMII, and SFP. The values in the tables in the following sections apply to the QSGMII modes listed in the condition column and are based on the test circuit shown in [Figure 86](#), page 157. The transmit and receive eye specifications relate to the eye diagrams shown in the following illustration, with the compliance load as defined in the test circuit.

**Figure 92 • QSGMII Transient Parameters**



### 5.2.7.1 Enhanced SerDes Outputs

The following table provides the AC specifications for the enhanced SerDes outputs in SGMII mode.

**Table 155 • Enhanced SerDes Outputs AC Specifications, SGMII Mode**

| Parameter  | Symbol         | Minimum                                  | Maximum  | Unit | Condition   |
|--|----------------|--|----------|------|---|
| Unit interval, 1.25G mode                            | UI             |  |          |      | 800 ps  |
| $V_{OD}$ ringing compared to $V_S$                   | $V_{RING}$     |  | $\pm 10$ | %    | $R_L = 100 \Omega \pm 1\%$                        |
| $V_{OD}$ rise time and fall time                     | $t_R, t_F$     | 100                                      | 200      | ps   | 20% to 80% of $V_S$<br>$R_L = 100 \Omega \pm 1\%$ |
| Differential output return loss, 50 MHz to 625 MHz   | $RL_{O\_DIFF}$ | $\geq 10$                                |          | dB   | $R_L = 100 \Omega \pm 1\%$                        |
| Differential output return loss, 625 MHz to 1250 MHz | $RL_{O\_DIFF}$ | $10 - 10 \times \log(f/625 \text{ MHz})$ |          | dB   | $R_L = 100 \Omega \pm 1\%$                        |
| Common-mode return loss, 50 MHz to 625 MHz           | $RL_{OCM}$     | 6  |          | dB   |   |
| Intrapair skew                                       | $t_{SKEW}$     |  | 20       | ps   |   |

The enhanced SerDes transmitter operating in QSGMII mode complies with the AC characteristics specified for CEI-6G-SR interfaces according to OIF-CEI-02.0 with some modifications as specified by Cisco's QSGMII specification.

**Table 156 • Enhanced SerDes Outputs AC Specifications, QSGMII Mode**

| Parameter                             | Symbol           | Minimum                       | Maximum       | Unit              | Condition  |
|---------------------------------------|------------------|-------------------------------|---------------|-------------------|--|
| Signaling speed                       | $T_{BAUD}$       | 5.0 – 100 ppm                 | 5.0 + 100 ppm | Gbps              |  |
| Differential output return loss       | $RLO_{SDD22}$    | 8                             |               | dB                | 100 MHz to 2.5 GHz<br>$R_L = 100 \Omega \pm 1\%$ |
| Differential output return loss       | $RLO_{SDD22}$    | $8 - 16.6 \times \log(f/2.5)$ |               | dB                | 2.5 GHz to 5 GHz<br>$R_L = 100 \Omega \pm 1\%$   |
| Common-mode output return loss        | $RLO_{CM}$       | 6                             |               | dB                | 100 MHz to 2.5 GHz<br>$R_L = 100 \Omega \pm 1\%$ |
| Transition time                       | $t_{TR}, t_{TF}$ | 30                            |               | ps                | 20% to 80%                                       |
| Random jitter                         | RJ               |                               | 0.15          | UI <sub>P,P</sub> |  |
| Deterministic jitter                  | DJ               |                               | 0.15          | UI <sub>P,P</sub> | Measured according to OIF-CEI-02.0/CEI-6G-SR.    |
| Duty cycle of distortion (part of DJ) | DCD              |                               | 0.05          | UI <sub>P,P</sub> |  |
| Total jitter                          | TJ               |                               | 0.30          | UI <sub>P,P</sub> | Measured according to OIF-CEI-02.0/CEI-6G-SR.    |
| Eye mask X1                           | X1               |                               | 0.15          | UI <sub>P,P</sub> | Near-end   |
| Eye mask X2                           | X2               |                               | 0.40          | UI <sub>P,P</sub> | Near-end   |
| Eye mask Y1                           | Y1               | 200                           |               | mV                | Near-end   |
| Eye mask Y2                           | Y2               |                               | 450           | mV                | Near-end   |

### 5.2.7.2 Enhanced SerDes Inputs

The enhanced SerDes operating in QSGMII mode complies to the AC characteristics as specified for CEI-6G-SR interfaces according to OIF-CEI-02.0 with some modifications as specified by Cisco's

QSGMII specification. The following table lists the AC specifications for the enhanced SerDes inputs in SGMII mode.

**Table 157 • Enhanced SerDes Input AC Specifications, SGMII Mode**

| Parameter   | Symbol         | Minimum | Unit | Condition                  |
|---|----------------|---------|------|----------------------------|
| Unit interval, 1.25G                              | UI             |         | ps   | 800 ps                     |
| Differential input return loss, 50 MHz to 625 MHz | $RL_{L\_DIFF}$ | 10      | dB   | $R_L = 100 \Omega \pm 1\%$ |
| Common-mode input return loss, 50 MHz to 625 MHz  | $RL_{ICM}$     | 6       | dB   |                            |

The following table lists the AC specifications for the enhanced SerDes inputs in QSGMII mode.

**Table 158 • Enhanced SerDes Inputs AC Specifications, QSGMII Mode**

| Parameter                       | Symbol        | Minimum             | Maximum       | Unit              | Condition  |
|---------------------------------|---------------|---------------------|---------------|-------------------|--|
| Signaling speed                 | $T_{BAUD}$    | 5.0 – 100 ppm       | 5.0 + 100 ppm | Gbps              |  |
| Differential input return loss  | $RL_{ISDD11}$ | 8                   |               | dB                | 100 MHz to 2.5 GHz   |
| Differential input return loss  | $RL_{ISDD11}$ | 8-16.6 x log(f/2.5) |               | dB                | 2.5 GHz to 5 GHz   |
| Common-mode input return loss   | $RL_{SCC11}$  | 6                   |               | dB                | 100 MHz to 2.5 GHz   |
| Bounded high-probability jitter | RBHPJ         |                     | 0.45          | UI <sub>P-P</sub> | Uncorrelated bounded high-probability jitter (0.15 UI) + correlated bounded high-probability jitter (0.3 UI) |
| Sinusoidal jitter max           | $SJ_{MAX}$    |                     | 5             | UI <sub>P-P</sub> |  |
| Sinusoidal jitter, HF           | $SJ_{HF}$     |                     | 0.05          | UI <sub>P-P</sub> |  |
| Total jitter                    | TJ            |                     | 0.60          | UI <sub>P-P</sub> | Does not include sinusoidal jitter, link operates at BER of $10^{-15}$                                       |
| Eye mask X1                     | $R\_X1$       |                     | 0.30          | UI <sub>P-P</sub> |  |
| Eye mask Y1                     | $R\_Y1$       |                     | 50            | mV                |  |
| Eye mask Y2                     | $R\_Y2$       |                     | 450           | mV                |  |

### 5.2.7.3 Enhanced SerDes Receiver Jitter Tolerance

The following table lists the jitter tolerance for the enhanced SerDes receiver in QSGMII mode.

**Table 159 • Enhanced SerDes Receiver Jitter Tolerance**

| Parameter  | Symbol    | Minimum | Unit | Condition                                 |
|--|-----------|---------|------|---|
| Total jitter tolerance, greater than 637 kHz, SFP mode         | $TJT_1$   | 600     | ps   | Measured according to IEEE 802.3 38.6.8   |
| Deterministic jitter tolerance, greater than 637 kHz, SFP mode | $DJT_1$   | 370     | ps   | Measured according to IEEE 802.3 38.6.8   |
| Cycle distortion jitter tolerance, 100BASE-FX mode             | $JT_{CD}$ | 1.4     | ns   | Measured according to ISO/IEC 9314-3:1990 |
| Data-dependent jitter tolerance, 100BASE-FX mode               | DDJ       | 2.2     | ns   | Measured according to ISO/IEC 9314-3:1990 |

**Table 159 • Enhanced SerDes Receiver Jitter Tolerance (continued)**

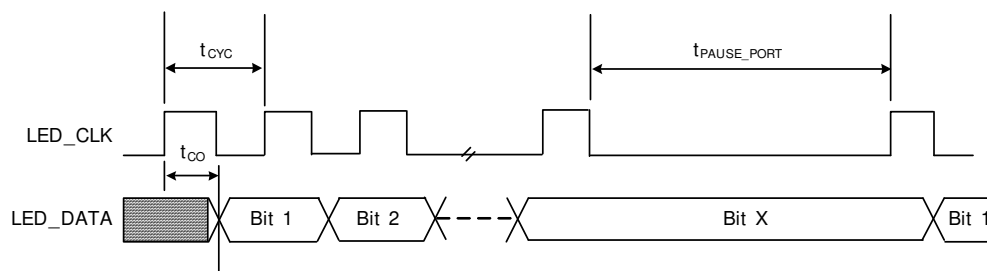
| Parameter   | Symbol | Minimum | Unit | Condition                                 |
|---|--------|---------|------|---|
| Random peak-to-peak jitter tolerance, 100BASE-FX mode | RJT    | 2.27    | ns   | Measured according to ISO/IEC 9314-3:1990 |

## 5.2.8 Basic Serial LEDs

This section contains the AC specifications for the basic serial LEDs.

**Table 160 • Basic Serial LEDs AC Characteristics**

| Parameter                        | Symbol            | Typical   | Unit |
|----------------------------------|-------------------|-----------|------|
| LED_CLK cycle time               | $t_{CYC}$         | 1024      | ns   |
| Pause between LED port sequences | $t_{PAUSE\_PORT}$ | 3072      | ns   |
| Pause between LED bit sequences  | $t_{PAUSE\_BIT}$  | 25.541632 | ms   |
| LED_CLK to LED_DATA              | $t_{CO}$          | 1         | ns   |

**Figure 93 • Basic Serial LED Timing**

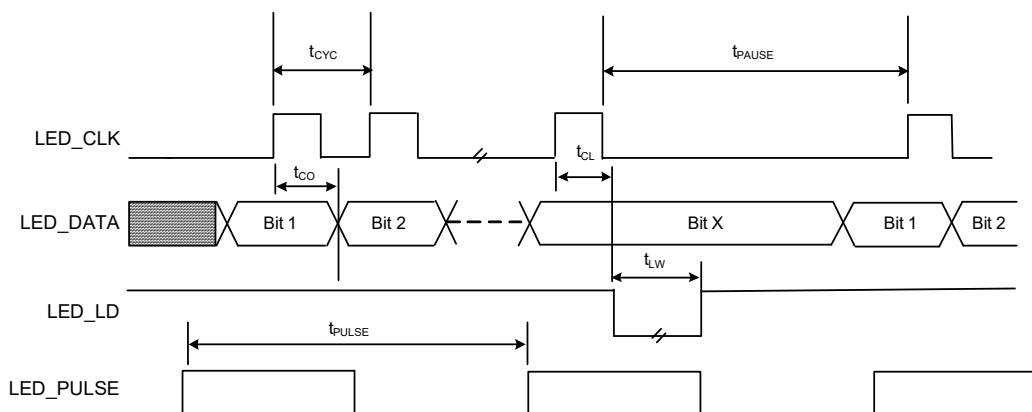
## 5.2.9 Enhanced Serial LEDs

This section contains the AC specifications for the enhanced serial LEDs. The duty cycle of the LED\_PULSE signal is programmable and can be varied between 0.5% and 99.5%.

**Table 161 • Enhanced Serial LEDs AC Characteristics**

| Parameter                            | Symbol      | Minimum | Typical | Maximum | Unit    |
|--------------------------------------|-------------|---------|---------|---------|---------|
| LED_CLK cycle time                   | $t_{CYC}$   |         | 256     |         | ns      |
| Pause between LED_DATA bit sequences | $t_{PAUSE}$ | 0.396   |         | 24.996  | ms      |
| LED_CLK to LED_DATA                  | $t_{CO}$    |         | 127     |         | ns      |
| LED_CLK to LED_LD                    | $t_{CL}$    |         | 256     |         | ns      |
| LED_LD pulse width                   | $t_{LW}$    |         | 128     |         | ns      |
| LED_PULSE cycle time                 | $t_{PULSE}$ | 199     |         | 201     | $\mu$ s |

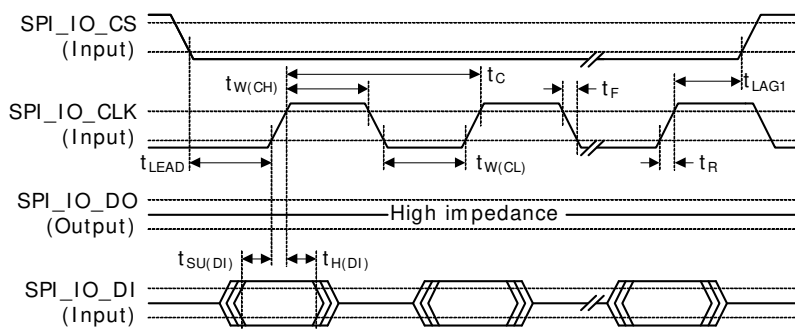
**Figure 94 • Enhanced Serial LED Timing**



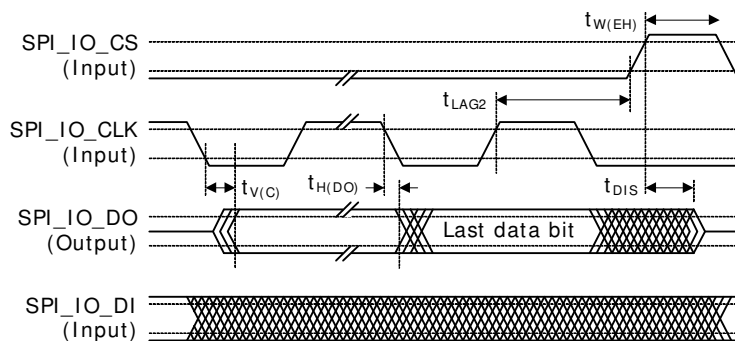
### 5.2.10 Serial CPU Interface (SI) for Slave Mode

All serial CPU interface (SI) slave mode timing requirements are specified relative to the input low and input high threshold levels. The following illustrations show the timing parameters and measurement points for SI input and output data.

**Figure 95 • SI Input Data Timing Diagram for Slave Mode**



**Figure 96 • SI Output Data Timing Diagram for Slave Mode**



All SI signals comply with the specifications shown in the following table. The SI input timing requirements are requested at the pins of the device.

**Table 162 • SI Timing Specifications for Slave Mode**

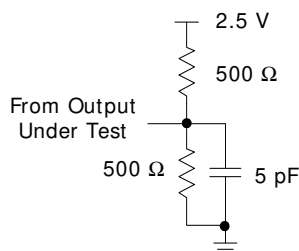
| Parameter        | Symbol | Minimum | Maximum | Unit | Condition |
|------------------|--------|---------|---------|------|-----------|
| Clock frequency  | $f$    |         | 25      | MHz  |           |
| Clock cycle time | $t_C$  | 40      |         | ns   |           |

**Table 162 • SI Timing Specifications for Slave Mode (continued)**

| Parameter  | Symbol       | Minimum                 | Maximum | Unit | Condition                               |
|--|--------------|-------------------------|---------|------|---|
| Clock time high  | $t_{W(CH)}$  | 16                      |         | ns   |   |
| Clock time low   | $t_{W(CL)}$  | 16                      |         | ns   |   |
| Clock rise time and fall time                          | $t_R, t_F$   |                         | 10      | ns   | Between $V_{IL(MAX)}$ and $V_{IH(MIN)}$ |
| DI setup time to clock                                 | $t_{SU(DI)}$ | 4                       |         | ns   |   |
| DI hold time from clock                                | $t_{H(DI)}$  | 4                       |         | ns   |   |
| Enable active before first clock                       | $t_{LEAD}$   | 10                      |         | ns   |   |
| Enable inactive after clock (input cycle) <sup>1</sup> | $t_{LAG1}$   | 25                      |         | ns   |   |
| Enable inactive after clock (output cycle)             | $t_{LAG2}$   | See note <sup>(2)</sup> |         | ns   |   |
| Enable inactive width                                  | $t_{W(EH)}$  | 20                      |         | ns   |   |
| DO valid after clock                                   | $t_{V(C)}$   |                         | 20      | ns   | $C_L = 30 \text{ pF}$                   |
| DO hold time from clock                                | $t_{H(DO)}$  | 0                       |         | ns   | $C_L = 0 \text{ pF}$                    |
| DO disable time <sup>3</sup>                           | $t_{DIS}$    |                         | 15      | ns   | See the following illustration          |

- $t_{LAG1}$  is defined only for write operations to the device, not for read operations.
- The last rising edge on the clock is necessary for the external master to read in the data. The lag time depends on the necessary hold time on the external master data input.
- Pin begins to float when a 300 mV change from the loaded  $V_{OH}$  or  $V_{OL}$  level occurs.

The following illustration shows the test circuit for the SI\_DO disable time.

**Figure 97 • Test Circuit for SI\_DO Disable**

## 5.2.11 JTAG Interface

This section provides the AC specifications for the JTAG interface. The specifications meet or exceed the requirements of IEEE 1149.1-2001. The JTAG receive signal requirements are requested at the pin of the device. The JTAG\_TRST signal is asynchronous to the clock, and does not have a setup or hold time requirement.

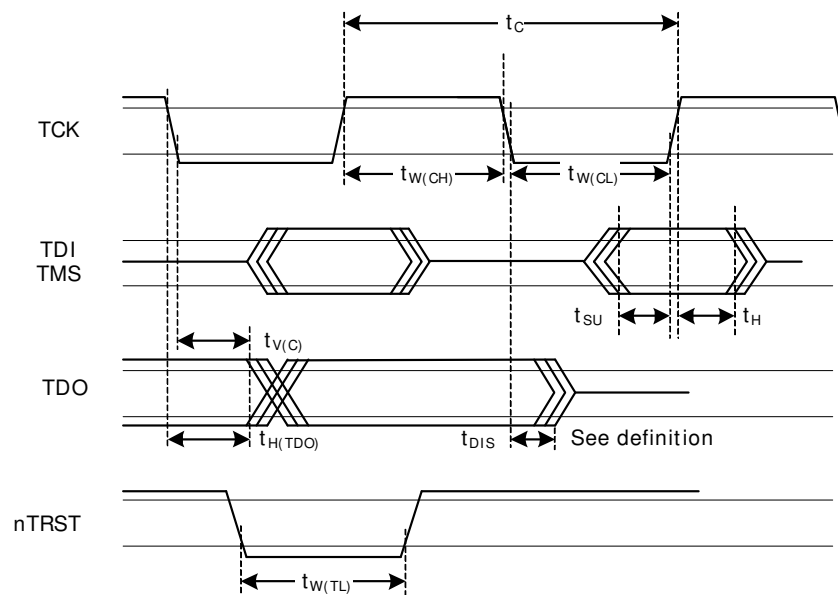
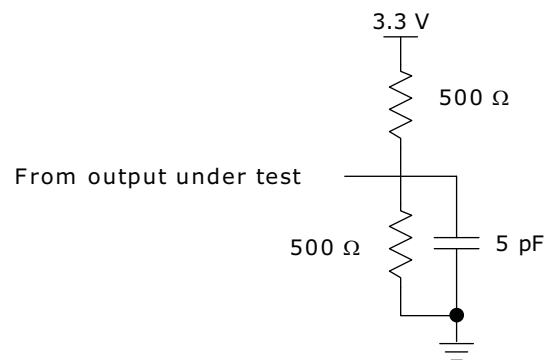
**Table 163 • JTAG Interface AC Specifications**

| Parameter      | Symbol      | Minimum | Maximum | Unit | Condition |
|----------------|-------------|---------|---------|------|-----------|
| TCK frequency  | $f$         |         | 10      | MHz  |           |
| TCK cycle time | $t_C$       | 100     |         | ns   |           |
| TCK high time  | $t_{W(CH)}$ | 40      |         | ns   |           |
| TCK low time   | $t_{W(CL)}$ | 40      |         | ns   |           |

**Table 163 • JTAG Interface AC Specifications (continued)**

| Parameter                      | Symbol       | Minimum | Maximum | Unit | Condition     |
|--------------------------------|--------------|---------|---------|------|---------------|
| Setup time to TCK rising       | $t_{SU}$     | 10      |         | ns   |               |
| Hold time from TCK rising      | $t_H$        | 10      |         | ns   |               |
| TDO valid after TCK falling    | $t_{V(C)}$   |         | 28      | ns   | $C_L = 10$ pF |
| TDO hold time from TCK falling | $t_{H(TDO)}$ | 0       |         | ns   | $C_L = 0$ pF  |
| TDO disable time <sup>1</sup>  | $t_{DIS}$    |         | 30      | ns   |               |
| TRST time low                  | $t_{W(TL)}$  | 30      |         | ns   |               |

1. The pin begins to float when a 300 mV change from the actual  $V_{OH}/V_{OL}$  level occurs.

**Figure 98 • JTAG Interface Timing Diagram****Figure 99 • Test Circuit for TDO Disable Time**



## 5.2.12 Serial Management Interface

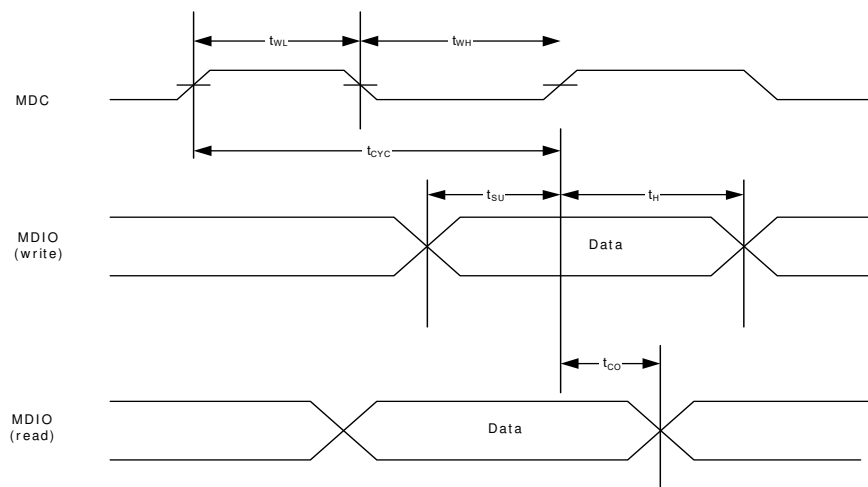
This section contains the AC specifications for the serial management interface (SMI).

**Table 164 • Serial Management Interface AC Characteristics**

| Parameter                  | Symbol    | Minimum | Typical | Maximum                       | Unit | Condition  |
|----------------------------|-----------|---------|---------|-------------------------------|------|--|
| MDC frequency <sup>1</sup> | $f_{CLK}$ |         | 2.5     | 12.5                          | MHz  |  |
| MDC cycle time             | $t_{CYC}$ | 80      | 400     |                               | ns   |  |
| MDC time high              | $t_{WH}$  | 20      | 50      |                               | ns   |  |
| MDC time low               | $t_{WL}$  | 20      | 50      |                               | ns   |  |
| Setup to MDC rising        | $t_{SU}$  | 10      |         |                               | ns   |  |
| Hold from MDC rising       | $t_H$     | 10      |         |                               | ns   |  |
| MDC rise time              | $t_R$     |         |         | 100<br>$t_{CYC} \times 10\%1$ | ns   | MDC = 0: 1 MHz<br>MDC = 1:<br>MHz – $f_{CLK}$ maximum                        |
| MDC fall time              | $t_F$     |         |         | 100<br>$t_{CYC} \times 10\%1$ | ns   |  |
| MDC to MDIO valid          | $t_{CO}$  |         | 10      | 300                           | ns   | Time-dependent on the value of the external pull-up resistor on the MDIO pin |

- For  $f_{CLK}$  above 1 MHz, the minimum rise time and fall time is in relation to the frequency of the MDC clock period. For example, if  $f_{CLK}$  is 2 MHz, the minimum clock rise time and fall time is 50 ns.

**Figure 100 • Serial Management Interface Timing**



## 5.2.13 Reset Timing

This section contains the AC specifications that apply to device reset functionality. The signal applied to the NRESET input must comply with the specifications listed in the following table.

**Table 165 • Reset Timing Specifications**

| Parameter  | Symbol      | Minimum | Maximum | Unit |
|--|-------------|---------|---------|------|
| NRESET assertion time after power supplies and clock stabilize     | $t_W$       | 2       |         | ms   |
| Recovery time from reset inactive to device fully active           | $t_{REC}$   |         | 105     | ms   |
| NRESET pulse width   | $t_{W(RL)}$ | 100     |         | ns   |
| Wait time between NRESET de-assert and access of the SMI interface | $t_{WAIT}$  | 105     |         | ms   |

## 5.2.14 IEEE 1588 Timing Specifications

This section contains the AC specifications for the IEEE 1588 clock pins.

**Table 166 • IEEE 1588 Timing Specifications AC Characteristics**

| Parameter                                   | Symbol     | Minimum | Typical                     | Maximum | Unit | Condition                      |
|---|------------|---------|-----------------------------|---------|------|--------------------------------|
| 1588 reference clock frequency <sup>1</sup> | $f$        |         | 125<br>156.25<br>200<br>250 |         | MHz  | ±100 ppm<br>Jitter < 10 ps RMS |
| Duty cycle                                  | DC         | 40      | 50                          | 60      | %    |                                |
| Rise time and fall time                     | $t_R, t_F$ |         |                             | 1.5     | ns   | 20% to 80% threshold           |

1. Only the listed nominal frequency values are supported.

## 5.2.15 Serial Timestamp Interface

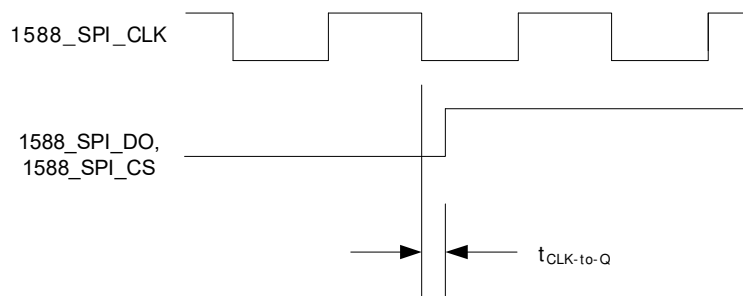
This section contains information about the AC specifications for the SPI interface.

**Table 167 • SPI Timing**

| Parameter                | Symbol         | Minimum | Typical | Maximum | Unit | Condition |
|--------------------------|----------------|---------|---------|---------|------|-----------|
| SPI_CLK frequency        | $f$            |         |         | 62.5    | MHz  |           |
| SPI_CLK duty cycle       | $t_C$          | 40      |         | 60      | %    |           |
| SPI_DO clock-to-Q timing | $t_{CLK-to-Q}$ | -5      |         | 3       | ns   |           |
| SPI_CS clock-to-Q timing | $t_{CLK-to-Q}$ | -5      |         | 3       | ns   |           |

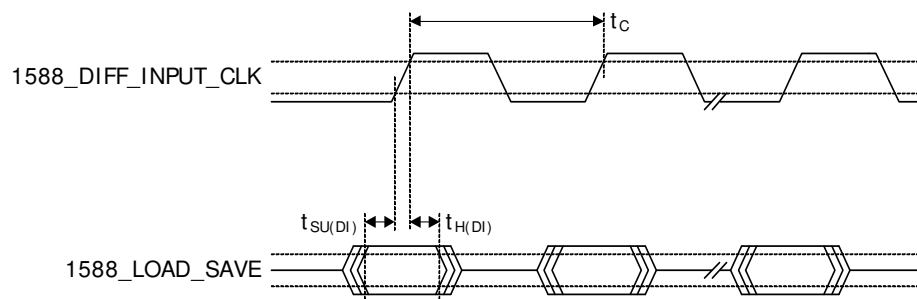
The following illustration shows the SPI interface timing.

**Note:** Data changes state on a falling SPI\_CLK edge in the default configuration. SPI\_CLK can be inverted by setting the 1588 register bit TS\_FIFO\_SI\_CFG:SI\_CLK\_PHA.

**Figure 101 • SPI Interface Timing**

## 5.2.16 Local Time Counter Load/Save Timing

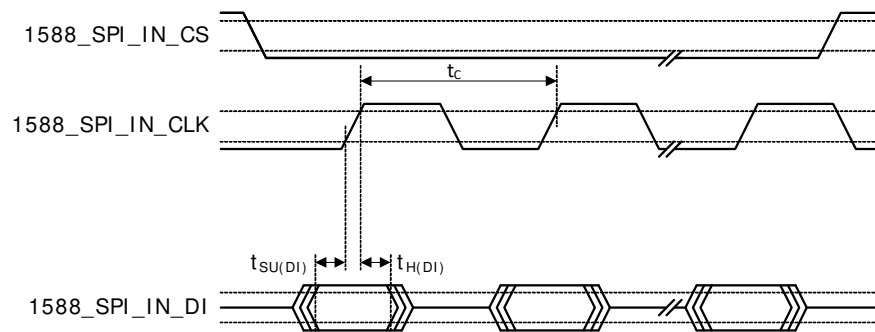
This section contains information about the AC specifications for the local time counter load/save signal.

**Figure 102 • Local Time Counter Load/Save Timing Diagram****Table 168 • Local Time Counter Load/Save Timing Specifications**

| Parameter               | Symbol              | Minimum | Maximum | Unit |
|-------------------------|---------------------|---------|---------|------|
| Clock frequency         | $f$                 |         | 250     | MHz  |
| Clock cycle time        | $t_c$               | 4       |         | ns   |
| DI setup time to clock  | $t_{\text{SU(DI)}}$ | 0.6     |         | ns   |
| DI hold time from clock | $t_{\text{H(DI)}}$  | 3.3     |         | ns   |

## 5.2.17 Daisy-Chained SPI Timestamping Inputs

This section contains information about the AC specifications for the daisy-chained SPI timestamping interface.

**Figure 103 • Daisy-Chained SPI Timestamping Input Timing Diagram****Table 169 • Daisy-Chained SPI Timestamping Input Timing Specifications**

| Parameter               | Symbol       | Minimum | Maximum | Unit |
|-------------------------|--------------|---------|---------|------|
| Clock frequency         | $f$          |         | 62.5    | MHz  |
| Clock cycle time        | $t_c$        | 16      |         | ns   |
| DI setup time to clock  | $t_{SU(DI)}$ | 3       |         | ns   |
| DI hold time from clock | $t_{H(DI)}$  | 3       |         | ns   |

The following table shows the PHY latency in IEEE 1588 bypass mode, measured between the media interface and SGMII MAC interface pins.

**Table 170 • PHY Latency in IEEE 1588 Timing Bypass Mode**

| Mode       | Transmit (egress) |         |            | Receive (ingress) |         |            | Unit |
|------------|-------------------|---------|------------|-------------------|---------|------------|------|
|            | Minimum           | Typical | Maximum    | Minimum           | Typical | Maximum    |      |
| 1000BASE-T | 212 – 16          | 212     | 212 + 16   | 321 – 16          | 321     | 321 + 16   | ns   |
| 100BASE-TX | 581 – 80          | 581     | 581 + 80   | 485 – 40          | 485     | 485 + 40   | ns   |
| 10BASE-T   | 4075 – 400        | 4075    | 4075 + 400 | 3375 – 200        | 3375    | 3375 + 200 | ns   |
| 1000BASE-X | 210 – 16          | 210     | 210 + 16   | 192 – 16          | 192     | 192 + 16   | ns   |
| 100BASE-FX | 531 – 40          | 531     | 531 + 40   | 430 – 16          | 430     | 430 + 16   | ns   |

## 5.3 Operating Conditions

The following table shows the recommended operating conditions for the device.

**Table 171 • Recommended Operating Conditions**

| Parameter                                     | Symbol          | Minimum | Typical | Maximum | Unit |
|---|-----------------|---------|---------|---------|------|
| Power supply voltage for core supply          | $V_{VDD1}$      | 0.95    | 1.00    | 1.05    | V    |
| Power supply voltage for analog circuits      | $V_{VDD1A}$     | 0.95    | 1.00    | 1.05    | V    |
| Power supply voltage for digital I/O          | $V_{VDD25}$     | 2.38    | 2.50    | 2.62    | V    |
| Power supply voltage for analog circuits      | $V_{VDD25A}$    | 2.38    | 2.50    | 2.62    | V    |
| 2.5 V Power supply voltage for SMI            | $V_{VDD\_MDIO}$ | 2.38    | 2.50    | 2.62    | V    |
| 1.2 V Power supply voltage for SMI            | $V_{VDD\_MDIO}$ | 1.14    | 1.2     | 1.26    | V    |
| VSC8575-11 operating temperature <sup>1</sup> | T               | 0       |         | 125     | °C   |
| VSC8575-14 operating temperature <sup>1</sup> | T               | -40     |         | 125     | °C   |

1. Minimum specification is ambient temperature, and the maximum is junction temperature. For carrier class applications, the maximum operating temperature is 110 °C junction.

## 5.4 Stress Ratings

This section contains the stress ratings for the VSC8575-11 device.

**Warning** Stresses listed in the following table may be applied to devices one at a time without causing permanent damage. Functionality at or exceeding the values listed is not implied. Exposure to these values for extended periods may affect device reliability.

**Table 172 • Stress Ratings**

| Parameter  | Symbol          | Minimum               | Maximum | Unit |
|--|-----------------|-----------------------|---------|------|
| Power supply voltage for core supply   | $V_{VDD1}$      | -0.3                  | 1.10    | V    |
| Power supply voltage for analog circuits   | $V_{VDD1A}$     | -0.3                  | 1.10    | V    |
| Power supply voltage for analog circuits   | $V_{VDD25A}$    | -0.3                  | 2.75    | V    |
| Power supply voltage for digital I/O   | $V_{VDD25}$     | -0.3                  | 2.75    | V    |
| Power supply voltage for SMI   | $V_{VDD\_MDIO}$ | -0.3                  | 2.75    | V    |
| Input voltage for GPIO and logic input pins  |                 |                       | 3.3     | V    |
| Storage temperature  | $T_S$           | -55                   | 125     | °C   |
| Electrostatic discharge voltage, charged device model, 1588_DIFF_INPUT_CLK_N and 1588_DIFF_INPUT_CLK_P pins                        | $V_{ESD\_CDM}$  | -200                  | 200     | V    |
| Electrostatic discharge voltage, charged device model, all pins except the 1588_DIFF_INPUT_CLK_N pin and 1588_DIFF_INPUT_CLK_P pin | $V_{ESD\_CDM}$  | -250                  | 250     | V    |
| Electrostatic discharge voltage, human body model, VDD_MDIO pin  | $V_{ESD\_HBM}$  | -1000                 | 1000    | V    |
| Electrostatic discharge voltage, human body model, all pins except the VDD_MDIO pin  | $V_{ESD\_HBM}$  | See note <sup>1</sup> |         | V    |

1. This device has completed all required testing as specified in the JEDEC standard JESD22-A114, *Electrostatic Discharge (ESD) Sensitivity Testing Human Body Model (HBM)*, and complies with a Class 2 rating. The definition of Class 2 is any part that passes an ESD pulse of 2000 V, but fails an ESD pulse of 4000 V.

**Warning** This device can be damaged by electrostatic discharge (ESD) voltage. Microsemi recommends that all integrated circuits be handled with appropriate precautions. Failure to observe proper handling and installation procedures may adversely affect reliability of the device.

## 6 Pin Descriptions

The device has 256 pins, which are described in this section.

The pin information is also provided as an attached Microsoft Excel file so that you can copy it electronically. In Acrobat, double-click the attachment icon.

### 6.1 Pin Identifications

This section contains the pin descriptions for the device. The following table provides notations for definitions of the various pin types.

**Table 173 • Pin Type Symbol Definitions**

| Symbol | Pin Type            | Description  |
|--------|---------------------|--|
| 3V     | Power               | 3.3 V-tolerant pin.                                  |
| ABIAS  | Analog bias         | Analog bias pin.                                     |
| ADIFF  | Analog differential | Analog differential signal pair.                     |
| I      | Input               | Input without on-chip pull-up or pull-down resistor. |
| I/O    | Bidirectional       | Bidirectional input or output signal.                |
| NC     | No connect          | No connect pins must be left floating.               |
| O      | Output              | Output signal.                                       |
| OD     | Open drain          | Open drain output.                                   |
| OS     | Open source         | Open source output.                                  |
| PD     | Pull-down           | On-chip pull-down resistor to VSS.                   |
| PU     | Pull-up             | On-chip pull-up resistor.                            |
| ST     | Schmitt-trigger     | Input has Schmitt-trigger circuitry.                 |

### 6.2 Pin Diagram

The following illustration shows the pin diagram for the device. For clarity, the device is shown in two halves, the top left and top right.

Figure 104 • Top-Left Pin Diagram

|   | 1           | 2                                      | 3   | 4  | 5        | 6        | 7        | 8       |
|---|-------------|--|---|--|----------|----------|----------|---------|
| A | NC_1        | TXVPA_3                                | TXVPB_3                                   | TXVPC_3                                  | TXVPD_3  | TXVPA_2  | TXVPB_2  | TXVPC_2 |
| B | VSS_1       | TXVNA_3                                | TXVNB_3                                   | TXVNC_3                                  | TXVND_3  | TXVNA_2  | TXVNB_2  | TXVNC_2 |
| C | REFCLK_N    | VDD25A_1                               | THERMDA                                   | VDD25A_2                                 | VSS_3    | VDD25A_3 | VDD1A_1  | VDD1A_2 |
| D | REFCLK_P    | THERMDC_VSS                            | REF_FILT_A                                | REF_REXT_A                               | VSS_6    | VSS_7    | VSS_8    | VSS_9   |
| E | REFCLK_SEL2 | TMS                                    | TRST                                      | VDD25A_6                                 | VDD1_1   | VSS_14   | VSS_15   | VSS_16  |
| F | TDO         | TDI                                    | TCK                                       | VSS_20                                   | VDD1_3   | VSS_21   | VSS_22   | VSS_23  |
| G | LED0_PHY0   | LED1_PHY0                              | LED2_PHY0                                 | LED3_PHY0                                | VDD1_5   | VSS_27   | VSS_28   | VSS_29  |
| H | LED0_PHY1   | LED1_PHY1                              | LED2_PHY1                                 | LED3_PHY1                                | VDD1_7   | VSS_33   | VSS_34   | VSS_35  |
| J | LED0_PHY2   | LED1_PHY2                              | LED2_PHY2                                 | LED3_PHY2                                | VDD1_9   | VSS_39   | VSS_40   | VSS_41  |
| K | LED0_PHY3   | LED1_PHY3                              | LED2_PHY3                                 | LED3_PHY3                                | VDD1_11  | VSS_45   | VSS_46   | VSS_47  |
| L | RESERVED_5  | <small>1588_PPS_31588_SPL_IN_D</small> | COMA_MODE                                 | RESERVED_3                               | VDD1_13  | VSS_51   | VSS_52   | VSS_53  |
| M | RESERVED_6  | MDINT                                  | NRESET                                    | VDD25_2                                  | VDD1_15  | VSS_57   | VSS_58   | VSS_59  |
| N | RESERVED_7  | MDIO                                   | <small>1588_PPS_111588_SPL_IN_CLK</small> | <small>1588_PPS_211588_SPL_IN_CS</small> | VDD1_17  | VSS_63   | VSS_64   | VSS_65  |
| P | RESERVED_8  | MDC                                    | VDD_MDIO                                  | RESERVED_4                               | VDD25A_8 | VDD1A_5  | VDD1A_6  | VDD1A_7 |
| R | VSS         | FIBROP_3                               | FIBRIP_3                                  | RDP_3                                    | TDP_3    | FIBROP_2 | FIBRIP_2 | RDP_2   |
| T | NC_3        | FIBRON_3                               | FIBRIN_3                                  | RDN_3                                    | TDN_3    | FIBRON_2 | FIBRIN_2 | RDN_2   |

**Figure 105 • Top-Right Pin Diagram**

| 9       | 10         | 11       | 12       | 13              | 14                  | 15                    | 16                    |   |
|---------|------------|----------|----------|-----------------|---------------------|-----------------------|-----------------------|---|
| TXVPD_2 | TXVPA_1    | TXVPB_1  | TXVPC_1  | TXVPD_1         | TXVPA_0             | TXVPB_0               | NC_2                  | A |
| TXVND_2 | TXVNA_1    | TXVNB_1  | TXVNC_1  | TXVND_1         | TXVNA_0             | TXVNB_0               | VSS_2                 | B |
| VDD1A_3 | RESERVED_1 | VDD25A_4 | VSS_4    | VDD1A_4         | VDD25A_5            | TXVNC_0               | TXVPC_0               | C |
| VSS_10  | VSS_11     | VSS_12   | VSS_13   | RESERVED_2      | VSS                 | TXVND_0               | TXVPD_0               | D |
| VSS_17  | VSS_18     | VSS_19   | VDD1_2   | VDD25A_7        | 1588_PPS_RI         | CLK_SQUELCH_IN        | 1588_SPI_CLK          | E |
| VSS_24  | VSS_25     | VSS_26   | VDD1_4   | PHYADD1         | PHYADD4             | SPI_IO_DO             | RCVRDCLK1             | F |
| VSS_30  | VSS_31     | VSS_32   | VDD1_6   | PHYADD2         | PHYADD3             | SPI_IO_DI             | RCVRDCLK2             | G |
| VSS_36  | VSS_37     | VSS_38   | VDD1_8   | VDD25_1         | 1588_SPI_DO/GPIO13  | SPI_IO_CLK            | VSS                   | H |
| VSS_42  | VSS_43     | VSS_44   | VDD1_10  | SPI_IO_CS       | 1588_SPI_CS/GPIO12  | 1588_DIFF_INPUT_CLK_P | 1588_DIFF_INPUT_CLK_N | J |
| VSS_48  | VSS_49     | VSS_50   | VDD1_12  | GPI08/I2C_SDA   | GPI09/FASTLINK_FAIL | 1588_LOAD_SAVE/GPIO10 | 1588_PPS_0/GPIO11     | K |
| VSS_54  | VSS_55     | VSS_56   | VDD1_14  | GPI04/I2C_SCL_0 | GPI05/I2C_SCL_1     | GPI06/I2C_SCL_2       | GPI07/I2C_SCL_3       | L |
| VSS_60  | VSS_61     | VSS_62   | VDD1_16  | VDD25_3         | SIGDET1/GPIO1       | SIGDET2/GPIO2         | SIGDET3/GPIO3         | M |
| VSS_66  | VSS_67     | VSS_68   | VDD1_18  | SerDes_Rext_1   | SIGDET0/GPIO0       | TDP_0                 | TDN_0                 | N |
| VDD1A_8 | VDD1A_9    | VDD1A_10 | VDD25A_9 | VDD25A_10       | SerDes_Rext_0       | RDP_0                 | RDN_0                 | P |
| TDP_2   | FIBROP_1   | FIBRIP_1 | RDP_1    | TDP_1           | FIBROP_0            | FIBRIP_0              | VSS_70                | R |
| TDN_2   | FIBRON_1   | FIBRIN_1 | RDN_1    | TDN_1           | FIBRON_0            | FIBRIN_0              | NC_4                  | T |

## 6.3 Pins by Function

This section contains the functional pin descriptions for the device.

### 6.3.1 1588 Support

The following table lists the 1588 support pins.

**Table 174 • 1588 Support Pins**

| Name                       | Pin | Type         | Description   |
|----------------------------|-----|--------------|---|
| 1588_DIFF_INPUT_CLK_N      | J16 | ADIFF        | Differential reference clock input pair.  |
| 1588_DIFF_INPUT_CLK_P      | J15 |              |   |
| 1588_PPS_1/1588_SPI_IN_CLK | N3  | I/O, PU, 3 V | 1588 local timer 1 PPS fixed to local timestamp counter PHY1. 1588 serial peripheral interface input clock.       |
| 1588_PPS_2/1588_SPI_IN_CS  | N4  | I/O, PU, 3 V | 1588 local timer 2 PPS fixed to local timestamp counter PHY2. 1588 serial peripheral interface input chip select. |
| 1588_SPI_CLK               | E16 | I            | 1588 SPI clock.   |
| 1588_PPS_3/1588_SPI_IN_DI  | L2  | I/O, PU, 3 V | 1588 local timer 3 PPS fixed to local timestamp counter PHY3. 1588 serial peripheral interface input data input.  |



**Table 174 • 1588 Support Pins (continued)**

| Name        | Pin | Type         | Description              |
|-------------|-----|--------------|--------------------------|
| 1588_PPS_RI | E14 | I/O, PU, 3 V | PPS return input signal. |

### 6.3.2 1588 Support and GPIO

The following table lists the 1588 support and GPIO pins.

**Table 175 • 1588 Support and GPIO Pins**

| Name                  | Pin | Type         | Description  |
|-----------------------|-----|--------------|--|
| 1588_LOAD_SAVE/GPIO10 | K15 | I/O, PU, 3 V | Sync signal to load the time to the 1588 engine. Rising edge triggered. Can be configured to serve as General Purpose Input/Output (GPIO).           |
| 1588_PPS_0/GPIO11     | K16 | I/O, PU, 3 V | 1588 local timer 0 PPS configurable to local timestamp counter PHY0 through PHY3. Can be configured to serve as General Purpose Input/Output (GPIO). |
| 1588_SPI_CS/GPIO12    | J14 | I/O, PU, 3 V | 1588 SPI chip select. Can be configured to serve as General Purpose Input/Output (GPIO).   |
| 1588_SPI_DO/GPIO13    | H14 | I/O, PU, 3 V | 1588 SPI data output. Can be configured to serve as General Purpose Input/Output (GPIO).   |

### 6.3.3 GPIO and Two-Wire Serial

The following table lists the GPIO and two-wire serial pins.

**Table 176 • GPIO and Two-Wire Serial Pins**

| Name                | Pin | Type         | Description  |
|---------------------|-----|--------------|--|
| GPIO4/I2C_SCL_0     | L13 | I/O, PU, 3 V | General purpose input/output (GPIO). The two-wire serial controller pins can be configured to serve as GPIOs.                    |
| GPIO5/I2C_SCL_1     | L14 | I/O, PU, 3 V | General purpose input/output (GPIO). The two-wire serial controller pins can be configured to serve as GPIOs.                    |
| GPIO6/I2C_SCL_2     | L15 | I/O, PU, 3 V | General purpose input/output (GPIO). The two-wire serial controller pins can be configured to serve as GPIOs.                    |
| GPIO7/I2C_SCL_3     | L16 | I/O, PU, 3 V | General purpose input/output (GPIO). The two-wire serial controller pins can be configured to serve as GPIOs.                    |
| GPIO8/I2C_SDA       | K13 | I/O, PU, 3 V | General purpose input/output (GPIO). The two-wire serial controller pins can be configured to serve as GPIOs.                    |
| GPIO9/FASTLINK-FAIL | K14 | I/O, PU, 3 V | General purpose input/output (GPIO). The two-wire serial controller and fast link fail pins can be configured to serve as GPIOs. |

### 6.3.4 JTAG

The following table lists the JTAG test pins.

**Table 177 • JTAG Pins**

| Name | Pin | Type           | Description                   |
|------|-----|----------------|-------------------------------|
| TCK  | F3  | I, PU, ST, 3 V | JTAG test clock input.        |
| TDI  | F2  | I, PU, ST, 3 V | JTAG test serial data input.  |
| TDO  | F1  | O              | JTAG test serial data output. |
| TMS  | E2  | I, PU, ST, 3 V | JTAG test mode select.        |
| TRST | E3  | I, PU, ST, 3 V | JTAG reset.                   |

**Note:** When JTAG is not in use, this pin must be tied to ground with a pull-down resistor for normal operation.

### 6.3.5 Miscellaneous

The following table lists the miscellaneous pins.

**Table 178 • Miscellaneous Pins**

| Name           | Pin              | Type           | Description  |
|----------------|------------------|----------------|--|
| CLK_SQUELCH_IN | E15              | I, PU, 3 V     | Input control to squelch recovered clock.  |
| COMA_MODE      | L3               | I, PU, 3 V     | When this pin is asserted high, all PHYs are held in a powered down state. When de-asserted low, all PHYs are powered up and resume normal operation. This signal is also used to synchronize the operation of multiple chips on the same PCB to provide visual synchronization for LEDs driven by separate chips.<br>For more information, see <a href="#">Initialization</a> , page 99.<br>For more information about a typical bring-up example, see <a href="#">Configuration</a> , page 98. |
| LED0_PHY[0:3]  | G1, H1, J1, K1   | O              | LED direct-drive outputs. All LEDs pins are active-low. A serial LED stream can also be implemented. For more information, see <a href="#">LED Mode Select</a> , page 116.   |
| LED1_PHY[0:3]  | G2, H2, J2, K2   |                |  |
| LED2_PHY[0:3]  | G3, H3, J3, K3   |                |  |
| LED3_PHY[0:3]  | G4, H4, J4, K4   |                |  |
| NC_[1:4]       | A1, A16, T1, T16 | NC             | No connect.  |
| NRESET         | M3               | I, PD, ST, 3 V | Device reset. Active low input that powers down the device and sets all register bits to their default state.  |
| PHYADD1        | F13              | I, PU, 3V      | Device SMI address bit 1. Normally tied to VSS unless an address offset of 0x2 is used by a specific system's station manager. For more information, see <a href="#">PHY Addressing</a> , page 14.   |
| PHYADD[2:4]    | G13, G14, F14    | I, PD, 3 V     | Device SMI address bits 4:2. For more information, see <a href="#">PHY Addressing</a> , page 14.   |

**Table 178 • Miscellaneous Pins (continued)**

| Name                   | Pin                                    | Type          | Description  |
|------------------------|--|---------------|--|
| RCVRDCLK1<br>RCVRDCLK2 | F16<br>G16                             | O             | Clock output can be enabled or disabled and also output a clock frequency of 125 MHz or 25 MHz based on the selected active recovered media programmed for this pin. This pin is not active when NRESET is asserted. When disabled, the pin is held low. |
| REF_FILT_A             | D3                                     | ABIAS         | Reference filter connects to an external 1 $\mu$ F capacitor to analog ground.   |
| REF_REXT_A             | D4                                     | ABIAS         | Reference external connects to an external 2 k $\Omega$ (1%) resistor to analog ground.  |
| REFCLK_N<br>REFCLK_P   | C1<br>D1                               | I,<br>ADIFF   | 125 MHz or 25 MHz reference clock input pair. Must be capacitively coupled and LVDS compatible.  |
| REFCLK_SEL2            | E1                                     | I, PU,<br>3 V | Selects the reference clock speed.<br>0: 25 MHz (VSS)<br>1: 125 MHz (2.5 V)<br>Use 125 MHz for typical applications.   |
| RESERVED_[1:8]         | C10, D13, L4,<br>P4, L1, M1, N1,<br>P1 |               | Reserved. Leave unconnected.   |
| THERMDA                | C3                                     | A             | Thermal diode anode.   |
| THERMDC_VSS            | D2                                     | A             | Thermal diode cathode connected to device ground. Temperature sensor must be chosen accordingly.   |

### 6.3.6 Power Supply and Ground

The following table lists the power supply and ground pins and associated functional pins. All power supply pins must be connected to their respective voltage input, even if certain functions are not used for a specific application. No power supply sequencing is required. However, clock and power must be stable before releasing the NRESET pin.

**Table 179 • Power Supply and Ground Pins**

| Name          | Pin   | Description   |
|---------------|---|---|
| VDD_MDIO      | P3  | 1.2 V or 2.5 V power for SMI pins.  |
| VDD1_[1:18]   | E5, E12, F5, F12, G5, G12, H5, H12,<br>J5, J12, K5, K12, L5, L12, M5, M12,<br>N5, N12 | 1.0 V internal digital logic.   |
| VDD1A_[1:10]  | C7, C8, C9, C13, P6, P7, P8, P9, P10,<br>P11  | 1.0 V analog power requiring additional PCB power supply filtering. Associated with the QSGMII/SGMII MAC receiver output pins.  |
| VDD25_[1:3]   | H13, M4, M13  | 2.5 V general digital power supply. Associated with the LED, GPIO, JTAG, twisted pair interface, reference filter, reference external supply connect, and recovered clock pins. |
| VDD25A_[1:10] | C2, C4, C6, C11, C14, E4, E13, P5,<br>P12, P13  | 2.5 V general analog power supply.  |

**Table 179 • Power Supply and Ground Pins (continued)**

| Name       | Pin  | Description |
|------------|--|-------------|
| VSS        | D14, H16, R1   | Ground.     |
| VSS_[1:4]  | B1, B16, C5, C12   | Ground.     |
| VSS_[6:68] | D5, D6, D7, D8, D9, D10, D11, D12,<br>E6, E7, E8, E9, E10, E11, F4, F6, F7,<br>F8, F9, F10, F11, G6, G7, G8, G9,<br>G10, G11, H6, H7, H8, H9, H10, H11,<br>J6, J7, J8, J9, J10, J11, K6, K7, K8,<br>K9, K10, K11, L6, L7, L8, L9, L10, L11,<br>M6, M7, M8, M9, M10, M11, N6, N7,<br>N8, N9, N10, N11 | Ground.     |
| VSS_70     | R16  | Ground.     |

### 6.3.7 SerDes MAC Interface

The following table lists the SerDes MAC interface pins. Leave unused SerDes transceiver pairs unconnected.

**Table 180 • SerDes MAC Interface Pins**

| Name                           | Pin                        | Type     | Description   |
|--------------------------------|----------------------------|----------|---|
| RDN_0<br>RDP_0                 | P16<br>P15                 | O, ADIFF | PHY0 QSGMII/SGMII/SerDes MAC receiver output pair.                      |
| RDN_1[1:3]<br>RDP_1[1:3]       | T12, T8, T4<br>R12, R8, R4 | O, ADIFF | SGMII/SerDes MAC receiver output pair.                                  |
| SerDes_Rext_0<br>SerDes_Rext_1 | P14<br>N13                 | ABIAS    | SerDes bias pins. Connect a 620 $\Omega$ 1% resistor across these pins. |
| TDN_0<br>TDP_0                 | N16<br>N15                 | I, ADIFF | PHY0 QSGMII/SGMII/SerDes MAC transmitter input pair.                    |
| TDN_1[1:3]<br>TDP_1[1:3]       | T13, T9, T5<br>R13, R9, R5 | I, ADIFF | SGMII/SerDes MAC transmitter input pair.                                |

### 6.3.8 SerDes Media Interface

The following table lists the SerDes media interface pins. Leave unused SerDes transceiver pairs unconnected.

**Table 181 • SerDes Media Interface Pins**

| Name         | Pin              | Type     | Description                           |
|--------------|------------------|----------|---------------------------------------|
| FIBRIN_[0:3] | T15, T11, T7, T3 | I, ADIFF | SerDes media receiver input pair.     |
| FIBRIP_[0:3] | R15, R11, R7, R3 | I, ADIFF | SerDes media receiver input pair.     |
| FIBRON_[0:3] | T14, T10, T6, T2 | O, ADIFF | SerDes media transmitter output pair. |
| FIBROP_[0:3] | R14, R10, R6, R2 | O, ADIFF | SerDes media transmitter output pair. |

### 6.3.9 Serial Management Interface

The following table lists the serial management interface (SMI) pins. The SMI pins are referenced to VDD\_MDIO and can be set to either 1.2 V or 2.5 V. This interface must be set to the appropriate voltage that VDD\_MDIO is set to.

**Table 182 • SMI Pins**

| Name                 | Pin | Type    | Description   |
|----------------------|-----|---------|---|
| MDC <sup>1</sup>     | P2  | I, PU   | Management data clock. A 0 MHz to 12.5 MHz reference input is used to clock serial MDIO data into and out of the PHY.   |
| MDINT                | M2  | I/O, OD | Management interrupt signal. These pins can be tied together in a wired-OR configuration with a single pull-up resistor.  |
| MDIO <sup>1, 2</sup> | N2  | I/O, OD | Management data input/output pin. Serial data is written or read from this pin bidirectionally between the PHY and Station Manager, synchronously on the positive edge of MDC. One external pull-up resistor is required at the Station Manager, and its value depends on the MDC clock frequency and the total sum of the capacitive loads from the MDIO pins. |

1. 3.3 V input tolerant when supply VDD\_MDIO is at 2.5 V, and 2.5 V input tolerant when VDD\_MDIO is at 1.2 V.
2. When the PHY drives read data on MDIO, it can only source 2.5 V to the MDIO pin.

### 6.3.10 SIGDET/GPIO

The following table lists the GPIO and signal detect pins.

**Table 183 • SIGDET/GPIO Pins**

| Name          | Pin | Type         | Description   |
|---------------|-----|--------------|---|
| SIGDET0/GPIO0 | N14 | I/O, PU, 3 V | General purpose input/output (GPIO). The multipurpose SIGDET and fast link fail pins can be configured to serve as GPIOs. |
| SIGDET1/GPIO1 | M14 | I/O, PU, 3 V | General purpose input/output (GPIO). The multipurpose SIGDET and fast link fail pins can be configured to serve as GPIOs. |
| SIGDET2/GPIO2 | M15 | I/O, PU, 3 V | General purpose input/output (GPIO). The multipurpose SIGDET and fast link fail pins can be configured to serve as GPIOs. |
| SIGDET3/GPIO3 | M16 | I/O, PU, 3 V | General purpose input/output (GPIO). The multipurpose SIGDET and fast link fail pins can be configured to serve as GPIOs. |

### 6.3.11 SPI Interface

The following table lists the SPI interface pins.

**Table 184 • SPI Interface Pins**

| Name       | Pin | Type         | Description  |
|------------|-----|--------------|--|
| SPI_IO_CLK | H15 | I/O, PU, 3 V | Serial peripheral interface clock input from external device |
| SPI_IO_CS  | J13 | I/O, PU, 3 V | Serial peripheral interface chip select                      |
| SPI_IO_DI  | G15 | I/O, PU, 3 V | Serial peripheral interface data input                       |
| SPI_IO_DO  | F15 | I/O, PU, 3 V | Serial peripheral interface data output                      |

### 6.3.12 Twisted Pair Interface

The following table lists the twisted pair interface pins.

**Table 185 • Twisted Pair Interface Pins**

| Name        | Pin              | Type  | Description                     |
|-------------|------------------|-------|---------------------------------|
| TXVNA_[0:3] | B14, B10, B6, B2 | ADIFF | TX/RX channel A negative signal |
| TXVNB_[0:3] | B15, B11, B7, B3 | ADIFF | TX/RX channel B negative signal |
| TXVNC_[0:3] | C15, B12, B8, B4 | ADIFF | TX/RX channel C negative signal |
| TXVND_[0:3] | D15, B13, B9, B5 | ADIFF | TX/RX channel D negative signal |
| TXVPA_[0:3] | A14, A10, A6, A2 | ADIFF | TX/RX channel A positive signal |
| TXVPB_[0:3] | A15, A11, A7, A3 | ADIFF | TX/RX channel B positive signal |
| TXVPC_[0:3] | C16, A12, A8, A4 | ADIFF | TX/RX channel C positive signal |
| TXVPD_[0:3] | D16, A13, A9, A5 | ADIFF | TX/RX channel D positive signal |

## 7 Package Information

---

The VSC8575XKS-11 and VSC8575XKS-14 are packaged in a lead-free (Pb-free), 256-pin, plastic ball grid array (BGA) with a 17 mm × 17 mm body size, 1 mm pin pitch, and 1.8 mm maximum height.

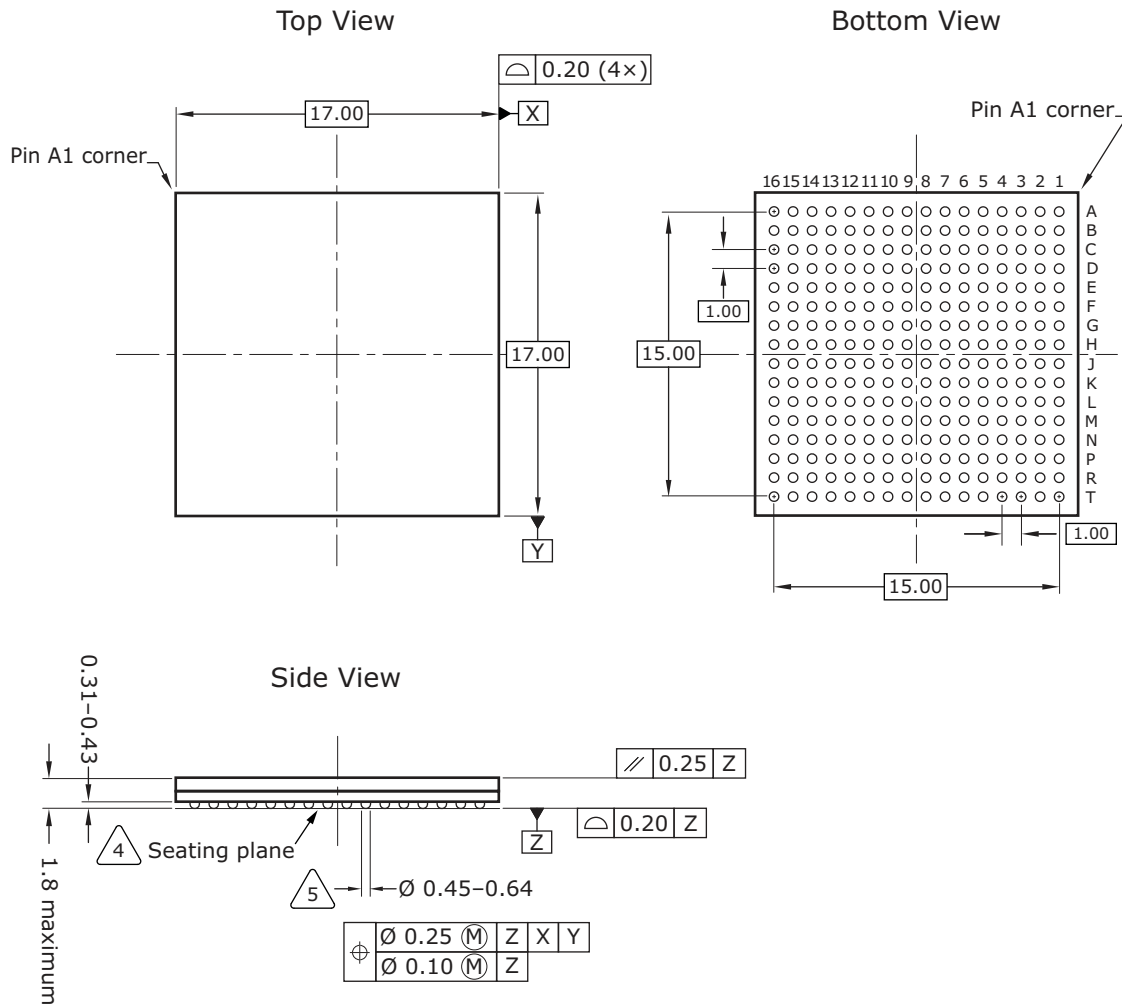
Lead-free products from Microsemi comply with the temperatures and profiles defined in the joint IPC and JEDEC standard IPC/JEDEC J-STD-020. For more information, see the IPC and JEDEC standard.

This section provides the package drawing, thermal specifications, and moisture sensitivity rating for the device.

### 7.1 Package Drawing

The following illustration shows the package drawing for the device. The drawing contains the top view, bottom view, side view, dimensions, tolerances, and notes.

Figure 106 • Package Drawing



Notes

1. All dimensions and tolerances are in millimeters (mm).
2. Ball diameter is 0.50 mm.
3. Radial true position is represented by typical values.
- ④ Primary datum Z and seating plane are defined by the spherical crowns of the solder balls.
- ⑤ Dimension is measured at the maximum solder ball diameter, parallel to primary datum Z.

## 7.2 Thermal Specifications

Thermal specifications for this device are based on the JEDEC JESD51 family of documents. These documents are available on the JEDEC Web site at [www.jedec.org](http://www.jedec.org). The thermal specifications are modeled using a four-layer test board with two signal layers, a power plane, and a ground plane (2s2p)



PCB). For more information about the thermal measurement method used for this device, see the JESD51-1 standard.

**Table 186 • Thermal Resistances**

| Symbol                  | °C/W | Parameter  |
|-------------------------|------|--|
| $\theta_{JCTop}$        | 5.1  | Die junction to package case top                             |
| $\theta_{JB}$           | 10.5 | Die junction to printed circuit board                        |
| $\theta_{JA}$           | 19.6 | Die junction to ambient                                      |
| $\theta_{JMA}$ at 1 m/s | 16.3 | Die junction to moving air measured at an air speed of 1 m/s |
| $\theta_{JMA}$ at 2 m/s | 14.2 | Die junction to moving air measured at an air speed of 2 m/s |

To achieve results similar to the modeled thermal measurements, the guidelines for board design described in the JESD51 family of publications must be applied. For information about applications using BGA packages, see the following:

- JESD51-2A, *Integrated Circuits Thermal Test Method Environmental Conditions, Natural Convection (Still Air)*
- JESD51-6, *Integrated Circuit Thermal Test Method Environmental Conditions, Forced Convection (Moving Air)*
- JESD51-8, *Integrated Circuit Thermal Test Method Environmental Conditions, Junction-to-Board*
- JESD51-9, *Test Boards for Area Array Surface Mount Package Thermal Measurements*

## 7.3 Moisture Sensitivity

This device is rated moisture sensitivity level 4 as specified in the joint IPC and JEDEC standard IPC/JEDEC J-STD-020. For more information, see the IPC and JEDEC standard.

## 8 Design Considerations

---

This section provides information about design considerations for the VSC8575-11 device.

### 8.1 Clause 45 register address post-increment

Clause 45 register address post-increment only works when reading registers and only when extended page access register 31 is set to 0.

The workaround is to access registers individually.

### 8.2 Clause 45, register 7.60

Clause 45, register 7.60 bit 10 always reads back value 1. However per IEEE 802.3z, reserved bits should read back value 0.

This has a minor implication on software that needs to ignore bit 10 in the read-back value of clause 45 register 7.60.

### 8.3 10BASE-T signal amplitude

10BASE-T signal amplitude can be lower than the minimum specified in IEEE 802.3 paragraph 14.3.1.2.1 (2.2 V) at low supply voltages. Additionally, associated templates may be marginal or have failures.

This issue is not estimated to present any system level impact. Performance is not impaired with cables up to 130 m with various link partners.

### 8.4 10BASE-T Half-Duplex linkup after initial reset from power up

After initial power-on, register 0 Mode Control of port 0 of the device may contain all zeros and thus operate in forced 10BASE-T half-duplex mode.

The workaround is to perform a software reset of port 0 using register 0 bit 15 to restore the power-on default values. For more information, see [Mode Control](#), page 102.

### 8.5 Link performance in 100BASE-TX and 1000BASE-T modes

PHY ports may exhibit sub-optimal performance under certain environmental and cabling conditions without proper initialization.

Furthermore, under worst-case operating conditions while in 100BASE-TX mode, the PHY cannot compensate for the limits of attenuation and phase distortion introduced at maximum cable lengths, or compensate for worst-case baseline wander introduced by 100BASE-TX “killer” packets.

Contact Microsemi for a script that needs to be applied during system initialization.

### 8.6 Clause 36 PCS incompatibilities in 1000BASE-X media mode

While operating in 1000BASE-X media mode, certain Media Access Controllers may reject Carrier Extension patterns in ingress frame traffic, in violation of the Clause 36 PCS specification.

The workaround to ensure no frame errors with such link-partner MACs is to disable Carrier Extensions in 1000BASE-X mode by setting register 23E3 bit 12.

## 8.7 1000BASE-X parallel detect mode with Clause 37 auto-negotiation enabled

When connected to a forced-mode link partner and attempting auto-negotiation, the PHY in 1000BASE-X parallel detect mode requires a minimum 250 millisecond IDLE stream in order to establish a link. If the PHY port is programmed with 1000BASE-X parallel detect-enabled (MAC-side register 16E3 bit 13, or media-side register 23E3 bit 13), then a forced-mode link partner sending traffic with an inter-packet gap less than 250 milliseconds will not allow the local device's PCS to transition from a link-down to link-up state.

## 8.8 Near-end loopback non-functional in protocol transfer mode

Near-end loopback does not work correctly when the device is configured in protocol transfer mode.

This is a debug feature and does not have any effect on the normal operation of the device.

## 8.9 LED Duplex/Collision function not working when in protocol transfer mode 10/100 Mbps

When a PHY port is configured for protocol transfer mode of operation, the Duplex/Collision function of an LED does not properly indicate if the link is full-duplex.

Because protocol transfer mode is used with copper SFP modules, the PHY-copper SFP link will always operate in full-duplex mode, and thus the PHY LED duplex indicator has little real-world significance.

## 8.10 Fast Link Failover indication delay when using interrupts

Whenever the Fast Link Failure interrupt mask is enabled (register 25, bit 7), MDINT will assert at the onset of a link failure in less than 6 ms typical (8 ms, worst-case).

## 8.11 Anomalous Fast Link Failure indication in 1000BT Energy Efficient Ethernet mode

When a port is linked in 1000BT in EEE mode, the Fast Link Failure indication may falsely assert while processing bursting traffic. EEE should be disabled when FLF indication is in use.

## 8.12 Anomalous PCS error indications in Energy Efficient Ethernet mode

When a port is processing traffic with EEE enabled on the link, certain PCS errors (such as false carriers, spurious start-of-stream detection, and idle errors) and EEE wake errors may occur. There is no effect on traffic bit error rate, but some error indications should not be used while EEE is enabled. These error indications include false carrier interrupts (interrupt status, register 26 bit 3), receive error interrupts (interrupt status, register 26 bit 0), and EEE wake error interrupts.

Contact Microsemi for a script that needs to be applied during system initialization if EEE will be enabled.

## 8.13 EEE allowed only for MACs supporting IEEE 802.3az-2010 in 1588 applications

When the 1588 processor is enabled and the PHY is advertising EEE mode of operation, the PHY requires a 802.3az-2010 MAC to control EEE features.

EEE operation with legacy MACs that do not support 802.3az-2010 is not allowed whenever the 1588 time stamping engine is used.

## 8.14 Auto-Negotiation Management Register Test failures

MII register 10 bit 15 (Master/Slave Configuration Fault) does not self-clear before a subsequent 1000BT link up attempt. This is a minor bug, and can be worked around by reading the register twice to ensure bit 15 status shows the correct 1000BT auto-negotiation result.

MII register 4 bit field 4:0 (Reserved Selector Fields) will accept values other than IEEE 802.3 Ethernet code values to be transmitted by the PHY during auto-negotiation base page exchange. This is a minor bug because it requires deliberate misconfiguration of the selector field in register 4, which the PHY API does not perform.

## 8.15 1588 bypass switch may drop packets

Up to two 1588 packets in the 1588 engine pipeline could be dropped if the bypass switch is activated on the fly during live 1588 traffic. Disabling the bypass switch at any time is acceptable.

## 8.16 1588 bypass shall be enabled during engine reconfiguration

When the 1588 datapath is enabled, the 1588 bypass feature shall be enabled before reprogramming 1588 configuration registers. It is recommended to disable 1588 bypass before live traffic begins flowing through the re-provisioned port.

## 8.17 Time stamp errors due to IEEE 1588 reference clock interruption

Interruption of the IEEE 1588 reference clock after releasing device hardware reset will corrupt the local time counter value and may cause loss of 1588 processor time stamp coherency. After clock interruption, a local time counter reload and execution of the 1588 out-of-sync (OOS) recovery routine within the Unified API is required.

Contact Microsemi for the Unified API v4.67.03 or later with these capabilities, and for additional usage information on the OOS recovery routine.

## 8.18 Soft power-down procedure

Prior to enabling the power-down control bit (device register 0, bit 11), the 1588 bypass must be set. The Unified API is required to perform this procedure.

Contact Microsemi to obtain Unified API-4.67.03 or later, which performs this procedure as part of soft power-down.

## 9 Ordering Information

The device is offered with two operating temperature ranges. The range for VSC8575-11 is 0 °C ambient to 125 °C junction. The range for VSC8575-14 is –40 °C ambient to 125 °C junction.

VSC8575XKS-11 and VSC8575XKS-14 are packaged in a lead-free (Pb-free), 256-pin, plastic ball grid array (BGA) with a 17 mm × 17 mm body size, 1 mm pin pitch, and 1.8 mm maximum height.

Lead-free products from Microsemi comply with the temperatures and profiles defined in the joint IPC and JEDEC standard IPC/JEDEC J-STD-020. For more information, see the IPC and JEDEC standard.

The following table lists the ordering information.

**Table 187 • Ordering Information**

| Part Order Number | Description  |
|-------------------|--|
| VSC8575XKS-11     | Lead-free, 256-pin, plastic BGA with a 17 mm × 17 mm body size, 1 mm pin pitch, and 1.8 mm maximum height. The operating temperature is 0 °C ambient to 125 °C junction <sup>1</sup> .   |
| VSC8575XKS-14     | Lead-free, 256-pin, plastic BGA with a 17 mm × 17 mm body size, 1 mm pin pitch, and 1.8 mm maximum height. The operating temperature is –40 °C ambient to 125 °C junction <sup>1</sup> . |

1. For carrier class applications, the maximum operating temperature is 110 °C junction.