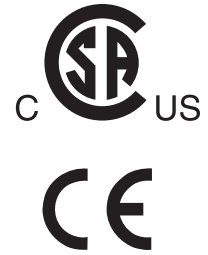


# Polyester Modular Enclosures - NEMA 4X

## R130 Series Enclosures


**Corrosion Resistant Junction Boxes**

### Application

- Designed for use as instrument enclosures, electrical junction boxes or terminal wiring enclosures.
- Provide outstanding protection against dust, oil and pressurized water.
- Impervious to atmospheric and marine corrosion.

### Standards

- CSA Type 4, 4X
- **Complies with**
  - NEMA 1, 2, 3, 3R, 4, 4X, 5, 12, 13
  - IEC 60529, IP66
- VO Flammability Rating

### Construction

- Two piece molded fiberglass reinforced polyester construction.
- Captive polyfibre cover screws are provided with a standard slot head.
- Cover screws fasten into pre-threaded holes.
- The threaded cover screw holes also provide single channel access to rear mounting positions.
- Recessed neoprene gasket with tongue and groove construction is oil and petroleum resistant.
- Threaded stainless steel inserts provide for internal mounting.
- Spring loaded stainless steel hinge pins are standard, allowing for quick lid removal.

### Finish

- Light beige RAL 7032

### Accessories

- External mounting feet...*see next page*
- Inner panels...*see next page*
- Cross rails...*see next page*
- Bonded acrylic glass windows are available on special request.

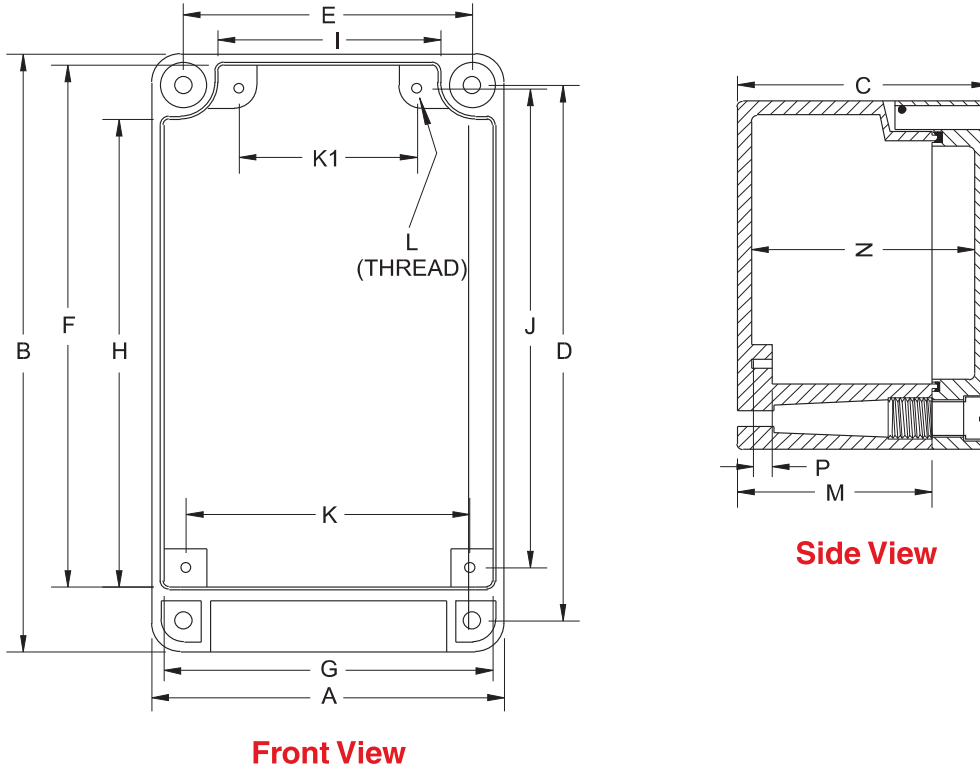
Part No.	Series	Units	Width		Length		Height											
			A	B	C	D	E	F	G	H	I	J	K	K1	L	M	N	P
<b>R130-120-000</b>	PD-120	inch	4.72	5.51	3.94	4.65	3.86	4.33	4.25	3.62	2.81	3.82	3.74	2.28		2.76	3.62	0.28
		mm	120	140	100	118	98	110	108	92	71.5	97	95	58	M6	70	92	7
<b>R130-122-000</b>	PD-122	inch	4.72	7.87	3.94	7.01	3.86	6.69	4.25	5.98	2.81	6.18	3.74	2.28		2.76	3.62	0.28
		mm	120	200	100	178	98	170	108	152	71.5	157	95	58	M6	70	92	7
<b>R130-124-000</b>	PD-124	inch	4.72	10.24	3.94	9.37	3.86	9.06	4.25	8.35	2.81	8.54	3.74	2.28		2.76	3.62	0.28
		mm	120	260	100	238	98	230	108	212	71.5	217	95	58	M6	70	92	7
<b>R130-160-000</b>	PD-160	inch	6.30	7.09	3.94	6.22	5.43	5.91	5.83	5.20	4.39	5.39	5.31	3.86		2.76	3.62	0.28
		mm	160	180	100	158	138	150	148	132	111.5	137	135	98	M6	70	92	7
<b>R130-162-000</b>	PD-162	inch	6.30	10.24	3.94	9.37	5.43	9.06	5.83	8.35	4.39	8.54	5.31	3.86		2.76	3.62	0.28
		mm	160	260	100	238	138	230	148	212	111.5	217	135	98	M6	70	92	7
<b>R130-164-000</b>	PD-164	inch	6.30	13.39	3.94	12.52	5.43	12.20	5.83	11.50	4.39	11.69	5.31	3.86		2.76	3.62	0.28
		mm	160	340	100	318	138	310	148	292	111.5	297	135	98	M6	70	92	7
<b>R130-200-000</b>	PD-200	inch	7.87	8.66	4.72	7.80	7.01	7.46	7.38	6.73	5.94	6.97	6.89	5.43		3.54	4.41	0.28
		mm	200	220	120	198	178	189.5	187.5	171	151	177	175	138	M6	90	112	7
<b>R130-202-000</b>	PD-202	inch	7.87	12.60	4.72	11.73	7.01	11.40	7.38	10.67	5.94	10.91	6.89	5.43		3.54	4.41	0.28
		mm	200	320	120	298	178	289.5	187.5	271	151	277	175	138	M6	90	112	7

 Technical references and CAD downloads available at [www.hammondmfg.com](http://www.hammondmfg.com)

All dimensions in inches unless specified otherwise

# Polyester Modular Enclosures - NEMA 4X

## R130 Series Enclosures



### Accessories

Part No.	External Feet (Set of 4) Stainless Steel	Inner Panel (1.5 mm) Steel, Zinc Plated	Cross Rail (Pair) (Low Bottom Part)
R130-120-000	R501-000-001	R530-120-000	R531-120-000
R130-122-000	R501-000-001	R530-122-000	R531-120-000
R130-124-000	R501-000-001	R530-124-000	R531-120-000
R130-160-000	R501-000-001	R530-160-000	R531-160-000
R130-162-000	R501-000-001	R530-162-000	R531-160-000
R130-164-000	R501-000-001	R530-164-000	R531-160-000
R130-200-000	R501-000-001	R530-200-000	R531-200-000
R130-202-000	R501-000-001	R530-202-000	R531-200-000

Corrosion Resistant Junction Boxes