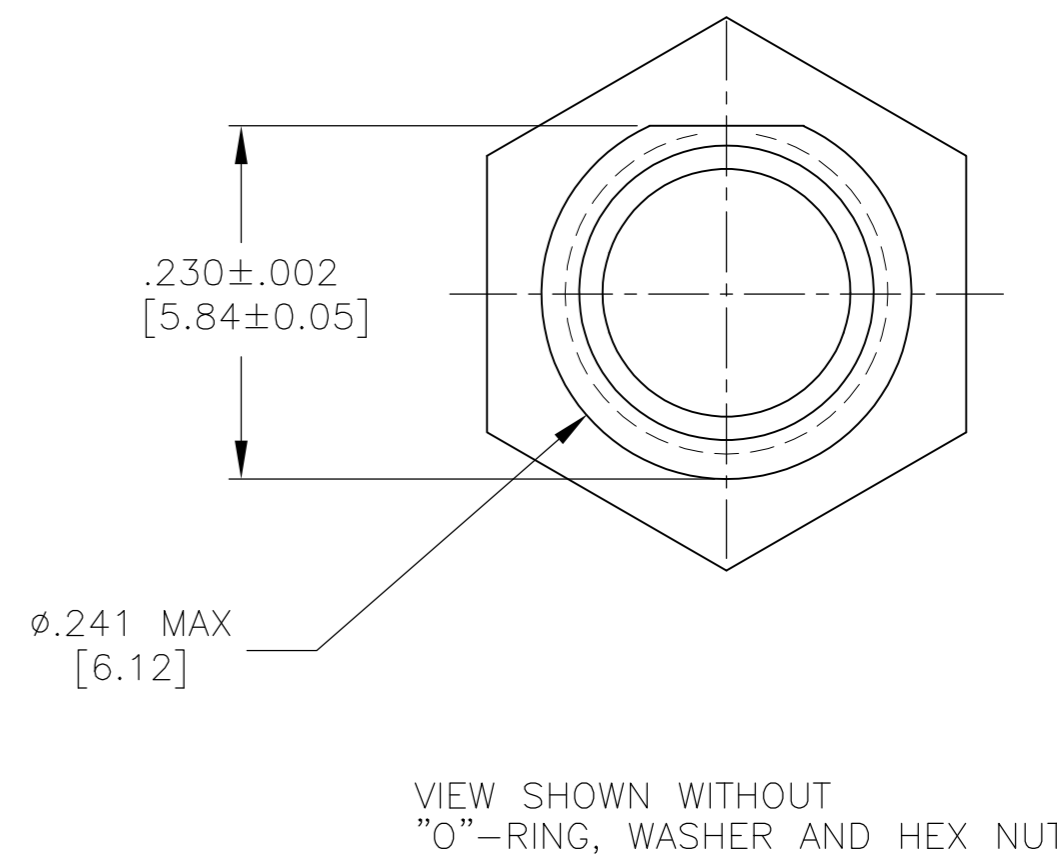
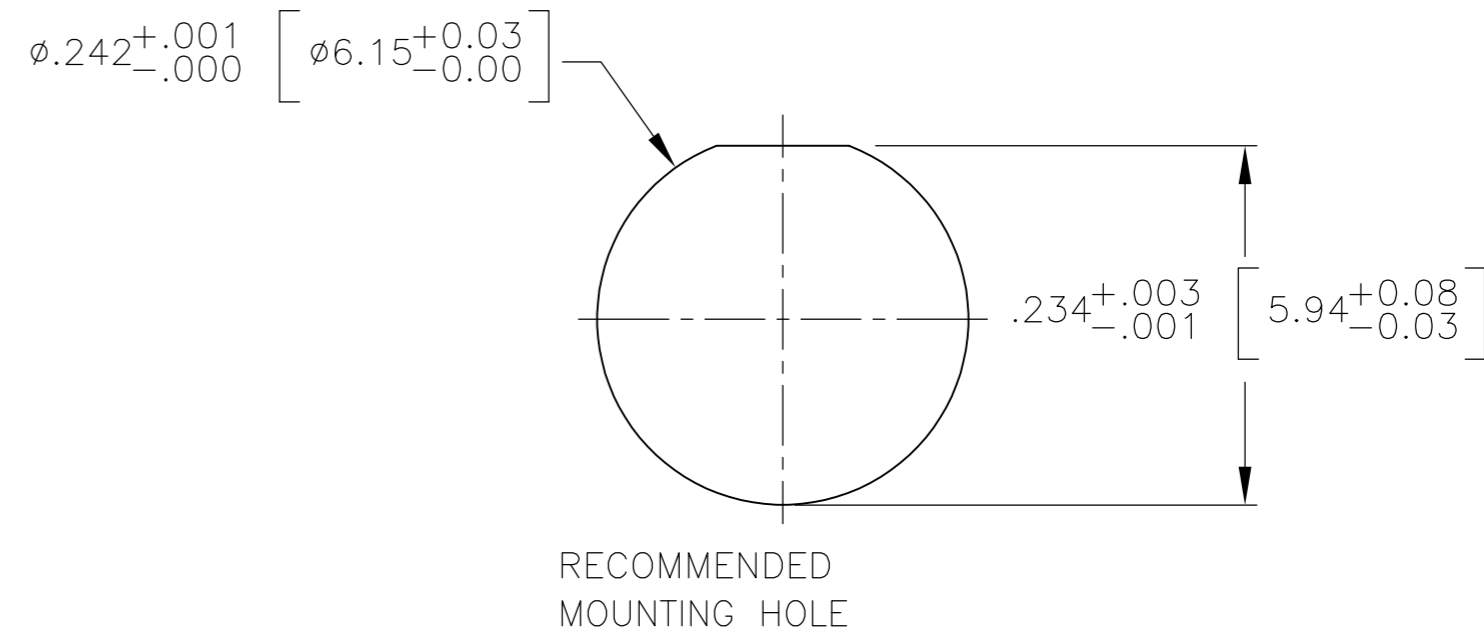
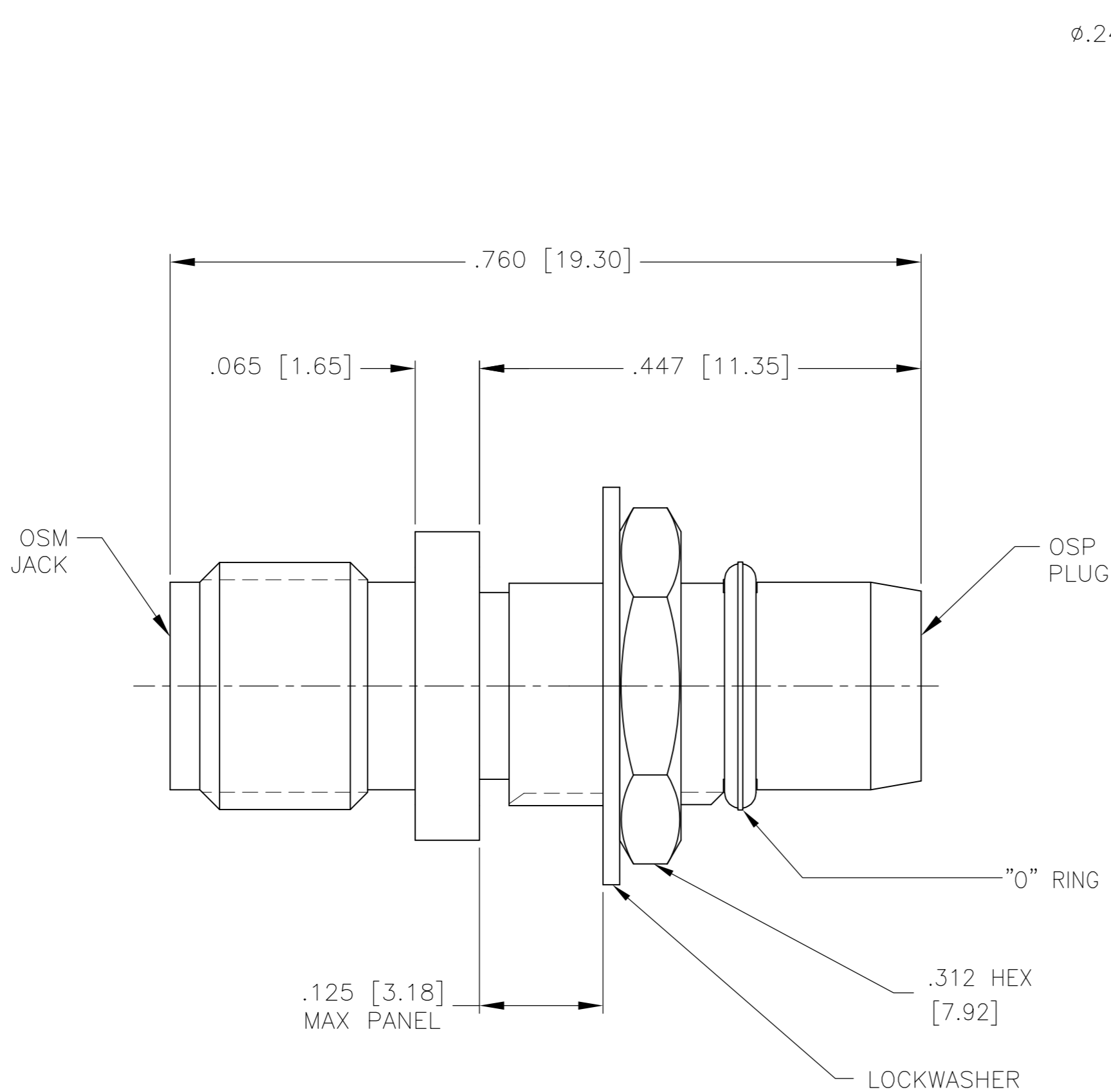


THIS DRAWING IS UNPUBLISHED. RELEASED FOR PUBLICATION
 © COPYRIGHT BY TYCO ELECTRONICS CORPORATION. ALL RIGHTS RESERVED.

LOC		DIST		REVISIONS			
P	LTR	DESCRIPTION	DATE	DWN	APVD		
E		REV PER ECO 10-013208	6-24-10	CT	BG		

1 CAPTURED CENTER CONTACT



HOUSING MOUNTING NUT LOCKWASHER	STAINLESS STEEL PER ASTM-A484 AND ASTM-A582, TYPE 303	PASSIVATE PER QQ-P-35
DIELECTRIC	TFE FLUOROCARBON PER ASTM-D-1457	N/A
CENTER CONTACT	BERYLLIUM COPPER PER ASTM-B-196 OR ASTM-B-197, ALLOY C17300, CONDITION H	GOLD PLATE PER ASTM-B-488
O-RING	FLOUROSILICONE PER MIL-R-25988, CLASS I, TYPE I.	N/A
COMPONENT	MATERIAL	FINISH

1663994-1
PART NUMBER

THIS DRAWING IS A CONTROLLED DOCUMENT.		DWN C.C.THOMAS 21JAN04	Tyco Electronics Corporation Harrisburg, PA 17105-3608	
DIMENSIONS: INCHES [mm]		CHK R.GROSS 1-24-04	NAME OSM JACK TO OSP BULKHEAD FEED-THRU PLUG ADAPTOR	
TOLERANCES UNLESS OTHERWISE SPECIFIED:		APVD R.GROSS 1-21-04	SIZE A2 CAGE CODE 00779 C=1663994	
0 PLC ± -		PRODUCT SPEC	DRAWING NO 1663994	
1 PLC ± -		APPLICATION SPEC	RESTRICTED TO	
2 PLC ± -			SCALE 8:1 SHEET 1 of 1 REV E	
3 PLC ± .005 [0.13]				
4 PLC ± -				
ANGLES ± -				
MATERIAL SEE TABLE		WEIGHT -		
FINISH -		CUSTOMER DRAWING		