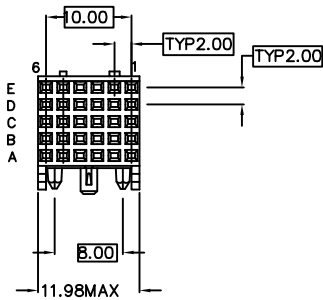


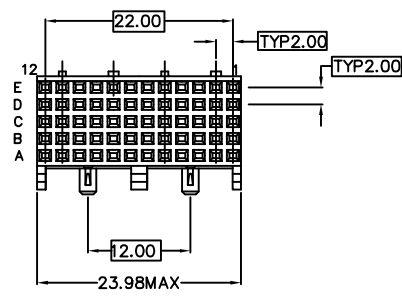
Tous droits strictement réservés. Reproduction ou communication a des tiers interdite sous quelque forme que ce soit sans autorisation écrite du propriétaire. Propriété de c FCI. Droits de reproduction FCI.



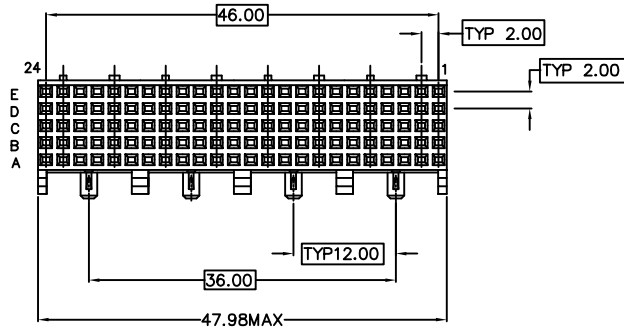
All rights strictly reserved. Reproduction or issue to third parties in any form whatever is not permitted without written authority from the proprietor. Property of FCI. Copyright FCI.



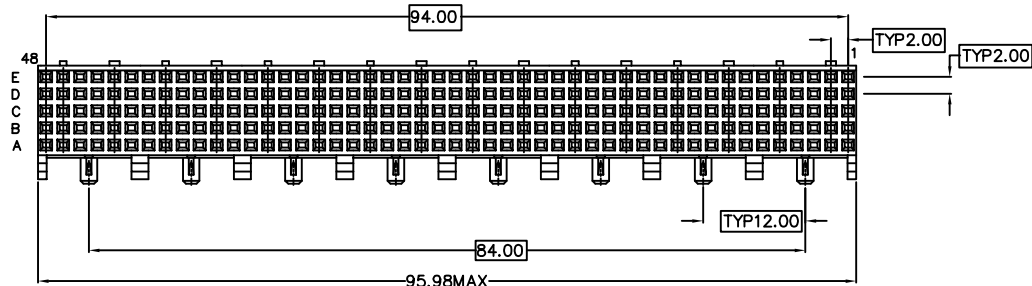
30 POSITION



60 POSITION



120 POSITION



240 POSITION

NOTES: UNLESS OTHERWISE SPECIFIED;

- 1 CONNECTOR MATERIALS:  
HOUSING: GLASS FILLED THERMOPLASTIC, UL94-V0 COMPLIANT.  
TERMINAL: PHOSPHOR BRONZE ALLOY
- 2 PACKED IN TUBES.
- ③ FEATURE MAY OR MAY NOT BE PRESENT DEPENDING UPON THE MOLD TOOLING USED TO PRODUCE PRODUCT.
- 4 PRODUCT SPECIFICATION: GS-12-177.
- 5 APPLICATION SPECIFICATION: GS-20-015.
- 6 THE PRODUCTS WHERE THE PART NUMBER ENDS IN "LF" MEET THE EUROPEAN UNION DIRECTIVES AND OTHER COUNTRY REGULATIONS AS DESCRIBED IN GS-22-008.
- 7 ALL PRODUCTS WILL WITHSTAND EXPOSURE TO 260°C FOR 60 SECONDS IN A CONVECTION, INFRARED OR VAPOR PHASE REFLOW OVEN.

mat'l. code				tolerances unless otherwise specified				CUSTOMER COPY		FCI www.fciconnect.com	
ltr	ecn no	dr	date	linear	.X ±.3[±.1]		projection		title		
F	V04-1124	TAB	02/07/05		.XX ±.13[±.02]				T SERIES STRAIGHT RECEPT ASSY		
G	V05-0438	VS	07/14/05		.XXX ±.051[±.005]			product family		code	
H	DC08-0173	TER	7/22/08		angles			METRAL		213	
				dr	V.SEBASTIAN	07/14/05	scale		sheet		
				enr	J.VOLSTROF	07/14/05	4: 1		1 of 2		
				chr	J.VOLSTROF	07/14/05					
				appd	J.VOLSTROF	07/14/05					
sheet index	revision sheet	H	H								
		1	2								

cage code  
22526

Tous droits strictement reserves. Reproduction ou communication a des tiers interdite sous quelque forme que ce soit sans autorisation écrite du propriétaire. Propriete de c FCI. Droits de reproduction FCI.



All rights strictly reserved. Reproduction or issue to third parties in any form whatever is not permitted without written authority from the proprietor. Property of FCI. Copyright FCI.

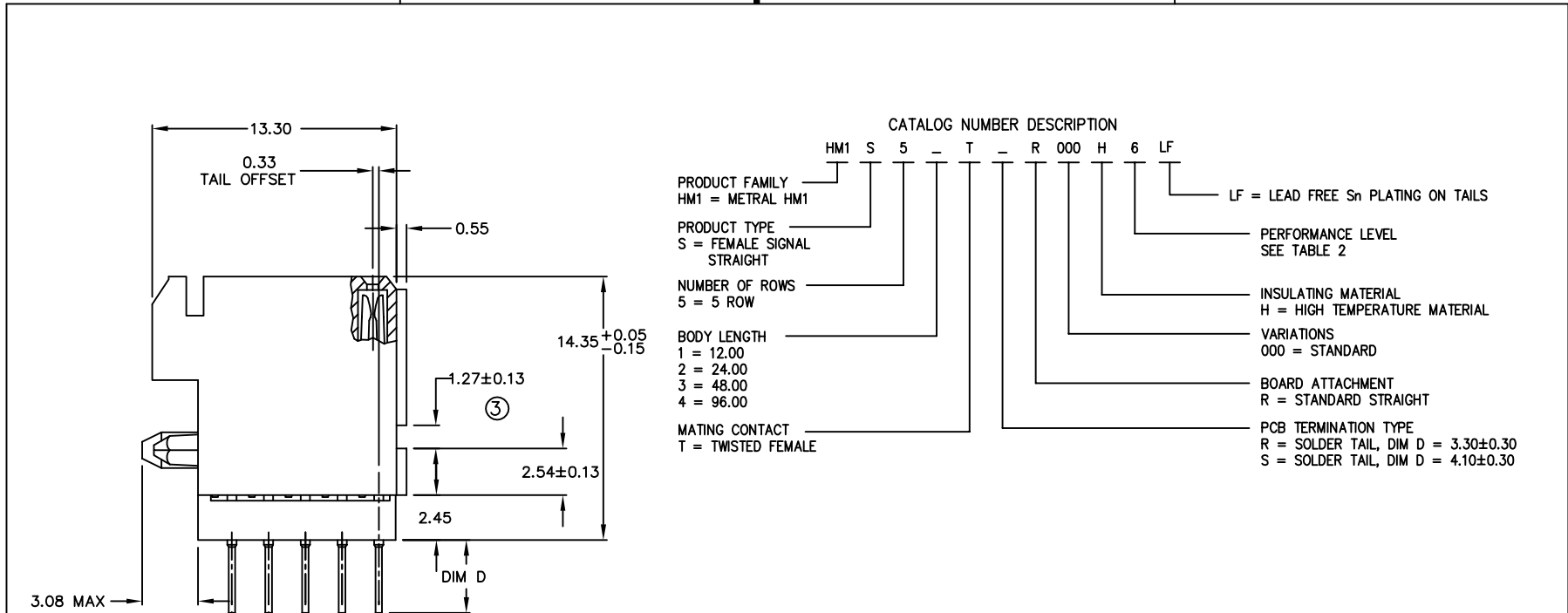
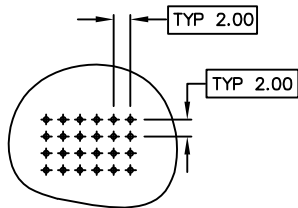


TABLE 2

CODE	CONTACT AREA	PERFORMANCE LEVEL
6	0.75um Au min over 1.3um Ni min or 0.68um PdNi min +0.08um Au min over 1.3um Ni min	TELCORDIA CO



RECOMMENDED PC BOARD LAYOUT,  
COMPONENT SIDE  
SEE PRINT 58351 FOR ADDITIONAL  
PCB INFORMATION

mat'l. code				tolerances unless otherwise specified		CUSTOMER COPY		FCI www.fciconnect.com	
ltr	ecn no	dr	date	linear	NONE ±3[±.1]		projection	title	
H					.X ±.5[±.02]			MM	T SERIES STRAIGHT RECEPT ASSY
				angles	.XX ±.13[±.005]		MM		5 ROW, STB
					0° ±1°			10:1	product family METRAL
				dr	V.SEABASTIAN	07/14/05	scale		code
				enr	J.VOLSTROF	07/14/05		size dwg no	
				chr	J.VOLSTROF	07/14/05		A SE96872	
				appd	J.VOLSTROF	07/14/05		sheet 2 of 2	
sheet index	revision sheet								

cage code  
22526