



677 MHz Cavity Band Pass Filter



ANATECH ELECTRONICS INC
RF & Microwave Filters & Products

Part Number: AE677B11192

Electrical Specifications

Center Frequency: 677 MHz
Bandwidth: 18 MHz
Passband: 668-686 MHz
Insertion Loss: 1.0 dB Max
Return Loss: 14 dB Min
Rejection: >50 dB @ 0-628 MHz
>50 dB @ 726-2000 MHz
Power Handling: 50 Watts Max

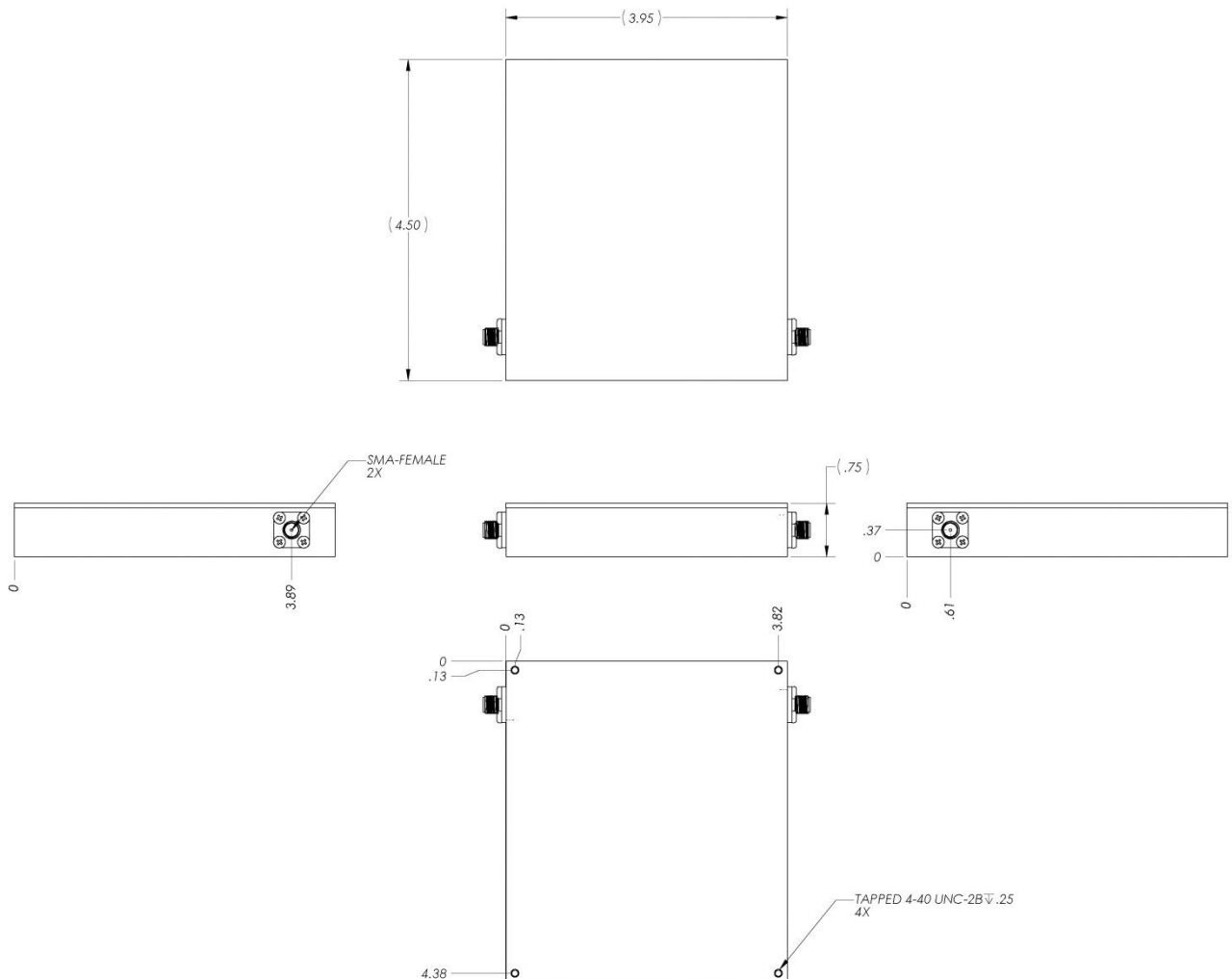
Mechanical

Connector Type: SMA (F)
Dimensions: 4.50 x 3.95 x 0.75 Inches

Environmental

Operating Temperature: -30 to +70° C
Storage Temperature: -40 to +85° C

Outline Drawing:



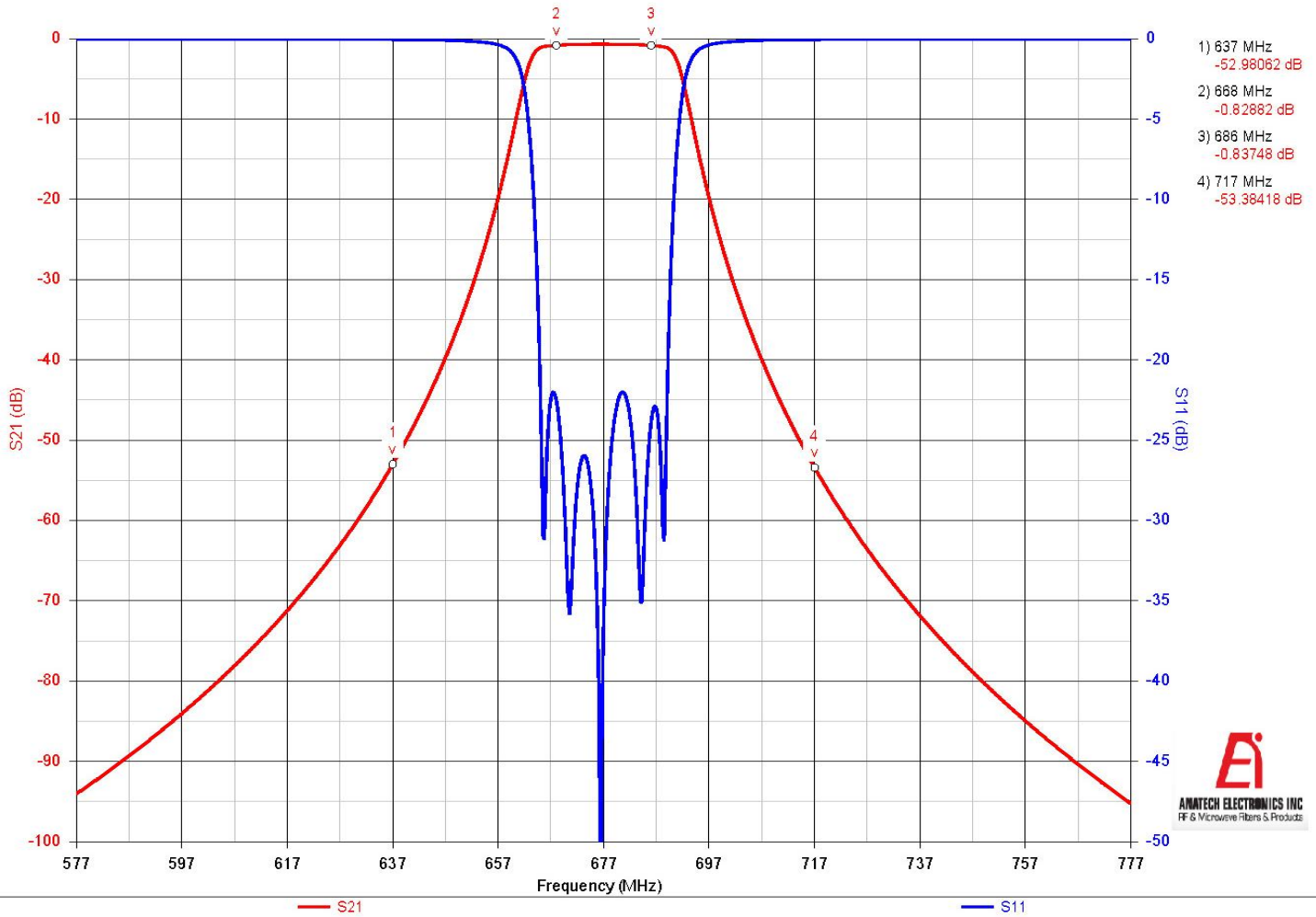


677 MHz Cavity Band Pass Filter

Part Number: AE677B11192



Response Plot:



Note: This is a simulation plot. Actual results may differ once the product is implemented.