

PART NAME: KNOB

SCALE: 1:1

DATE: 6/16/88

DR. BY HD



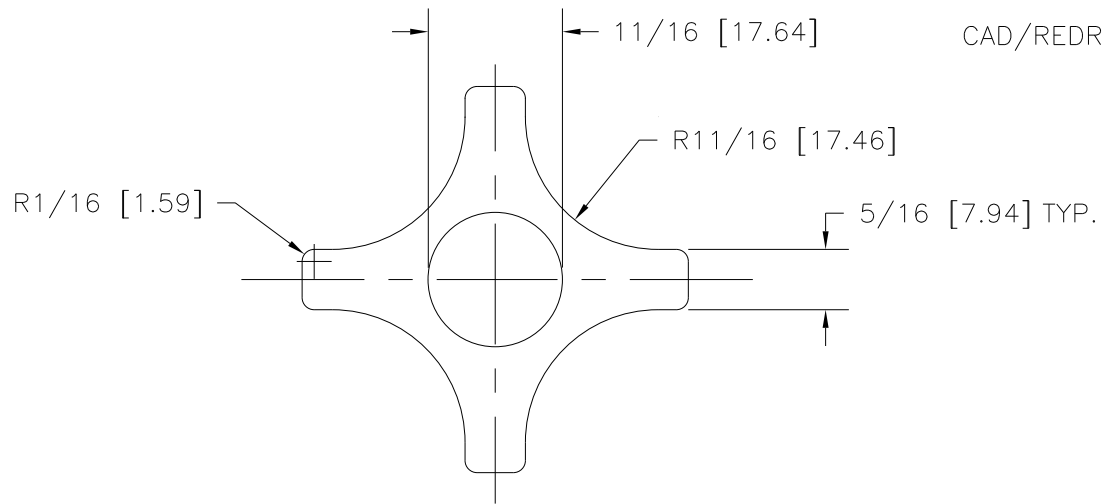
DESIGNERS & MANUFACTURERS OF KNOBS, HANDLES, CASES & CUSTOM PLASTIC COMPONENTS

P/N 2830AH

M^{NO.} 2890-2830

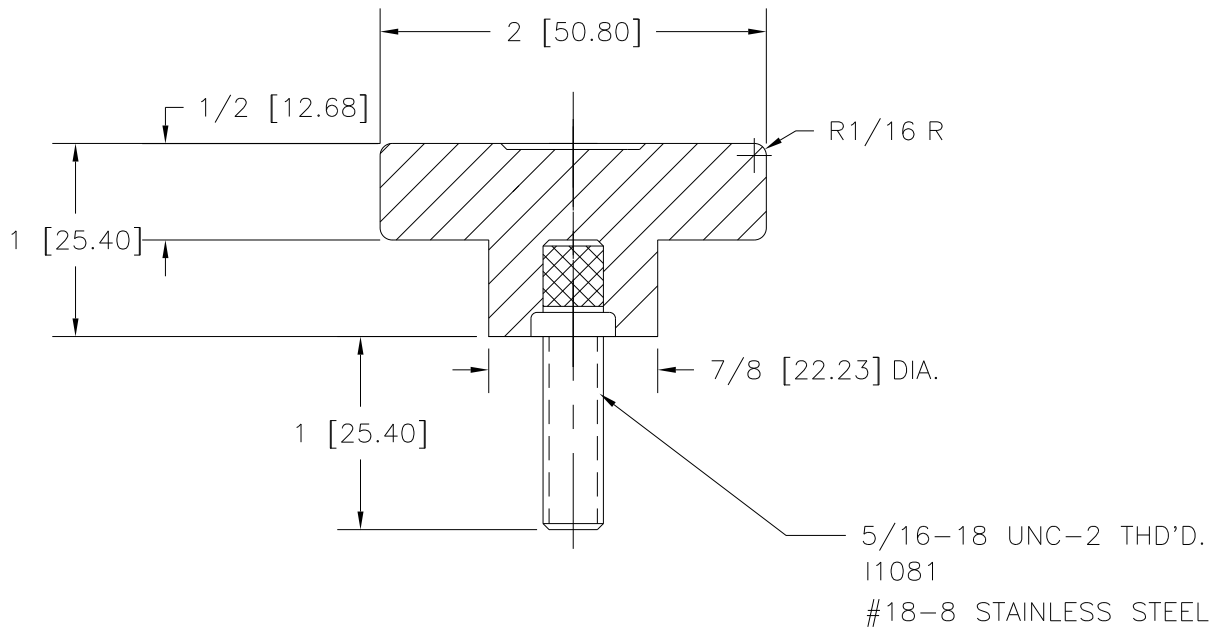
THIS DRAWING IS THE PROPERTY OF DAVIES MOLDING COMPANY, IS SUBMITTED SOLELY AS A DESIGN OR ENGINEERING PROJECT. WE ACCEPT NO RESPONSIBILITY WHATSOEVER FOR THE PRACTICAL APPLICATION OF THE PIECES MADE TO THIS DESIGN.

CAD/REDRAWN : 4/13/93 ; HD



CAVITY	2830
PLUNGER	2830
PLUNGER PIN	2830
PINS	3000-E
LANDING BAR	.472
PIN PLATE SHIM	.498
SHIM	.018
INSERT	I1081

(A)



MATERIAL: PHENOLIC
COLOR: BLACK

TOLERANCES: UNLESS OTHERWISE SPECIFIED	DO NOT SCALE DRAWING				
DECIMALS: X.XXX ± .005 X.XX ± .015	MM: X.XX ± 0.15MM X.X ± 0.4MM	A	SHIM WAS .078	ST	5/11/01
FRACTIONS ± 1/64	ANG. ± 1°	CHANGES			