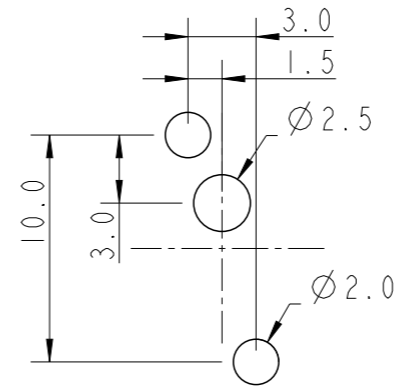
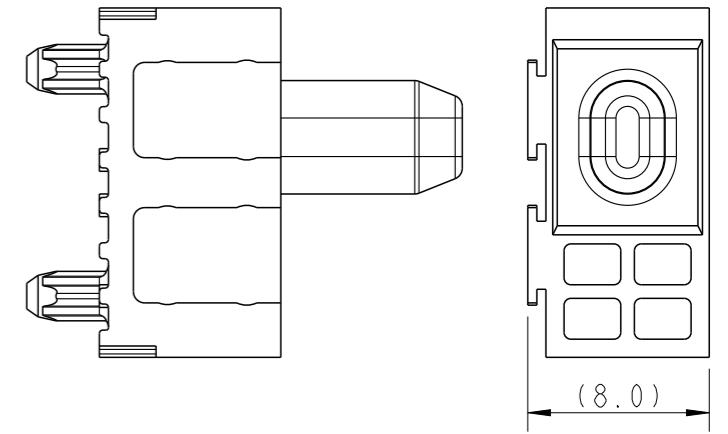


PART NUMBER	DESCRIPTION
10164742-001LF	STR MALE GUIDE WITH LEFT SIDE INTERLOCKING
10164742-002LF	STR MALE GUIDE WITH RIGHT SIDE INTERLOCKING
10164742-003LF	STR MALE GUIDE WITH BOTH SIDE INTERLOCKING

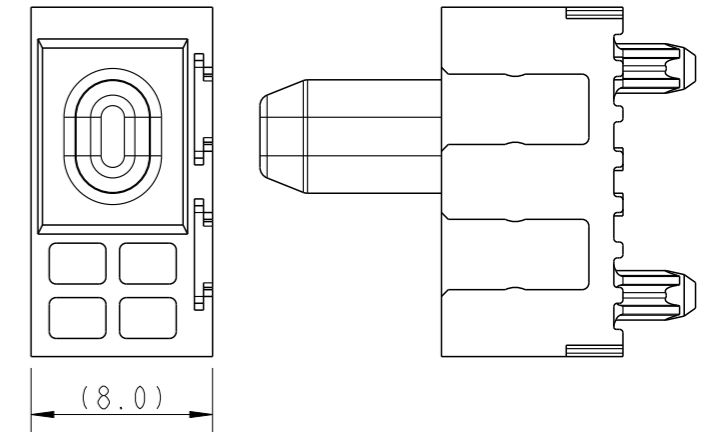
PCB LAYOUT COMPONENT SIDE



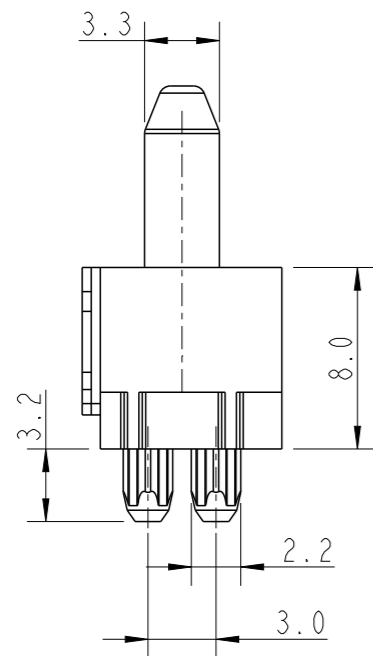
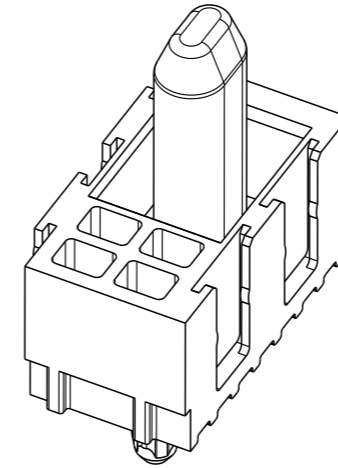
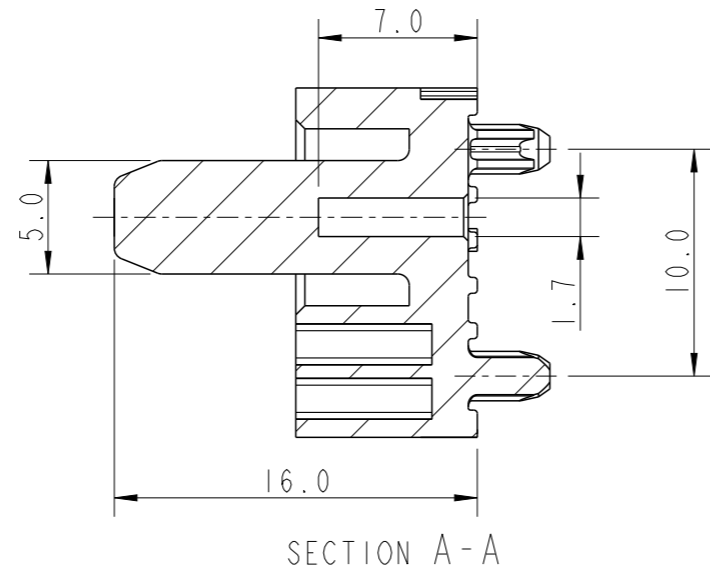
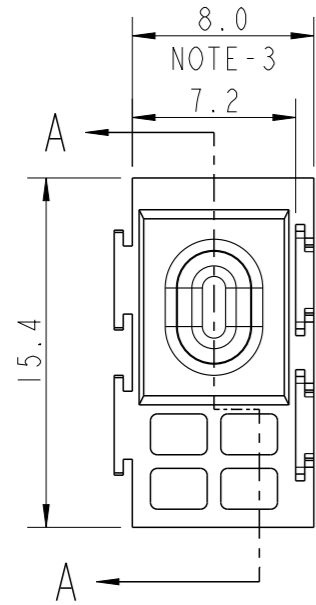
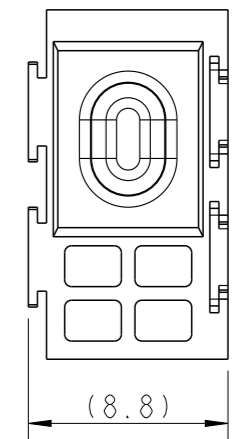
10164742-001LF



10164742-002LF



10164742-003LF



- NOTES :
- MATERIALS
HOUSING : THERMOPLASTIC (UL94 V-0)
 - THIS PRODUCT MEETS EUROPEAN UNION DIRECTIVES AND OTHER COUNTRY REGULATIONS AS DESCRIBED IN GS-47-0004
 - PITCH FOR SCALING

spec ref	dr	Aswin T-S	2023/02/27	projection	mm	size	A3	scale	3:1
tolerance std	eng	Aswin T-S	2023/02/27			ecn no	rel level	Released	rev
ISO 406 ISO 1101	chr	-	-						
surface	linear	0.X	±0.3		product family	MILLIPACS	dwg no	10164742	A
		0.XX	±0.2						
ISO 1302	angular	0°	±°	cat. no.	-	-	sheet 1 of 1		