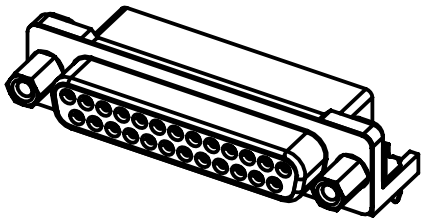
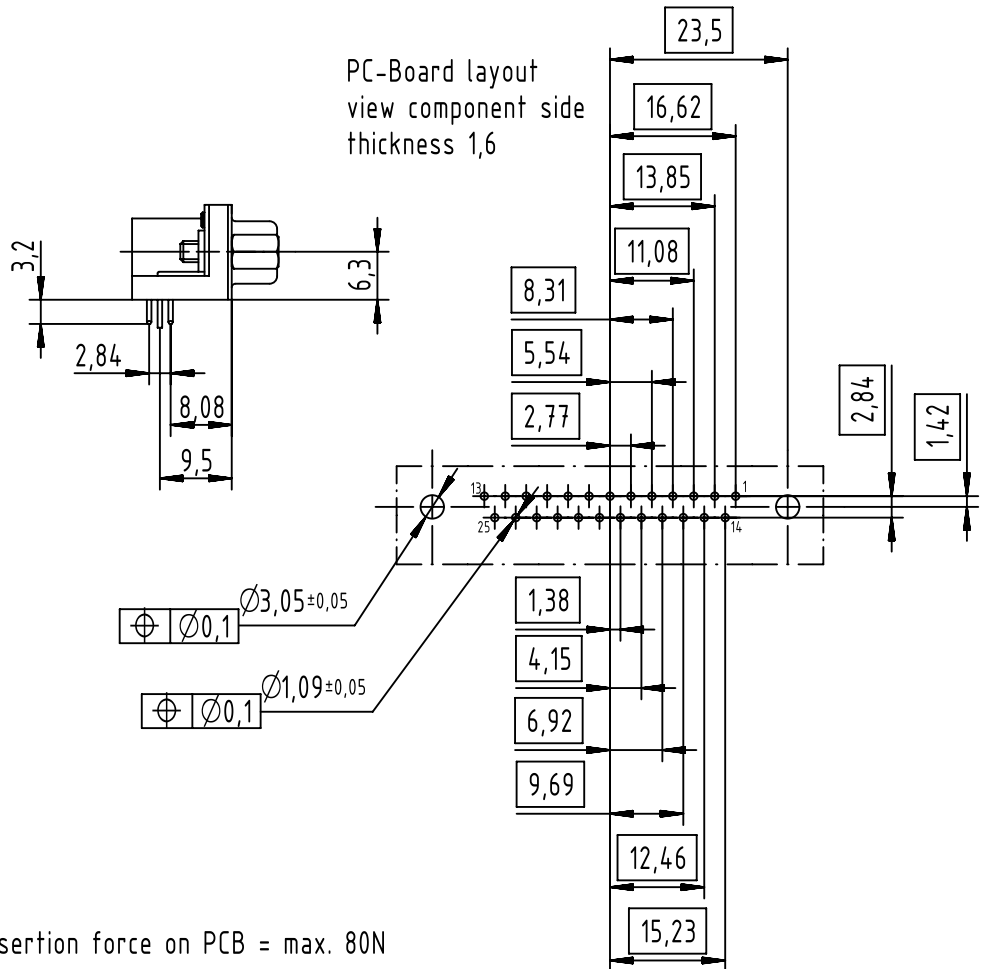
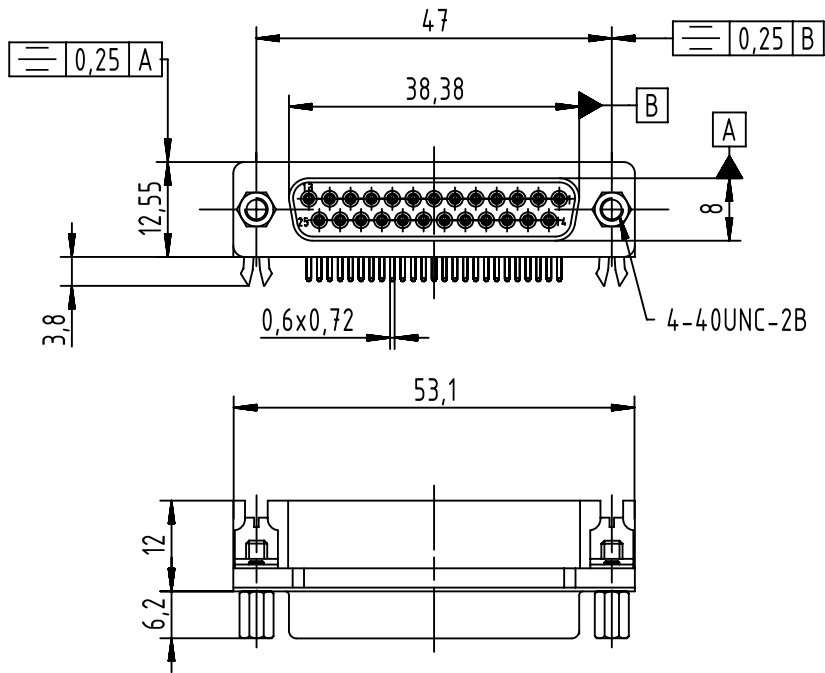


A

B

C

D



Connector insertion force on PCB = max. 80N

09683535613	PLS4
09683537613	PL3
Part number	Performance level

	All rights reserved Department EC PD - CN HARTING Electronics GmbH D-32339 Espelkamp	All Dimensions in mm Original Size DIN A4		Scale 1:1	Free size tol.	Ref. Sub.
		Created by ZENG D	Inspected by LUOK	Standardisation HOFFMANN	Date 2017-11-07	State Final Release
Title D-Sub STD 25-pole female angled board locks						Doc-Key / ECM-Nr. 100539809/UGD/001/C 500000126855
Type TB		Number 0968353X613			Rev. C	Page 1/1