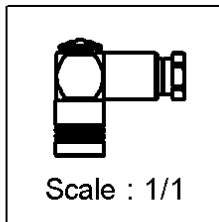
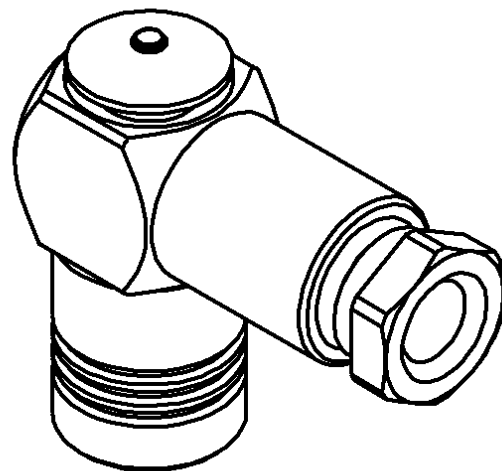
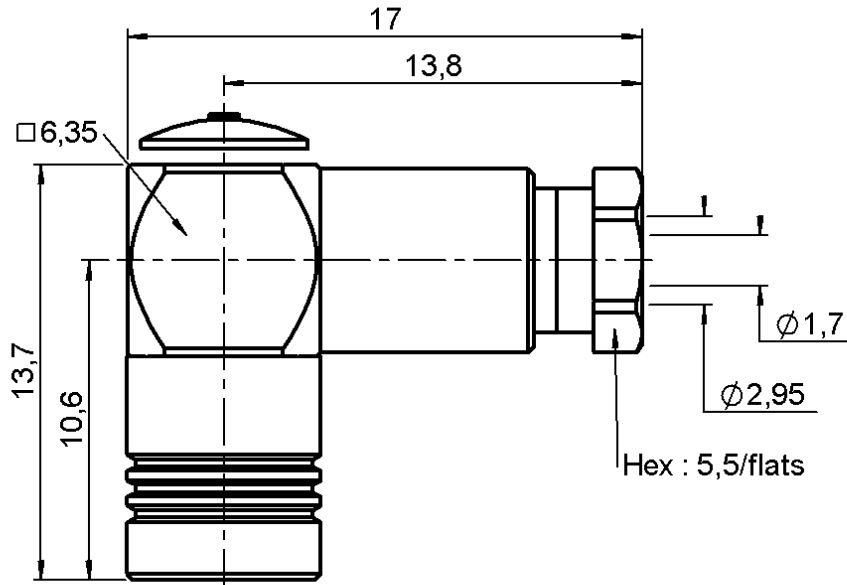


**RIGHT ANGLE PLUG CLAMP TYPE**

**CABLE 2.6/50+75 S**

**R114.165.133**

Series : SMB



All dimensions are in mm.



COMPONENTS	MATERIALS	PLATINGS (µm)
BODY	BRASS	GOLD 0.2 OVER NICKEL 2
CENTER CONTACT	BERYLLIUM COPPER	GOLD 1.3 OVER NICKEL 2
OUTER CONTACT	BERYLLIUM COPPER	GOLD 0.5 OVER NICKEL 2
INSULATOR	PTFE	
GASKET	-	
OTHERS PARTS	BRASS	GOLD 0.2 OVER NICKEL 2
-	-	-
-	-	-

Issue : 0046 C

In the effort to improve our products, we reserve the right to make changes judged to be necessary.



**RIGHT ANGLE PLUG CLAMP TYPE**

**R114.165.133**

**CABLE 2.6/50+75 S**

Series : SMB

**PACKAGING**

Standard	Unit	Other
<b>100</b>	<b>'W' option</b>	<b>Contact us</b>

**SPECIFICATION**

**CABLE ASSEMBLY**

**ELECTRICAL CHARACTERISTICS**

Stripping	a	b	c	d	e	f
mm	2.00	1.00	7.00	3.18	5.00	0.00

Impedance		<b>50</b>	$\Omega$
Frequency		<b>0-4</b>	GHz
VSWR	<b>1.35</b> +	<b>0.040</b>	x F(GHz) Maxi
Insertion loss		<b>0.50</b>	$\sqrt{F}$ (GHz) dB Maxi
RF leakage	- (	<b>57</b>	- F(GHz)) dB mini
Voltage rating		<b>335</b>	Veff Maxi
Dielectric withstanding voltage		<b>1000</b>	Veff mini
Insulation resistance		<b>1000</b>	M $\Omega$ mini

Assembly instruction :

Recommended cable(s)

KX 22A  
RG 188  
RG 179  
RG 187  
RG 316

**MECHANICAL CHARACTERISTICS**

Cable retention

- pull off **110** N mini  
- torque **NA** N.cm

Center contact retention			
Axial force – Mating end		<b>10</b>	N mini
Axial force – Opposite end		<b>10</b>	N mini
Torque		<b>NA</b>	N.cm mini

**TOOLING**

Part Number	Description	Hexagon
.	.	.

Recommended torque			
Mating		<b>NA</b>	N.cm
Panel nut		<b>NA</b>	N.cm
Clamp nut		<b>63.70</b>	N.cm
A/F clamp nut		<b>5.500</b>	mm

**OTHERS CHARACTERISTICS**

Mating life		<b>500</b>	Cycles mini
Weight		<b>4.800</b>	g

**ENVIRONMENTAL**

Operating temperature		<b>-65/+165</b>	$^{\circ}$ C
Hermetic seal		<b>NA</b>	Atm.cm3/s
Panel leakage		<b>NA</b>	

Issue : 0046 C

In the effort to improve our products, we reserve the right to make changes judged to be necessary.



**RIGHT ANGLE PLUG CLAMP TYPE**

**R114.165.133**

**CABLE 2.6/50+75 S**

Series : SMB

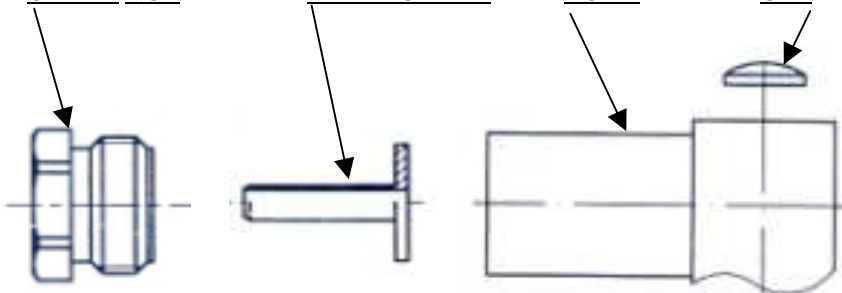
**COMPONENTS**

CLAMP NUT

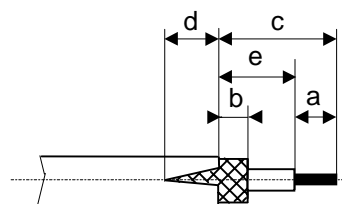
BRAID-CLAMP

BODY

CAP

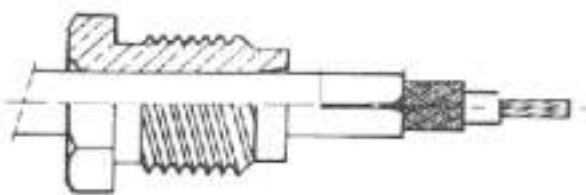


**STRIPPING DIMENSIONS**



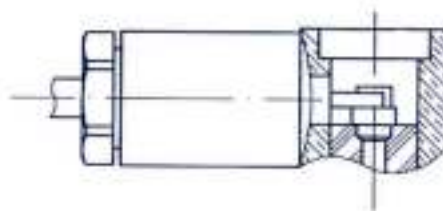
**1**

Mount the clamp nut  
Strip off the cable then make 2 slits in the sheat 180°  
apart longitudinally.



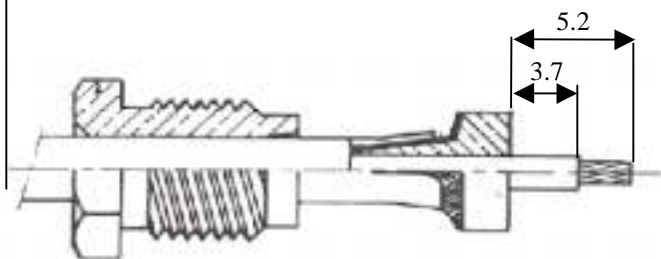
**3**

Screw sub-assembly into the connector body with the  
adapted wrench.  
Recommended coupling torque (see connector TDS).  
Solder the inner conductor.



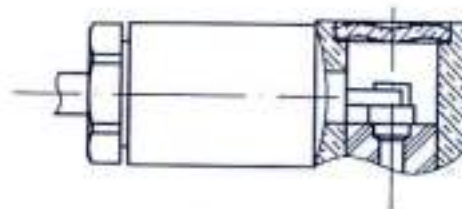
**2**

Mount the braid clamp  
Strip off the cable



**4**

Place the cap into the body.  
Press on the cap flush or slightly below the surface of  
the body assembly.



Issue : 0046 C

In the effort to improve our products, we reserve the right to make changes judged to be necessary.

