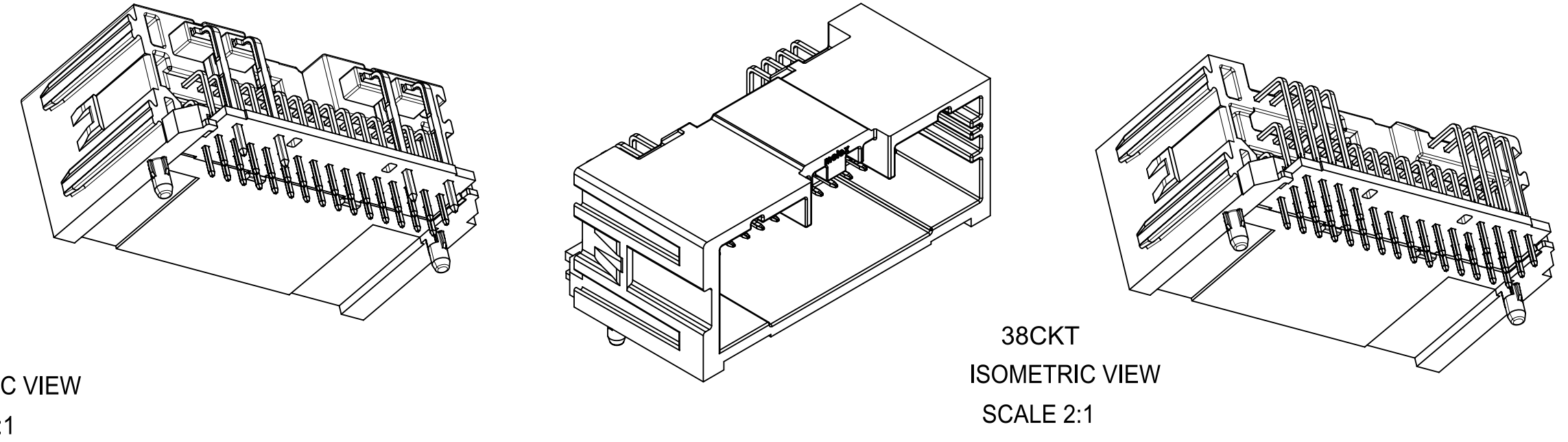
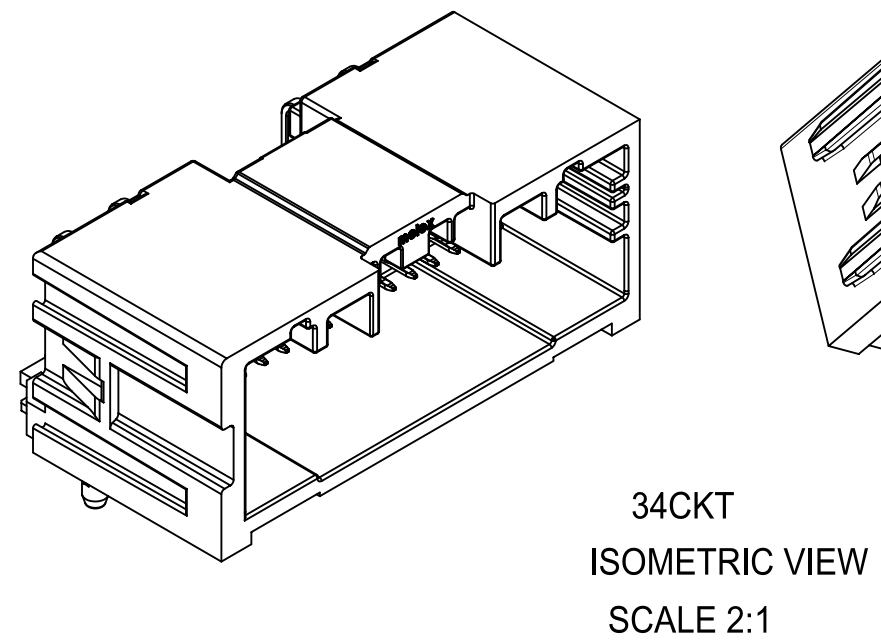


TABLE OF CONTENTS	
SHEET NO.	SHEET DESCRIPTION
1	NOTES, INSPECTION BALLOON NUMBER LOG, NOMINAL DIMENSION RANGE LIST, REV.COLUMN, HEADER ASSEMBLY LIST, ISOMETRIC VIEW
2	34&38CKT POLARIZATION OPTION VIEW, HB/V0 HEADER DIFFERENCE VIEW
3	PIN INSERTION DIRECTION VIEW PAP HOLE SHAPE VIEW
4	DETAIL DIMENSION VIEW
5	DETAIL DIMENSION VIEW
6	REFERENCE PCB LAYOUT



NOTES: VALID UNLESS OTHERWISE SPECIFIED  
1. GENERAL:  
a. CONNECTOR HEADER MUST BE VALIDATED TO THE FOLLOWING FUNCTIONAL REQUIREMENTS:  
HB VALIDATION SPECIFICATION: GMW3191 JUNE 2012  
V0 VALIDATION SPECIFICATION: USCAR-2 REV6  
SOLDERABILITY: SMES-152

b. APPLICATION SPECIFICATION: AS-34959-001  
TEST SUMMARY:  
HB: TS-34961-001  
V0: 2133550000-TS  
PRODUCT SPECIFICATION:  
HB: PS-34959-001  
V0: 2133550000-PS  
COSMETIC SPECIFICATION: PS-45499-002 Class B  
GEOMETRIC TOLERANCING: SEE DIN 16901 TABLE  
MATES WITH: SD-34959-030  
PACKAGING SPECIFICATION: SEE TABLE.

2. DESIGN: MATERIALS:  
a. SHROUD (PLASTIC HOUSING):  
HB RESIN - SPS  
V0 RESIN - SPS

b. PIN ALIGNMENT PLATE:  
HB RESIN - SPS  
V0 RESIN - SPS

c. 0.50MM BLADES:  
BASE MATERIAL: BRASS  
PLATING TYPE: AS NOTED

d. 1.20MM BLADES:  
BASE MATERIAL: BRASS  
PLATING TYPE: AS NOTED

3. PLATING REQUIREMENTS:

a. UNDERPLATING - OVERALL NICKEL

b. OVERPLATING - OVERALL REFLOWED TIN

4. CROSS-HATCHED AREAS MAKE CONTACT WITH PCB

MINI50 34/38CKT RIGHT ANGLE HEADER ASSEMBLY LIST

MATERIAL NUMBER			CKT SIZE	PIN INSERTION DIRCTION	PAP HOLE SHAPE	FLAMMABILITY UL94	POLARIZATION	COLOR	STATUS
TRAY PACKAGING PK-31302-070	TUBE PACKAGING PK-31301-688	TAPE AND REEL PK-47799-0001							
34961-0340	34961-7340	34961-8340	34	PCB TO MATING	ROUND	HB	A	BLACK	OBSOLETED
34961-0341	34961-7341	34961-8341	34	PCB TO MATING	ROUND	HB	B	GREY	OBSOLETED
34961-0342	34961-7342	34961-8342	34	PCB TO MATING	ROUND	HB	C	DK GREY	OBSOLETED
34961-0380	34961-7380	34961-8380	38	PCB TO MATING	ROUND	HB	A	BLACK	OBSOLETED
34961-0381	34961-7381	34961-8381	38	PCB TO MATING	ROUND	HB	B	GREY	OBSOLETED
34961-0382	34961-7382	34961-8382	38	PCB TO MATING	ROUND	HB	C	DK GREY	OBSOLETED
34961-0383	34961-7383	34961-8383	38	PCB TO MATING	ROUND	HB	UPDATED A	BLACK	OBSOLETED
34961-0384	34961-7384	34961-8384	38	PCB TO MATING	ROUND	HB	UPDATED B	GREY	OBSOLETED
34961-0385	34961-7385	34961-8385	38	PCB TO MATING	ROUND	HB	UPDATED C	DK GREY	OBSOLETED
34961-0343	34961-7343	34961-8343	34	MATING TO PCB	SQUARE	HB	A	BLACK	SALEABLE
34961-0344	34961-7344	34961-8344	34	MATING TO PCB	SQUARE	HB	B	GREY	SALEABLE
34961-0345	34961-7345	34961-8345	34	MATING TO PCB	SQUARE	HB	C	DK GREY	SALEABLE
34961-0386	34961-7386	34961-8386	38	MATING TO PCB	SQUARE	HB	UPDATED A	BLACK	SALEABLE
34961-0387	34961-7387	34961-8387	38	MATING TO PCB	SQUARE	HB	UPDATED B	GREY	SALEABLE
34961-0388	34961-7388	34961-8388	38	MATING TO PCB	SQUARE	HB	UPDATED C	DK GREY	SALEABLE
2133550340	2133557340	2133558340	34	PCB TO MATING	ROUND	V0	A	BLACK	OBSOLETED
2133550341	2133557341	2133558341	34	PCB TO MATING	ROUND	V0	B	GREY	OBSOLETED
2133550342	2133557342	2133558342	34	PCB TO MATING	ROUND	V0	C	DK GREY	OBSOLETED
2133550380	2133557380	2133558380	38	PCB TO MATING	ROUND	V0	UPDATED A	BLACK	OBSOLETED
2133550381	2133557381	2133558381	38	PCB TO MATING	ROUND	V0	UPDATED B	GREY	OBSOLETED
2133550382	2133557382	2133558382	38	PCB TO MATING	ROUND	V0	UPDATED C	DK GREY	OBSOLETED
2133550343	2133557343	2133558343	34	MATING TO PCB	SQUARE	V0	A	BLACK	SALEABLE
2133550344	2133557344	2133558344	34	MATING TO PCB	SQUARE	V0	B	GREY	SALEABLE
2133550345	2133557345	2133558345	34	MATING TO PCB	SQUARE	V0	C	DK GREY	SALEABLE
2133550383	2133557383	2133558383	38	MATING TO PCB	SQUARE	V0	UPDATED A	BLACK	SALEABLE
2133550384	2133557384	2133558384	38	MATING TO PCB	SQUARE	V0	UPDATED B	GREY	SALEABLE
2133550385	2133557385	2133558385	38	MATING TO PCB	SQUARE	V0	UPDATED C	DK GREY	SALEABLE

K1	SHEET 1: UPDATED PRODUCT STATUS IN ASSEMBLY LIST TABLE SHEET 2: UPDATED 38CKT UPDATED KEY B & KEY C VIEWS	CO-000002963
K	SHEET 5: ADDED DIM28 TO DIM37 ALL SHEET: UPDATED PRODUCT VIEWS	CO-000000686
J6	CREATED NEW REVISION TO UPLOAD DRAWING IN MDS SYSTEM	CO-000000910
J5	SHEET 1: ADDED NEW PART NUMBER IN TABLE SHEET 1: ADDED NOTE 4 SHEET 3: ADDED SHEET TO SHOW PIN INSERTION DIRECTION VIEW AND PAP HOLE SHAPE VIEW	CO-000000910
J4	SHEET 3: UPDATED BALLOON NUMBER	668374
J3	1. SHEET 1: UPDATED NOTES INFORMATION 2. SHEET 3: ADDED "BEFORE SOLDERING" NOTE TO DIM 3 3. SHEET 3: ADDED DIM 3A	663659
J2	1. SHEET 1: UPDATED NOTES INFORMATION 2. SHEET 1: UPDATED V0 PRODUCT STATUS 3. SHEET 4: DIM 3: 10.77±0.18 WAS 10.77(+0.13/-0.08) 4. SHEET 5: REMOVED BALLOON NUMBER FOR DIMENSION OF PCB LAYOUT	658910
J1	1. UPDATED BELOW PART NUMBER STATUS TO OBSOLETED: 34961-0380, 34961-7380, 34961-8380 34961-0381, 34961-7381, 34961-8381 34961-0382, 34961-7382, 34961-8382 2. UPDATED BELOW V0 PART NUMBER STATUS TO SALEABLE: 2133550340, 2133557340, 2133558340 3. ADDED V0 VALIDATION SPECIFICATION & V0 PRODUCT SPECIFICATION INFORMATION IN NOTES	631858
J	1. ADDED V0 NEW PART NUMBER IN SHEET 1: 2133550340, 2133550341, 2133550342, 2133550380, 2133550381, 2133550382 2133557340, 2133557341, 2133557342, 2133557380, 2133557381, 2133557382 2133558340, 2133558341, 2133558342, 2133558380, 2133558381, 2133558382 2. ADDED SHEET 2 TO SHOW 34&38CKT POLARIZATION OPTION & HB / V0 VERSION DIFFERENCE 3. ADDED V0 PLASTIC MATERIAL INFORMATION IN NOTES	626237
H1	1. UPDATED NEWEST VIEW OF THE POLARIZATION OPTION UPDATED A & B C. 2. ADDED DIM1A, DIM 3A, DIM 6A, DIM 7A. 3. UPDATED PRODUCT STATUS. 4. UPDATED DIM 26: 0.4±0.03 WAS 0.4±0.10	609559
H	ADDED THE FOLLOW ITEMS TO CUSTOMER DRAWING: 1. ADDED DATUM F, DATUM G AND DATUM H, SEE SHEET 2 AND SHEET 3. 2. ADDED NEW UPWARD VIEW FOR 38WAY HEADER ASSEM, SEE SHEET 2. 3. ADDED NEW VIEW SECTION X-X, SECTION Y-Y, SECTION Z-Z AND SECTION W-W, SEE SHEET 3.	10904363
G	ADDED NEW VIEW OF UPDATED POL A & B C, SEE SHEET 1. ADDED NEW P/N: 34961-0383 \ 34961-0384 \ 34961-0385 \ 34961-7383 \ 34961-7384 \ 34961-7385 \ 34961-8383 \ 34961-8384 \ 34961-8385 IN THE BOM ON SHEET 1. ADDED PRODUCT STATUS IN BOM.	10885609
REV	REV DESCRIPTION	ECN SAP NO.

INSPECTION BALLOON NUMBER LOG
PER DRAWING REVISION: K1
LAST BALLOON NUMBER USED: 37
ADDED BALLOON NUMBERS:
REMOVED BALLOON NUMBERS:

DIN 16901	CODE LETTER	NOMINAL DIMENSION RANGE													
		OVER UP TO	0	1	3	6	10	15	22	30	40	53	70	90	120
PRECISION ENGINEERING	A		±0.10	±0.12	±0.14	±0.16	±0.20	±0.22	±0.24	±0.26	±0.28	±0.31	±0.35	±0.40	±0.50
	B		±0.05	±0.06	±0.07	±0.08	±0.10	±0.12	±0.14	±0.16	±0.18	±0.21	±0.25	±0.30	±0.40
A: FOR NON-MOLD RELATED DIMENSIONS (ACROSS PARTING LINE)															
B: FOR MOLD RELATED DIMENSIONS (WITHIN MOLD COMPONENTS)															

FUNCTIONAL SYMBOLS	THIS DRAWING CONTAINS INFORMATION THAT IS PROPRIETARY TO MOLEX ELECTRONIC TECHNOLOGIES, LLC AND SHOULD NOT BE USED WITHOUT WRITTEN PERMISSION		CURRENT REV DESC: REFER TO REVISION COLUMN			
	FA = 0	mm	SCALE	2:1		
DIVISIONAL SYMBOLS	GENERAL TOLERANCES (UNLESS SPECIFIED)		STATUS: Production			
	FC = 0	ANGULAR TOL ± 0.5°	DRWN: Shanks Wu			
DIVISIONAL SYMBOLS	4 PLACES ±	2023-04-03		DOCUMENT NUMBER		
	3 PLACES ±	2023-05-19			DOC TYPE   DOC PART   REVISION	
	2 PLACES ±	SD-34961-030				PSD   001   K1
	1 PLACE ±	GENERAL MARKET				
0 PLACES ±	DRAFT WHERE APPLICABLE MUST REMAIN WITHIN DIMENSIONS		SHEET NUMBER			
THIRD ANGLE PROJECTION		DRAWING	SERIES	MATERIAL NUMBER		
D-DRAWING		34961	CUSTOMER		SHEET NUMBER	
D-DRAWING		GENERAL MARKET		1 OF 6		



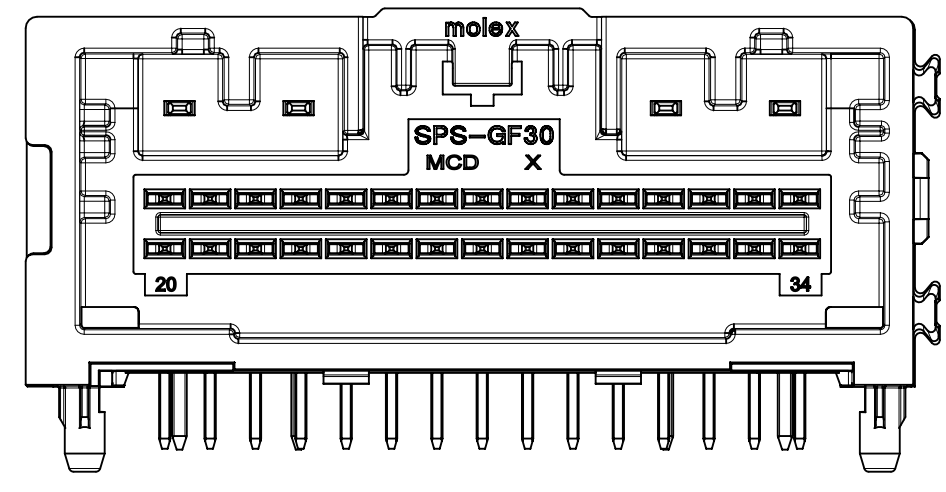
34 & 38CKT MINI50  
RIGHT ANGLE HEADER ASSEMBLY SALES DRAWING

PRODUCT SALES DRAWING

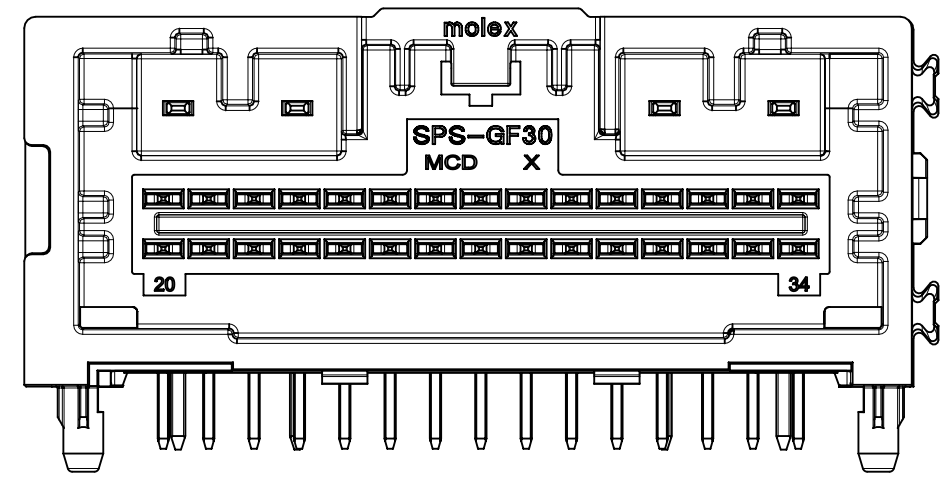
DOCUMENT NUMBER: SD-34961-030  
DOC TYPE: PSD  
DOC PART: 001  
REVISION: K1

MATERIAL NUMBER: 34961  
CUSTOMER: GENERAL MARKET  
SHEET NUMBER: 1 OF 6

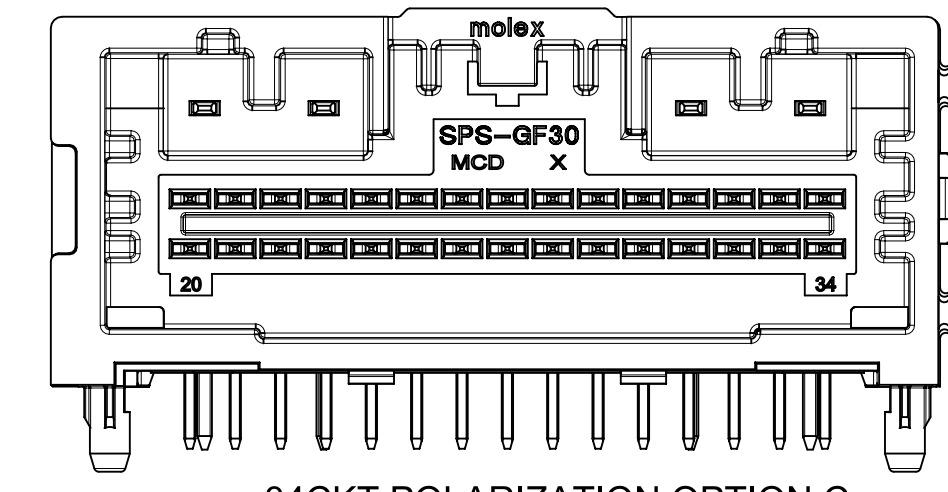
TABLE OF CONTENTS	
SHEET NO.	SHEET DESCRIPTION
2	34&38CKT POLARIZATION OPTION VIEW HB/V0 HEADER DIFFERENCE VIEW



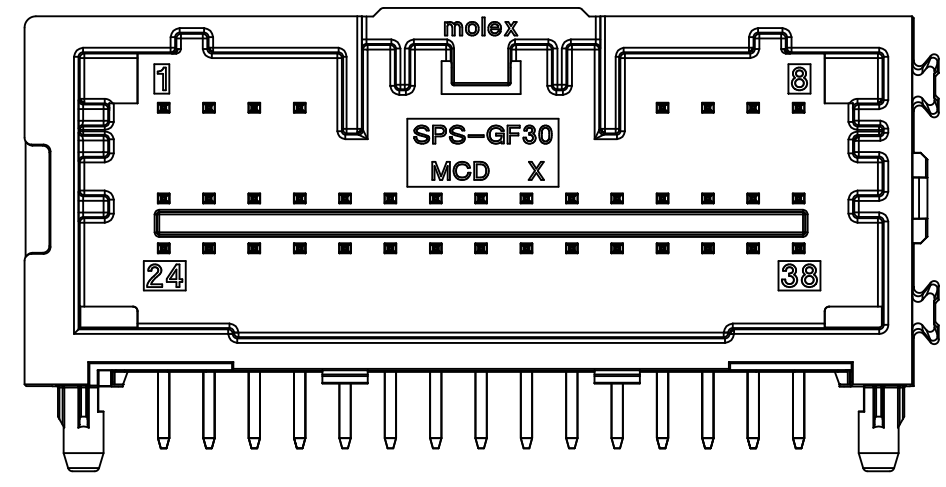
34CKT POLARIZATION OPTION A



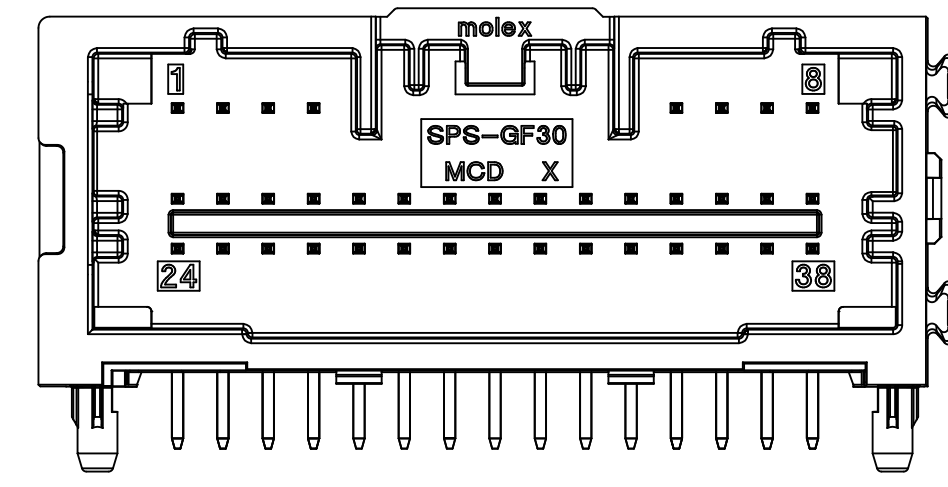
34CKT POLARIZATION OPTION B



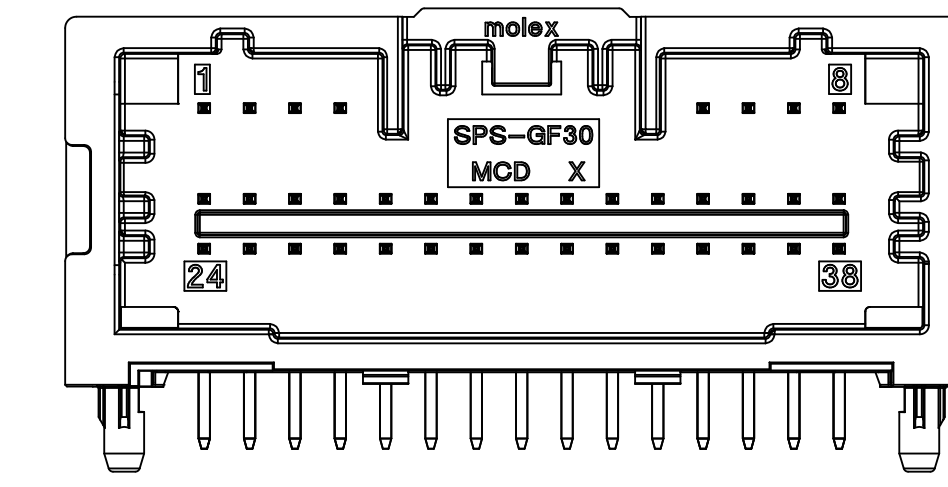
34CKT POLARIZATION OPTION C



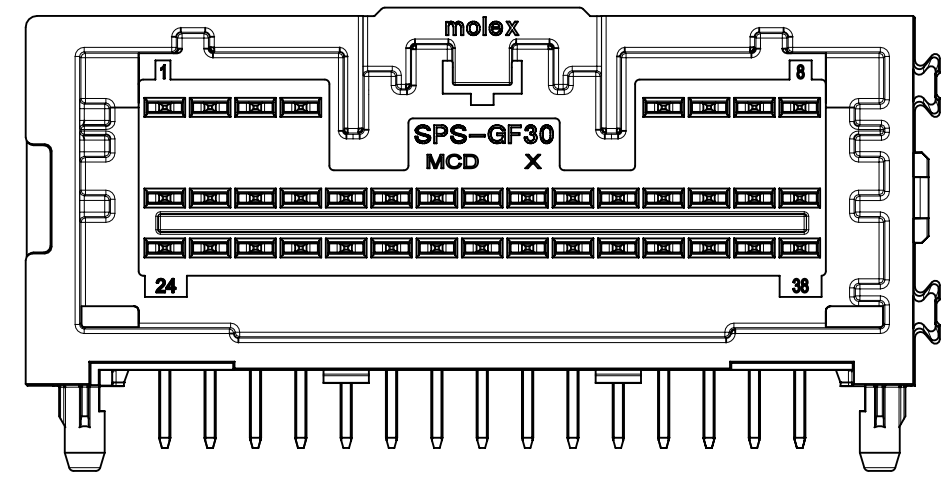
38CKT POLARIZATION OPTION A  
(OBSOLETE)



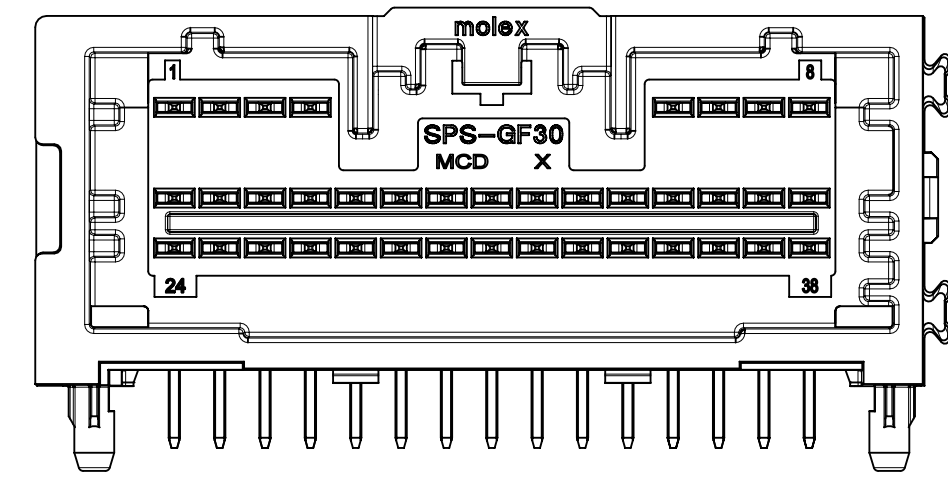
38CKT POLARIZATION OPTION B  
(OBSOLETE)



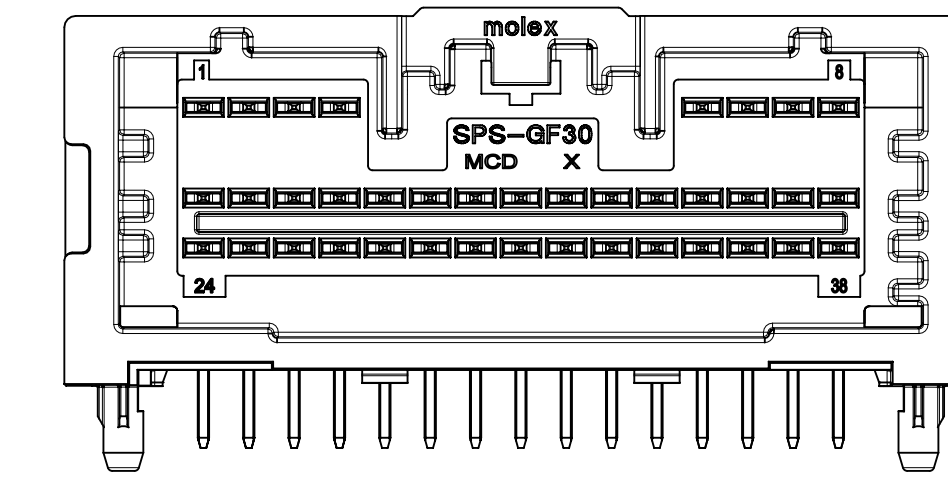
38CKT POLARIZATION OPTION C  
(OBSOLETE)



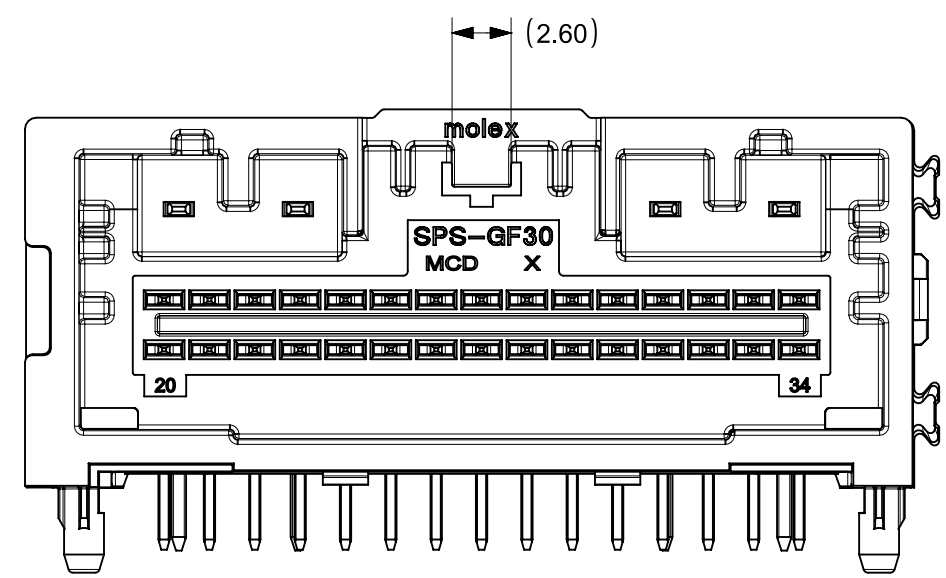
38CKT POLARIZATION OPTION UPDATED A



38CKT POLARIZATION OPTION UPDATED B

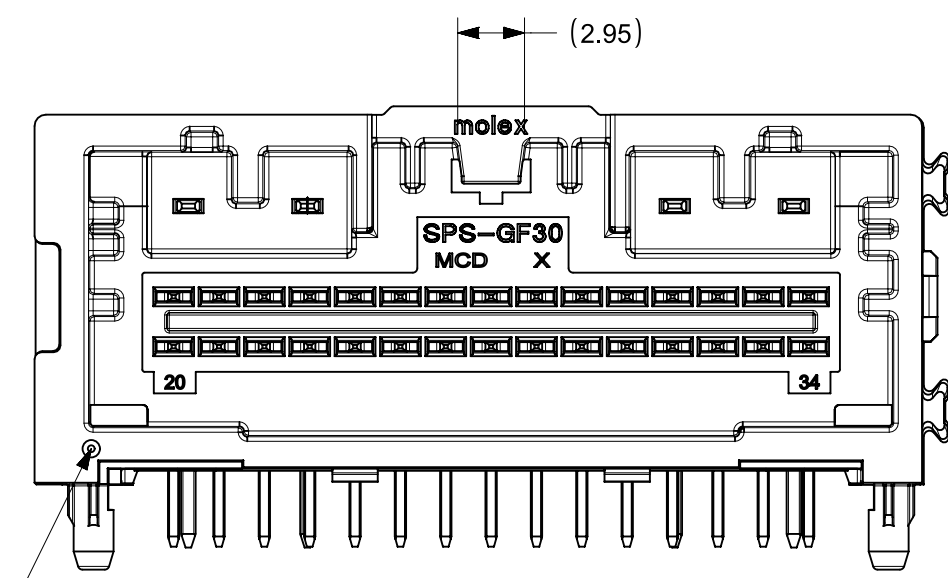


38CKT POLARIZATION OPTION UPDATED C



HB P/Ns: 34961XXXX  
APPLIES TO ALL CKT SIZES, USE 34CKT AS SHOWN

HB / V0 VERSION DIFFERENCE



V0 P/Ns: 213355XXXX  
APPLIES TO ALL CKT SIZES, USE 34CKT AS SHOWN

DEPRESSION FEATURE ADDED TO V0 PART TO DISTINGUISH FROM HB PART

HOLE FEATURE ADDED TO V0 PART TO DISTINGUISH FROM HB PART

FUNCTIONAL SYMBOLS $F_A = 0$ $F_C = 0$ $F_D = 0$	THIS DRAWING CONTAINS INFORMATION THAT IS PROPRIETARY TO MOLEX ELECTRONIC TECHNOLOGIES, LLC AND SHOULD NOT BE USED WITHOUT WRITTEN PERMISSION		CURRENT REV DESC: REFER TO REVISION COLUMN	
	DIMENSION UNITS	SCALE		
	mm	3:1		
	GENERAL TOLERANCES (UNLESS SPECIFIED)			
ANGULAR TOL		±	0.5°	
4 PLACES		±		
3 PLACES		±		
2 PLACES		±		
1 PLACE		±		
0 PLACES		±		
DRAFT WHERE APPLICABLE MUST REMAIN WITHIN DIMENSIONS		THIRD ANGLE PROJECTION	DRAWING	SERIES
			D-SIZE	34961
			MATERIAL NUMBER	CUSTOMER
			SD-34961-030	GENERAL MARKET
			DOCUMENT NUMBER	DOC TYPE   DOC PART   REVISION
			PSD	001   K1
			STATUS: Production	SHEET NUMBER
			DRWN: Shanks Wu	2 OF 6
			CHK'D: Ringo Hu	
			APPR: Ringo Hu	
			2023-04-03	
			2023-05-19	

**molex**

34 & 38CKT MINI50  
RIGHT ANGLE HEADER ASSEMBLY SALES DRAWING

PRODUCT SALES DRAWING

DOCUMENT NUMBER | DOC TYPE | DOC PART | REVISION

SD-34961-030 | PSD | 001 | K1

MATERIAL NUMBER | CUSTOMER

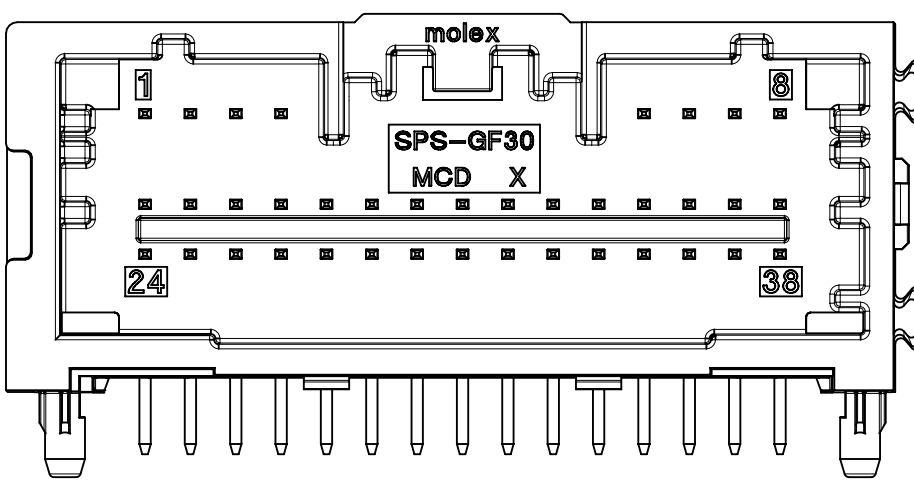
GENERAL MARKET

SHEET NUMBER

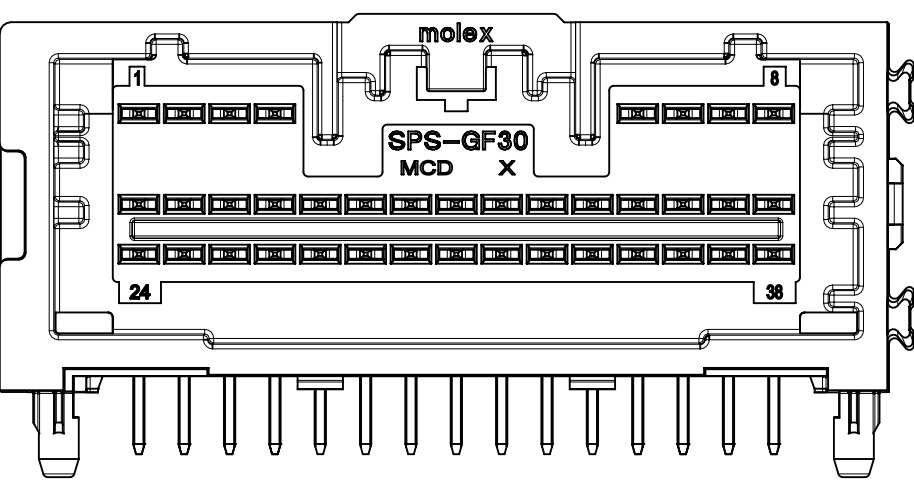
2 OF 6

TABLE OF CONTENTS	
SHEET NO.	SHEET DESCRIPTION
3	PIN INSERTION DIRECTION VIEW PAP HOLE SHAPE VIEW

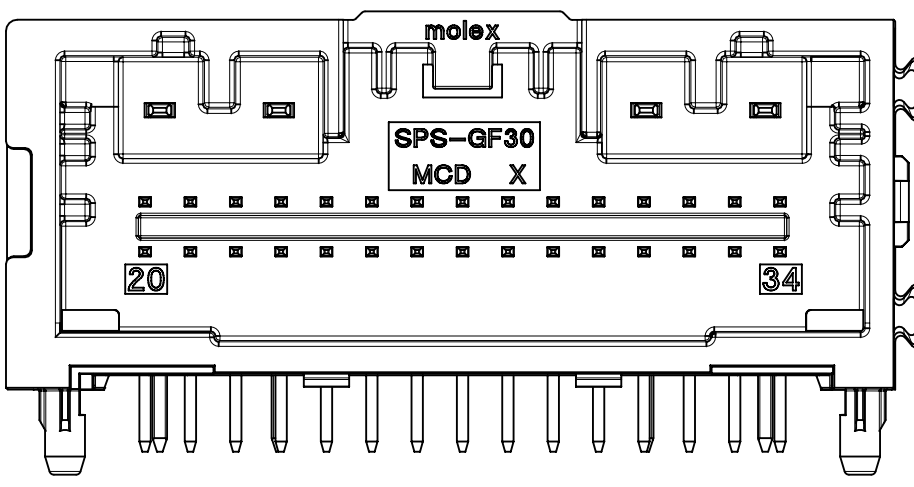
PIN INSERTION DIRECTION VIEW



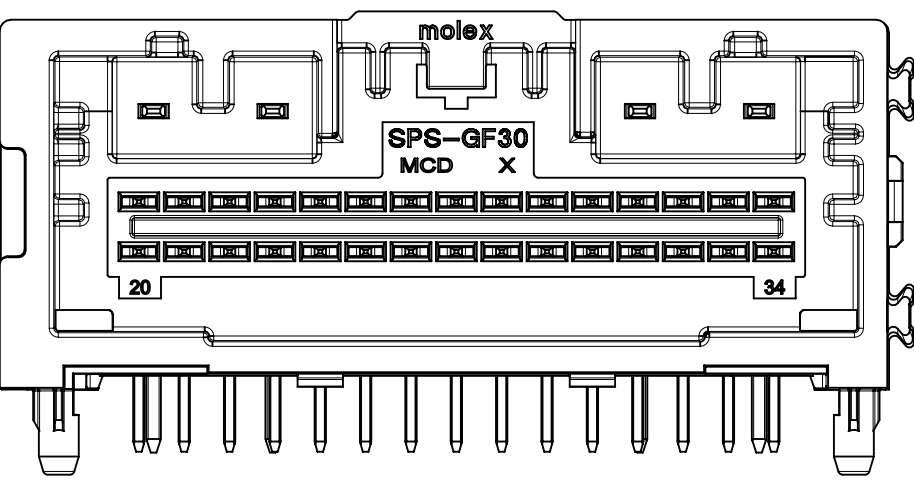
38CKT PIN INSERTION DIRECTION  
PCB SIDE TO MATING SIDE



38CKT PIN INSERTION DIRECTION  
MATING SIDE TO PCB SIDE

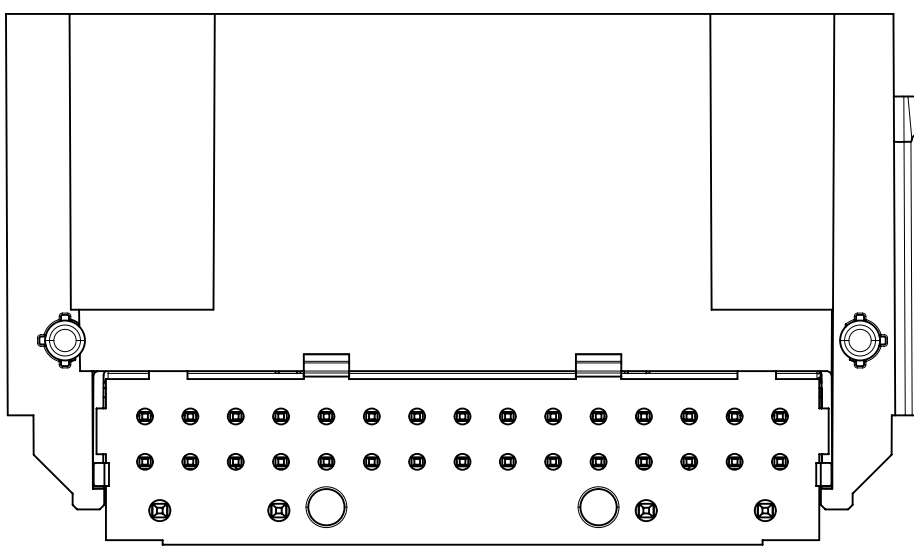


34CKT PIN INSERTION DIRECTION  
PCB SIDE TO MATING SIDE

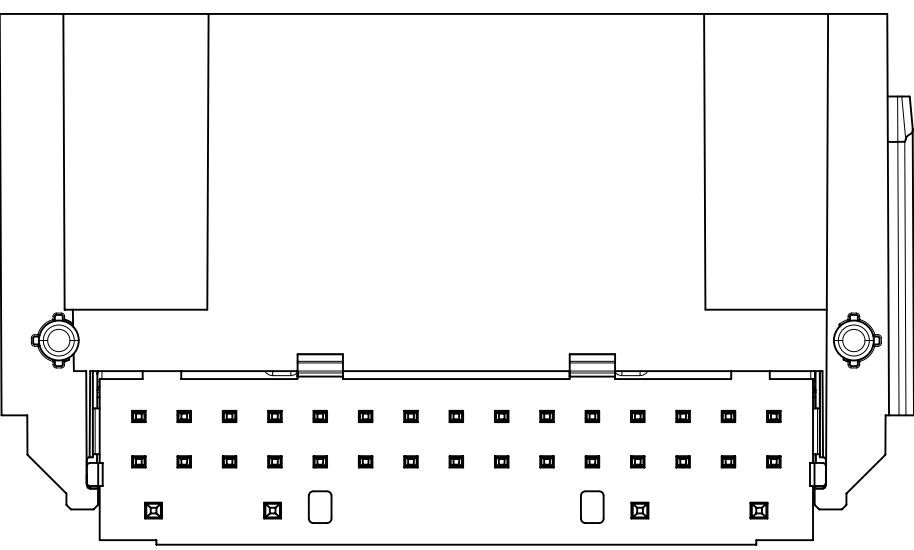


34CKT PIN INSERTION DIRECTION  
MATING SIDE TO PCB SIDE

PAP HOLE SHAPE VIEW



PAP HOLE SHAPE  
ROUND



PAP HOLE SHAPE  
SQUARE

FUNCTIONAL SYMBOLS	THIS DRAWING CONTAINS INFORMATION THAT IS PROPRIETARY TO MOLEX ELECTRONIC TECHNOLOGIES, LLC AND SHOULD NOT BE USED WITHOUT WRITTEN PERMISSION		CURRENT REV DESC: REFER TO REVISION COLUMN	
	DIMENSION UNITS	SCALE		
$F_A = 0$	mm	3:1		
$F_C = 0$	GENERAL TOLERANCES (UNLESS SPECIFIED)			
$F_P = 0$	ANGULAR TOL $\pm 0.5^\circ$			
DIVISIONAL SYMBOLS	4 PLACES	$\pm$		
	3 PLACES	$\pm$		
	2 PLACES	$\pm$		
	1 PLACE	$\pm$		
	0 PLACES	$\pm$		
DRAFT WHERE APPLICABLE MUST REMAIN WITHIN DIMENSIONS		THIRD ANGLE PROJECTION	DRAWING	SERIES
			D-SIZE	34961
		STATUS: Production		2023-04-03
		DRWN: Shanks Wu		2023-05-19
		CHK'D: Ringo Hu		
		APPR: Ringo Hu		
		DOCUMENT NUMBER		DOC TYPE   DOC PART   REVISION
		SD-34961-030		PSD   001   K1
		MATERIAL NUMBER		CUSTOMER
		GENERAL MARKET		SHEET NUMBER
				3 OF 6

**molex**

34 & 38CKT MINI50  
RIGHT ANGLE HEADER ASSEMBLY SALES DRAWING

PRODUCT SALES DRAWING

2023-04-03  
2023-05-19

STATUS: Production  
DRWN: Shanks Wu  
CHK'D: Ringo Hu  
APPR: Ringo Hu

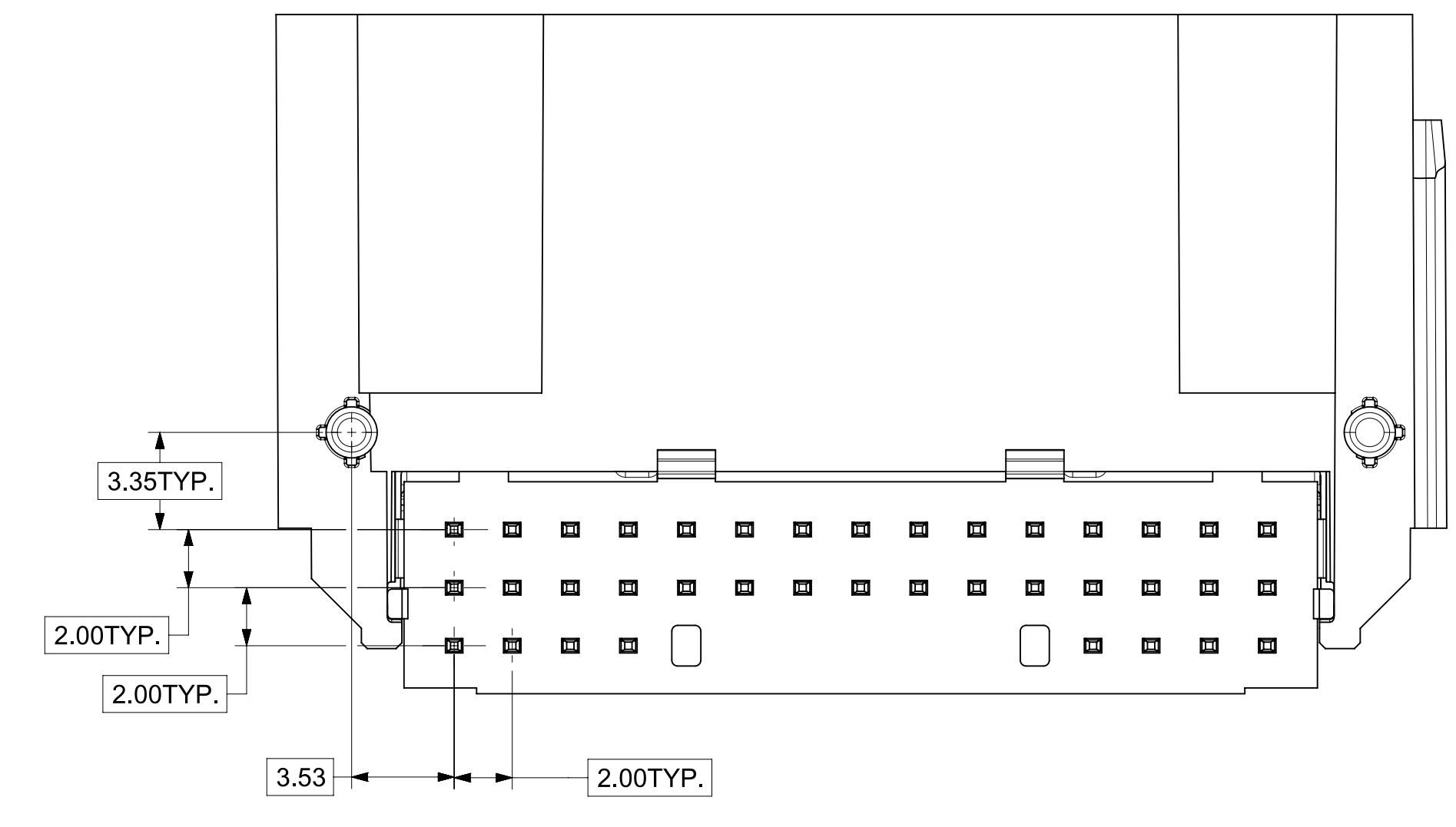
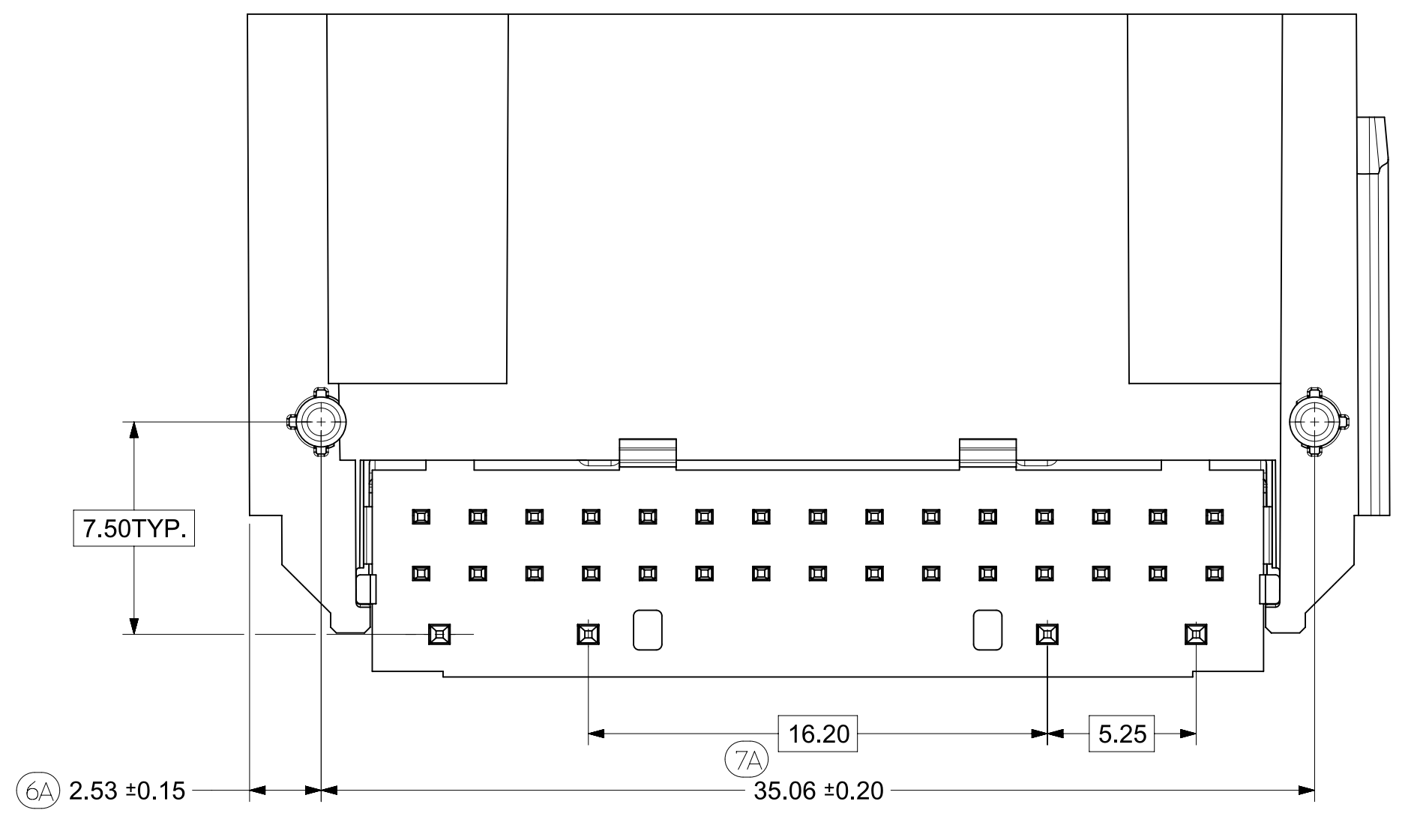
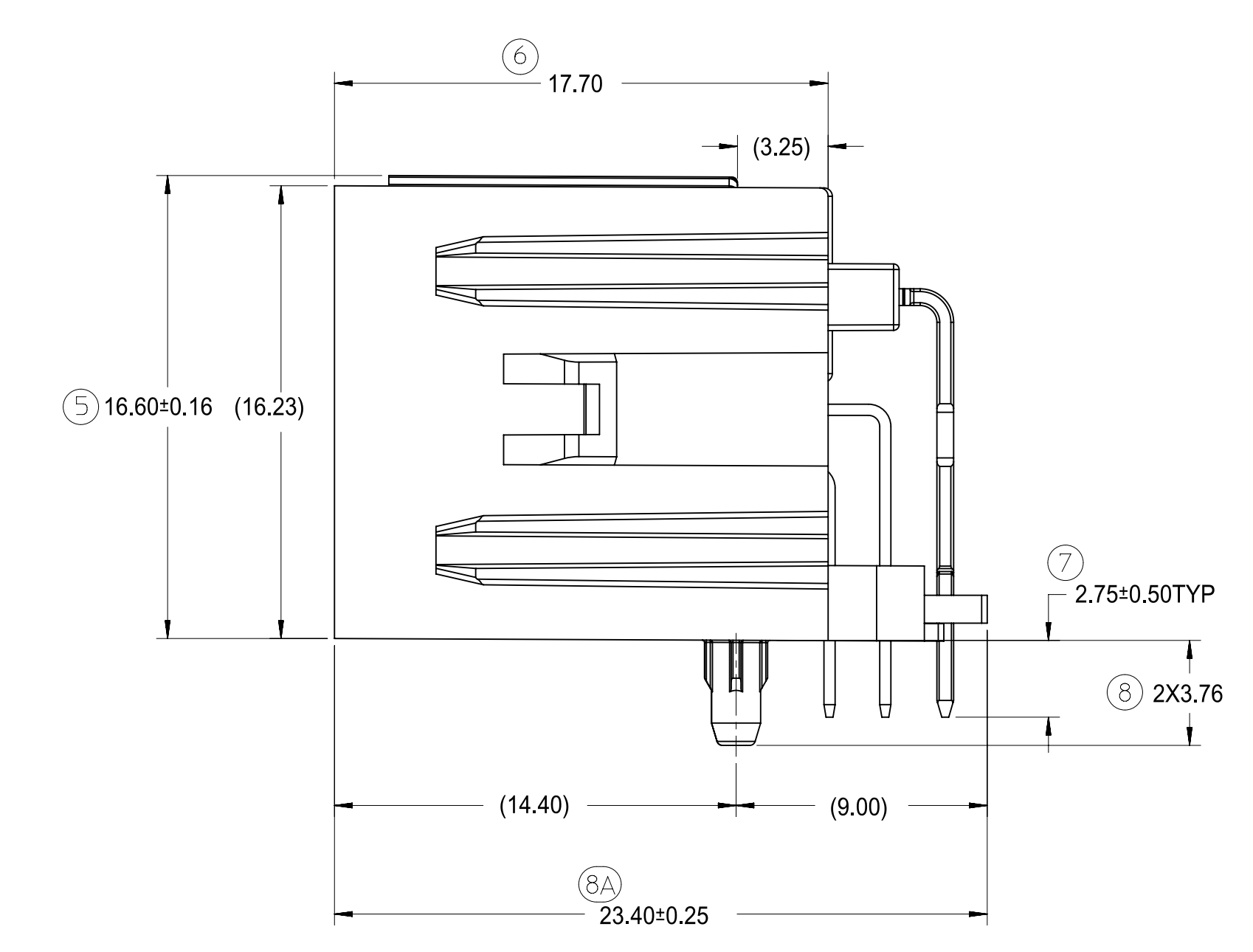
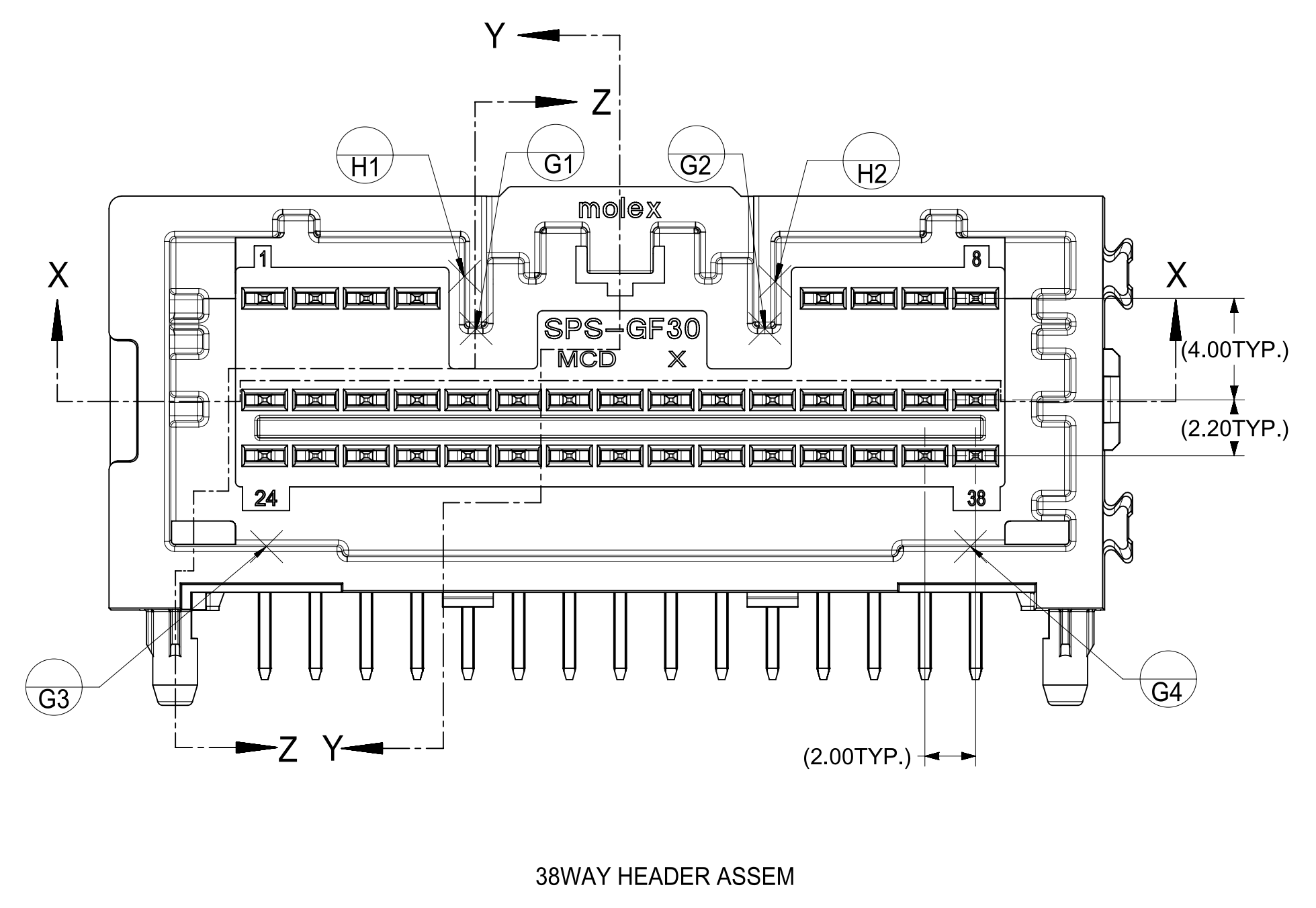
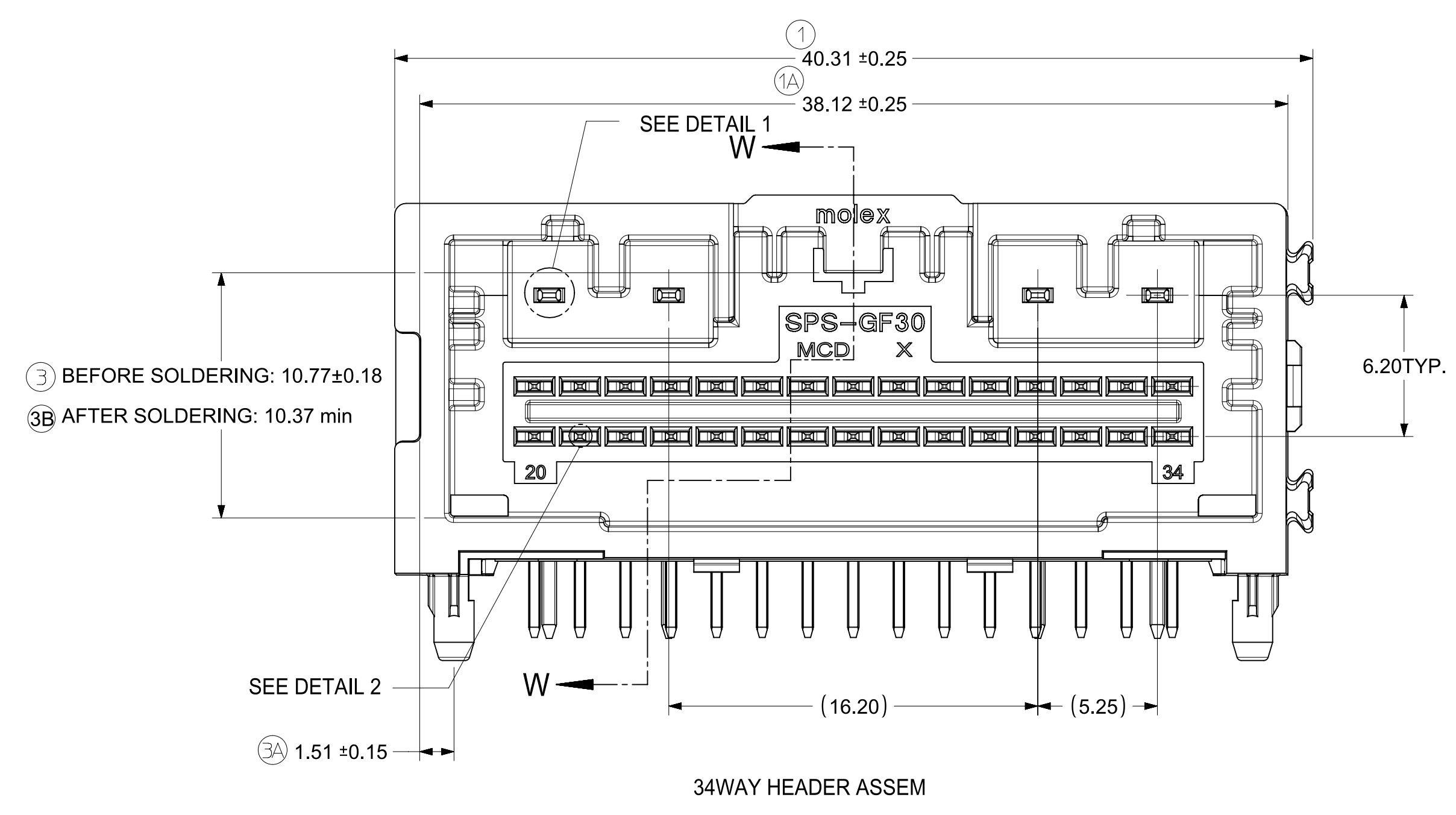
DOCUMENT NUMBER | DOC TYPE | DOC PART | REVISION

SD-34961-030 | PSD | 001 | K1

MATERIAL NUMBER | CUSTOMER | SHEET NUMBER

GENERAL MARKET | 3 OF 6

TABLE OF CONTENTS	
SHEET NO.	SHEET DESCRIPTION
4	DETAIL DIMENSION VIEW



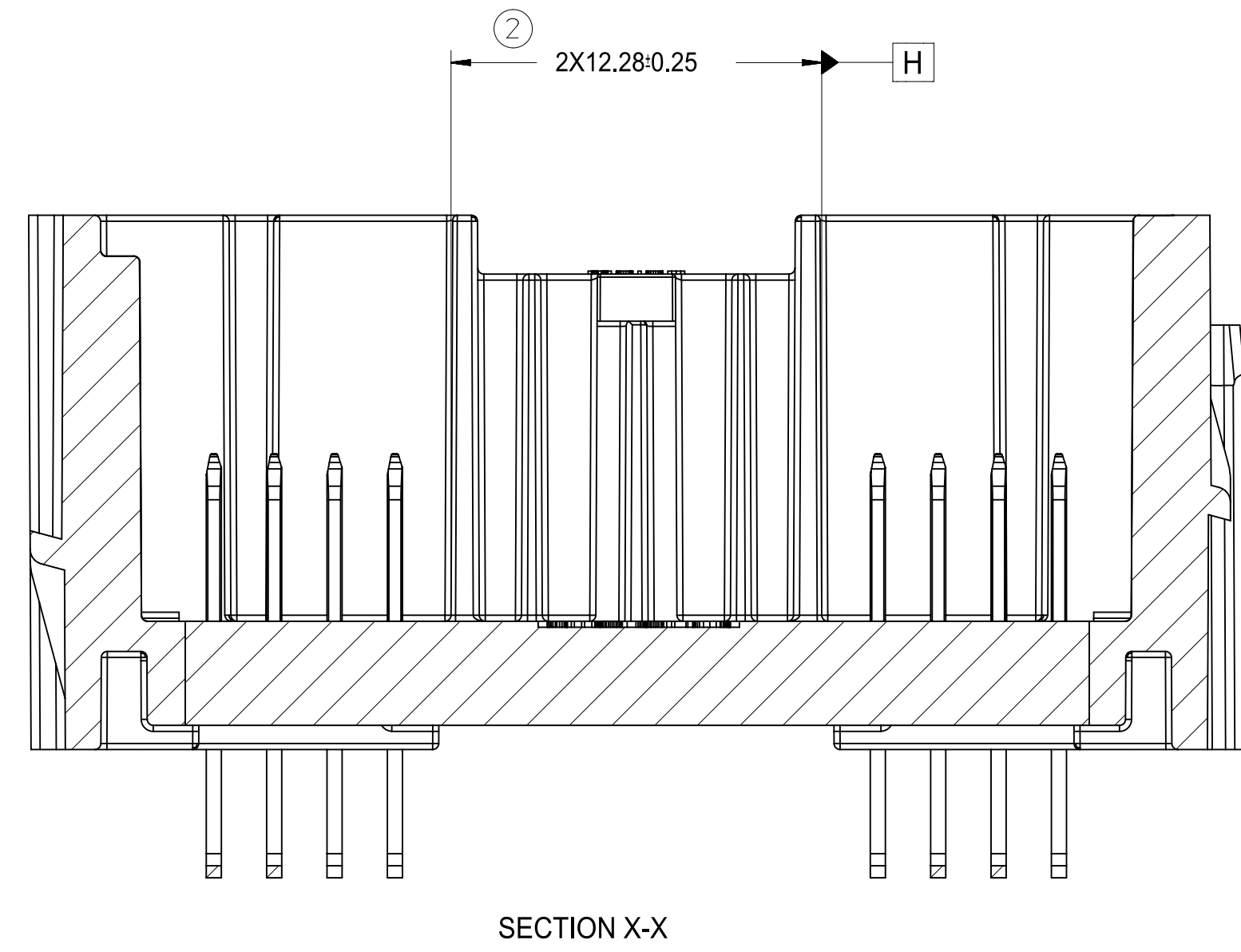
<b>FUNCTIONAL SYMBOLS</b> $F_A = 0$ $F_C = 0$ $F_P = 0$	THIS DRAWING CONTAINS INFORMATION THAT IS PROPRIETARY TO MOLEX ELECTRONIC TECHNOLOGIES, LLC AND SHOULD NOT BE USED WITHOUT WRITTEN PERMISSION		CURRENT REV DESC: REFER TO REVISION COLUMN				
	DIMENSION UNITS	SCALE	GENERAL TOLERANCES (UNLESS SPECIFIED)				
	mm	5:1	ANGULAR TOL ± 0.5°				
	DIVISIONAL SYMBOLS			STATUS: Production			
4 PLACES	±	DRWN: Shanks Wu					
3 PLACES	±	CHK'D: Ringo Hu					
2 PLACES	±	APPR: Ringo Hu					
1 PLACE	±	2023-04-03					
0 PLACES	±	2023-05-19					
DRAFT WHERE APPLICABLE MUST REMAIN WITHIN DIMENSIONS		THIRD ANGLE PROJECTION	DRAWING	SERIES	MATERIAL NUMBER	CUSTOMER	SHEET NUMBER
			D-SIZE	34961	SD-34961-030	GENERAL MARKET	4 OF 6

34 & 38CKT MINI50  
RIGHT ANGLE HEADER ASSEMBLY SALES DRAWING

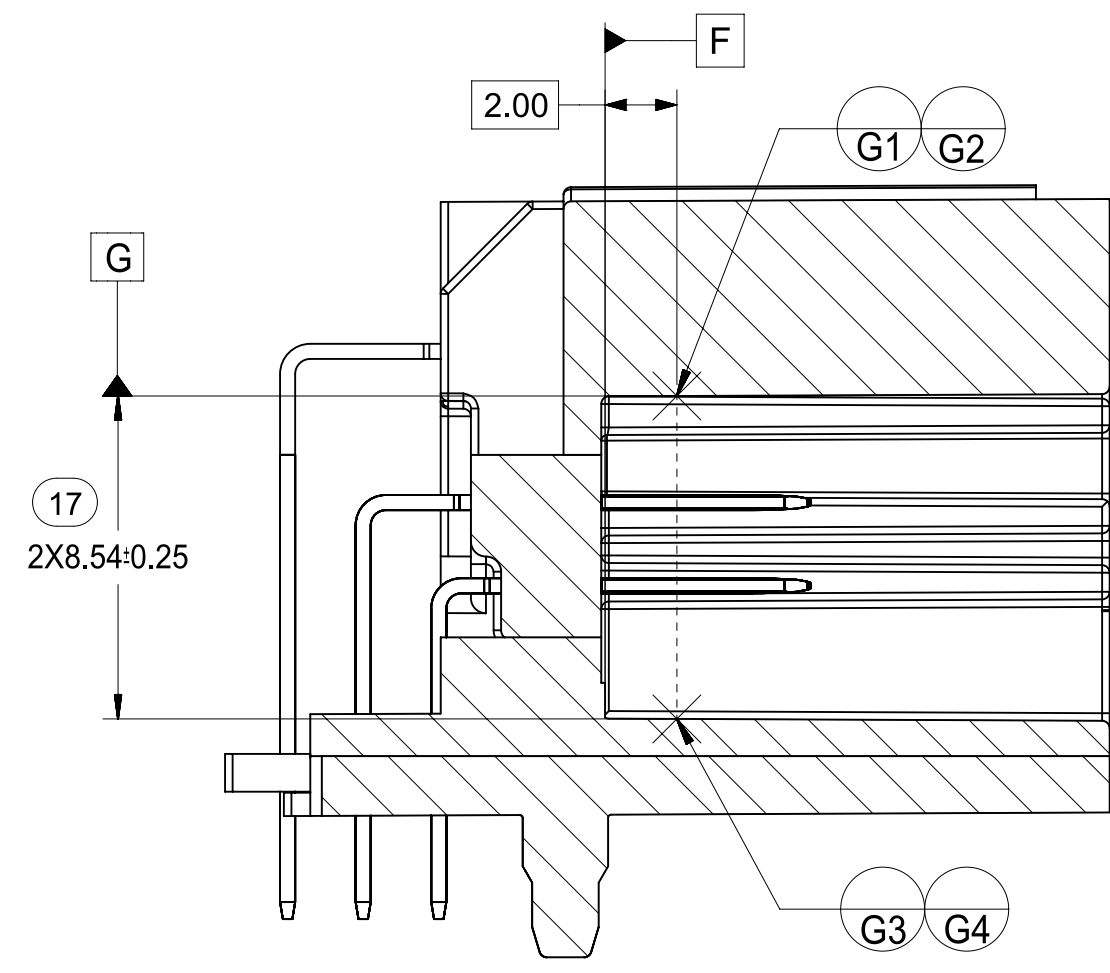
PRODUCT SALES DRAWING

DOCUMENT NUMBER	DOC TYPE	DOC PART	REVISION
SD-34961-030	PSD	001	K1

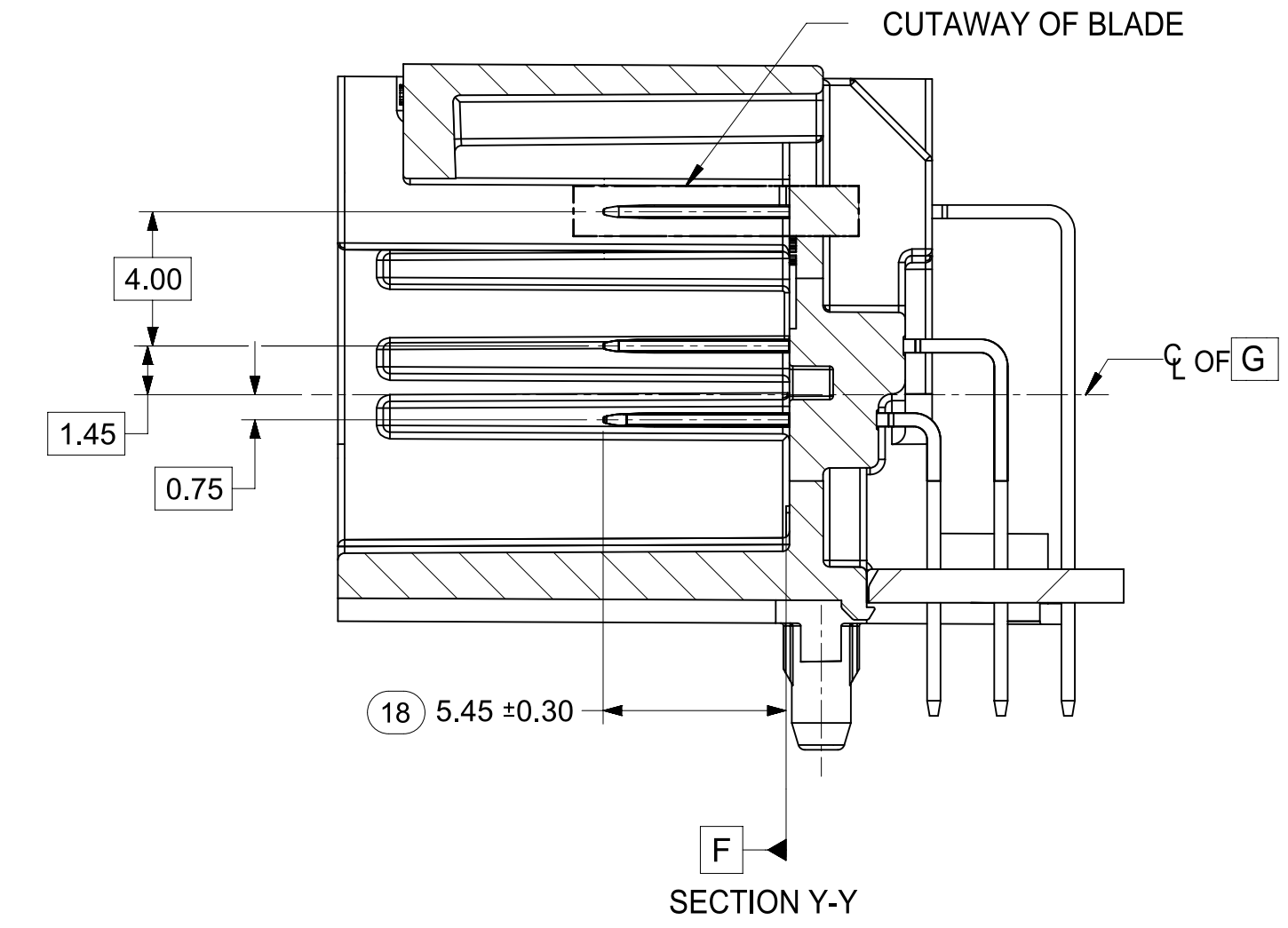
TABLE OF CONTENTS	
SHEET NO.	SHEET DESCRIPTION
5	DETAIL DIMENSION VIEW



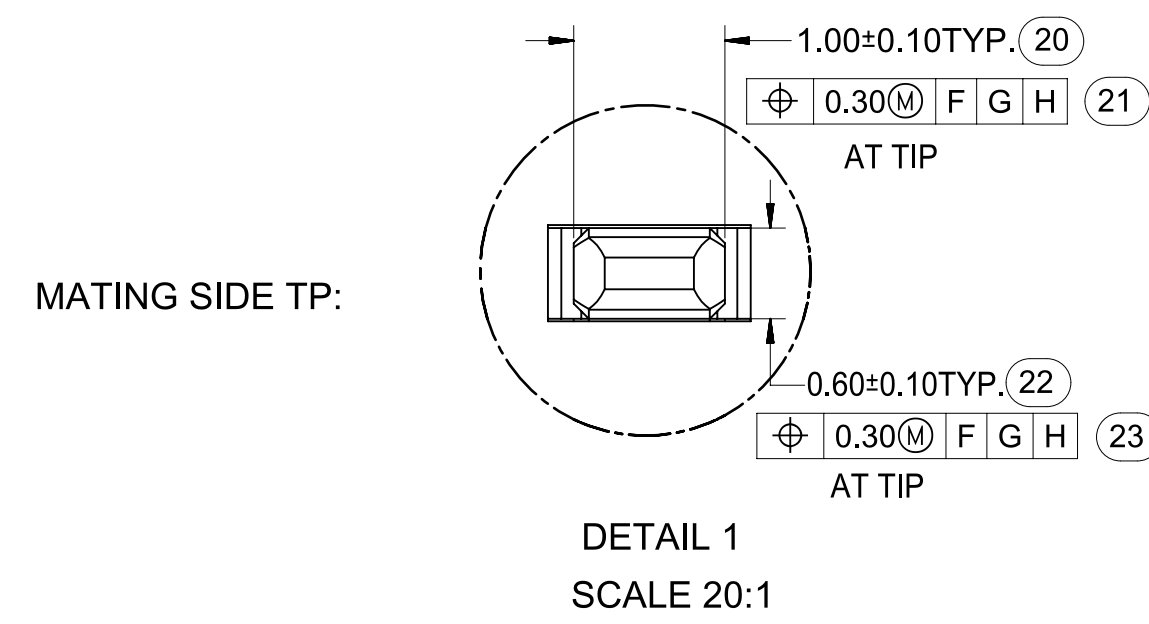
SECTION X-X



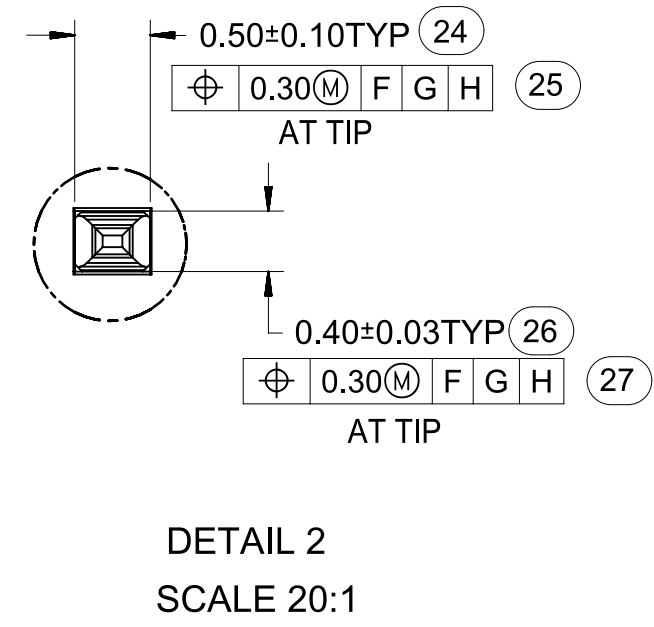
SECTION Z-Z



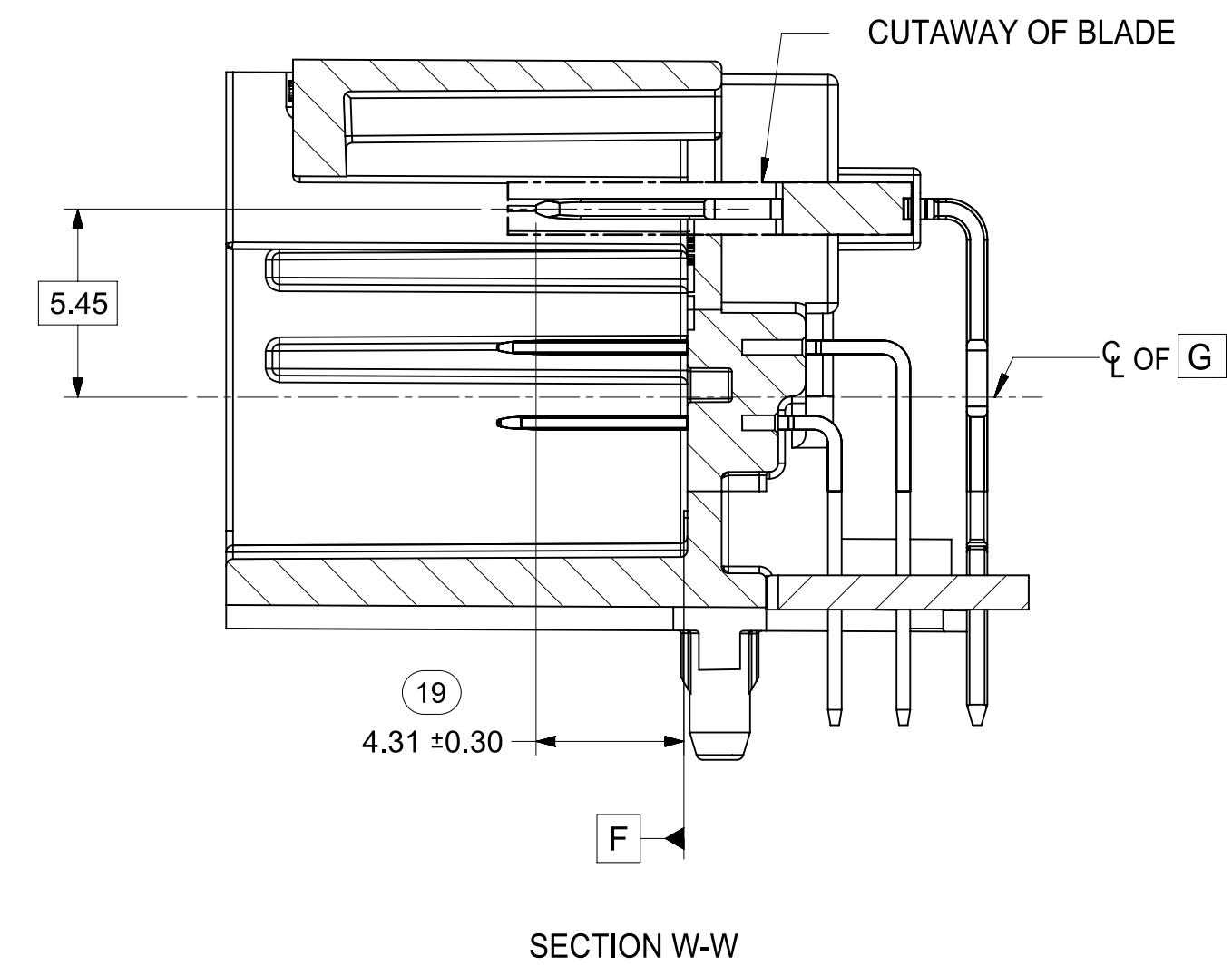
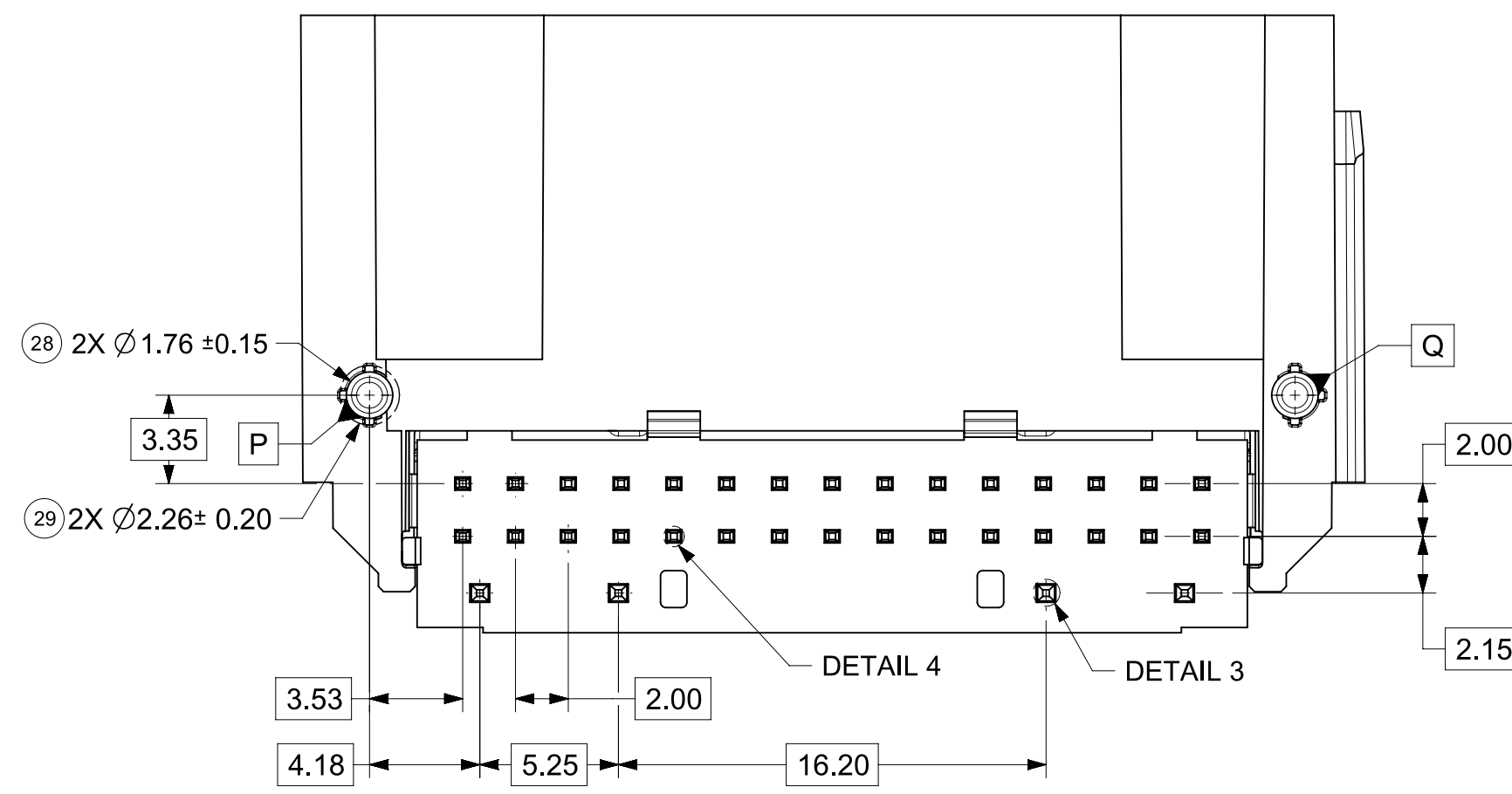
SECTION Y-Y



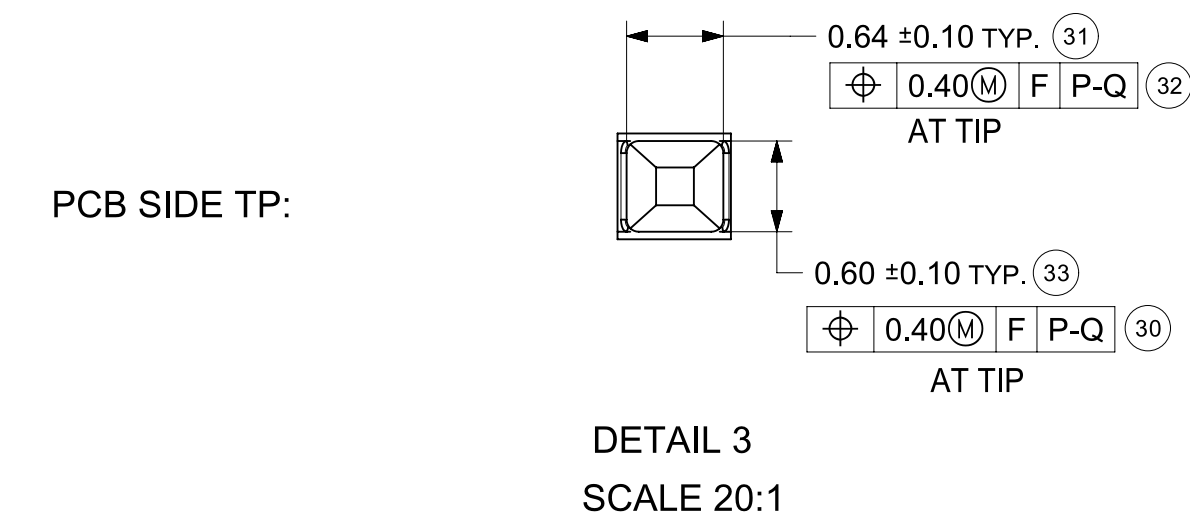
DETAIL 1  
SCALE 20:1



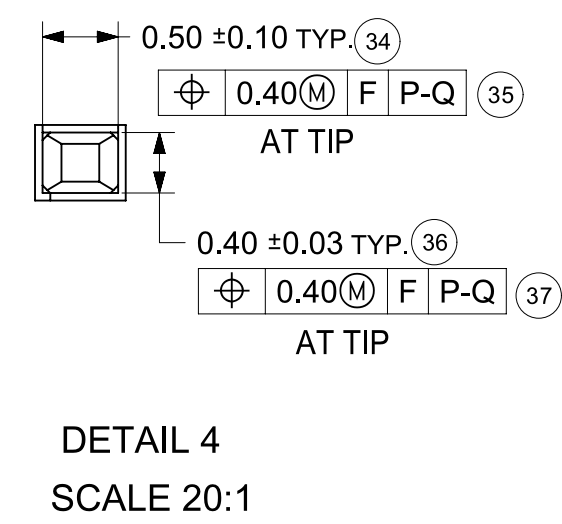
DETAIL 2  
SCALE 20:1



SECTION W-W



DETAIL 3  
SCALE 20:1



DETAIL 4  
SCALE 20:1

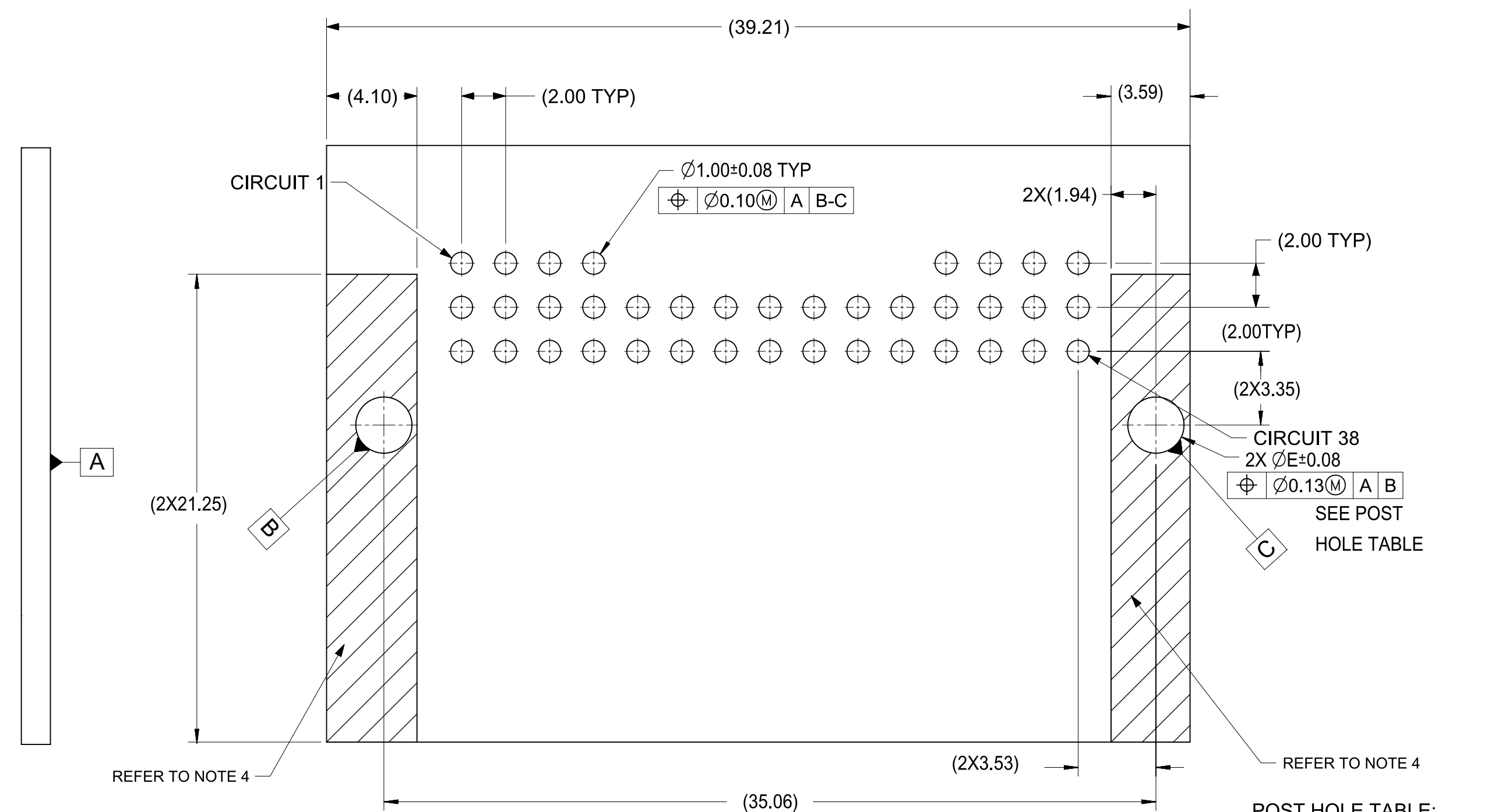
<b>FUNCTIONAL SYMBOLS</b> $F_A = 0$ $F_C = 0$ $F_P = 0$	THIS DRAWING CONTAINS INFORMATION THAT IS PROPRIETARY TO MOLEX ELECTRONIC TECHNOLOGIES, LLC AND SHOULD NOT BE USED WITHOUT WRITTEN PERMISSION	
	DIMENSION UNITS	SCALE
	mm	5:1
	GENERAL TOLERANCES (UNLESS SPECIFIED)	
<b>DIVISIONAL SYMBOLS</b> 4 PLACES ± 3 PLACES ± 2 PLACES ± 1 PLACE ± 0 PLACES ±	ANGULAR TOL ± 0.5°	CURRENT REV DESC: REFER TO REVISION COLUMN
	STATUS: Production	
	DRWN: Shanks Wu	
	CHK'D: Ringo Hu	
APPR: Ringo Hu		2023-04-03
DRAFT WHERE APPLICABLE MUST REMAIN WITHIN DIMENSIONS		2023-05-19
THIRD ANGLE PROJECTION	DRAWING	SERIES
	D-SIZE	34961
MATERIAL NUMBER		CUSTOMER
SD-34961-030		GENERAL MARKET
DOCUMENT NUMBER	DOC TYPE	DOC PART
SD-34961-030	PSD	001
REVISION		SHEET NUMBER
K1		5 OF 6

**molex**

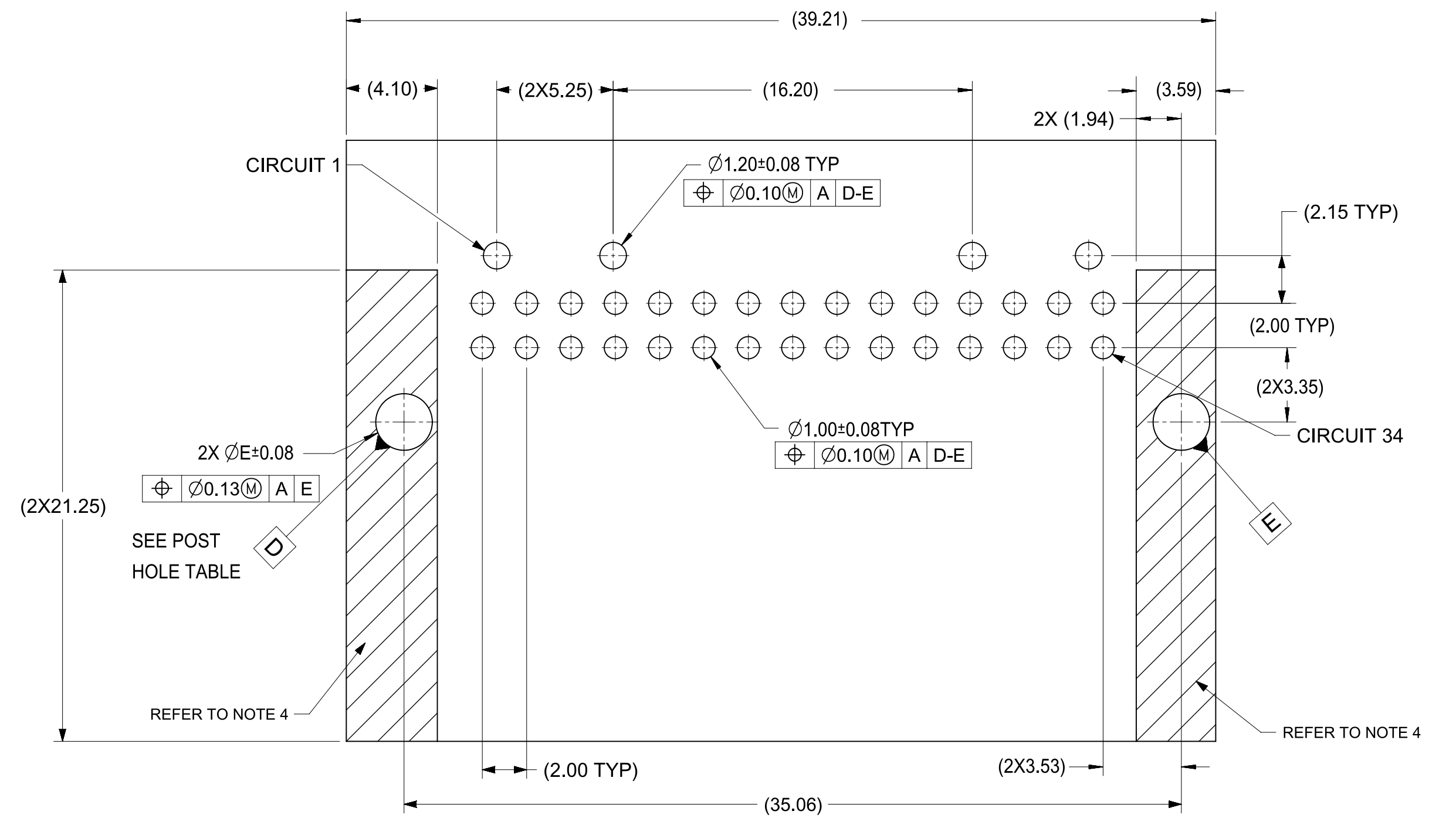
34 & 38CKT MINI50  
RIGHT ANGLE HEADER ASSEMBLY SALES DRAWING

PRODUCT SALES DRAWING

TABLE OF CONTENTS	
SHEET NO.	SHEET DESCRIPTION
6	REFERENCE PCB LAYOUT



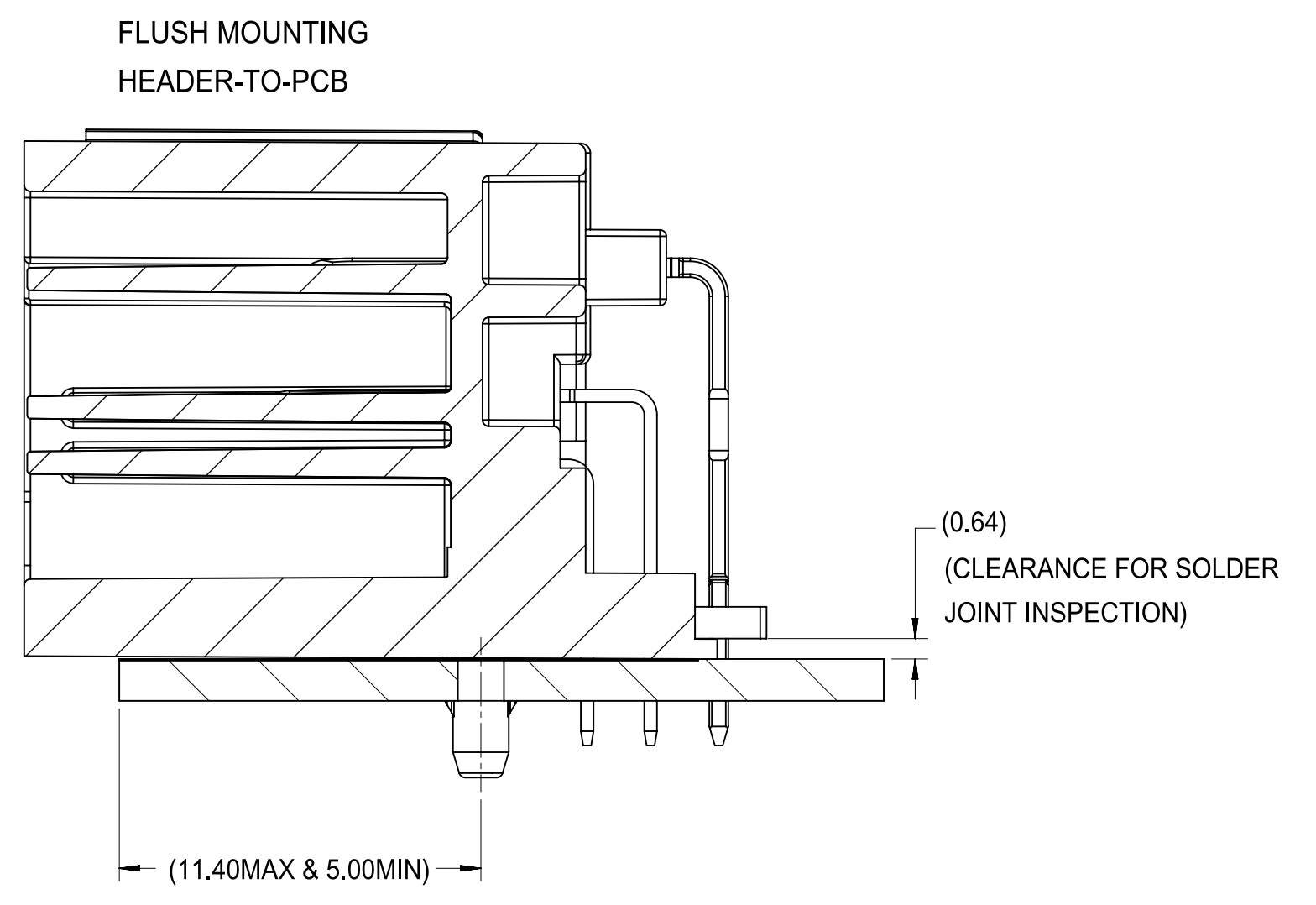
REFERENCE 38WAY PCB LAYOUT



REFERENCE 34WAY PCB LAYOUT

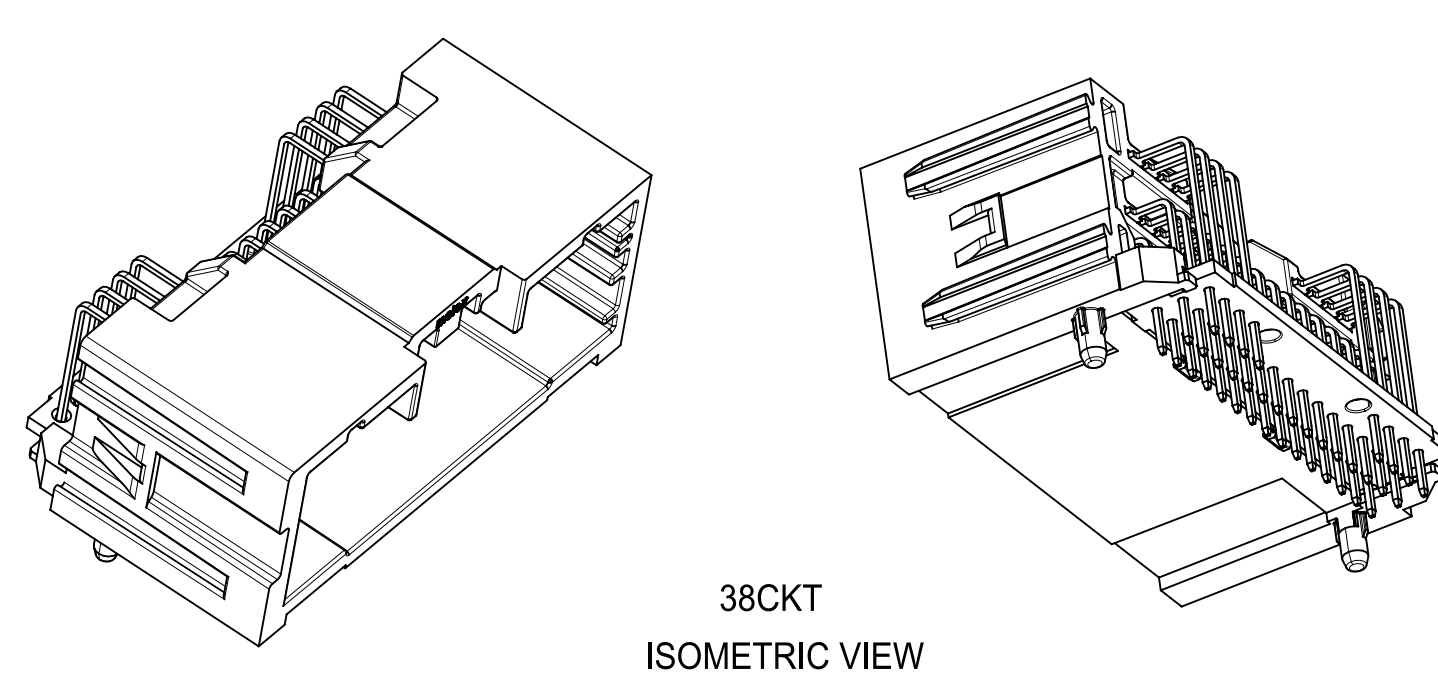
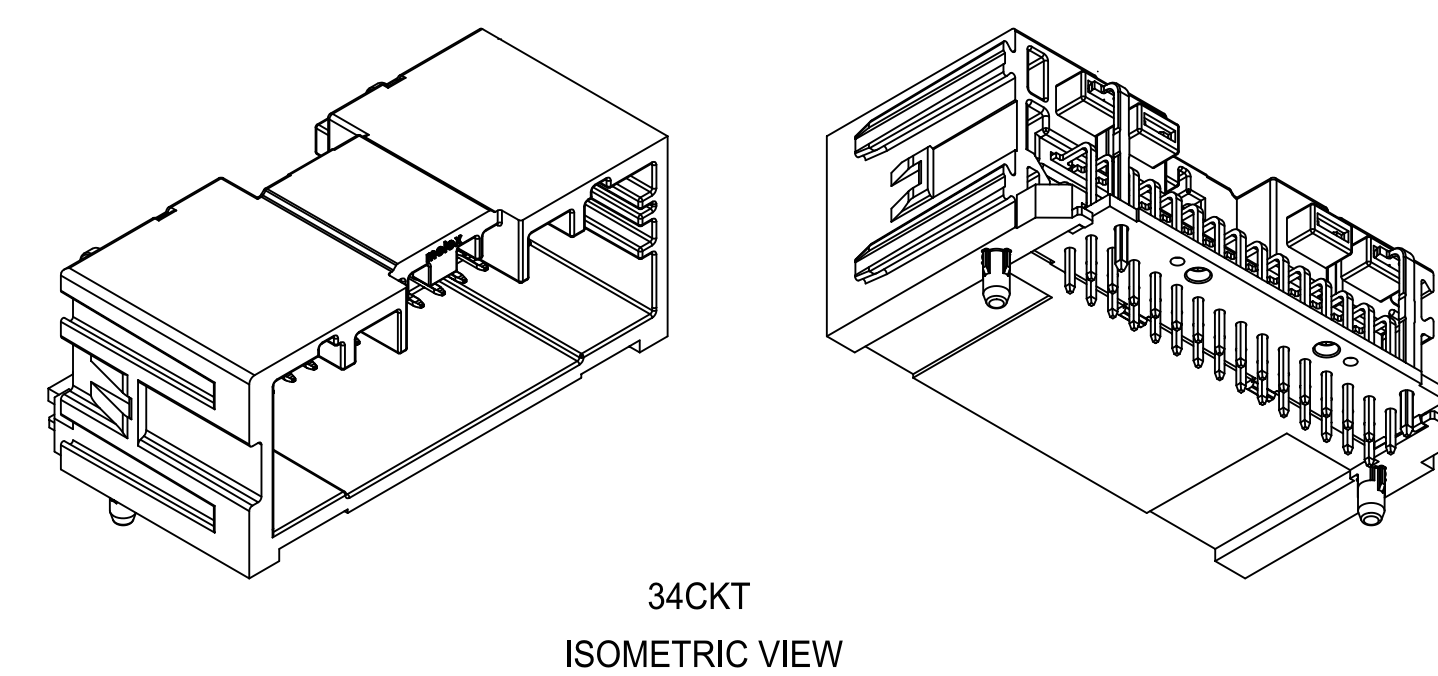
POST HOLE TABLE:

FOR DIM E:	
PRESS FIT:	2.15
DROP IN:	2.55



<b>FUNCTIONAL SYMBOLS</b> $F_A = 0$ $F_C = 0$ $F_P = 0$	THIS DRAWING CONTAINS INFORMATION THAT IS PROPRIETARY TO MOLEX ELECTRONIC TECHNOLOGIES, LLC AND SHOULD NOT BE USED WITHOUT WRITTEN PERMISSION		CURRENT REV DESC: REFER TO REVISION COLUMN		
	DIMENSION UNITS	SCALE	GENERAL TOLERANCES (UNLESS SPECIFIED)		
	mm	5:1	ANGULAR TOL $\pm 0.5^\circ$		
	4 PLACES $\pm$		3 PLACES $\pm$		
<b>DIVISIONAL SYMBOLS</b> 3 PLACES $\pm$ 2 PLACES $\pm$ 1 PLACE $\pm$ 0 PLACES $\pm$	DRAFT WHERE APPLICABLE MUST REMAIN WITHIN DIMENSIONS		THIRD ANGLE PROJECTION	DRAWING	SERIES
				D-SIZE	34961
				STATUS: Production	2023-04-03
				DRWN: Shanks Wu	2023-05-19
			CHK'D: Ringo Hu		
			APPR: Ringo Hu		
			MATERIAL NUMBER	CUSTOMER	SHEET NUMBER
			SD-34961-030	GENERAL MARKET	6 OF 6
			DOCUMENT NUMBER	DOC TYPE   DOC PART   REVISION	
				PSD   001   K1	
			<b>molex</b>		
			34 & 38CKT MINI50 RIGHT ANGLE HEADER ASSEMBLY SALES DRAWING		
			PRODUCT SALES DRAWING		

TABLE OF CONTENTS	
SHEET NO.	SHEET DESCRIPTION
1	NOTES,INSPECTION BALLOON NUMBER LOG, REV.COLUMN, ISOMETRIC VIEW, NOMINAL DIMENSION RANGE
2	PIN CONFIGURATION TABLE
3	34&38WAY POLARIZATION OPTION VIEW, HB/V0 VERSION DIFFERENCE
4	PIN INSERTION DIRECTION VIEW PAP HOLE SHAPE VIEW
5	DETAIL DIMENSION VIEW REFERENCE PCB LAYOUT



DIN 16901	CODE LETTER	NOMINAL DIMENSION RANGE													
		OVER UP TO	0	1	3	6	10	15	22	30	40	53	70	90	120
PRECISION ENGINEERING	A		±0.10	±0.12	±0.14	±0.16	±0.20	±0.22	±0.24	±0.26	±0.28	±0.31	±0.35	±0.40	±0.50
	B		±0.05	±0.06	±0.07	±0.08	±0.10	±0.12	±0.14	±0.16	±0.18	±0.21	±0.25	±0.30	±0.40

A: FOR NON-MOLD RELATED DIMENSIONS (ACROSS PARTING LINE)  
B: FOR MOLD RELATED DIMENSIONS (WITHIN MOLD COMPONENTS)

INSPECTION BALLOON NUMBER LOG
PER DRAWING REVISION: B
LAST BALLOON NUMBER USED: 8A
ADDED BALLOON NUMBERS:
REMOVED BALLOON NUMBERS:

NOTES: VALID UNLESS OTHERWISE SPECIFIED

1. GENERAL:
- a. CONNECTOR HEADER MUST BE VALIDATED TO THE FOLLOWING FUNCTIONAL REQUIREMENTS:  
HB VALIDATION SPECIFICATION = GMW3191 JUNE 2012  
V0 VALIDATION SPECIFICATION = USCAR-2 REV6  
SOLDERABILITY = SMES-152
  - b. APPLICATION REQUIREMENTS:  
SEE APPLICATION SPECIFICATION = AS-34959-001  
SEE HB PRODUCT SPECIFICATION = PS-34959-001  
SEE V0 PRODUCT SPECIFICATION = 2133550000-PS  
COSMETIC SPECIFICATION: PS-45499-002 Class B  
GEOMETRIC TOLERANCING: SEE DIN 16901 TABLE  
MATES WITH: SD-34959-030  
FULL PIN HEADER SD DRAWING(FOR REFERENCE): SD-34961-030

- c. PACKAGING SPECIFICATION: SEE PIN CONFIGURATION TABLE
2. DESIGN MATERIALS:
- a. HEADER HSG (PLASTIC HOUSING):  
HB RESIN - SPS  
V0 RESIN - SPS
  - b. PIN ALIGNMENT PLATE:  
HB RESIN - SPS  
V0 RESIN - SPS
  - c. 0.50MM BLADES:  
BASE MATERIAL: BRASS  
PLATING TYPE: AS NOTED
  - d. 1.20MM BLADES:  
BASE MATERIAL: BRASS  
PLATING TYPE: AS NOTED
3. PLATING REQUIREMENTS:
- a. UNDERPLATING - OVERALL NICKEL
  - b. OVERPLATING - OVERALL TIN

B	SHEET 2: ADDED NEW PART NUMBER IN CHART SHEET 2: UPDATE PRODUCT STATUS IN CHART SHEET 3: ADDED SHEET TO SHOW PIN INSERTION DIRECTION VIEW AND PAP HOLE SHAPE VIEW	CO-000009 10
A11	1. SHEET 1: UPDATED NOTES INFORMATION 2. SHEET 2: ADDED SHEET TO SHOW PIN CONFIGURATION TABLE 3. SHEET 2: ADDED NEW PART NUMBER 4. SHEET 4: ADDED "BEFORE SOLDERING" NOTE TO DIM 3 5. SHEET 4: ADDED DIM 3A	663659
A10	1. SHEET 1: ADDED PART NUMBER 34961-1343; 34961-9343; 34961-1344; 34961-1345 2. SHEET 1: STATUS OF 2133551341; 2133559341; 2133551342; 2133559342: WAS OK TO TOOL 3. SHEET 1: ADDED GENERAL TOLERANCE TABLE PER DIN 16961 4. SHEET 1: ADDED FULL LOADED HEADER SD DRAWING NUMBER IN NOTE_1b 5. SHEET 3: REMOVED THE BALLOON NUMBER FOR DIMENSION OF PCB LAYOUT 6. SHEET 3: DIM5 WAS 16.60	636289
A9	1. UPDATED BELOW V0 PART NUMBER STATUS TO SALEABLE IN SHEET 1: 2133551340, 2133559340 2. ADDED V0 VALIDATION SPECIFICATION AND V0 PRODUCT SPECIFICATION INFORMATION IN NOTES. 3. UPDATED V0/HB DIFFERENT FEATURE VIEWS IN SHEET 2.	631855
A8	1. ADDED NEW V0 PART NUMBER IN SHEET 1: 2133551340 / 2133551341 / 2133551342 2133559340 / 2133559341 / 2133559342 2. ADDED V0 MATERIAL INFORMATION IN NOTES 3. ADDED SHEET 2 TO SHOW THE POLARIZATION OPTION VIEW AND V0/HB DIFFERENT FEATURE VIEWS	625904
A7	ADDED NEW PART NUMBER IN SHEET 1: 34961-1382/34961-1383/34961-1384 34961-9382/34961-9383/34961-9384	613431
A6	1. ADDED NEW MINI50 38WAY PART NUMBER IN SHEET 1 2. ADDED MINI50 38WAY PCB LAYOUT IN SHEET 2 3. ADDED DIM17 & DIM18	611160
REV	REV DESCRIPTION	ECN SAP NO.

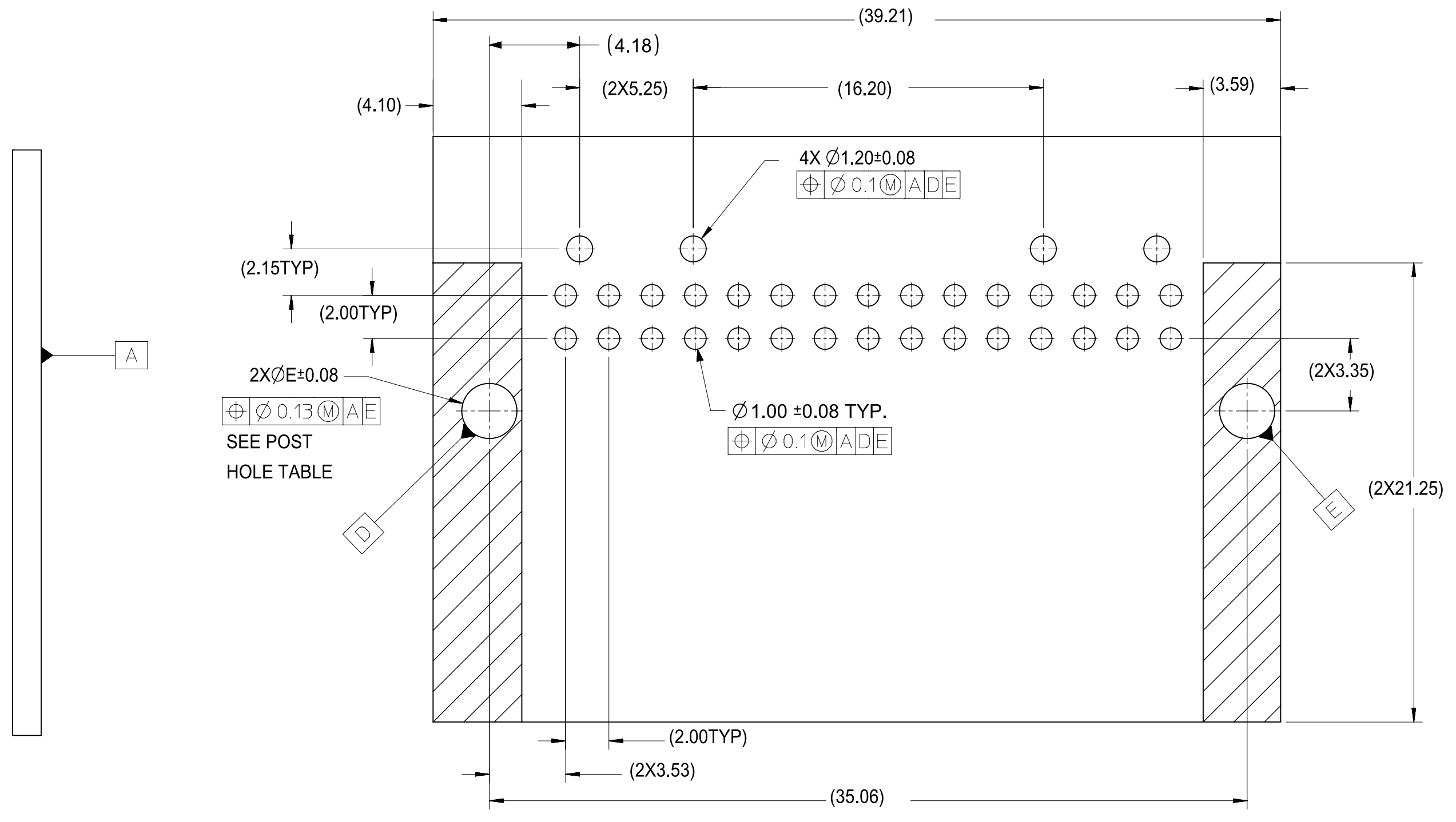
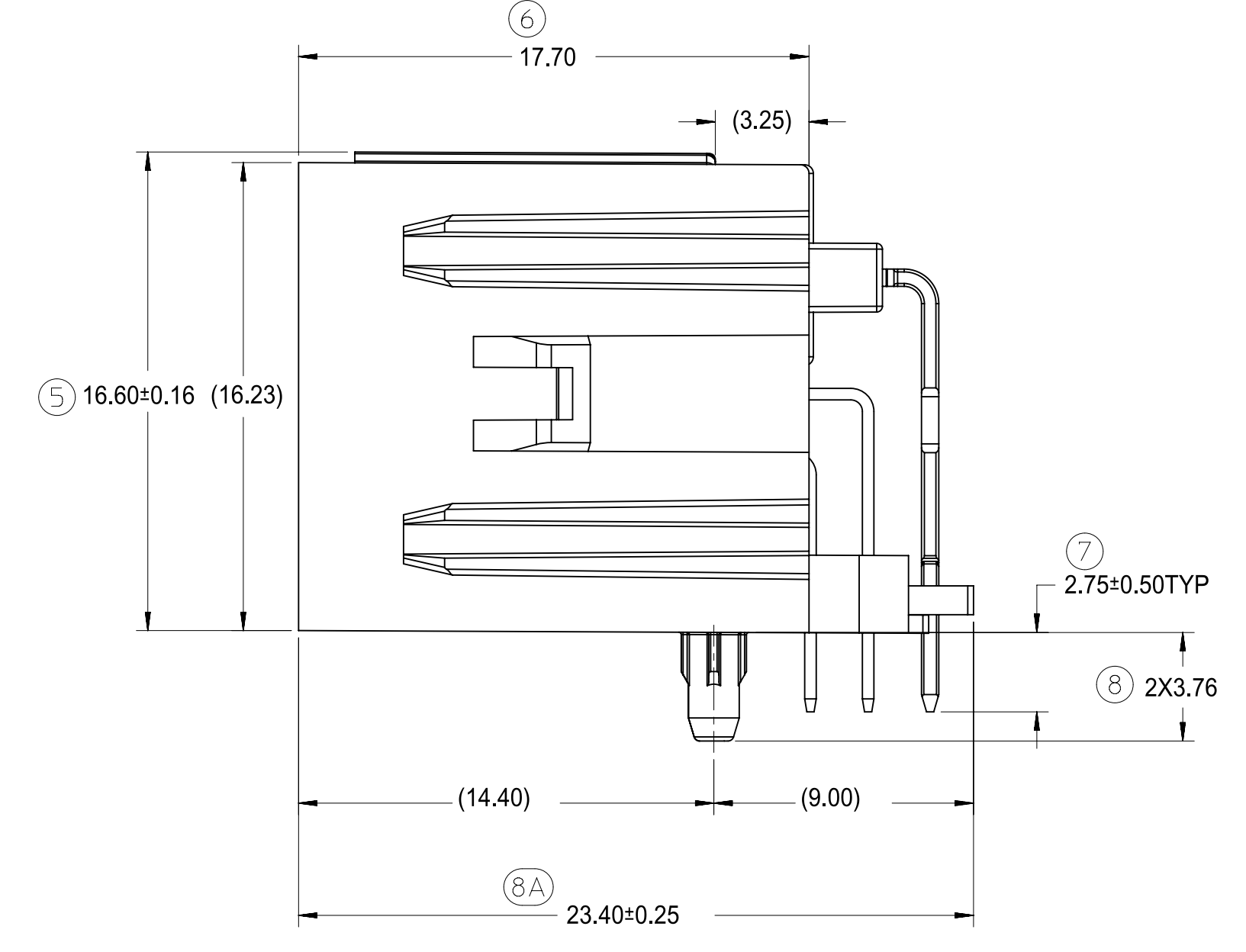
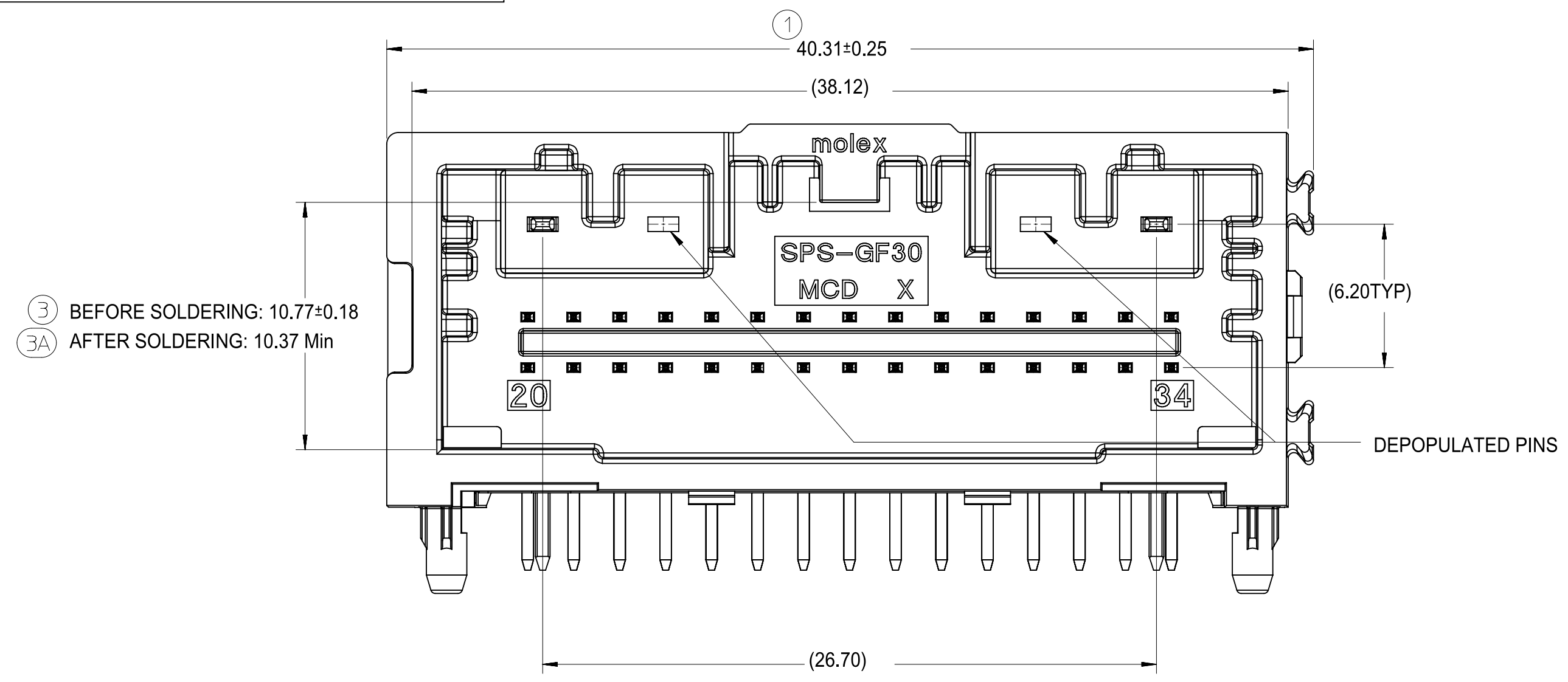
FUNCTIONAL SYMBOLS	THIS DRAWING CONTAINS INFORMATION THAT IS PROPRIETARY TO MOLEX ELECTRONIC TECHNOLOGIES, LLC AND SHOULD NOT BE USED WITHOUT WRITTEN PERMISSION		CURRENT REV DESC: REFER TO REVISION COLUMN	
	FA = 0	mm	SCALE	2:1
DIVISIONAL SYMBOLS	FC = 0	GENERAL TOLERANCES (UNLESS SPECIFIED)		
	FD = 0	ANGULAR TOL ± 1.0°		
DIVISIONAL SYMBOLS	4 PLACES	±	PHASE: Design Production	
	3 PLACES	±	CO NO: CO-00000910	
	2 PLACES	±	DRWN: Shanks Wu 2022-04-08	
	1 PLACE	±	CHK'D: Ringo Hu 2022-04-29	
DRAFT WHERE APPLICABLE MUST REMAIN WITHIN DIMENSIONS	0 PLACES	±	APPR: Colin Zhang 2022-05-05	
	THIRD ANGLE PROJECTION		DRAWING	SERIES
D-D-SIZE		34961		INITIAL REVISION:
D-D-SIZE		34961		DRWN: Shanks Wu 2022-04-25
D-D-SIZE		34961		APPR: Colin Zhang 2022-05-05
D-D-SIZE		34961		DOCUMENT NUMBER
D-D-SIZE		34961		DOC TYPE   DOC PART   REVISION
D-D-SIZE		34961		SD-34961-130
D-D-SIZE		34961		PSD 001 B
D-D-SIZE		34961		MATERIAL NUMBER
D-D-SIZE		34961		CUSTOMER
D-D-SIZE		34961		GENERAL MARKET
D-D-SIZE		34961		SHEET NUMBER
D-D-SIZE		34961		1 OF 5

**molex**

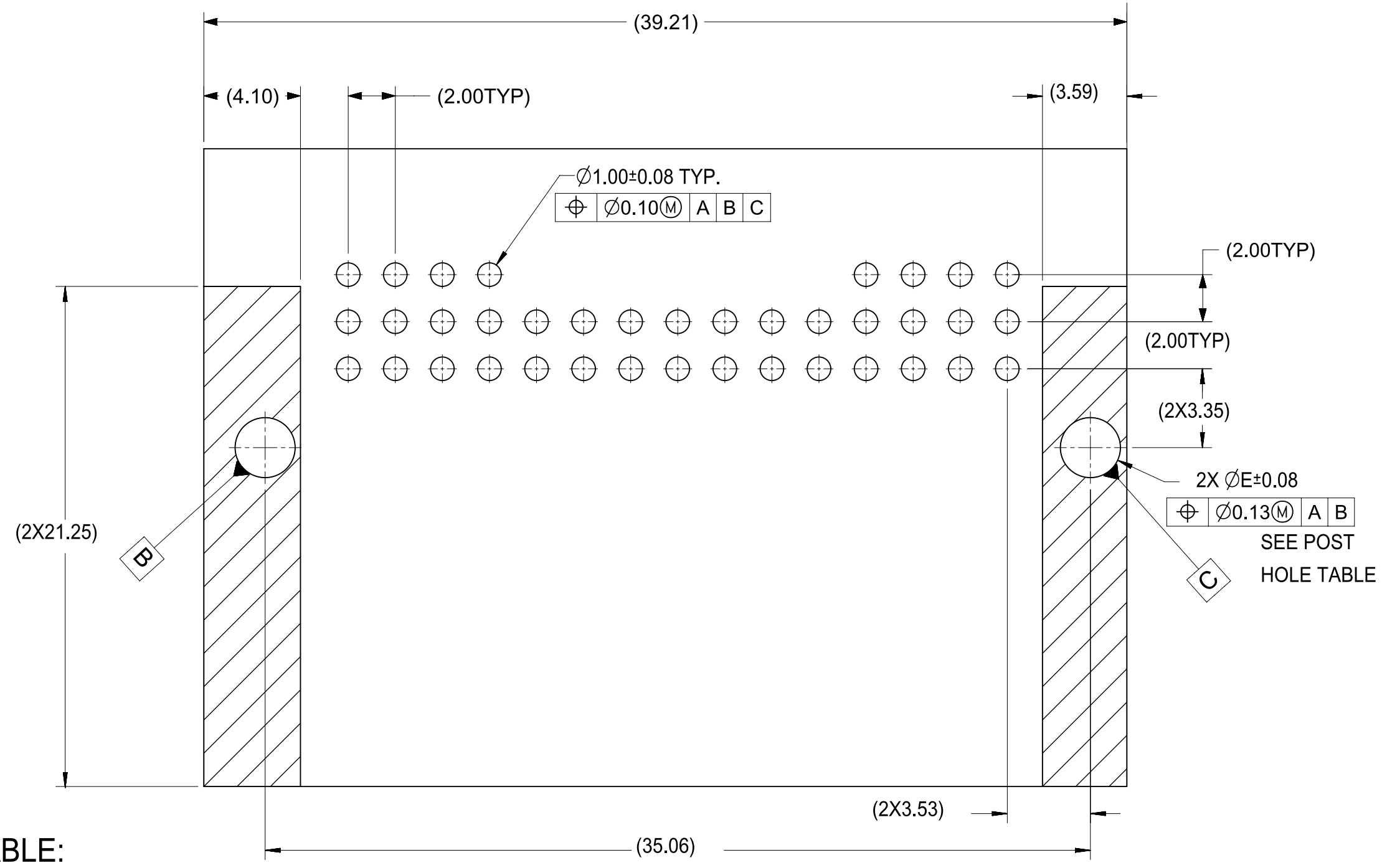
34&38CKT MINI50  
DEPOPULATED PINS HEADER SALES DRAWING

PRODUCT SALES DRAWING

TABLE OF CONTENTS	
SHEET NO.	SHEET DESCRIPTION
5	DETAIL DIMENSION VIEW REFERENCE PCB LAYOUT



REFERENCE 34WAY PCB LAYOUT



REFERENCE 38WAY PCB LAYOUT

POST HOLE TABLE:  
FOR DIM E:

PRESS FIT:	2.15
DROP IN:	2.55

FUNCTIONAL SYMBOLS FA = 0 FC = 0 FP = 0	THIS DRAWING CONTAINS INFORMATION THAT IS PROPRIETARY TO MOLEX ELECTRONIC TECHNOLOGIES, LLC AND SHOULD NOT BE USED WITHOUT WRITTEN PERMISSION	SCALE: 3:1	CURRENT REV DESC: REFER TO REVISION COLUMN	
	DIMENSION UNITS: mm	GENERAL TOLERANCES (UNLESS SPECIFIED)	PHASE: Design Production	
DIVISIONAL SYMBOLS	ANGULAR TOL ± 1.0°	4 PLACES ±	DRWN: Shanks Wu	2022-04-08
		3 PLACES ±	CHK'D: Ringo Hu	2022-04-29
		2 PLACES ±	APPR: Colin Zhang	2022-05-05
		1 PLACE ±	INITIAL REVISION:	
		0 PLACES ±	DRWN: Shanks Wu	2022-04-25
			APPR: Colin Zhang	2022-05-05
DRAFT WHERE APPLICABLE MUST REMAIN WITHIN DIMENSIONS	THIRD ANGLE PROJECTION	DRAWING: D-SIZE	SERIES: 34961	MATERIAL NUMBER: SD-34961-130
		CUSTOMER: GENERAL MARKET		SHEET NUMBER: 5 OF 5

**molex**

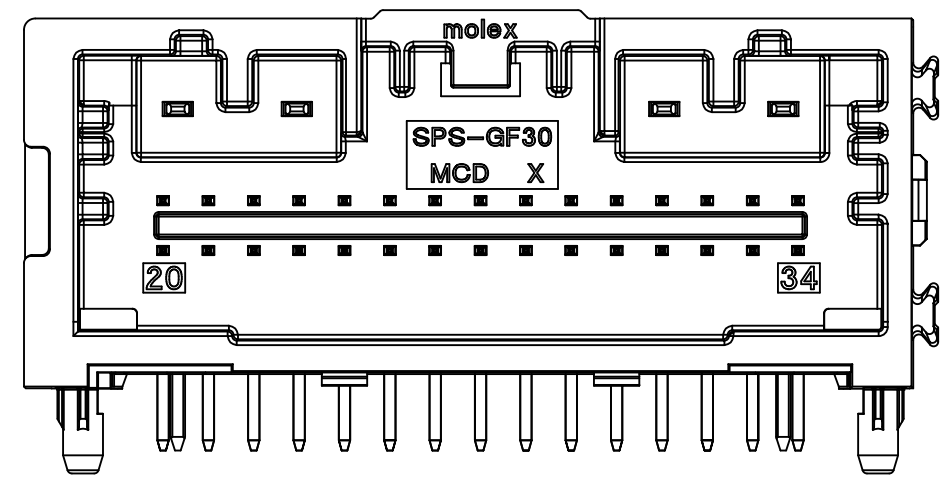
34&38CKT MINI50  
DEPOPULATED PINS HEADER SALES DRAWING

PRODUCT SALES DRAWING

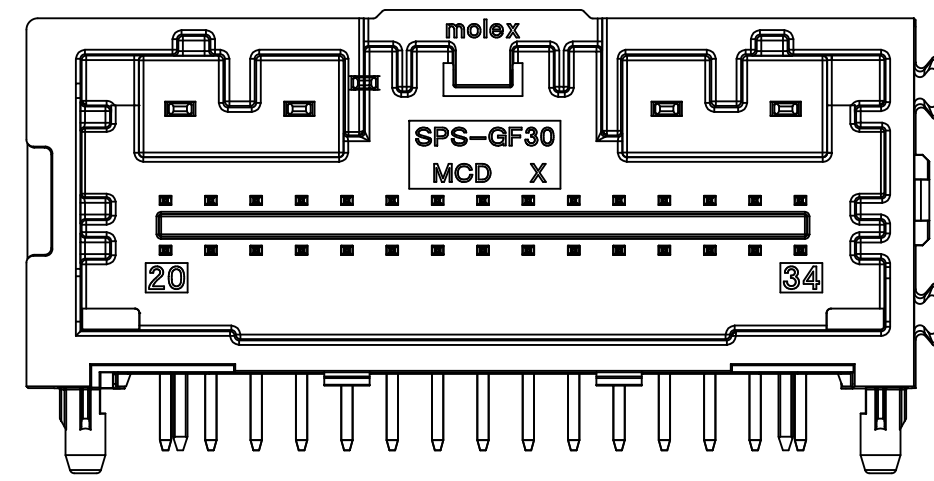
DOCUMENT NUMBER: SD-34961-130  
DOC TYPE: PSD  
DOC PART: 001  
REVISION: B



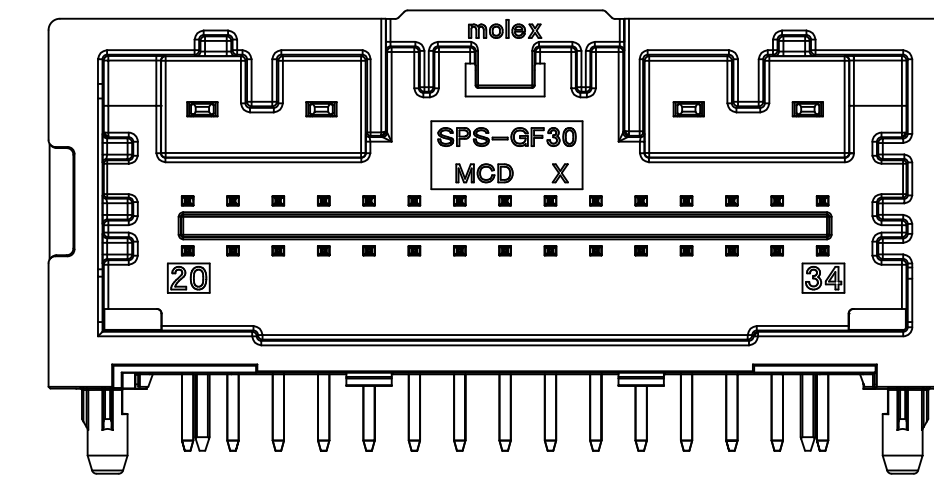
TABLE OF CONTENTS	
SHEET NO.	SHEET DESCRIPTION
3	34&38WAY POLARIZATION OPTION VIEW, HB/V0 VERSION DIFFERENCE



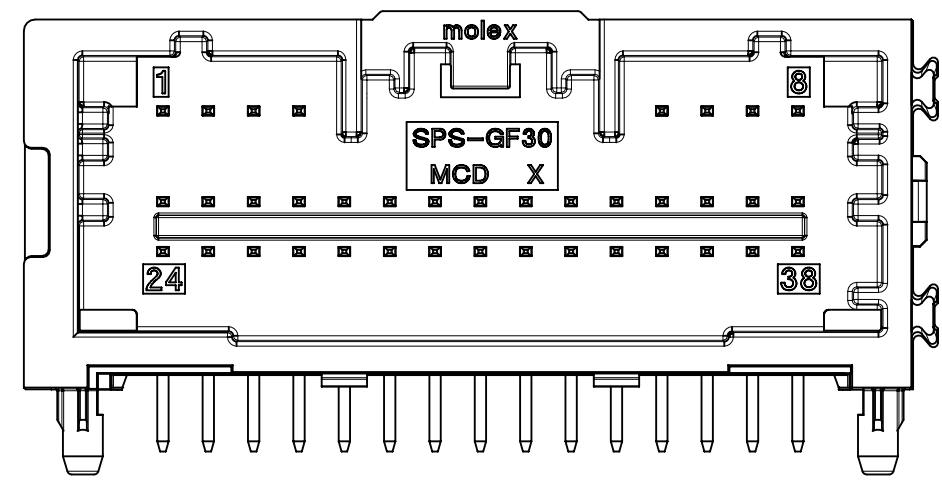
34CTK POLARIZATION OPTION 'A'



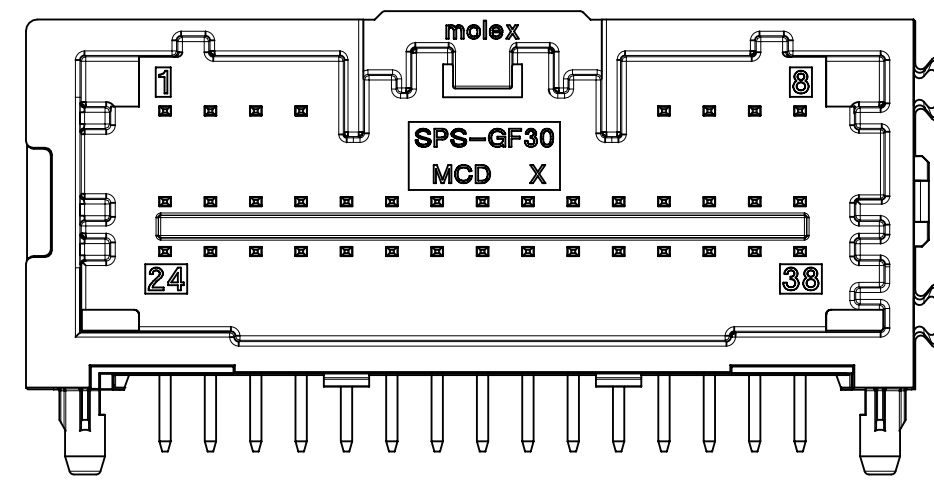
34CTK POLARIZATION OPTION 'B'



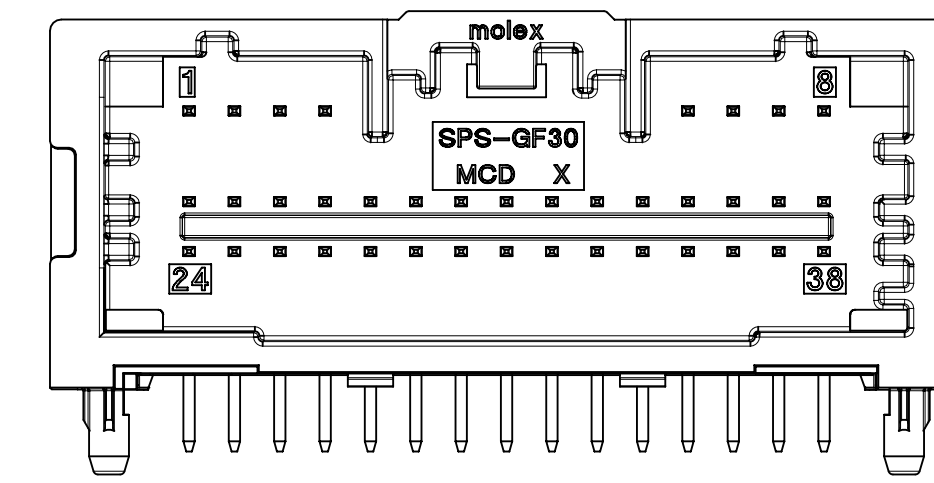
34CTK POLARIZATION OPTION 'C'



38CTK POLARIZATION OPTION UPDATED 'A'

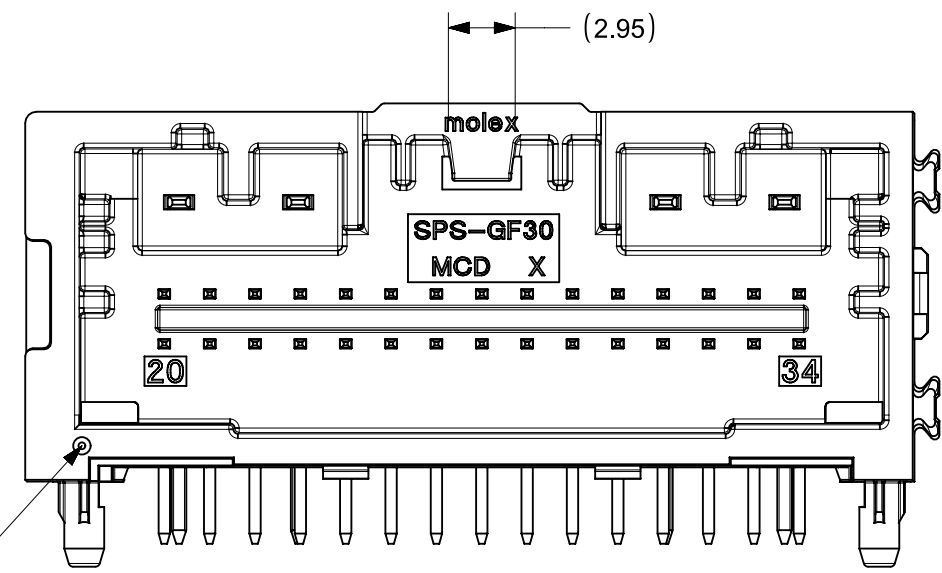


38CTK POLARIZATION OPTION UPDATED 'B'

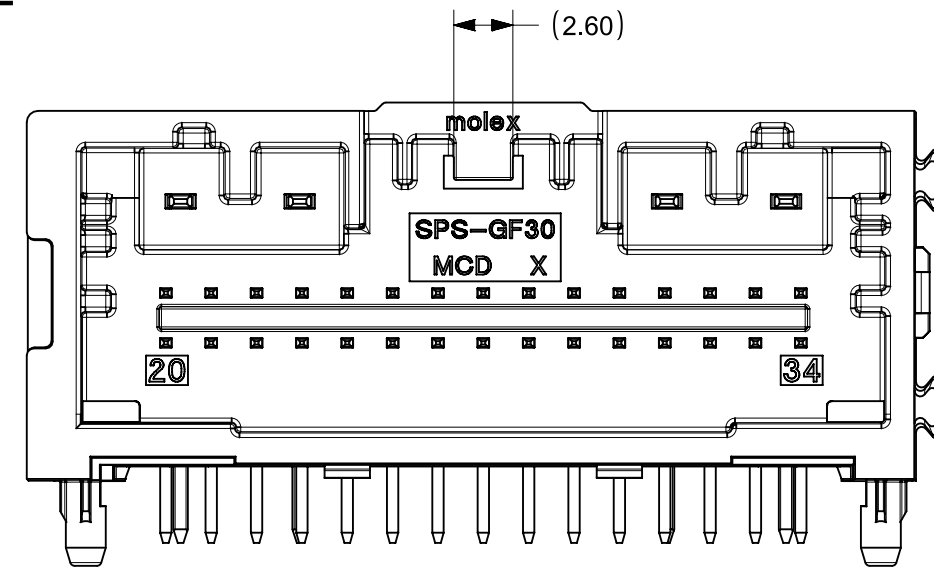


38CTK POLARIZATION OPTION UPDATED 'C'

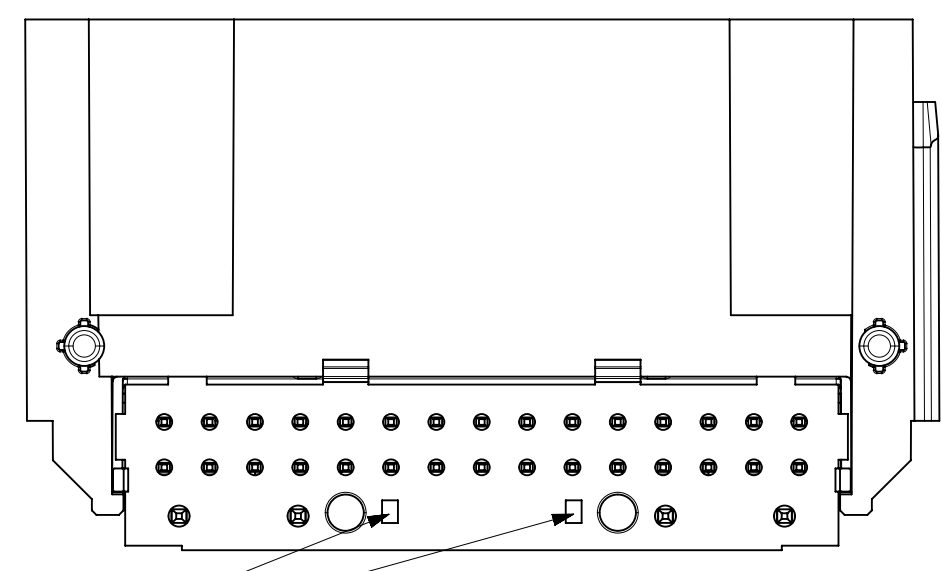
HB / V0 VERSION DIFFERENCE



DEPRESSION FEATURE ADDED TO V0 PART TO DISTINGUISH FROM HB PART



HB P/Ns: 34961XXXX  
APPLIES TO ALL CKT SIZES, USE 34CTK AS SHOWN



HOLE FEATURE ADDED TO V0 PART TO DISTINGUISH FROM HB PART

V0 P/Ns: 213355XXXX  
APPLIES TO ALL CKT SIZES, USE 34CTK AS SHOWN

FUNCTIONAL SYMBOLS	THIS DRAWING CONTAINS INFORMATION THAT IS PROPRIETARY TO MOLEX ELECTRONIC TECHNOLOGIES, LLC AND SHOULD NOT BE USED WITHOUT WRITTEN PERMISSION		CURRENT REV DESC: REFER TO REVISION COLUMN	
	FA = 0	mm	SCALE	3:1
DIVISIONAL SYMBOLS	FC = 0	GENERAL TOLERANCES (UNLESS SPECIFIED)		
	FD = 0	ANGULAR TOL ± 1.0°		
4 PLACES ±		PHASE: Design Production		
3 PLACES ±		CO NO: CO-000000910		
2 PLACES ±		DRWN: Shanks Wu 2022-04-08		
1 PLACE ±		CHK'D: Ringo Hu 2022-04-29		
0 PLACES ±		APPR: Colin Zhang 2022-05-05		
DRAFT WHERE APPLICABLE MUST REMAIN WITHIN DIMENSIONS		THIRD ANGLE PROJECTION		INITIAL REVISION:
		DRAWING		DRWN: Shanks Wu 2022-04-25
		SERIES		APPR: Colin Zhang 2022-05-05
		D-SIZE		34961
		MATERIAL NUMBER		SD-34961-130
		CUSTOMER		GENERAL MARKET
		DOC TYPE   DOC PART   REVISION		PSD   001   B
		SHEET NUMBER		3 OF 5

**molex**

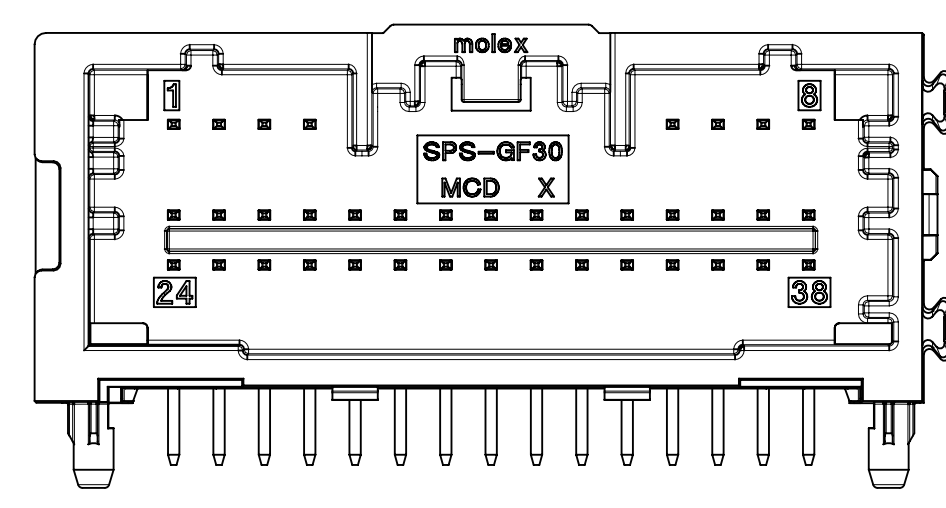
34&38CTK MINI50  
DEPOPULATED PINS HEADER SALES DRAWING

PRODUCT SALES DRAWING

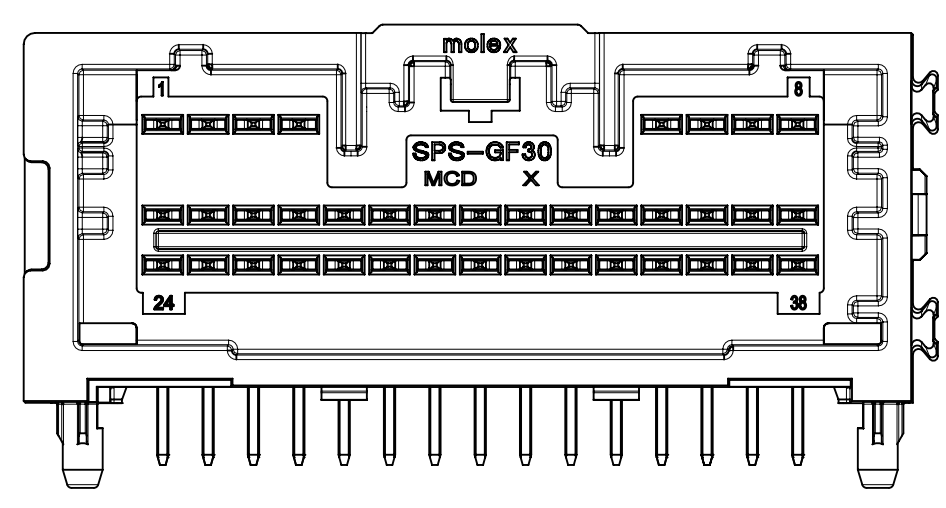


TABLE OF CONTENTS	
SHEET NO.	SHEET DESCRIPTION
4	PIN INSERTION DIRECTION VIEW PAP HOLE SHAPE VIEW

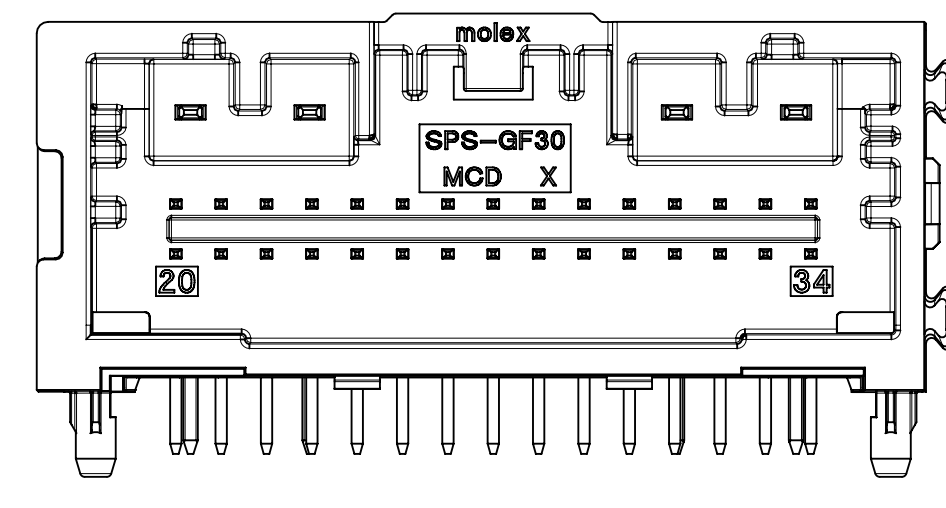
PIN INSERTION DIRECTION VIEW



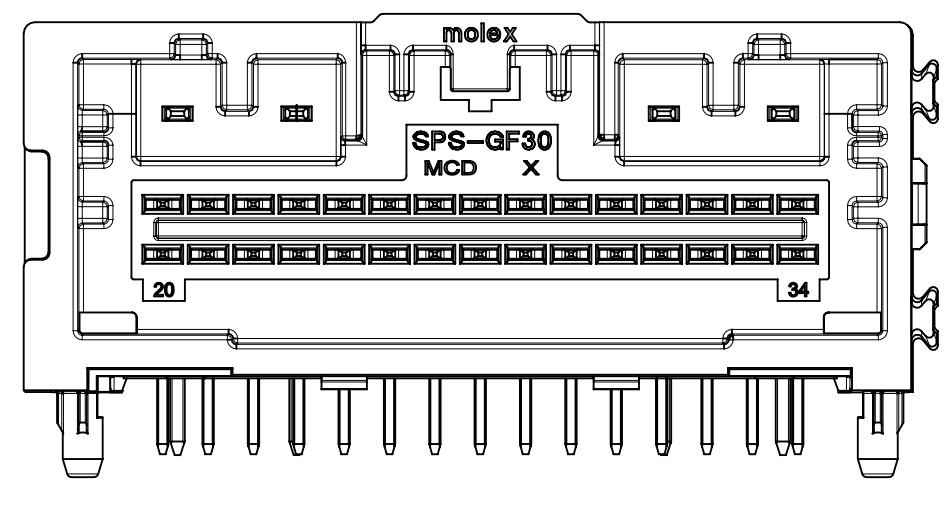
38CKT PIN INSERTION DIRECTION  
PCB SIDE TO MATING SIDE



38CKT PIN INSERTION DIRECTION  
MATING SIDE TO PCB SIDE

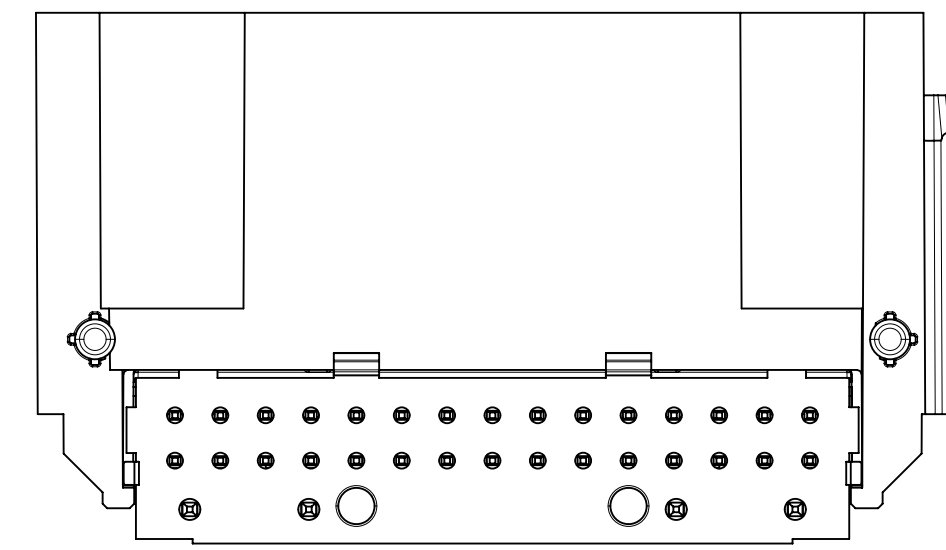


34CKT PIN INSERTION DIRECTION  
PCB SIDE TO MATING SIDE

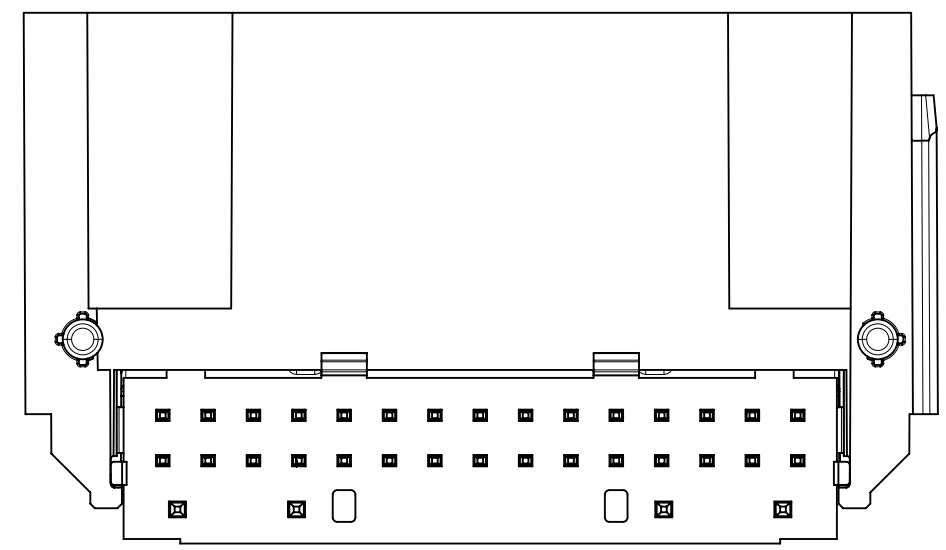


34CKT PIN INSERTION DIRECTION  
MATING SIDE TO PCB SIDE

PAP HOLE SHAPE VIEW



PAP HOLE SHAPE  
ROUND



PAP HOLE SHAPE  
SQUARE

<b>FUNCTIONAL SYMBOLS</b> $\nabla_A = 0$ $\nabla_C = 0$ $\nabla_P = 0$	THIS DRAWING CONTAINS INFORMATION THAT IS PROPRIETARY TO MOLEX ELECTRONIC TECHNOLOGIES, LLC AND SHOULD NOT BE USED WITHOUT WRITTEN PERMISSION	DIMENSION UNITS: <b>mm</b> SCALE: <b>1:1</b>	CURRENT REV DESC: REFER TO REVISION COLUMN	
	GENERAL TOLERANCES (UNLESS SPECIFIED) ANGULAR TOL $\pm 1.0^\circ$	PHASE: Design Production CO NO: CO-000000910 DRWN: Shanks Wu 2022-04-08 CHK'D: Ringo Hu 2022-04-29 APPR: Colin Zhang 2022-05-05	PRODUCT SALES DRAWING	
<b>DIVISIONAL SYMBOLS</b> 4 PLACES $\pm$ 3 PLACES $\pm$ 2 PLACES $\pm$ 1 PLACE $\pm$ 0 PLACES $\pm$	DRAFT WHERE APPLICABLE MUST REMAIN WITHIN DIMENSIONS	THIRD ANGLE PROJECTION	DRAWING: <b>D-SIZE</b> SERIES: <b>34961</b>	MATERIAL NUMBER: <b>34961</b> CUSTOMER: <b>GENERAL MARKET</b> SHEET NUMBER: <b>4 OF 5</b>