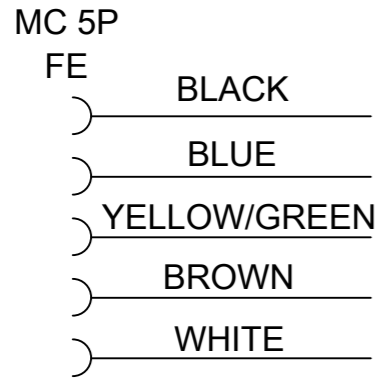
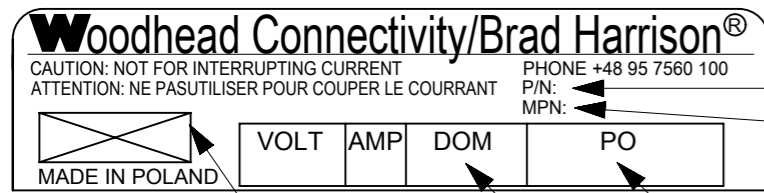


WIRING DIAGRAM



LABEL PRINTING



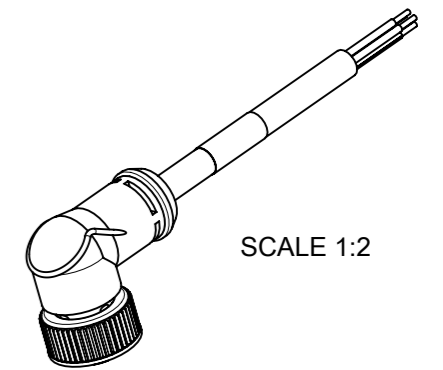
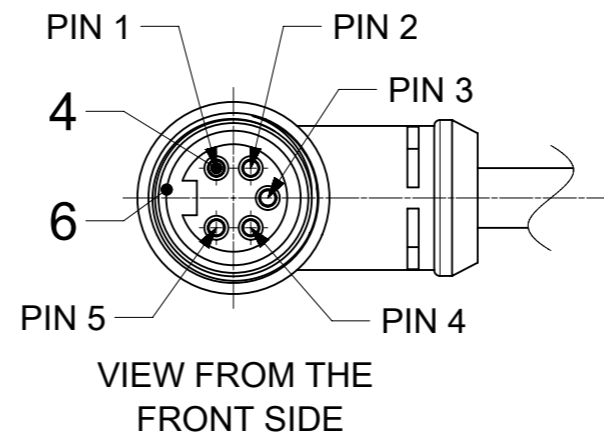
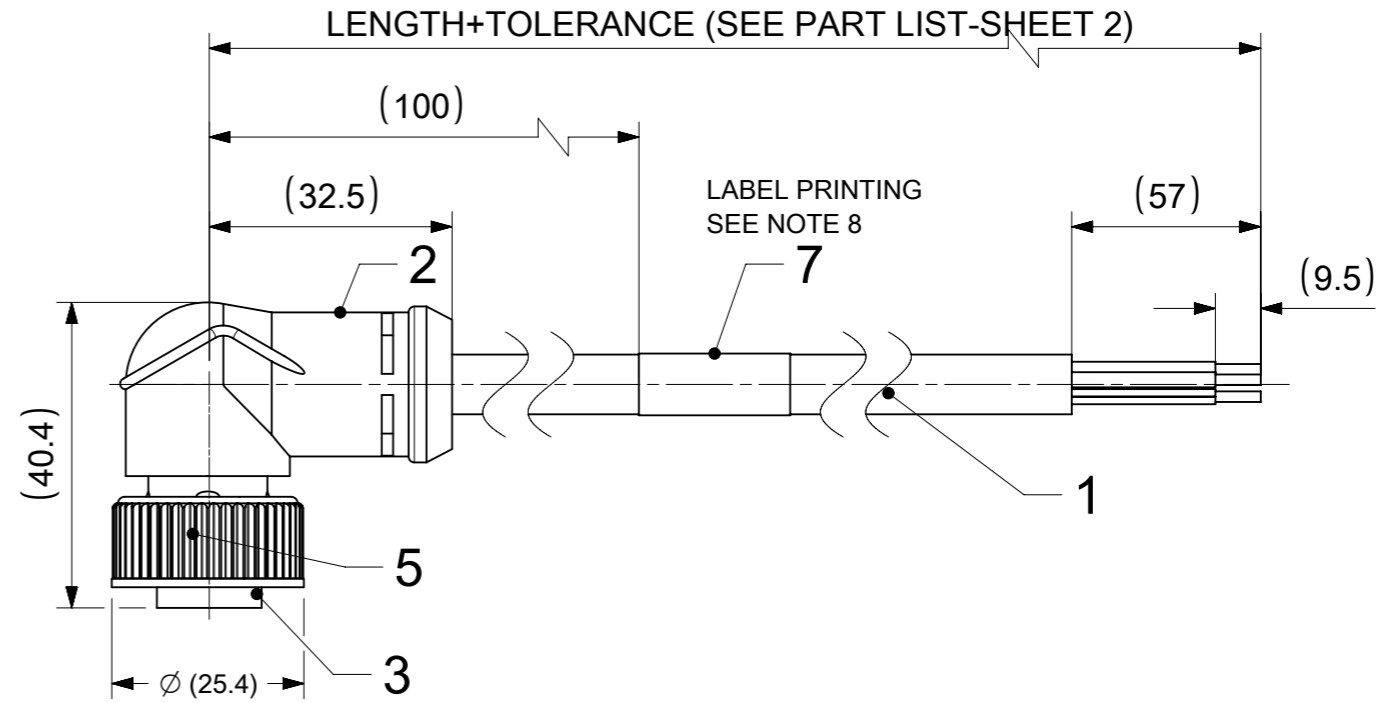
ENGINEERING NO.
MOLEX PN

PO NO.
PRODUCT. DATE

CERTIFICATION SYMBOLS

NOTES:

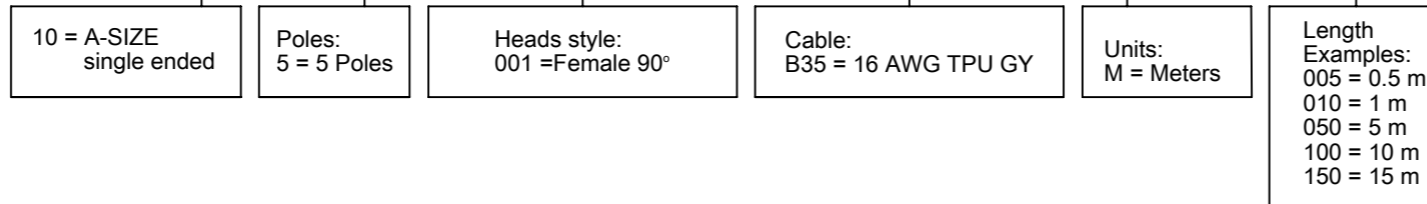
1. MATERIAL: AS NOTED
2. FINISH: AS NOTED
3. ELECTRICAL:
VOLTAGE: 600 V
CURRENT: 10 A
4. TEMPERATURE RATING:
STATIC: -40 °C TO 90 °C
DYNAMIC: -25 °C TO 80 °C
5. PROTECTION: IP67 (WHEN MATED)
6. UL CERTIFICATION: UL LISTED, FILE NO. E152210
7. BOM, PART LIST AND MATRIX - SEE SHEET 2
8. LABEL PRINTING ACC. STANDARD LABEL INSTRUCTION



FUNCTIONAL SYMBOLS	THIS DRAWING CONTAINS INFORMATION THAT IS PROPRIETARY TO MOLEX ELECTRONIC TECHNOLOGIES, LLC AND SHOULD NOT BE USED WITHOUT WRITTEN PERMISSION					
	DIMENSION UNITS mm	SCALE 1:1				
DIVISIONAL SYMBOLS	GENERAL TOLERANCES (UNLESS SPECIFIED)		PRODUCT CUSTOMER DRAWING			
	ANGULAR TOL ± 1.0 °		DOCUMENT NUMBER			
	4 PLACES ±	EC NO: 747270	2023/04/20		DOC TYPE	DOC PART
	3 PLACES ±	DRWN: RSCHIEBER	2023/04/27		PSD	001
	2 PLACES ± 0.05	CHK'D: RSILLER	2023/04/27		REVISION	A4
1 PLACE ± 0.3	APPR: RSILLER	INITIAL REVISION:				
0 PLACES ± 0.5	DRWN: RSTONE	2023/04/27		SD-130006-051		
DRAFT WHERE APPLICABLE MUST REMAIN WITHIN DIMENSIONS		THIRD ANGLE PROJECTION	DRAWING	SERIES	MATERIAL NUMBER	CUSTOMER
			A3-SIZE	130006	SEE SHEET 2	GENERAL MARKET
						SHEET NUMBER
						1 OF 2

PART No. MATRIX

1 0 5 0 0 1 B 3 5 M X X X



PART LIST

MOLEX PN	ENGINEERING NO.	L + Tol. [mm]
1300068174	105001B35M020	2000 + 89
1300068175	105001B35M050	5000 + 165
1300068176	105001B35M100	10000 + 317
1300068177	105001B35M200	20000 + 610
1300068178	105001B35M300	30000 + 610
1300068274	105001B35M010	1000 +56

BILL OF MATERIAL

ITEM	QTY	DESCRIPTION	MATERIAL	FINISH/COLOR
7	1	LABEL	VINYL	YELLOW
6	1	FRICTION RING	NYLON	-
5	1	COUPLINGNUT	ZINC DIE-CAST	BLACK E-COAT
4	5	FEMALE CONTACT	Cu ALLOY	GOLD OVER NICKEL
3	1	INSERT	PUR	BLACK
2	-	OVERMOLD	TPE	BLACK
1	-	CABLE 16AWG OD=8.5mm	TPU	GRAY
DOCUMENT STATUS		P1	RELEASE DATE	2023/04/27 12:11:50

FUNCTIONAL SYMBOLS	THIS DRAWING CONTAINS INFORMATION THAT IS PROPRIETARY TO MOLEX ELECTRONIC TECHNOLOGIES, LLC AND SHOULD NOT BE USED WITHOUT WRITTEN PERMISSION			
	$\nabla/A = 0$ $\nabla/E = 0$ $\nabla/P = 0$	DIMENSION UNITS mm	SCALE 1:1	
DIVISIONAL SYMBOLS	CURRENT REV DESC: NOTES UPDATED, LABEL PRINTING ADDED			
	GENERAL TOLERANCES (UNLESS SPECIFIED)			EC NO: 747270 DRWN: RSCHIEBER 2023/04/20 CHK'D: RSILLER 2023/04/27 APPR: RSILLER 2023/04/27
	ANGULAR TOL $\pm 1.0^\circ$		PRODUCT CUSTOMER DRAWING	
	4 PLACES \pm			DOCUMENT NUMBER SD-130006-051
	3 PLACES \pm			
2 PLACES ± 0.05		DOC PART 001		
1 PLACE ± 0.3			REVISION A4	
0 PLACES ± 0.5		SHEET NUMBER 2 OF 2		
DRAFT WHERE APPLICABLE MUST REMAIN WITHIN DIMENSIONS		THIRD ANGLE PROJECTION 	DRAWING A3-SIZE	
		SERIES 130006	MATERIAL NUMBER SEE SHEET 2	
		CUSTOMER GENERAL MARKET		