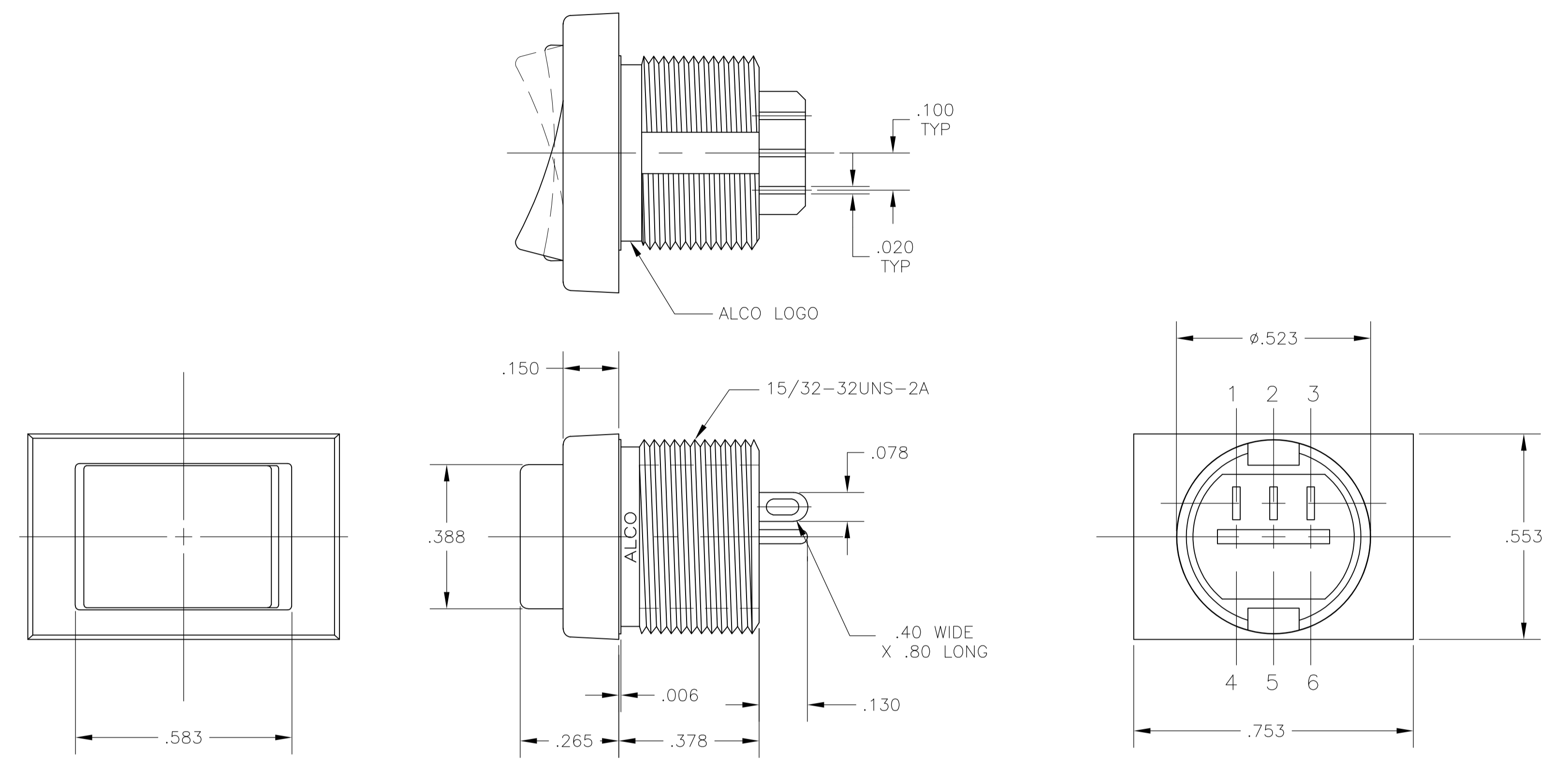
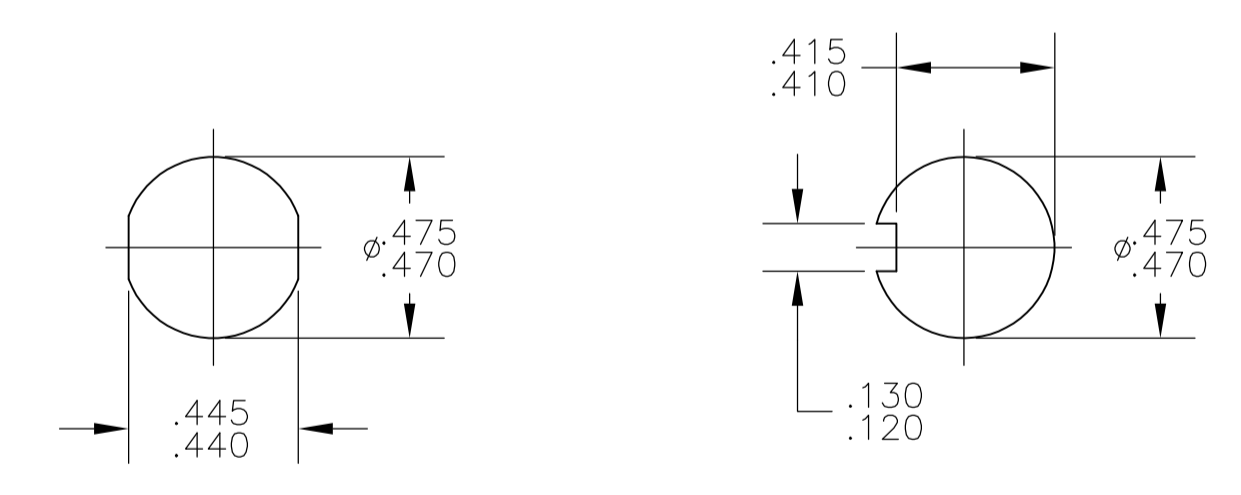


- 1 ALL MATERIALS AND FINISHES COMPLY WITH EU DIRECTIVE 2002/95/EC OF 27JAN2003 (RoHS).
- 2 TERMINAL NUMBERS ARE FOR REFERENCE ONLY AND DO NOT APPEAR ON THE SWITCHES.
- 3 MOUNTING HARDWARE: (1) HEX NUT AND (1) INTERNAL TOOTH LOCKWASHER SUPPLIED WITH SWITCH.



MATERIAL CHART		
COMPONENT NAME	BASE MATERIAL	FINISH
CASE	PPO, BLACK, UL94-HB	
ROCKER	NYLON 6 /6, BLACK, UL-94-V2	
SPRING	MUSIC WIRE	
SPRING, F & G FUNCTIONS	MUSIC WIRE	
INSULATOR	POLYETHERIMIDE, NATURAL	
TERMINAL, END, D, F & G FUNCTIONS	SILVER CLAD COPPER	SILVER OVER NICKEL
TERMINAL, CENTER, D & G FUNCTIONS	BRASS	GOLD OVER NICKEL
TERMINAL, CENTER, F FUNCTION	SILVER CLAD COPPER	SILVER OVER NICKEL
YOKE, G FUNCTION	BRASS	GOLD OVER NICKEL
ROCKER CONTACT, D & F FUNCTIONS	SILVER CLAD COPPER	
ROCKER CONTACT, G FUNCTION	SILVER CLAD COPPER	SILVER
NUT	BRASS	NICKEL
LOCKWASHER	STAINLESS STEEL	
TERMINAL SEAL	ACRYLIC RESIN	

SPECIFICATION CHART	
RATING	3A @ 125 VAC OR 28 VDC, RESISTIVE
INITIAL CONTACT RESISTANCE	20 MILLIOHMS MAX.
INSULATION RESISTANCE	1,000 MEGAOHMS MIN @ 500 VDC
DIELECTRIC WITHSTANDING VOLTAGE	500 V RMS AT SEA LEVEL
ELECTRICAL LIFE, 2 POSITION	80,000 CYCLES
ELECTRICAL LIFE, 3 POSITION	10,000 CYCLES
MECHANICAL LIFE, 2 POSITION	100,000 CYCLES
MECHANICAL LIFE, 3 POSITION	50,000 CYCLES
OPERATING TEMPERATURE	-20°C TO +80°C
STORAGE TEMPERATURE	-45°C TO +95°C



FUNCTION CHART							
PART NUMBER	ALCO P/N	POLE	THROWS	RATING	ON	NONE	OFF
1825420-1	TRD13D10WL04	1	2	3A	ON	NONE	ON
1825420-2	TRD13F10WL04	1	2	3A	(ON)	NONE	ON
1825420-3	TRD13G10WL04	1	2	3A	(ON)	OFF	(ON)
TERMINALS CONNECTED					2-1	-	2-3

NONE: NO MECHANICAL POSITION
 OFF: MECHANICAL POSITION WITH NO ELECTRIC CONNECTION
 (ON): MOMENTARY ACTION

THIS DRAWING IS A CONTROLLED DOCUMENT.		DIN: BSV	TE Connectivity	
DIMENSIONS: INCHES		CHK: M. ZITTO	APVD: M. ZITTO	
TOLERANCES UNLESS OTHERWISE SPECIFIED:		17JUN06	NAME: TRD SERIES ROCKER SWITCH, 1 POLE, 3A, WIRE LUG TERMINALS	
0. PLC	± .010	17JUN06	PRODUCT SPEC	
1. PLC	± .010		APPLICATION SPEC	
2. PLC	± .010		SIZE: A1	
3. PLC	± .010		CAGE CODE: 1825420	
4. PLC	± .010		DRAWING NO: 1825420	
ANGLES	± .010		RESTRICTED TO: -	
MATERIAL: SEE TABLE	FINISH: SEE TABLE	WEIGHT: -	CUSTOMER DRAWING	
		SCALE: 4:1	SHEET 1 OF 1 REV A2	