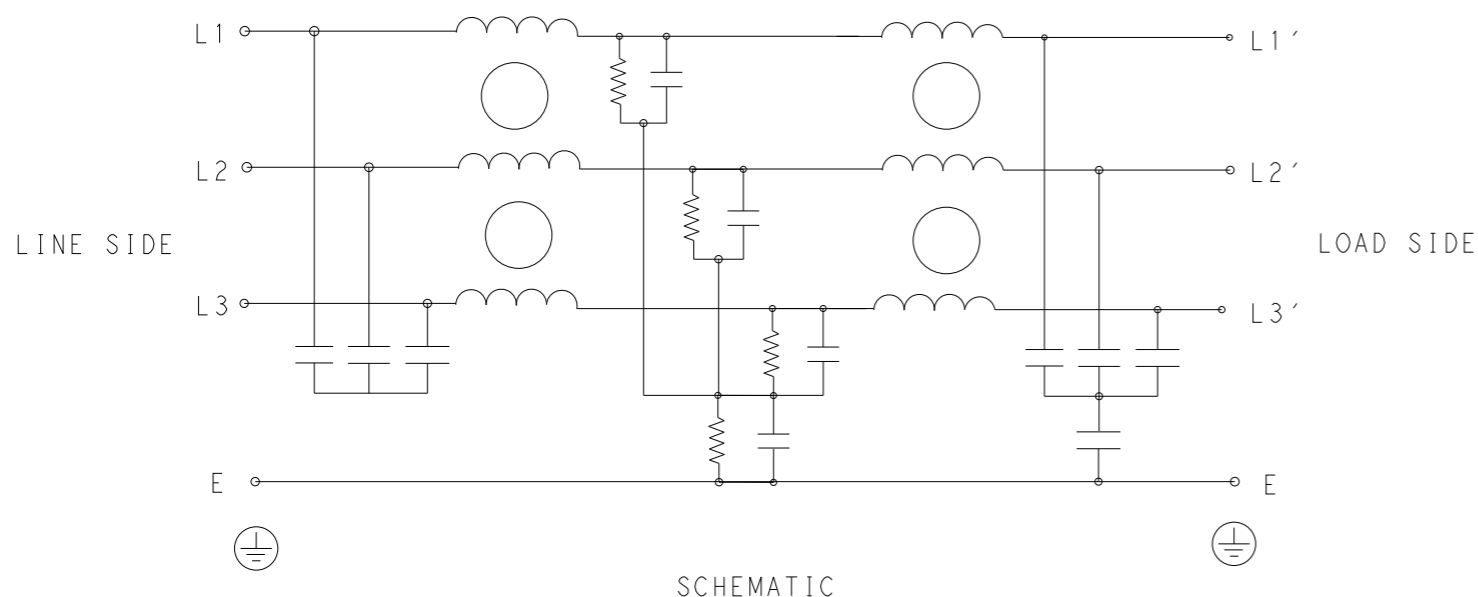


P	LTR	DESCRIPTION	DATE	DWN	APVD
	A	INITIAL RELEASE	26APR2021	SR	CB



SAFETY ORGANIZATIONS

THIS FILTER WILL BE FORMALLY RECOGNIZED, CERTIFIED OR APPROVED BY THE LISTED AGENCY. THEREFORE, ALL TEST/REQUIREMENTS SPECIFIED IN THE LATEST REVISION OF THE FOLLOWING AGENCY STANDARDS WILL BE MET:

UL APPROVED 42A 440V 50Hz/60Hz 40°C  
 CSA APPROVED 42A 440V 50Hz/60Hz 40°C

OPERATING SPECIFICATION

LINE CURRENT/VOLTAGE: 42A, 440VAC  
 LINE FREQUENCY: 50/60Hz

MAXIMUM LEAKAGE CURRENT: 15mA @ 230VAC, 50Hz

OPERATING AMBIENT TEMPERATURE RANGE @ RATED CURRENT: -25°C TO +40°C

IN AN AMBIENT, T<sub>a</sub>, HIGHER THAN 40°C, THE MAXIMUM OPERATING CURRENT, I<sub>o</sub>, IS AS FOLLOWS:

$$I_o = I_r \sqrt{\frac{85 - T_a}{45}}$$

RELIABILITY SPECIFICATIONS

STORAGE TEMPERATURE: -40°C TO +85°C  
 HUMIDITY: 21 DAYS @ 40°C AND 95% RH

TEST SPECIFICATIONS

INDUCTANCE, NOMINAL: 3mH

CAPACITANCE @ 1kHz  
 LINE TO GROUND, NOMINAL: 1μF  
 LINE TO LINE, NOMINAL: 1.5μF

DISCHARGE RESISTOR

L/L I.R. 3MΩ 1W  
 L/N I.R. XXX  
 L/G I.R. 680KΩ 1W  
 N/G I.R. XXX  
 IR (NO DISCHARGE RESISTOR) 20°C, 50% RH AND 100VDC, MIN: 6MΩ

RECOMMENDED RECEIVING INSPECITON HIPOT

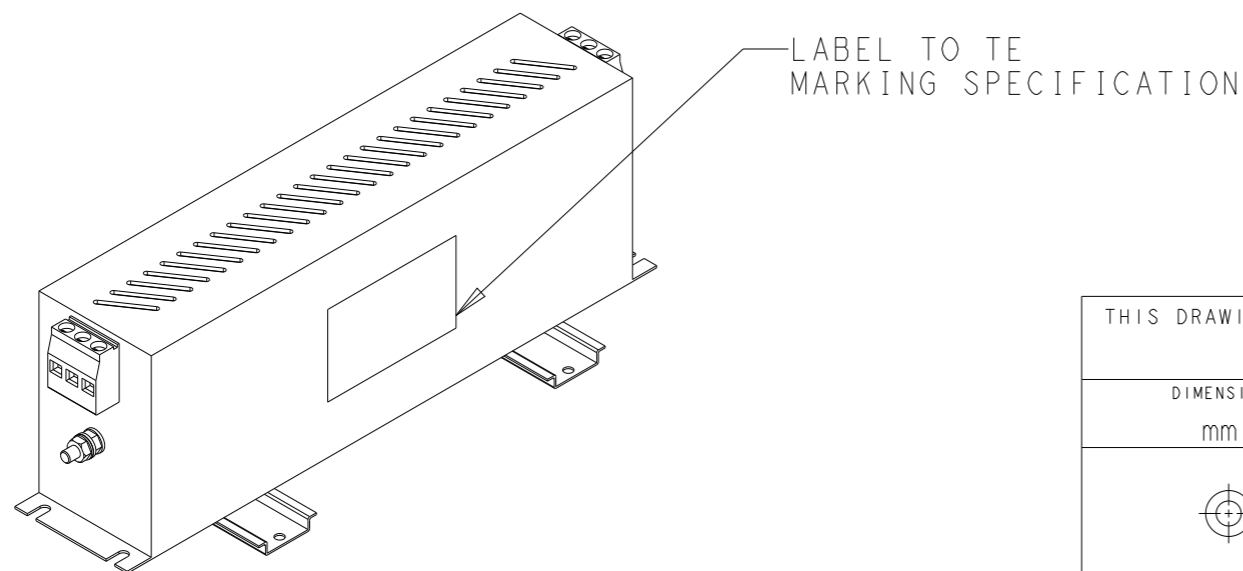
LINE TO GROUND FOR 1 MINUTE: 2632VDC  
 LINE TO LINE FOR 1 MINUTE: 1892VDC

FILTER APPROVAL

THE BEST WAY TO SELECT AND QUALIFY A FILTER IS FOR YOUR ENGINEERING TO TEST THE UNIT IN YOUR EQUIPMENT.

TYPICAL INSERTION LOSS  
 COMMON MODE 50/50Ω; DIFFERENTIAL MODE 50/50Ω

MHz	0.01	0.05	0.15	0.5	1	3	5	10	30
CM	45	50	65	75	80	65	56	42	32
DM	18	24	50	70	84	60	45	19	26



THIS DRAWING IS A CONTROLLED DOCUMENT.		DWN SUPREETH R 26APR2021													
DIMENSIONS: mm		CHK CHRIS BOLLE 26APR2021													
TOLERANCES UNLESS OTHERWISE SPECIFIED:		APVD CHRIS BOLLE 26APR2021													
<table border="0"> <tr> <td>0 PLC</td> <td>±0.5</td> </tr> <tr> <td>1 PLC</td> <td>±0.40</td> </tr> <tr> <td>2 PLC</td> <td>±0.130</td> </tr> <tr> <td>3 PLC</td> <td>±0.0500</td> </tr> <tr> <td>4 PLC</td> <td>±</td> </tr> <tr> <td>ANGLES</td> <td>±</td> </tr> </table>		0 PLC	±0.5	1 PLC	±0.40	2 PLC	±0.130	3 PLC	±0.0500	4 PLC	±	ANGLES	±	NAME POWER LINE FILTER FOR DIN RAIL 35 INSTALLATION 42KEHD10ABSDHM	PRODUCT SPEC -
0 PLC	±0.5														
1 PLC	±0.40														
2 PLC	±0.130														
3 PLC	±0.0500														
4 PLC	±														
ANGLES	±														
MATERIAL -		APPLICATION SPEC -	SIZE A300779	CAGE CODE C-3-1609969-6	RESTRICTED TO -										
FINISH -		WEIGHT -	DRAWING NO. C-3-1609969-6		SCALE 3:10										
-		CUSTOMER DRAWING	SHEET 1 OF 2		REV A										

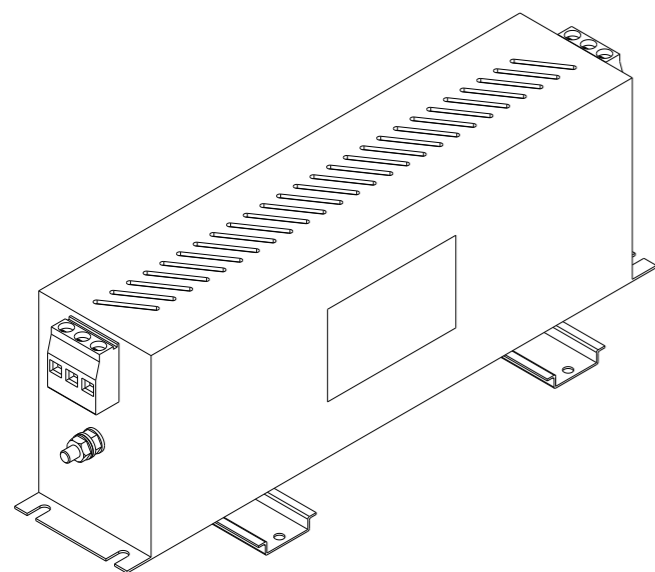
NOTE 1 GROUND CONNECTION:  
 FOR ELECTRICAL SAFETY AND FILTER PERFORMANCE  
 UNIT MUST HAVE A GOOD GROUND CONNECTION.  
 TORQUE OUTER TERMINAL SCREWS: 1.2Nm / 10.8 in.lbs  
 TORQUE GROUND NUTS: 2.5-3Nm

NOTE 2 INPUT OUTPUT CONNECTION TERMINAL  
 AWG SIZE: 26-8 AWG  
 WIRE SECTION: 10 mm<sup>2</sup>  
 THREADED BOLT SIZE FOR GROUND: M6

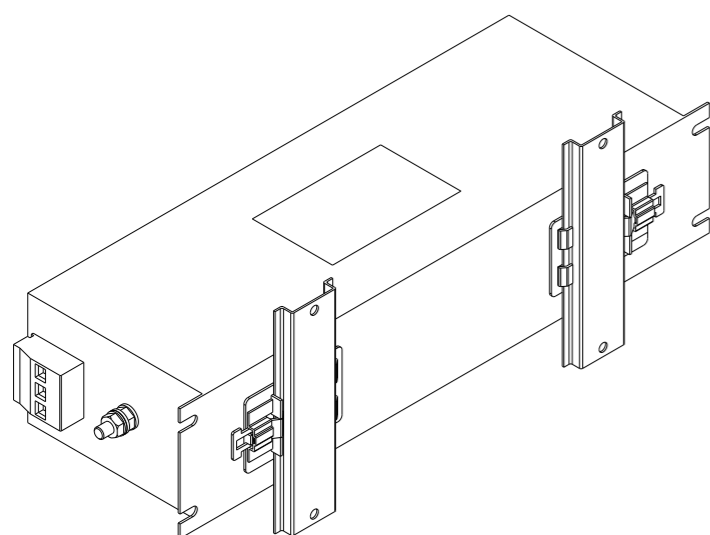
NOTE 3 SUPPLIED WITH DIN RAIL BRACKET.

NOTE 4 DRAWING SHOWS DIN RAIL FOR  
 REFERENCE ONLY.

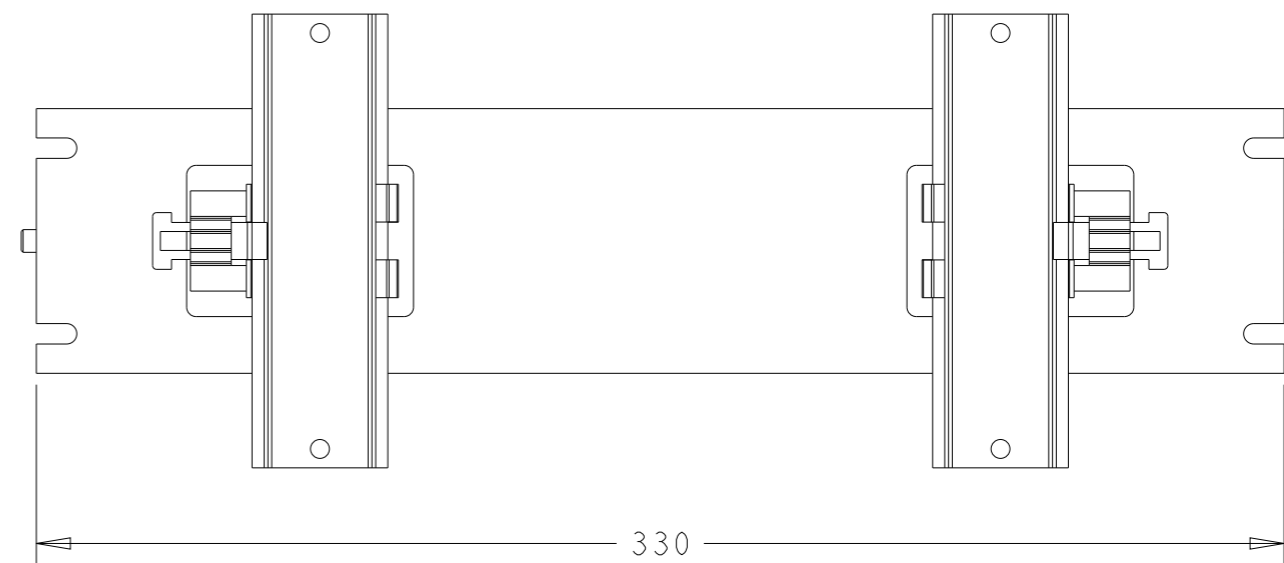
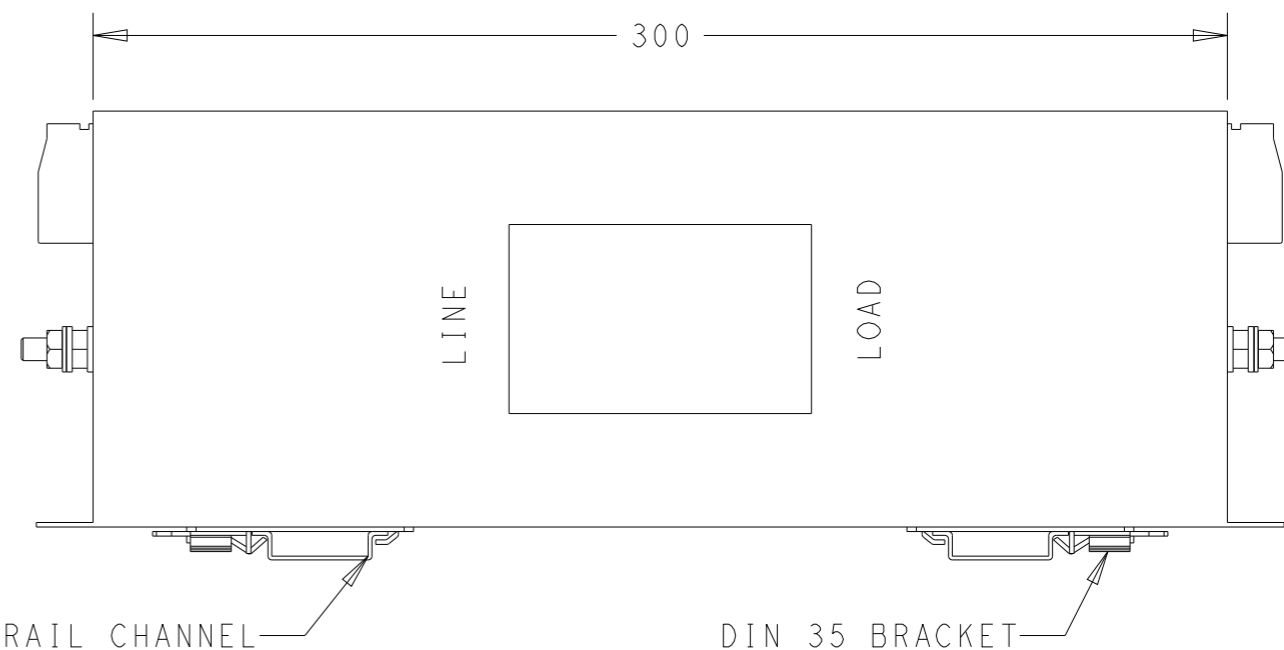
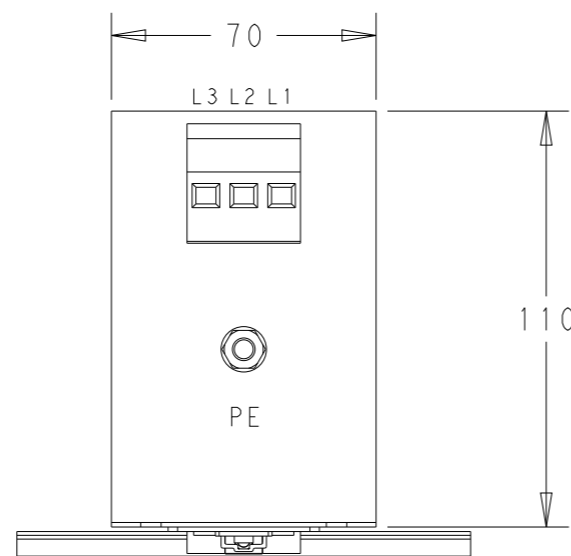
REVISIONS					
P	LTR	DESCRIPTION	DATE	DWN	APVD
		SEE SHEET 1			



FRONT SIDE



REAR SIDE



THIS DRAWING IS A CONTROLLED DOCUMENT.		DWN	26APR2021	<b>TE</b> TE Connectivity				
		CHK	26APR2021					
		APVD	26APR2021					
		PRODUCT SPEC	CHRIS BOLLE					
DIMENSIONS: mm		TOLERANCES UNLESS OTHERWISE SPECIFIED:		NAME POWER LINE FILTER FOR DIN RAIL 35 INSTALLATION 42KEHD10ABSDHM				
		0 PLC	±-	SIZE	CAGE CODE	DRAWING NO	RESTRICTED TO	
		1 PLC	±0.5	A3	00779	C-3-1609969-6	-	
		2 PLC	±0.40	CUSTOMER DRAWING				SCALE
		3 PLC	±0.130					1:2
		4 PLC	±0.0500					SHEET
		ANGLES	±-					2 OF 2
MATERIAL		FINISH						REV
								A