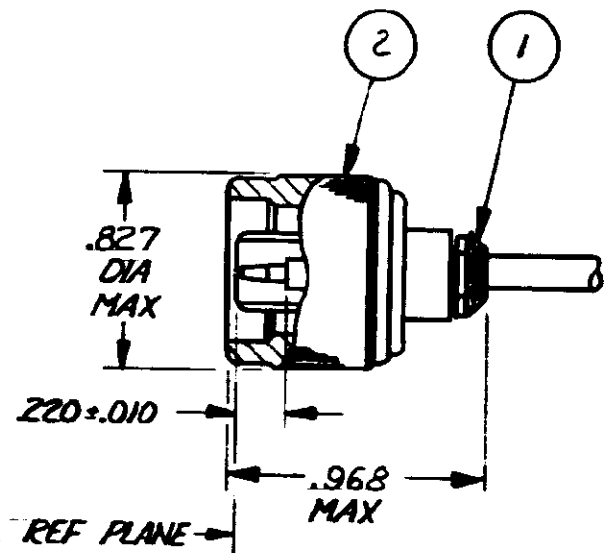
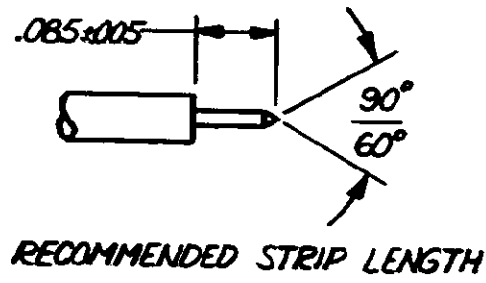


REVISIONS					
P	F	LTR	DESCRIPTION	DATE	APPROVED
✓	✓	0	NPS 81-3667 REDRAWN	6/19/52	<i>RCM</i>
✓	✓	A	REVISED PER CB3-709	9-7-53	<i>RCM / JH</i>

228440-1

THIS DRAWING IS UNPUBLISHED. RELEASED FOR PUBLICATION

BY AMP INCORPORATED, HARRISBURG, PA. ALL INTERNATIONAL RIGHTS RESERVED. AMP PRODUCTS MAY BE COVERED BY U.S. AND FOREIGN PATENTS AND/OR PATENTS PENDING.



1. FOR USE WITH: RG-402/U .141 SEMI-RIGID CABLE

ITEM	QTY	DESCRIPTION	PART NO
2	1	PLUG ASS'Y	228441-1
1	1	ADAPTOR ASS'Y	228446-1

UNLESS OTHERWISE SPECIFIED DIMENSIONS ARE IN INCHES. TOLERANCES ON: DECIMALS ± — ANGLES ± —

CONTRACT NO	
DR <i>Bill Uhlman 1/11/52</i>	
CHK <i>R. Calabrese 6-18-52</i>	
APPD <i>R. Hagedorn 6/18/52</i>	
APPD <i>Reschke 6/18/52</i>	
DSGN APPD	
OTHER APPD	

AMP | AMP INCORPORATED
Harrisburg, Pa. 17105

NAME **CONNECTOR, COAXIAL, R.F.,
PLUG, N SERIES**

SIZE A	FSCM NO 00779	DRAWING NO 228440-1
---------------	----------------------	----------------------------

SCALE **NTS** SHEET _____