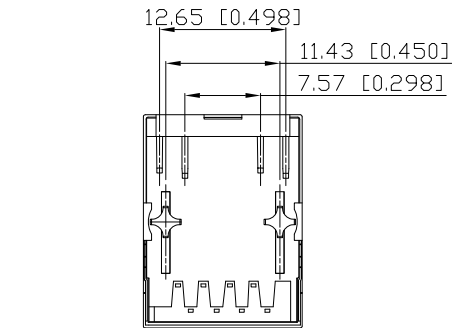
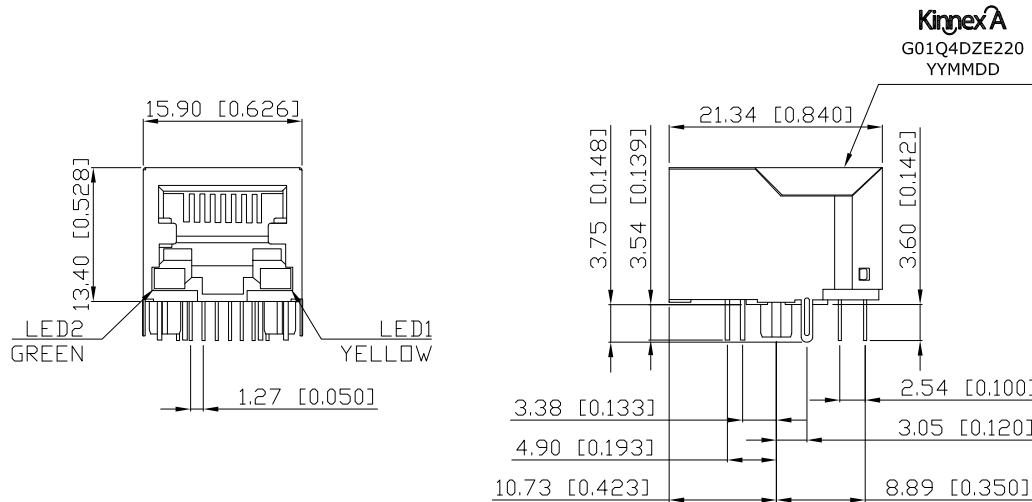
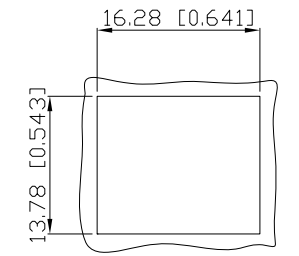
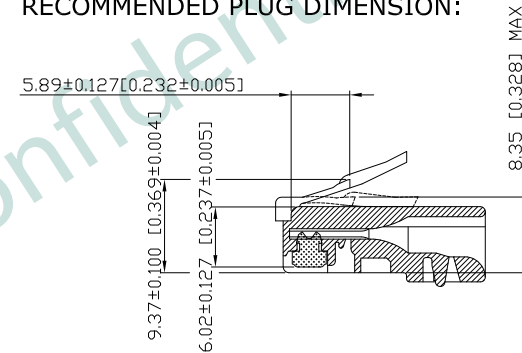


1. MECHANICAL DIMENSIONS :



RECOMMENDED PLUG DIMENSION:



RECOMMENDED
PANEL CUTOUT DIMENSION

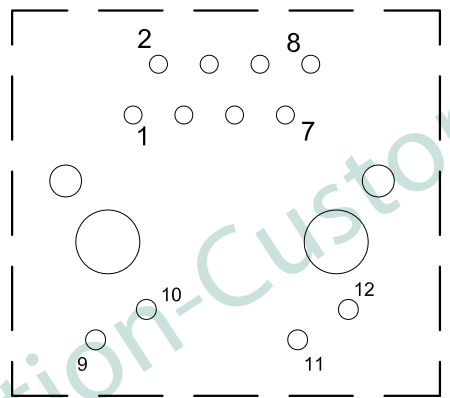
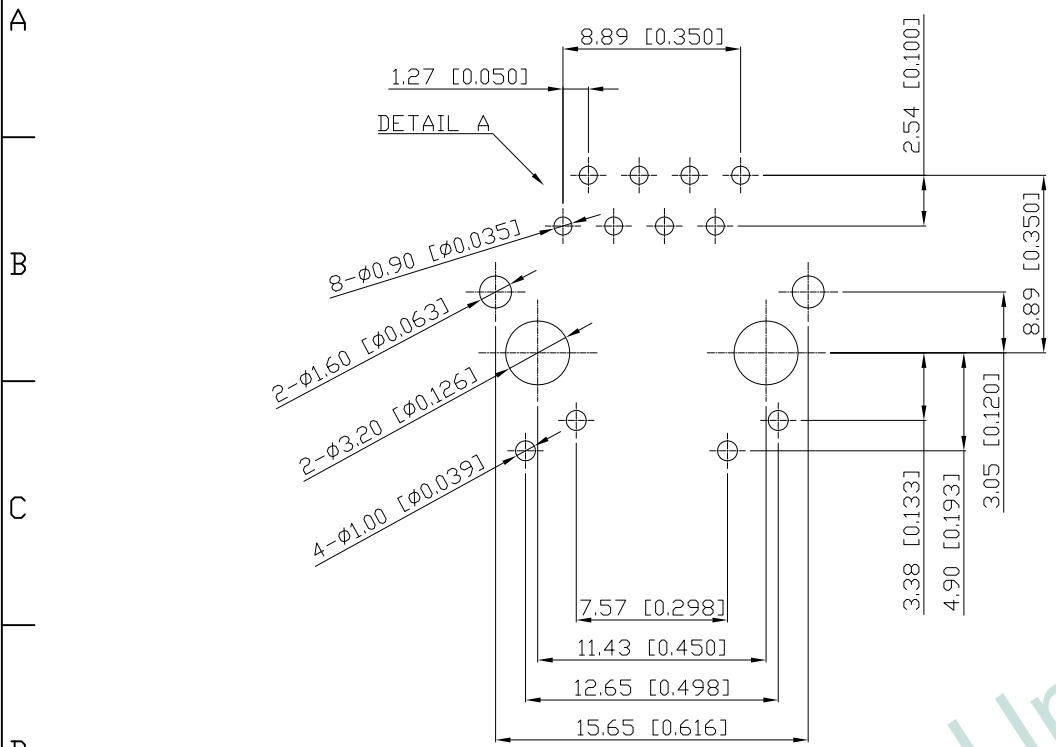
REV.	DATE	DESCRIPTION
01	Jan. 03, '18	1st RELEASE

NOTES:

1. MATERIAL:
HOUSING: HIGH THERMOPLASTIC, UL94V-0, BLACK
CONTACTS: T=0.30mm PHOS-BRONZE,
6μ" GOLD PLATING ON CONTACT AREA,
NICKEL UNDERPLATING OVERALL
SHIELD: T=0.20mm COPPER ALLOY, NICKEL PLATING
2. OPERATING TEMPERATURE: -40°C~+85°C
3. INSERTION FORCE: 4 POUNDS MAX.
EXTRACTION FORCE: 4 POUNDS MAX.
4. DURABILITY: 750 MATING CYCLED MIN.
5. CAVITY CONFORMS TO FCC RULES AND REGULATIONS PART 68,
SUBPART F.
6. UNSPECIFIED TOLERANCE: .XX ±0.25[0.010]
.X ±0.30[0.012]

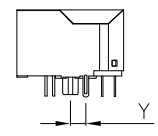
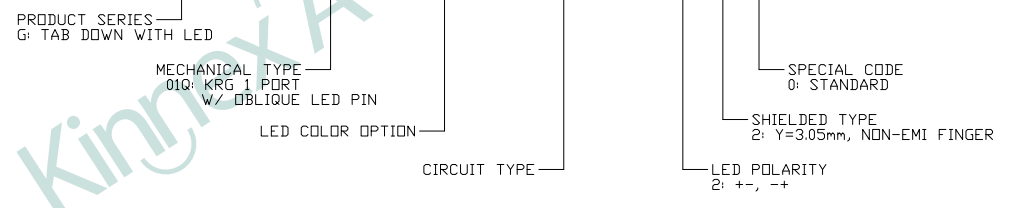
PART NO		KRG-01Q-4-DZE-220		
TITLE	RJ45 8P8C, W/ 10/100 TRANSFORMER, W/LED, SHIELDED			
REV : 01				
UNIT	DRAWN	CHKD	DATE	SHEET
mm[inch]	CINDY	DANIEL	Jan. 03, '18	1 of 5

2. PCB LAYOUT :



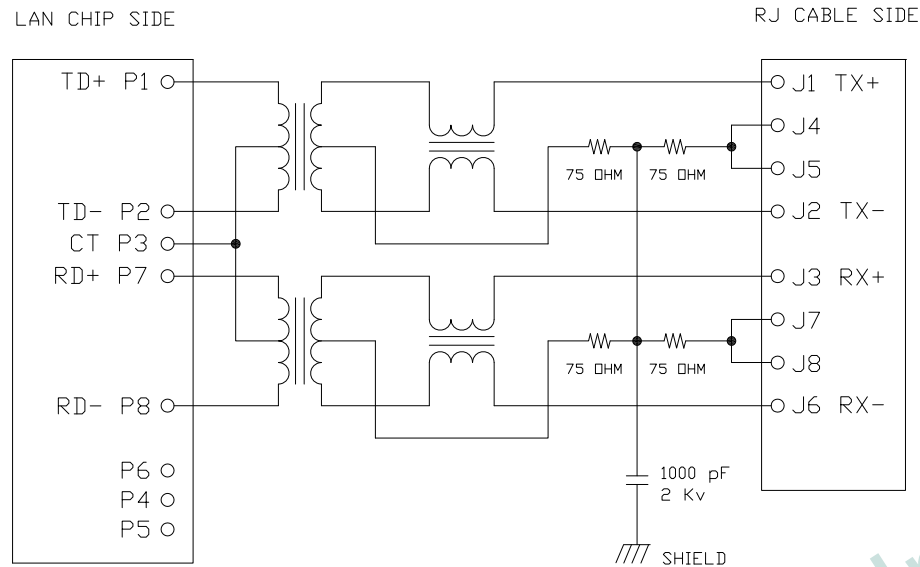
SUGGESTED PCB LAYOUT
(TOP VIEW) SCALE 2:1
DIMENSIONAL TOLERANCE: .XX ±0.08[0.003]

KRG-01Q-4-DZE-220



PART NO		KRG-01Q-4-DZE-220		
TITLE	RJ45 8P8C, W/ 10/100 TRANSFORMER, W/LED, SHIELDED			
REV : 01				
UNIT	DRAWN	CHKD	DATE	SHEET
mm[inch]	CINDY	DANIEL	Jan. 03, '18	2 of 5

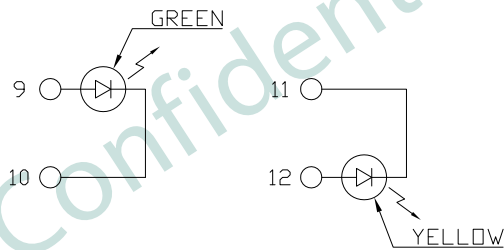
3. SCHEMATIC :



4. ELECTRICAL CHARACTERISTICS :

TEST NOTES:(25±5°C)

- TR:
INPUT TO OUTPUT=1:1±3%
- LX:(100KHz,100mV,8mA, DC Bias)
350uH MINIMUM
- DCR:
EVERY RJ PAIR=1.2 Ω MAXIMUM
- HIPOT:
INPUT(RJ SIDE) TO OUTPUT(LAN SIDE):
1500 VAC/60SEC
- INSERTION LOSS:
-1.0dB MAXIMUM AT 0.3MHz TO 100MHz
- RETURN LOSS:
-20dB MINIMUM AT 1MHz TO 30MHz
-15dB MINIMUM AT 30MHz TO 60MHz
-10dB MINIMUM AT 60MHz TO 80MHz
- CROSS TALK:
-30dB MINIMUM AT 1MHz TO 100MHz
- COMMON TO COMMON MODE REJECTION:
-30dB MINIMUM AT 1MHz TO 100MHz

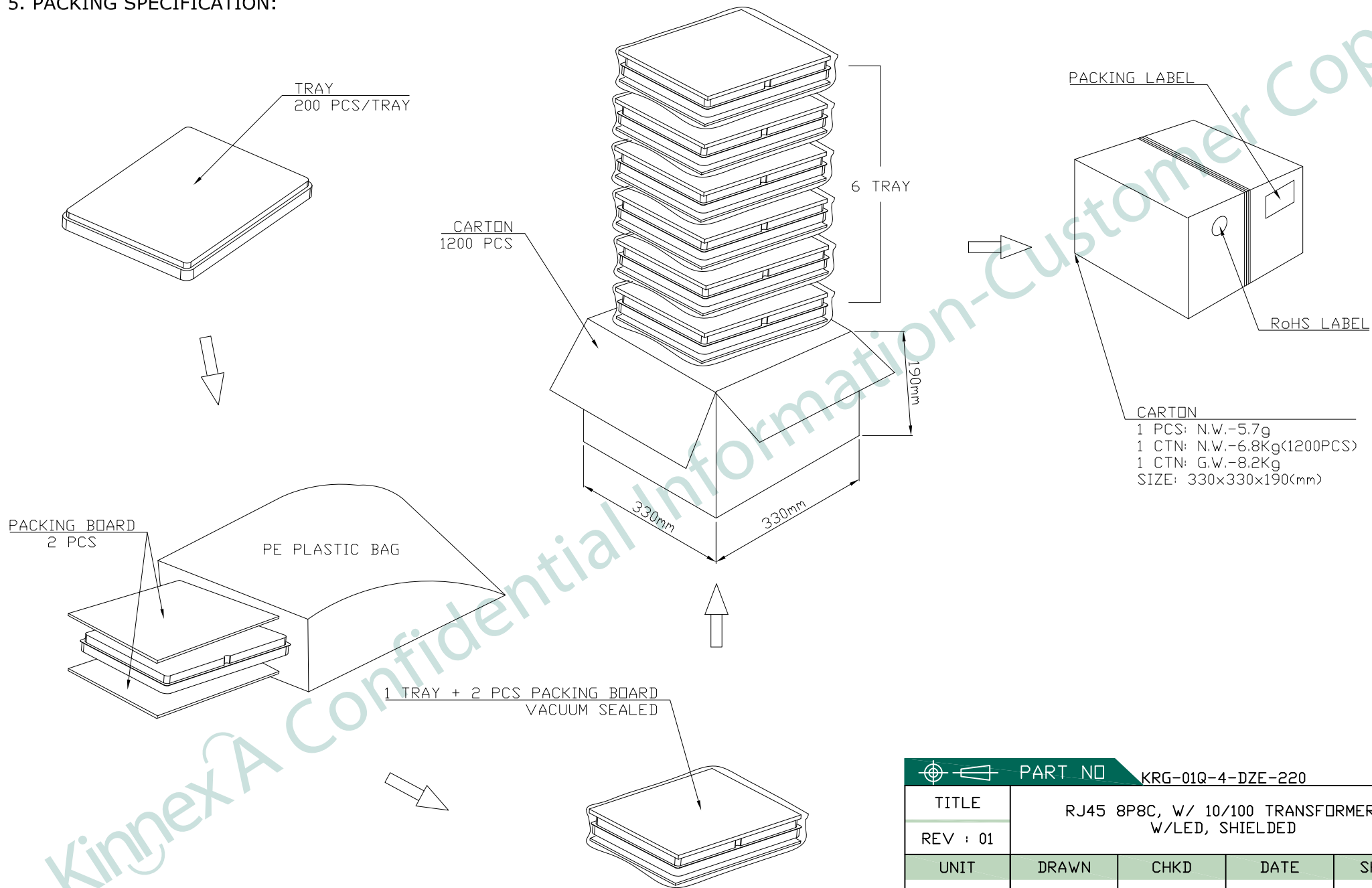


COLOR	VF(V) @20mA		IV(mcd) @20mA	IF(mA)	PEAK WAVE LENGTH λP(nm) @20mA
	TYP	MAX	TYP	TYP	TYP
GREEN	2.2	2.6	10	20	570
YELLOW	2.2	2.6	15	20	588

PART NO		KRG-01Q-4-DZE-220		
TITLE	RJ45 8P8C, W/ 10/100 TRANSFORMER, W/LED, SHIELDED			
REV : 01				
UNIT	DRAWN	CHKD	DATE	SHEET
mm[inch]	CINDY	DANIEL	Jan. 03, '18	3 of 5

5. PACKING SPECIFICATION:

A
B
C
D
E
F



PART NO KRG-01Q-4-DZE-220				
TITLE	RJ45 8P8C, W/ 10/100 TRANSFORMER, W/LED, SHIELDED			
REV : 01				
UNIT	DRAWN	CHKD	DATE	SHEET
mm[inch]	CINDY	DANIEL	Jan. 03, '18	4 of 5

DWG NO KRG-01Q-4-DZE-220

KinnexA, INC. 8F, No. 172, CHENG TEH ROAD SEC. 4, TAIPEI 11167, TAIWAN

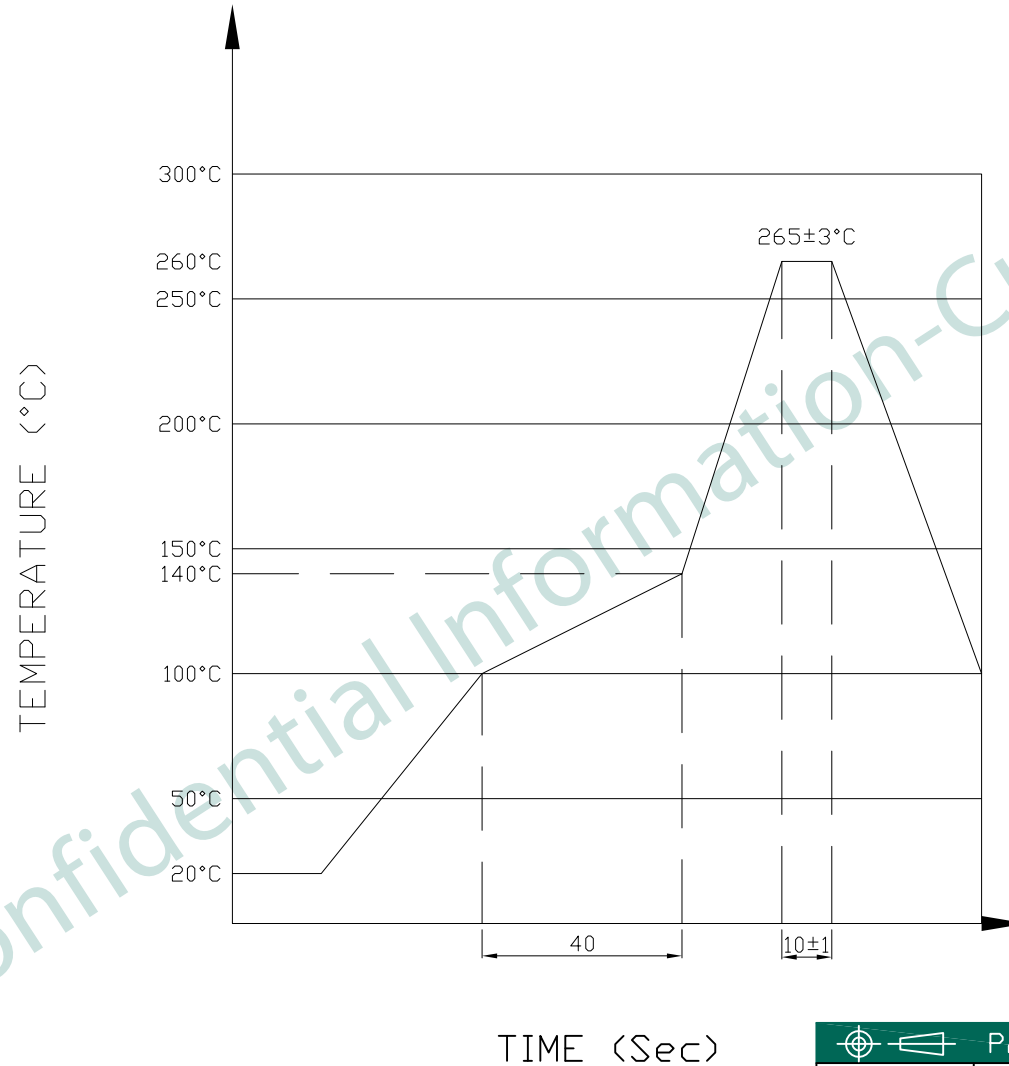
Connected by

PRELIMINARY RELEASE SUBJECT TO CHANGE

※ THIS DRAWING IS A CONTROLLED DOCUMENT ※

RoHS Compliant

6. PROFILE OF WAVE SOLDER :



The measuring point for the specified temperature shall be on the soldered part of the lead

PART NO KRG-01Q-4-DZE-220				
TITLE	RJ45 8P8C, W/ 10/100 TRANSFORMER, W/LED, SHIELDED			
REV : 01				
UNIT	DRAWN	CHKD	DATE	SHEET
mm[inch]	CINDY	DANIEL	Jan. 03, '18	5 of 5