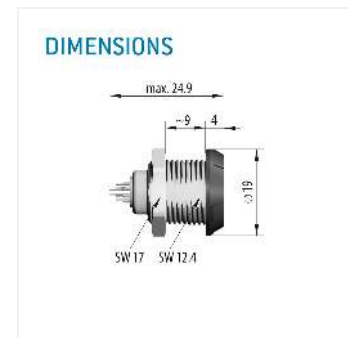
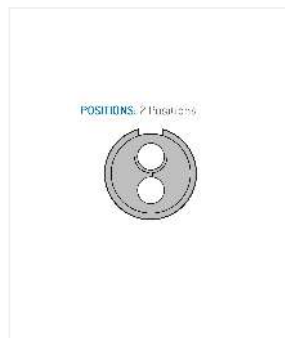
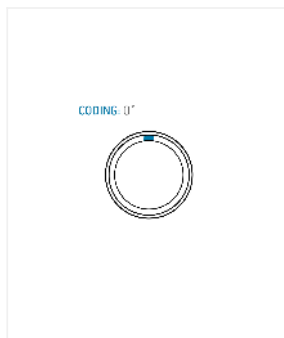


**General information**

|                   |                     |
|-------------------|---------------------|
| Part number       | G11M07-P02LPN0-0070 |
| Termination       | solder              |
| Size              | 1                   |
| Locking principle | break , push        |
| Coding            | 0_key               |



**Contact insert description**

|                      |         |
|----------------------|---------|
| Number of contacts   | 2       |
| Contact type         | sockets |
| Contact diameter     | 13mm    |
| Insulator material   | peek    |
| Wire cross section   | 18_awg  |
| Termination          | solder  |
| Termination diameter | 14mm    |

reverse\_gender\_on\_request

**Technical information**

|  |          |                       |
|--|----------|-----------------------|
| Max. creepage and air clearance distance | 10_mm    | iec_60601_1mopp_2moop |
| Nominal current single contact           | 15_a     | iec_60512_5_2         |
| Nominal current insert                   | 15 A     | vde_0298_4            |
| Test voltage                             | 16_kv_dc | sae_13441             |

safety\_text  
 iec\_60601\_receptacle

## Mechanical and environmental data

|                       |          |
|-----------------------|----------|
| Degree of protection* | ip50     |
| Operating temperature | 50_120_c |
| Mating cycles         | 5000     |

mated\_unmated

## Insulator materials MEDI-SNAP®

psu\_peek

## Material and surface treatments

|              |               |
|--------------|---------------|
| Housing      | psu_gray      |
| Color option | gray          |
| Contact      | cu_alloy_gold |

safety\_text\_2  
ul\_text  
illustrative\_text