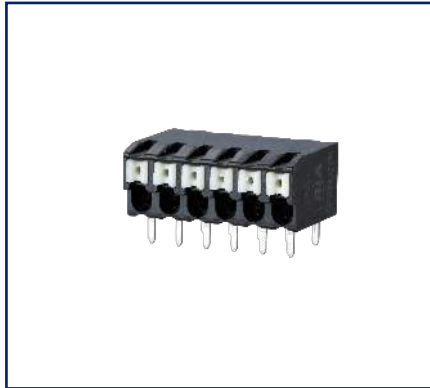
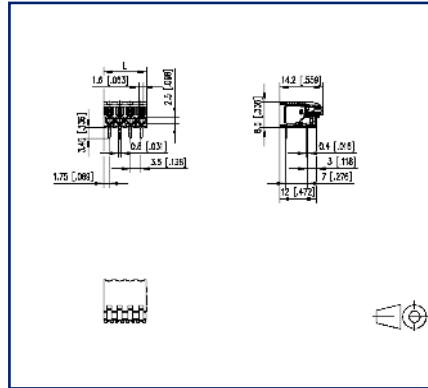


**Data sheet**  
**SR213xxHBNC AST223**

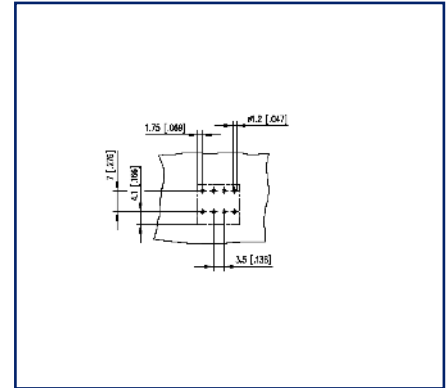
**Illustrations**



Dimensional drawing



Drill pattern





See enlarged drawings at the end of document

**Product specification**

- spring clamp terminal block, THR solderable, double solder pins
- centerline 3.50 mm, direction of connection 90°
- fittable without loss of poles
- color black
- Tape & Reel packaging possible
- push-button

## Technical Data

General Data			
Solder pin length	3.45 mm		
min. number of poles	2		
max. number of poles	12		
Insulating material class	CTI 600		
clearance/creepage dist.	2 mm		
Protection category	IP20		
Min. insul. strip length	8.5 mm		
Rated current	13.5 A		
Overvoltage category	III	III	II
Pollution degree	3	2	2
Rated voltage	160 V	400 V	400 V
Rated test voltage	2.5 kV	2.5 kV	2.5 kV
Terminal data			
rat.wiring solid AWGmax	0.08 mm <sup>2</sup> - 1.5 mm <sup>2</sup> / AWG 28 - AWG 16		
rat.wiring strand.AWGmax	0.08 mm <sup>2</sup> - 1.5 mm <sup>2</sup> / AWG 28 - AWG 16		
Approvals			
 V / A / AWG	150 / 10 / 28 - 16		
approval UL - File No.	E121004		
 1.5 mm <sup>2</sup>	130 V / 17.5 A / T60		
Material			
insulating material	PA66/6T		
flammability class	V0		
spring material	Spring steel		
contact material	CuSn		
Contact surface	Sn		
Glow-Wire Flammability GWFI	960 °C acc. to IEC 60695-2-12		
Glow-Wire Flammability GWIT	775 °C acc. to IEC 60695-2-13		
Climatic Data			
upper limit temperature	105 °C		
lower limit temperature	-40 °C		

## Technical Data

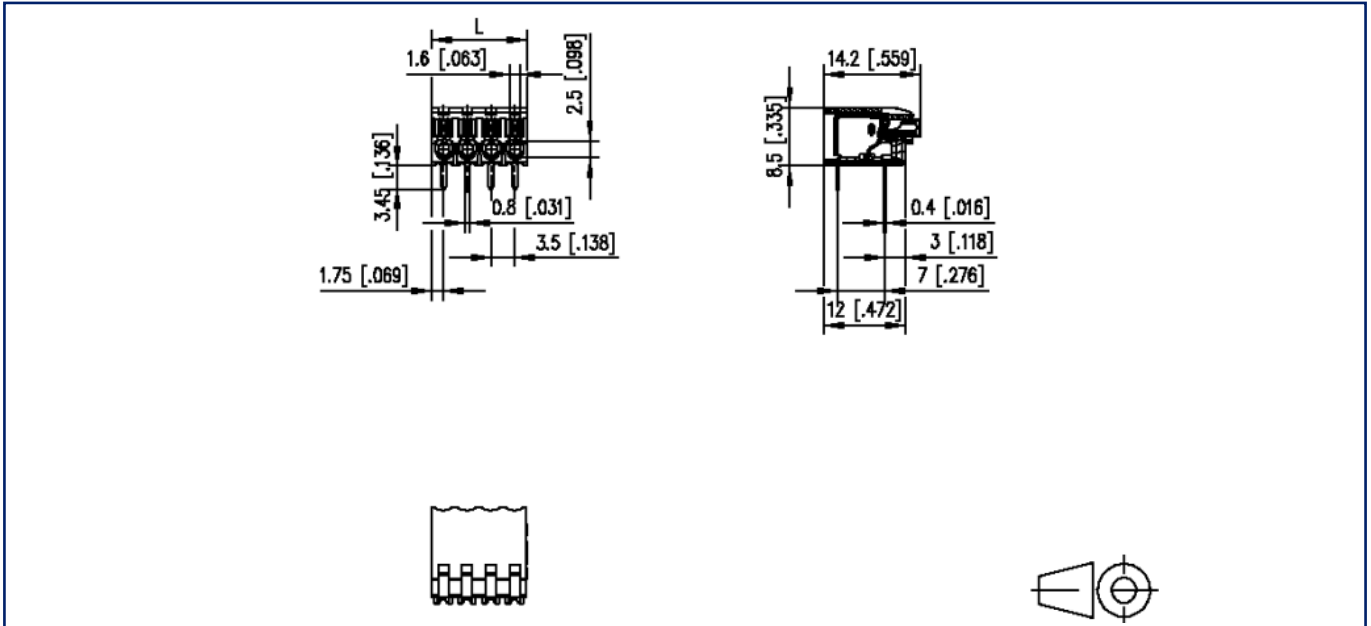
### general

Tolerance	ISO 2768 -mH
Solderability	reflowable



**Illustrations**

Dimensional drawing



$L = (\text{pole size} - 1) \times \text{centerline} + 3.5 \text{ mm } [0.138]$

© 2023 METZ CONNECT - Technische Änderungen vorbehalten! Subject to modifications! Sous réserve de modifications techniques!

## Illustrations

### Drill pattern

