

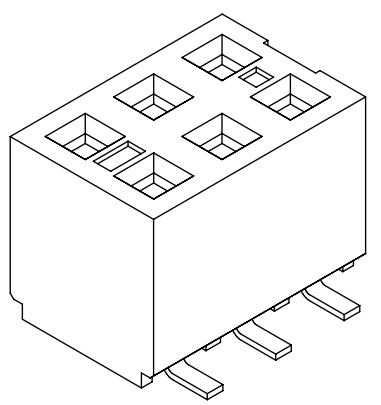
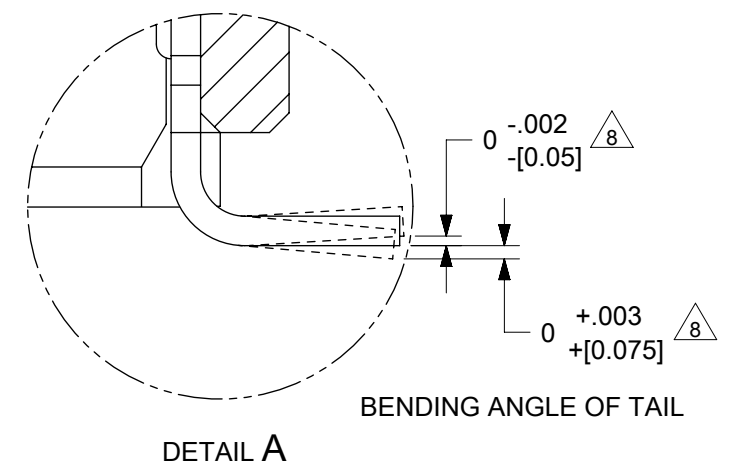
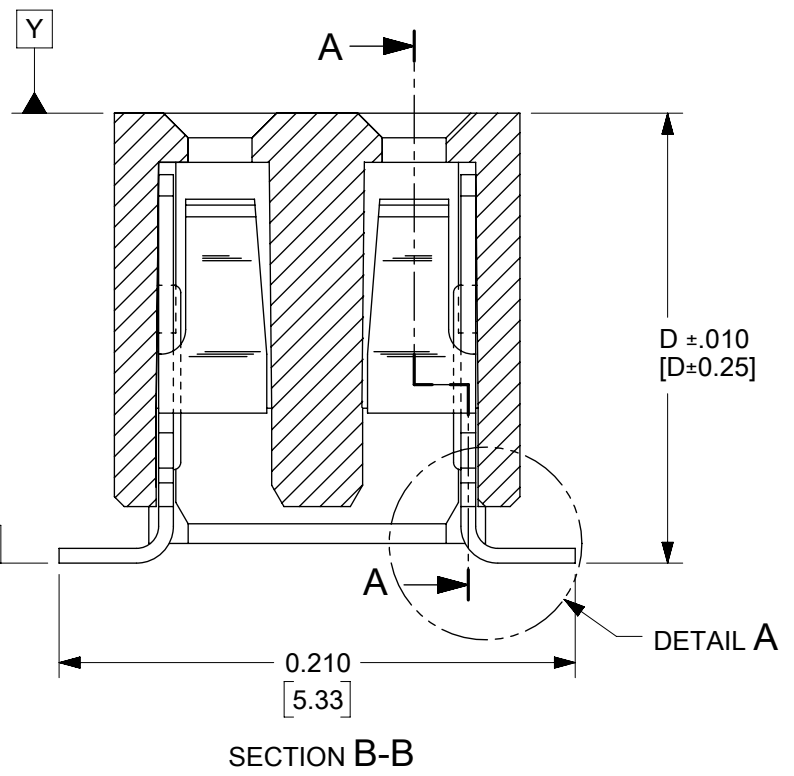
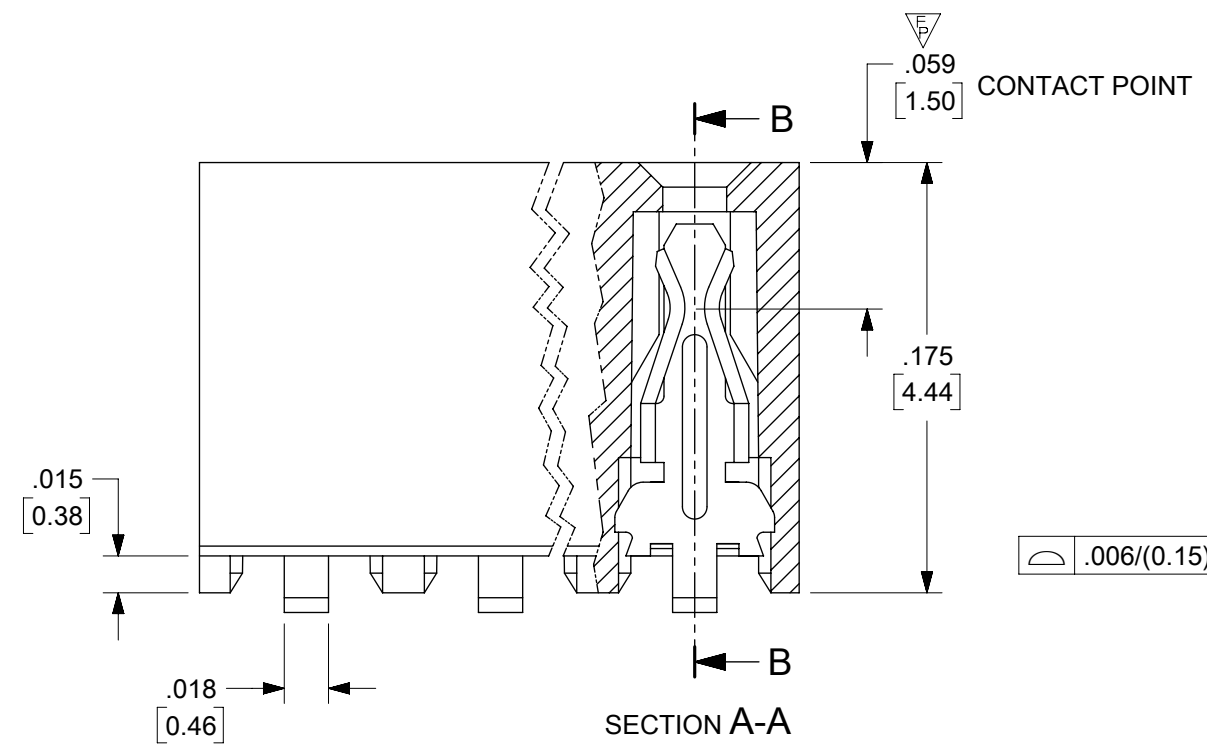
RECOMMENDED PCB PAD LAYOUT

NOTES:

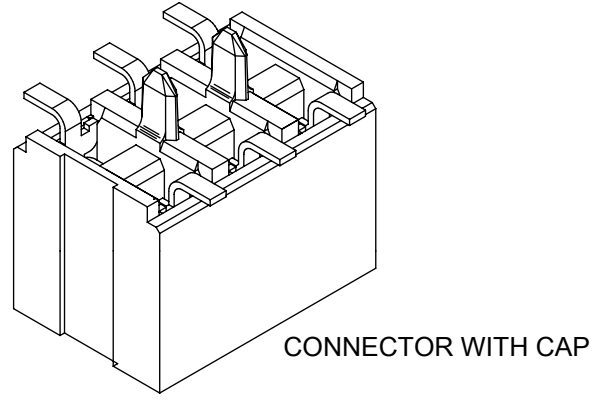
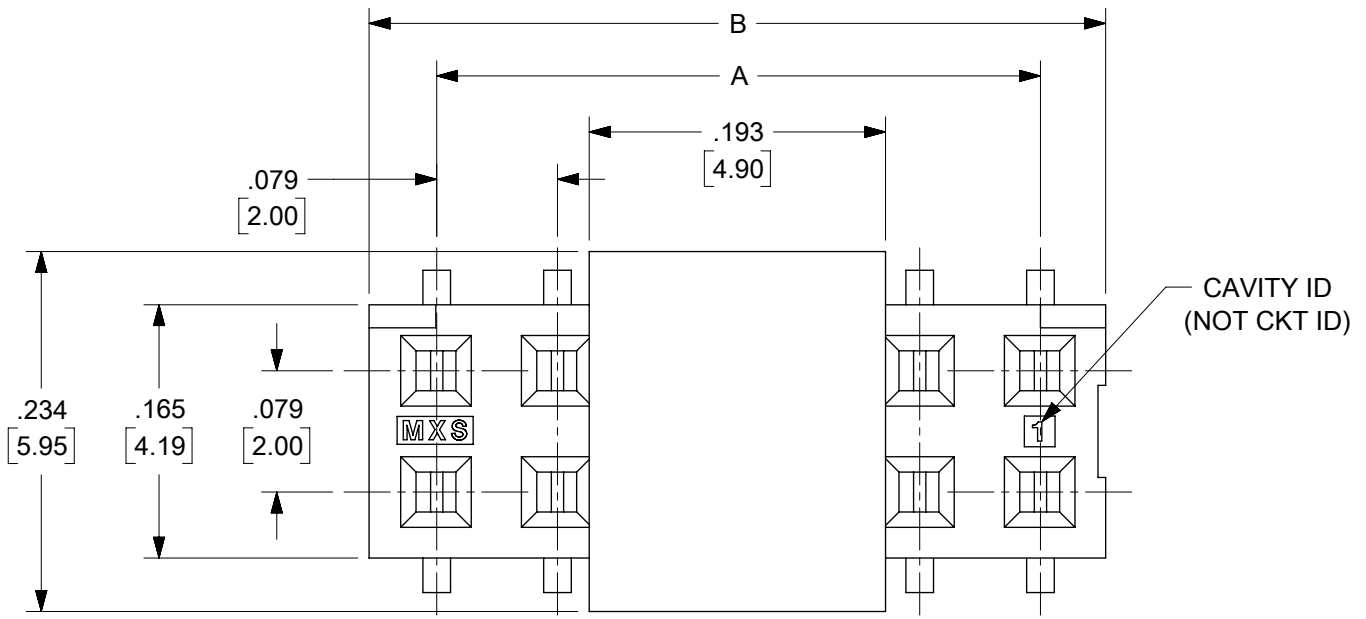
- HOUSING MATERIAL:
LCP, GLASS FILLED, UL 94V-0
COLOUR BLACK.
- TERMINAL MATERIAL:
PHOSPHOR BRONZE
- SEE APPROPRIATE SHEET FOR CIRCUIT SIZE,
PART NUMBERS AND OVERALL DIMENSIONS.
- 6 CKT WITHOUT CAP ASSY IS SHOWN FOR ILLUSTRATION ONLY.
- REFER TO PRODUCT SPEC PS-79107.
- TAPE PACKAGING PER PK-70873-0259
- CKT LOCATIONS ARE NUMBERED FROM LEFT TO
RIGHT WHEN VIEWING ASSY FROM TOP WITH
THE GATE RECESS ON THE RIGHT AS SHOWN.
- MEASUREMENT IS TAKEN BETWEEN THE TANGENT OF
THE TOE TO TIP OF THE TERMINAL.

PLATING OPTION:

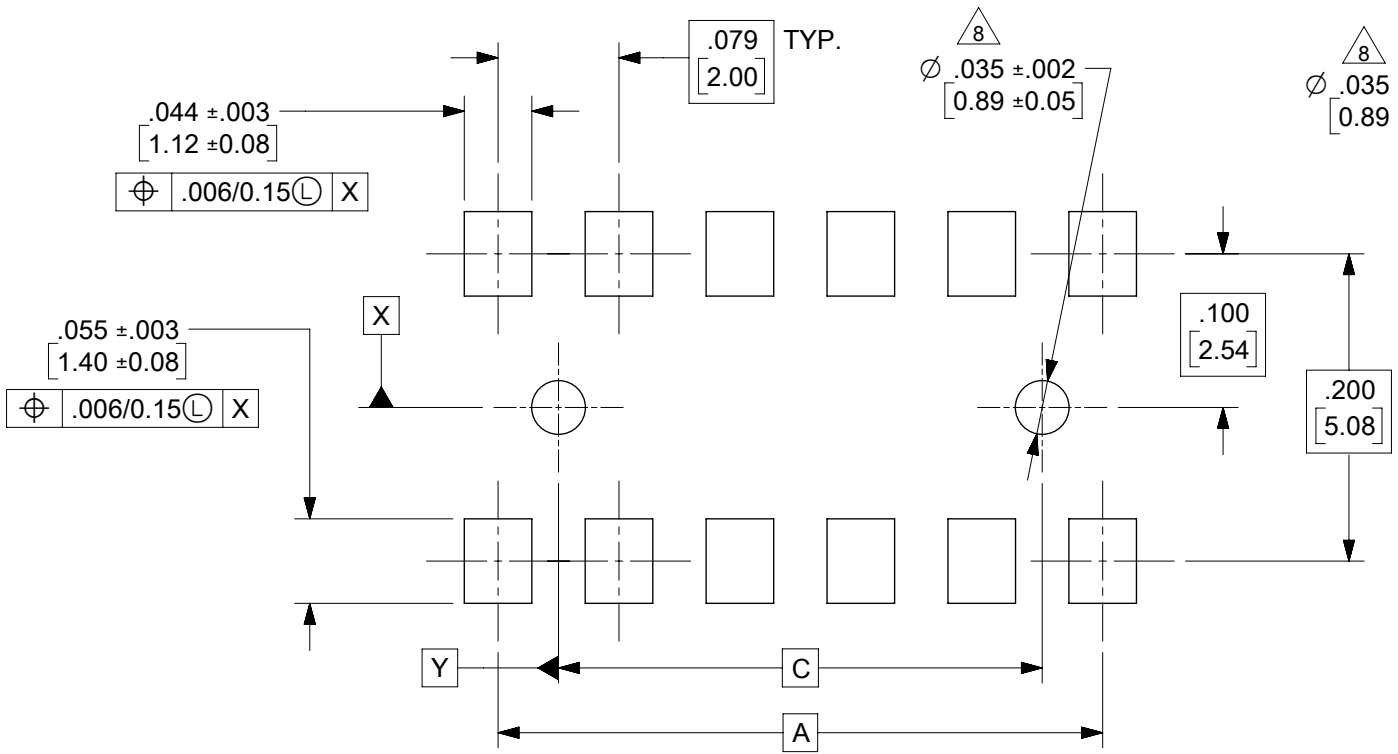
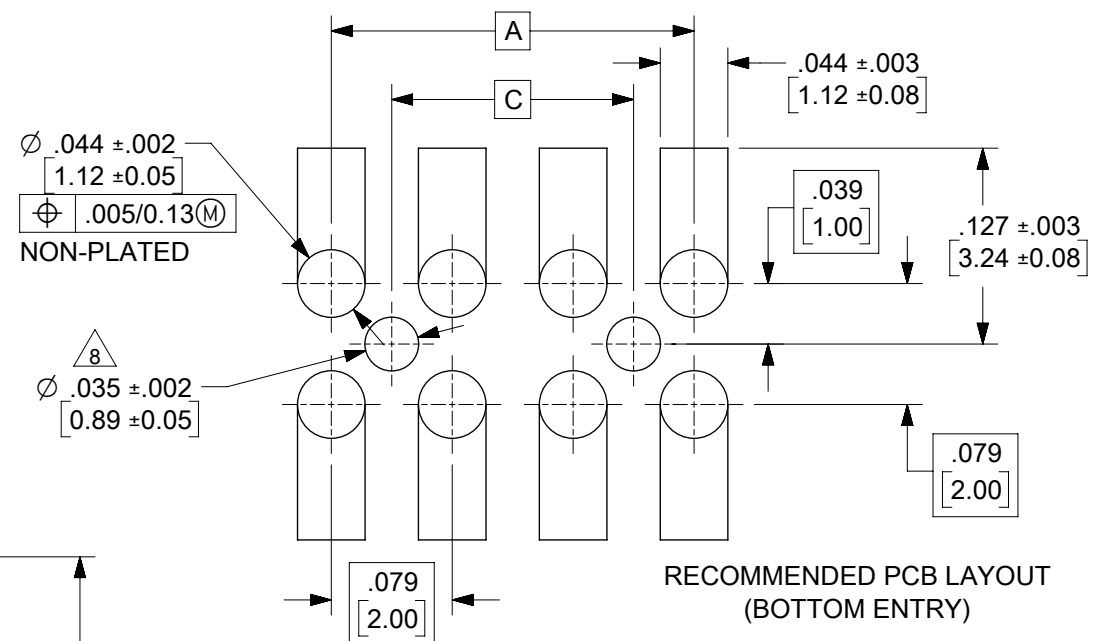
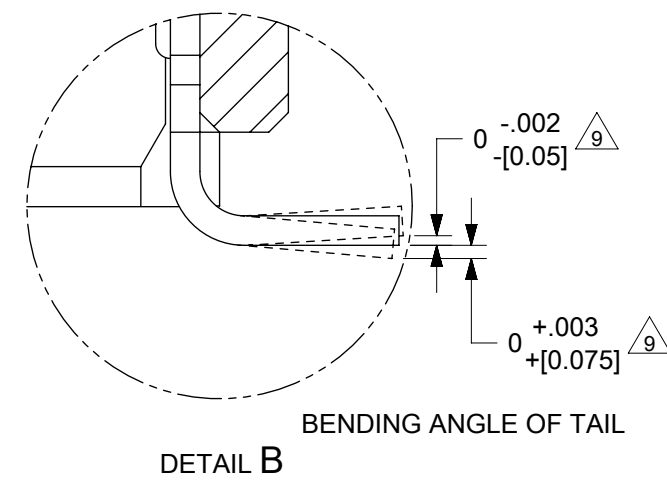
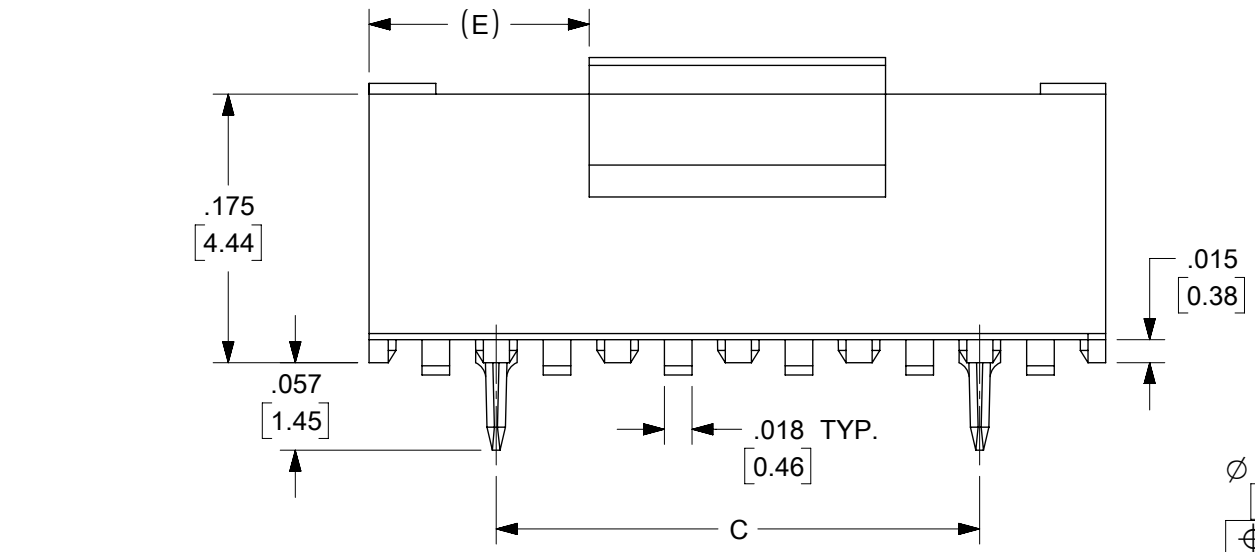
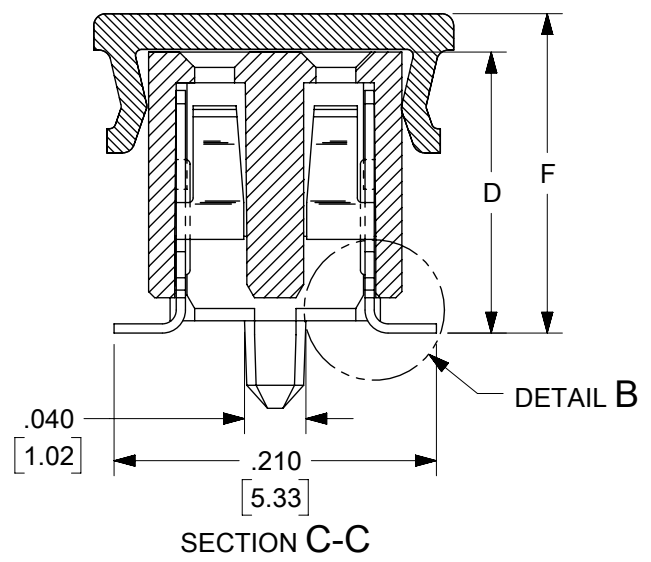
- 30µ" (0.75µm) MIN. GOLD PLATE IN SELECTED AREA AND
75µ" (1.88µm) MIN. TIN PLATE IN SELECTED AREA OVER
50µ" (1.25µm) MIN. NICKEL OVERALL.
- 15µ" (0.38µm) MIN. GOLD PLATE IN SELECTED AREA AND
75µ" (1.88µm) MIN. TIN PLATE IN SELECTED AREA OVER
50µ" (1.25µm) MIN. NICKEL OVERALL.
- 5µ" (0.13µm) MIN. GOLD PLATE IN SELECTED AREA AND
75µ" (1.88µm) MIN. TIN PLATE IN SELECTED AREA OVER
50µ" (1.25µm) MIN. NICKEL OVERALL.



| | | | | | | | |
|---|---|------------|---|---|-----------------|---|------------------------|
| SYMBOLS | THIS DRAWING CONTAINS INFORMATION THAT IS PROPRIETARY TO MOLEX ELECTRONIC TECHNOLOGIES, LLC AND SHOULD NOT BE USED WITHOUT WRITTEN PERMISSION | | CURRENT REV DESC: | | | | |
| | DIMENSION UNITS SCALE GENERAL TOLERANCES (UNLESS SPECIFIED) | mm NTS | EC NO: 716564 DRWN: DANUSA 2022/08/02 CHK'D: DANUSA 2022/08/03 APPR: MRAMAKRISHNA 2022/08/03 | INITIAL REVISION: DRWN: DRWN BY XXXX/XX/XX APPR: APPR BY XXXX/XX/XX | | DOCUMENT NUMBER SD-79109-006 | DOC TYPE PSD |
| 4 PLACES ± 3 PLACES ± 2 PLACES ± 1 PLACE ± 0 PLACES ± ANGULAR TOL ± 3.0° | ± ± 0.01 ± 0.25 ± 0.015 ± 0.38 ± ± | mm INCH | THIRD ANGLE PROJECTION | DRAWING A3-SIZE | SERIES 79109 | MATERIAL NUMBER CUSTOMER GENERAL MARKET | SHEET NUMBER 1 OF 5 |



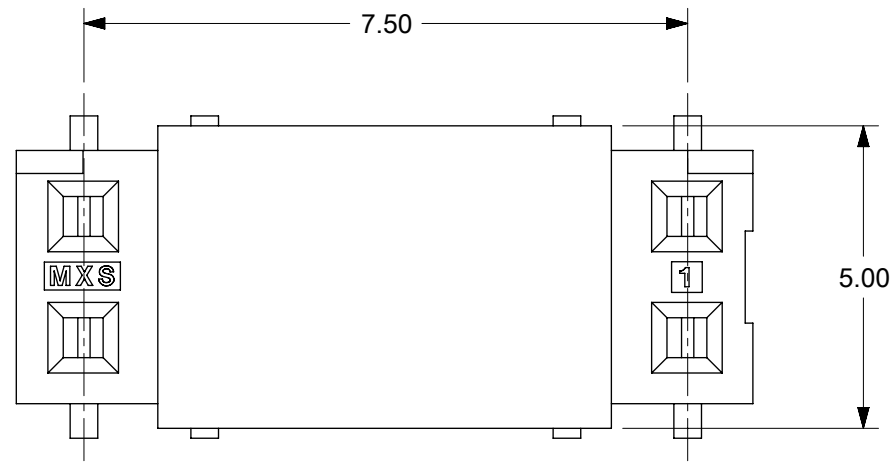
- NOTES:
- HOUSING MATERIAL : GLASS FILLED HIGH TEMP. THERMOPLASTIC. COLOR: BLACK.
 - TERMINAL MATERIAL: PHOSPHOR BRONZE
 - SEE APPROPRIATE SHEET FOR CIRCUIT SIZE, PART NUMBERS AND OVER-ALL DIMENSIONS.
 - FOR ILLUSTRATION, 6 & 12 CIRCUIT ASSEMBLY SHOWN.
 - REFER TO PRODUCT SPECIFICATION PS-79107.
 - TAPE PACKAGING PER PK-70873-0259.
 - SEE PSX-79107 FOR SUGGESTED BOTTOM ENTRY PIN LENGTHS.
 - .035 DIA. FOR PRESS FIT ONLY. USE .039±0.002 FOR ALIGNMENT PURPOSES ON PICK AND PLACE.
- △ MEASUREMENT IS TAKEN BETWEEN THE TANGENT OF THE TOE TO TIP OF THE TERMINAL.



| | | | | | |
|-----------------|---|-----|-------------------------------|----------------|---------------------------------------|
| SYMBOLS | THIS DRAWING CONTAINS INFORMATION THAT IS PROPRIETARY TO MOLEX ELECTRONIC TECHNOLOGIES, LLC AND SHOULD NOT BE USED WITHOUT WRITTEN PERMISSION | | CURRENT REV DESC: | | molex |
| | mm | NTS | | | |
| ▽ = 0 | GENERAL TOLERANCES (UNLESS SPECIFIED) | | EC NO: 716564 | | 2MM DUAL ROW VERTICAL RECEPTACLE, SMT |
| ▽ = 0 | | | DRWN: DANUSA 2022/08/02 | | |
| ▽ = 0 | | | CHK'D: DANUSA 2022/08/03 | | PRODUCT CUSTOMER DRAWING |
| ▽ = 0 | | | APPR: MRAMAKRISHNA 2022/08/03 | | |
| ▽ = 0 | | | INITIAL REVISION: | | DOCUMENT NUMBER |
| ▽ = 0 | | | DRWN: DRWN BY XXXX/XX/XX | | |
| ▽ = 0 | | | APPR: APPR BY XXXX/XX/XX | | DOC TYPE |
| ▽ = 0 | | | ANGULAR TOL ± 3.0° | | |
| ▽ = 0 | DRAFT WHERE APPLICABLE MUST REMAIN WITHIN DIMENSIONS | | THIRD ANGLE PROJECTION | DRAWING | DOC PART |
| ▽ = 0 | | | A3-SIZE | SERIES | |
| | | | MATERIAL NUMBER | CUSTOMER | REVISION |
| | | | 79109 | GENERAL MARKET | |
| DOCUMENT STATUS | | | DATE | | 3 OF 5 |
| P1 | | | 2022/08/03 09:02:57 | | |

PARTS WITH PEG

| CKT. SIZE | DIM A | | DIM B | | DIM C | | DIM D | | DIM E | | DIM F | | ITEM No. | ASSEMBLY P/N WITH KAPTON TAPE | PLATING OPTION SEE SHEET 1 |
|-----------|-------|---------|-------|---------|-------|---------|-------|--------|-------|---------|-------|--------|------------|-------------------------------|----------------------------|
| | INCH | MM | INCH | MM | INCH | MM | INCH | MM | INCH | MM | INCH | MM | | | |
| A11 6 | .157 | (4.00) | .164 | (4.19) | .078 | (2.00) | | (4.65) | -- | -- | .207 | (5.25) | 79109-8625 | - | 2 |
| 8 | .236 | (6.00) | .322 | (8.19) | .157 | (4.00) | .183 | (4.65) | .065 | (1.65) | | | 79109-9108 | - | 1 |
| 10 | .315 | (8.00) | .401 | (10.19) | .236 | (6.00) | .183 | (4.65) | .104 | (2.65) | | | 79109-9110 | - | 2 |
| 18 | .630 | (16.00) | .716 | (18.19) | .551 | (14.00) | .183 | (4.65) | .262 | (6.65) | | | 79109-9118 | 79109-9318 | 1 |
| 26 | .945 | (24.00) | 1.03 | (26.19) | .866 | (22.00) | .183 | (4.65) | .419 | (10.64) | | | 79109-9126 | - | 2 |



12CKT WITH KAPTON TAPE ILLUSTRATION

| | | | | | | | |
|---|---|--|--|------------------|---------------------------------------|---------------------------------|--------------------------|
| SYMBOLS DIMENSION UNITS: mm, NTS SCALE: NTS GENERAL TOLERANCES (UNLESS SPECIFIED): 4 PLACES ± 0.01 3 PLACES ± 0.01 2 PLACES ± 0.25 ± 0.015 1 PLACE ± 0.38 0 PLACES ± 0.01 ANGULAR TOL ± 3.0° DRAFT WHERE APPLICABLE MUST REMAIN WITHIN DIMENSIONS THIRD ANGLE PROJECTION DRAWING: A3-SIZE SERIES: 79109 | THIS DRAWING CONTAINS INFORMATION THAT IS PROPRIETARY TO MOLEX ELECTRONIC TECHNOLOGIES, LLC AND SHOULD NOT BE USED WITHOUT WRITTEN PERMISSION | | CURRENT REV DESC: EC NO: 716564 DRWN: DANUSA 2022/08/02 CHK'D: DANUSA 2022/08/03 APPR: MRAMAKRISHNA 2022/08/03 | | | | |
| | PRODUCT CUSTOMER DRAWING | | | | 2MM DUAL ROW VERTICAL RECEPTACLE, SMT | | |
| | DOCUMENT NUMBER: SD-79109-006 | | DOC TYPE: PSD | DOC PART: 001 | REVISION: A11 | MATERIAL NUMBER: GENERAL MARKET | |
| | DRAFT WHERE APPLICABLE MUST REMAIN WITHIN DIMENSIONS | | THIRD ANGLE PROJECTION | DRAWING: A3-SIZE | SERIES: 79109 | MATERIAL NUMBER: | CUSTOMER: GENERAL MARKET |

BOARD TO BOARD (BTB) DISTANCE

| RECEPTACLE | MATES WITH(HEADER) | BTB DISTANCE | PICTORIAL VIEW |
|------------|--------------------|--------------|----------------|
| 79109 | 87831 | 7.15 | |
| | 87832 | 8.35 | |
| | 151117 | 7.15 | |
| | 151118 | 8.35 | |

| | | | | |
|---------|---|--------|------------------------|--|
| SYMBOLS | THIS DRAWING CONTAINS INFORMATION THAT IS PROPRIETARY TO MOLEX ELECTRONIC TECHNOLOGIES, LLC AND SHOULD NOT BE USED WITHOUT WRITTEN PERMISSION | | | |
| | DIMENSION UNITS | | SCALE | |
| | mm | | NTS | |
| | GENERAL TOLERANCES (UNLESS SPECIFIED) | | | |
| ▽ = 0 | 4 PLACES | ± | ± | CURRENT REV DESC: EC NO: 716564 DRWN: DANUSA 2022/08/02 CHK'D: DANUSA 2022/08/03 APPR: MRAMAKRISHNA 2022/08/03 |
| ▽ = 0 | 3 PLACES | ± | ± 0.01 | |
| ▽ = 0 | 2 PLACES | ± 0.25 | ± 0.015 | |
| ▽ = 0 | 1 PLACE | ± 0.38 | ± | |
| ⊠ = 0 | 0 PLACES | ± | ± | INITIAL REVISION: |
| ■ = 0 | ANGULAR TOL | | ± 3.0° | DRWN: DRWN BY XXXX/XX/XX APPR: APPR BY XXXX/XX/XX |
| ▽ = 0 | DRAFT WHERE APPLICABLE MUST REMAIN WITHIN DIMENSIONS | | THIRD ANGLE PROJECTION | DRAWING |
| | | | | SERIES |
| | | | | MATERIAL NUMBER |
| | | | | CUSTOMER |
| | | | | SHEET NUMBER |

2MM DUAL ROW
VERTICAL RECEPTACLE, SMT

PRODUCT CUSTOMER DRAWING

| | | | |
|-----------------|----------|----------|----------|
| DOCUMENT NUMBER | DOC TYPE | DOC PART | REVISION |
| SD-79109-006 | PSD | 001 | A11 |

GENERAL MARKET