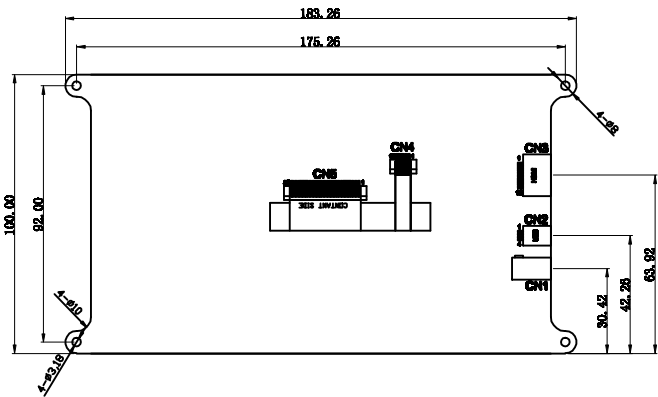
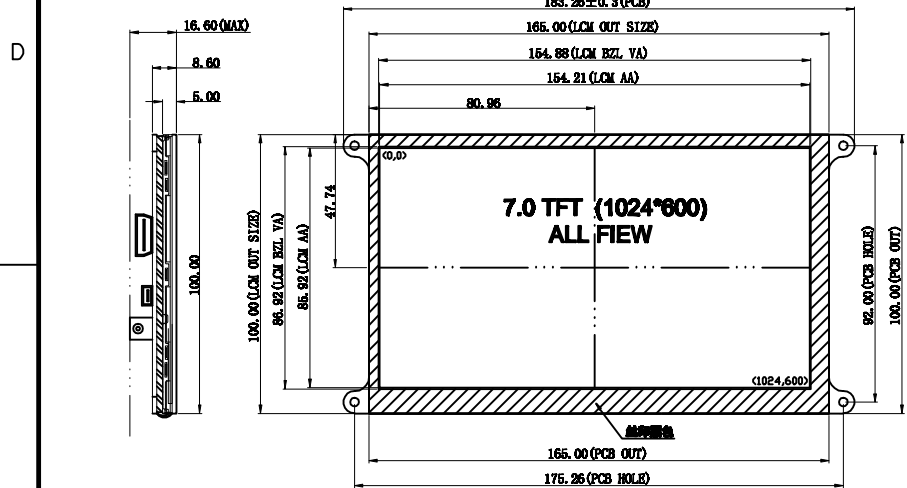


8	7	6	5	4	3	2	1	
REV: A0						DESCRIPTION: First Design	BY: JSW	DATE: 2017-10-09



CN1 (POWER)

1	+5V
2	GND

CN2 (CTP-USB)

1	GND
2	USB-D+
3	USB-D-
4	+5V

CN3 (HDMI)

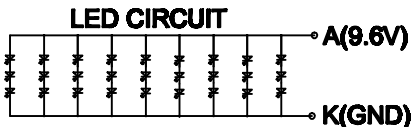
1	RX-D2+
2	GND
3	RX-D2-
4	RX-D1+
5	GND
6	RX-D1-
7	RX-D0+
8	GND
9	RX-D0-
10	RX-DCLK+
11	GND
12	RX-DCLK-
13	CEC
14	NC
15	SCL
16	SDA
17	GND
18	+5V
19	HOT-DET

CN4 (CTP-IN)

1	NC
2	NC
3	RST
4	GND
5	INT
6	SDA
7	SCL
8	GND
9	GND
10	VDD

CN5 (LCD)

NO.	1	2	3	4	5	6	7	8	9	10	11	12	13	14
NAME	VLED+	VLED+	VLED-	VLED-	GND	VCOM	DVDD	MODE	DE	VS	HS	B7	B6	B5
NO.	15	16	17	18	19	20	21	22	23	24	25	26	27	28
NAME	B4	B3	B2	B1	B0	G7	G6	G5	G4	G3	G2	G1	G0	R7
NO.	29	30	31	32	33	34	35	36	37	38	39	40	41	42
NAME	R6	R5	R4	R3	R2	R1	R0	GND	DCLK	GND	L/R	U/D	VGH	VGL
NO.	43	44	45	46	47	48	49	50						
NAME	AVDD	RESET	NC	VCOM	DITHB	GND	NC	NC						



TFT NOTES:

1. DISPLAY TYPE: 7.0 TFT
2. VIEWING DIRECTION: ALL VIEW
3. DISPLAY MODE: IPS
4. BACK LIGHT: 27 CHIP-WHITE LED(VBL=9.6V); LV 500cd/m2
5. OPERATING TEMP.: -20°C~70°C
6. STORAGE TEMP.: -30°C~80°C
7. UNMARKED TOLERANCE:±0.2

- CTP Technical data:
1. Structure: Lens + ITO Glass + FPC+Adhesive.
 2. IC: FT5446,5-point touch,G+G
 3. Operating: 2.8V~3.3V
 4. Transmittance: ≥85%
 5. Surface Hardness: ≥6H
 6. Operating Temp: -20°C~+70°C, ≤90%RH
 7. Storage Temp: -30°C~+80°C, ≤90%RH
 8. Unspecified Tolerance: ±0.2mm.

UNLESS OTHERWISE NOTED:		DRAWING TYPE: CD	REV: A0
UNITS	DECIMAL	FEMA ELECTRONICS	
	OVER INCLUDING		
MM	0 TO 6 ±0.1 6 TO 30 ±0.2 30 TO 100 ±0.3	Part No.: GM1024600S-70-TIX2-HTGG-HDMI	
ANGLES	PLATED THRU HOLES +0.08 -0.03 NON-PLATED THRU HOLES +0.08 -0.03	THIRD ANGLE PROJECTION	
±0.5°		SCALE 1 : 1	SHEET: 1 OF 1

A

A

4

3

2

1