

TYPES SN54H183, SN54LS183, SN74H183, SN74LS183 DUAL CARRY-SAVE FULL ADDERS

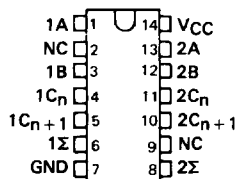
BULLETIN NO. DL-S 7711848, OCTOBER 1976—REVISED OCTOBER 1983

- For Use in High-Speed Wallace-Tree Summing Networks
- High-Speed, High-Fan-Out Darlington Outputs
- Input Clamping Diodes Simplify System Design

TYPES	TYPICAL AVERAGE PROPAGATION DELAY TIME	TYPICAL POWER DISSIPATION
'H183	11 ns	110 mW per bit
'LS183	15 ns	23 mW per bit

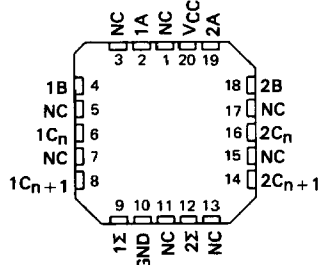
SN54H183, SN54LS183 ... J OR W PACKAGE
SN74H183 ... J OR N PACKAGE
SN74LS183 ... D, J OR N PACKAGE

(TOP VIEW)



SN54LS183 ... FK PACKAGE
SN74LS183 ... FN PACKAGE

(TOP VIEW)



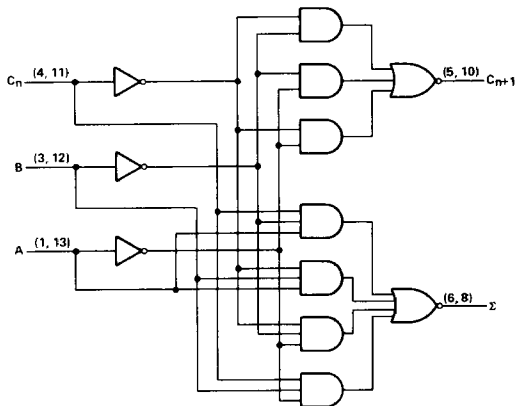
NC - No internal connection

FUNCTION TABLE
(EACH ADDER)

INPUTS			OUTPUTS	
C_n	B	A	Σ	C_{n+1}
L	L	L	L	L
L	L	H	H	L
L	H	L	H	L
L	H	H	L	H
H	L	L	H	L
H	L	H	L	H
H	H	L	L	H
H	H	H	H	H

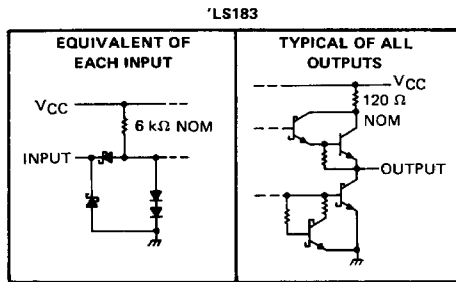
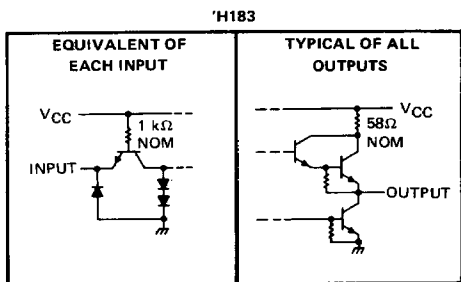
H = high level, L = low level

logic diagram (each adder)



Pin numbers shown on logic notation are for D, J or N packages.

schematics of inputs and outputs



PRODUCTION DATA
This document contains information current as of publication date. Products conform to specifications per the terms of Texas Instruments standard warranty. Production processing does not necessarily include testing of all parameters.

TEXAS INSTRUMENTS
POST OFFICE BOX 225012 • DALLAS, TEXAS 75265

3-727

3

TTL DEVICES

TYPES SN54LS183, SN74LS183 DUAL CARRY-SAVE FULL ADDERS

absolute maximum ratings over operating free-air temperature range (unless otherwise noted)

Supply voltage V_{CC} (see Note 1)	7 V
Input voltage	7 V
Operating free-air temperature range: SN54LS183 Circuits	-55°C to 125°C
SN74LS183 Circuits	0°C to 70°C
Storage temperature range	-65°C to 150°C

NOTE 1: Voltage values, except interemitter voltage, are with respect to network ground terminal.

recommended operating conditions

	SN54LS183			SN74LS183			UNIT
	MIN	NOM	MAX	MIN	NOM	MAX	
Supply voltage, V_{CC}	4.5	5	5.5	4.75	5	5.25	V
High-level output current, I_{OH}			-400			-400	μ A
Low-level output current, I_{OL}			4			8	mA
Operating free-air temperature, T_A	-55		125	0		70	°C

electrical characteristics over recommended operation free-air temperature range (unless otherwise noted)

PARAMETER	TEST CONDITIONS [†]	MIN	TYP [‡]	MAX	MIN	TYP [‡]	MAX	UNIT
V_{IH} High-level input voltage		2			2			V
V_{IL} Low-level input voltage				0.7			0.8	V
V_{IK} Input clamp voltage	$V_{CC} = \text{MIN}$, $I_I = -18 \text{ mA}$			-1.5			-1.5	V
V_{OH} High-level output voltage	$V_{CC} = \text{MIN}$, $V_{IH} = 2 \text{ V}$, $V_{IL} = V_{IL \text{ max}}$, $I_{OH} = -400 \mu\text{A}$	2.5	3.4		2.7	3.4		V
V_{OL} Low-level output voltage	$V_{CC} = \text{MIN}$, $V_{IH} = 2 \text{ V}$, $V_{IL} = V_{IL \text{ max}}$, $I_{OL} = 4 \text{ mA}$		0.25	0.4		0.25	0.4	V
	$I_{OL} = 8 \text{ mA}$					0.35	0.5	
I_I Input current at maximum input voltage	$V_{CC} = \text{MAX}$, $V_I = 7 \text{ V}$			0.3			0.3	mA
I_{IH} High-level input current	$V_{CC} = \text{MAX}$, $V_I = 2.7 \text{ V}$			60			60	μ A
I_{IL} Low-level input current	$V_{CC} = \text{MAX}$, $V_I = 0.4 \text{ V}$			-1.2			-1.2	mA
I_{OS} Short-circuit output current [§]	$V_{CC} = \text{MAX}$	-20		-100	-20		-100	mA
I_{CCL} Supply current, all outputs low	$V_{CC} = \text{MAX}$, See Note 3		10	17		10	17	mA
I_{CCH} Supply current, all outputs high	$V_{CC} = \text{MAX}$, See Note 4		8	14		8	14	mA

[†] For conditions shown as MIN or MAX, use the appropriate value specified under recommended operating conditions for the applicable type.

[‡] All typical values are at $V_{CC} = 5 \text{ V}$, $T_A = 25^\circ \text{C}$.

[§] Not more than one output should be shorted at a time, and duration of the short circuit should not exceed one second.

NOTES: 3. I_{CCL} is measured with all outputs open and all inputs grounded.

4. I_{CCH} is measured with all outputs open and all inputs at 4.5 V.

switching characteristics, $V_{CC} = 5 \text{ V}$, $T_A = 25^\circ \text{C}$

PARAMETER	TEST CONDITIONS	MIN	TYP	MAX	UNIT
t_{PLH} Propagation delay time, low-to-high-level output	$C_L = 15 \text{ pF}$, $R_L = 2 \text{ k}\Omega$,		9	15	ns
t_{PHL} Propagation delay time, high-to-low-level output	See Note 5		20	33	ns

NOTE 5: See General Information Section for load circuits and voltage waveforms.

3

TTL DEVICES