




Description:

10/100 Base-TX RJ45 single port with LEDs and integrated magnetics – Designed for most leading PHY manufacturers with the addition of Power Feeding over the signal pairs according to IEEE 802.3af



Features and Benefits:

-  RoHS- peak wave solder temperature rating 260°C
-  Single port Connector for PoE applications
-  Contains Surge Suppression to protect IC from power spikes

Electrical Specifications @ 25°C — Operating Temperature 0°C to +70°C

RoHS Compliant	Tab Option	LEDs L/R	Insertion Loss TX/RX (dB TYP)	Return Loss (dB TYP) 100Ω (±15Ω)			Crosstalk (dB TYP)			Common Mode Rejection (dB TYP)		Hipot (Vrms MIN)
				1-100 MHz	1-10 MHz	30 MHz	60-90 MHz	1-10 MHz	30-60 MHz	60-100 MHz	1-50 MHz	
JK0-0020NL	UP	Y-G/G	-1.0	-20	-16	-12	-40	-35	-30	-26	-20	1500
JK0-0025NL	UP	Y-G/G	-1.0	-20	-16	-12	-40	-35	-30	-26	-20	1500
JK0-0026NL	UP	Y-G/G	-1.0	-20	-16	-12	-40	-35	-30	-26	-20	1500
JK0-0044NL	UP	—	-1.0	-20	-16	-12	-40	-35	-30	-26	-20	1500

NOTES:

- Both transmit and receive channels meet **IEEE 802.3i/u** (10/100 Base-T) and **IEEE 802.3af** (10/100 Base-T PoE) specifications.
- LEDs Left/Right: **Y-G** = Bicolor: yellow/green; **G** = green.

RJ45 Durability Testing Rating

Part Number	Mating Force (MAX)	Unmating Force (MAX)	Durability	Plug to Jack Retention (MIN)
JK0 Series	5lbs./2.268kgs.	5lbs./2.268kgs.	500 Insertions	20lbs./9.072kgs.

RJ45 Material Specification

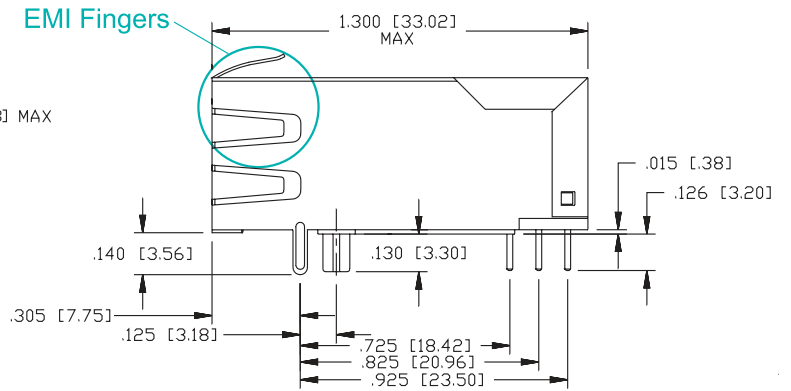
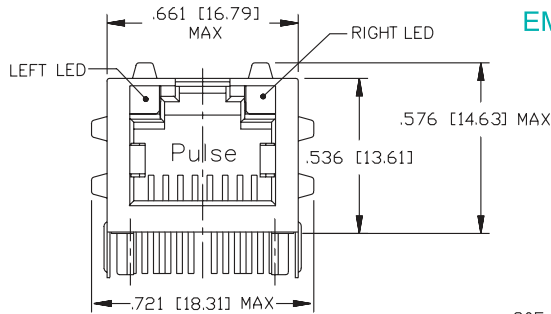
Part Number	Shield		Contact			Housing		MSL ³ Rating
	Material	Finish	Material	Plating Area	Solder Area ²	Material	Specification	
JK0 Series	Brass	20-40μ inches thick nickel over brass	Phosphor Bronze	15μ inches gold over 30-80μ inches nickel	Tin matte finish	Thermoplastic	UL 94 V-0	1

NOTES:

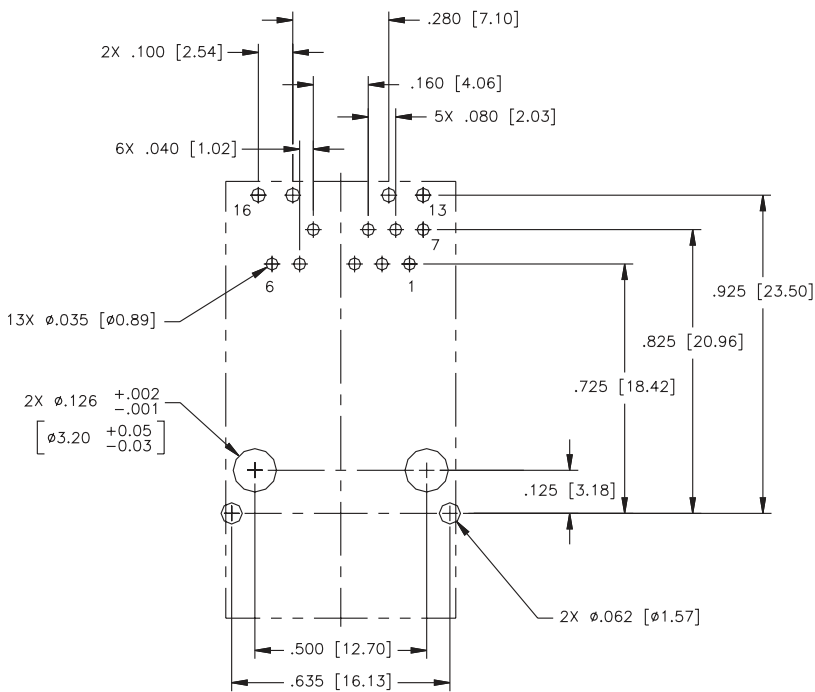
- Connector dimensions comply with FCC dimension requirements.
- NL parts are tin matte finish over nickel.
- MSL - Moisture Sensitivity Level class limits = 1 to 5 (Highest: 1; Lowest: 5).

Mechanical

JK0-00XXNL



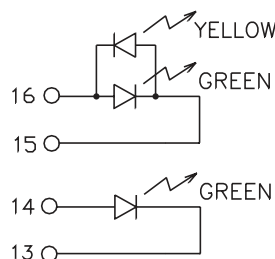
JK0-0020NL/0025NL/0026NL



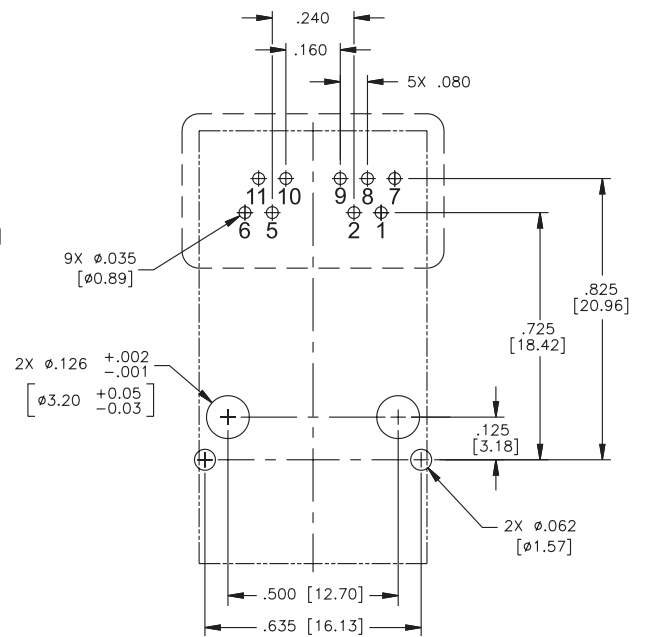
FRONT OF CONNECTOR

SUGGESTED PCB LAYOUT
COMPONENT SIDE SHOWN
DIMENSIONAL TOLERANCE:
.XXX ±.003 [X.XX ±0.08]

LED Pins



JK0-0044NL

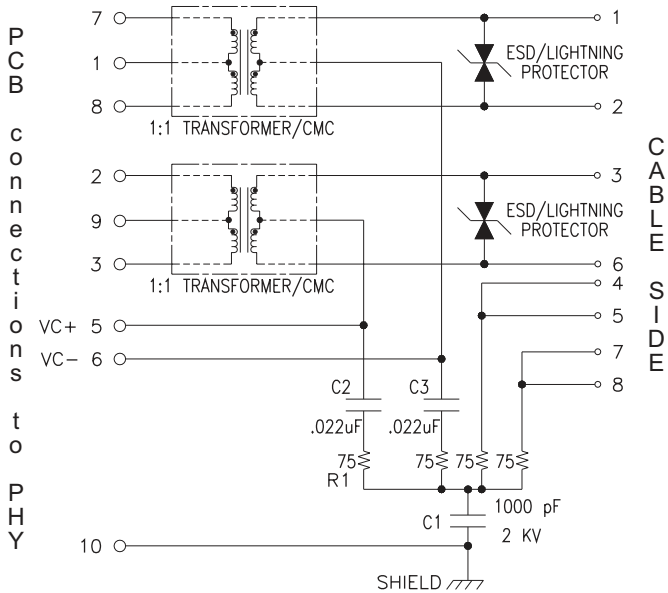


FRONT OF CONNECTOR

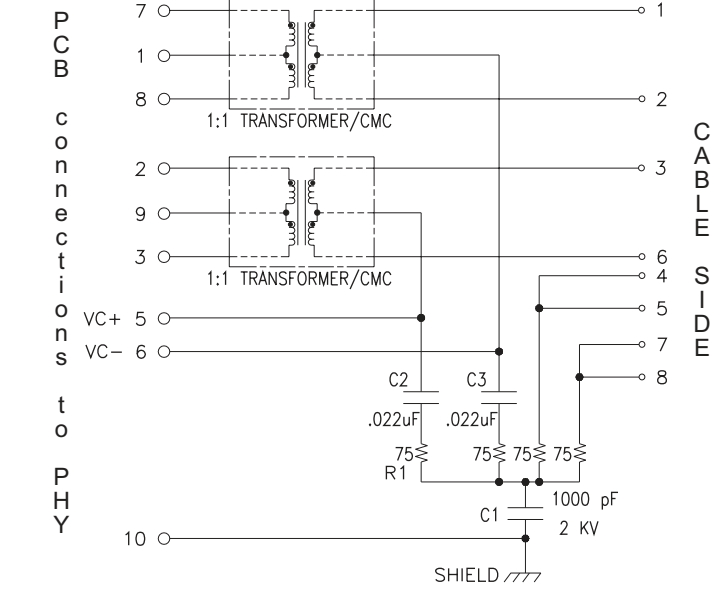
SUGGESTED PCB LAYOUT
COMPONENT SIDE SHOWN
DIMENSIONAL TOLERANCE:
.XXX ±.003 [X.XX ±0.08]

Schematics

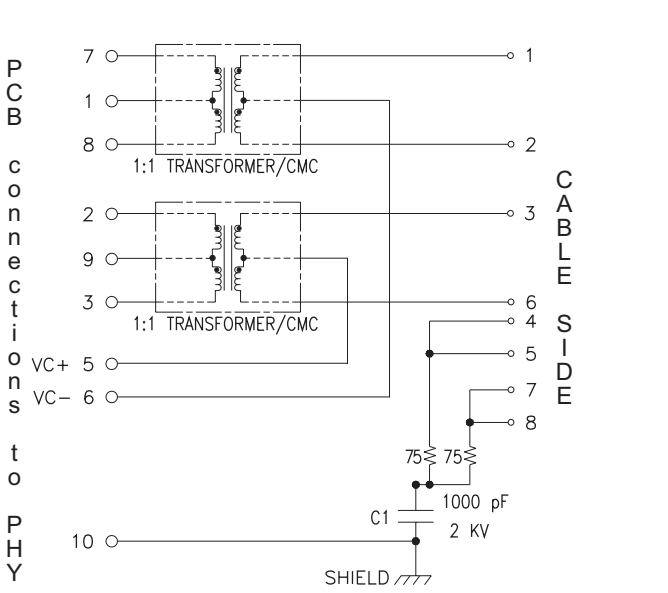
JK0-0020NL



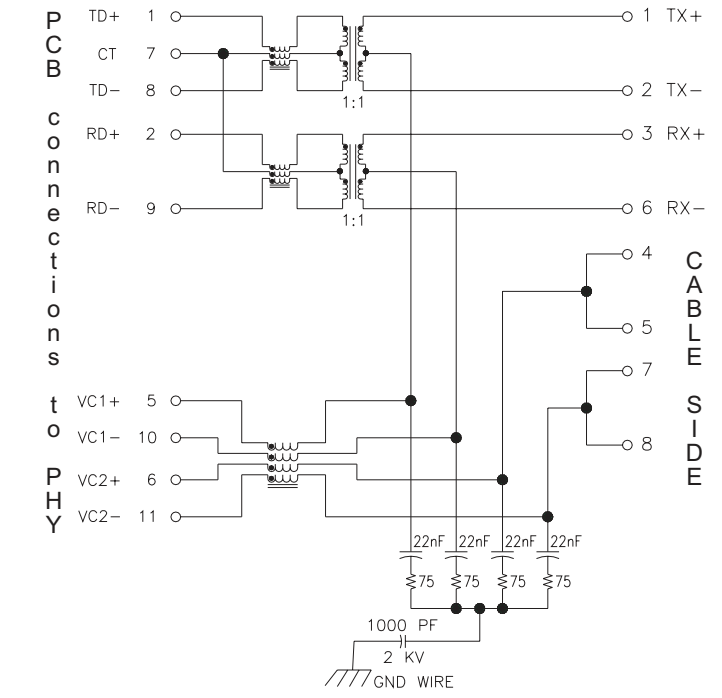
JK0-0025NL



JK0-0026NL



JK0-0044NL



For More Information:

Pulse Worldwide Headquarters

Two Pearl Buck Court
Bristol, PA 19007
U.S.A.

www.pulseeng.com

Tel: 215 781 6400

Fax: 215 781 6403

Pulse Europe

Einsteinstrasse 1
D-71083 Herrenberg
Germany

Tel: 49 7032 7806 0

Fax: 49 7032 7806 135

Pulse China Headquarters

B402, Shenzhen Academy of
Aerospace Technology Bldg.
10th Kejian Rd.
High-Tech Zone
Nanshan District
Shenzen, PR China 518057

Tel: 86 755 33966678

Fax: 86 755 33966700

Pulse North China

Room 2704/2705
Super Ocean Finance Ctr.
2067 Yan An Rd. West
Shanghai 200336
China

Tel: 86 21 62787060

Fax: 86 2162786973

Pulse South Asia

135 Joo Seng Rd.
#03-02
PM Industrial Bldg.
Singapore 368363

Tel: 65 6287 8998

Fax: 65 6280 0080

Pulse North Asia

No. 26, Kao Ching Rd.
Yang Mei Chen
Taoyuan Hsien
Taiwan
R. O. C.

Tel: 886 3 4643715

Fax: 886 3 4641911

Performance warranty of products offered on this data sheet is limited to the parameters specified. Data is subject to change without notice. Other brand and product names mentioned herein may be trademarks or registered trademarks of their respective owners. © Copyright, 2009. Pulse Engineering, Inc. All rights reserved.