

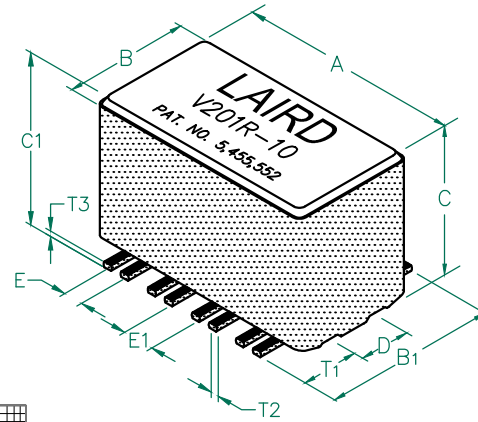
CM6032V201R-10 **UNCONTROLLED DOCUMENT**

PHYSICAL DIMENSIONS:

A	15.24	[.600]	± 0.23	[.009]
B	8.13	[.320]	± 0.13	[.005]
B ₁	10.92	[.430]	MAX	
C	9.45	[.372]	± 0.15	[.006]
C ₁	10.08	[.397]	MAX	
D	4.06	[.160]	± 0.05	[.002]
E	1.27	[.050]	± 0.13	[.005]
E ₁	2.03	[.080]	± 0.13	[.005]

WIRE DIMENSIONS:

T ₁	3.30	[.130]	± 0.38	[.015]
T ₂	0.64	[.025]	TYP	
T ₃	0.38	[.015]	TYP	



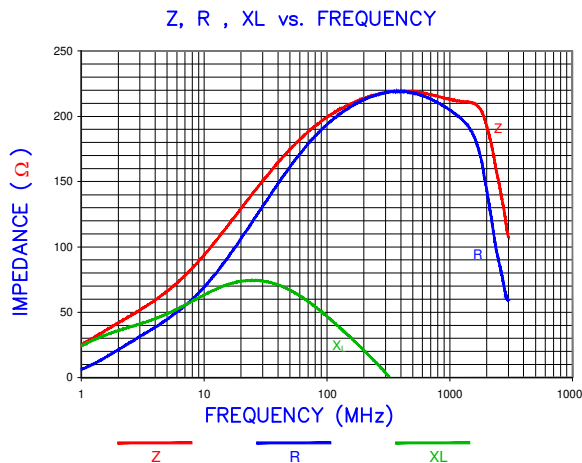
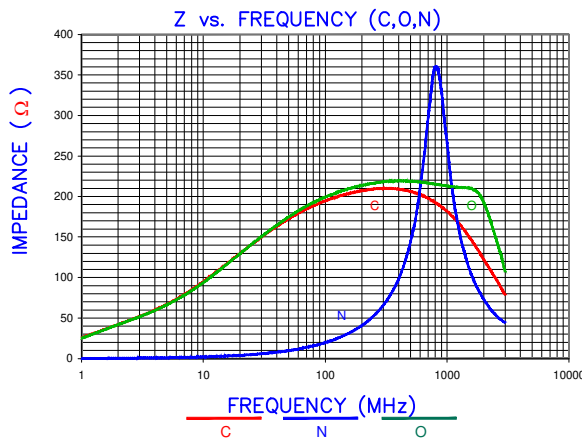
RoHS

ELECTRICAL CHARACTERISTICS:

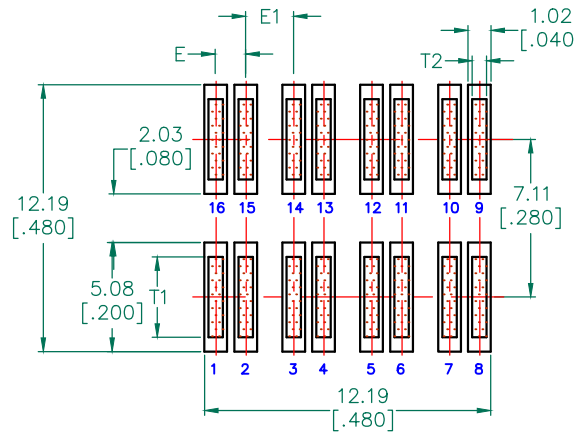
	Z @ 100MHz (Ω)	DCR (Ω)	Rated Current
Nominal	200		
Minimum	150		
Maximum	250	0.01	8,000 mA

NOTES: UNLESS OTHERWISE SPECIFIED

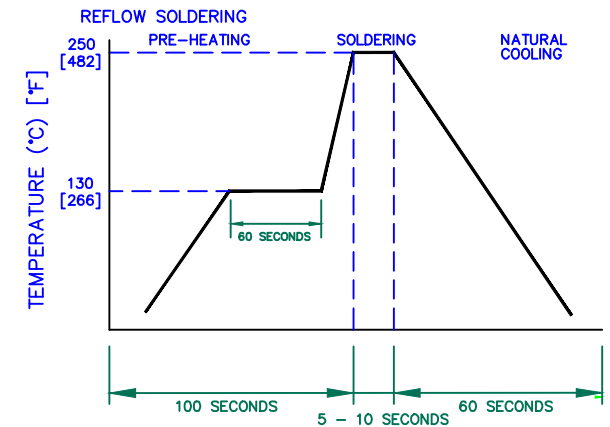
1. TAPED AND REELED per CURRENT EIA SPECIFICATIONS 13" REELS, 250 PCS/REEL.
2. COMPONENTS SHOULD BE ADEQUATELY PREHEATED BEFORE SOLDERING.
3. REF. CARRIER TAPE SPECIFICATION # CART6032-23.
4. TERMINATION FINISH IS 100% TIN.
5. THIS PART HAS NO PIN POLARITY.
6. OPERATION TEMPERATURE (INCLUDING SELF-HEATING): -40 ~ +125°C.



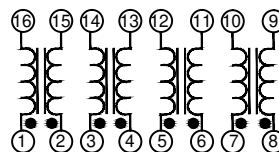
LAND PATTERNS FOR REFLOW SOLDERING



RECOMMENDED SOLDERING CONDITIONS



EQUIVALENT CIRCUIT NO POLARITY



DIMENSIONS ARE IN mm [INCHES]				This print is the property of Laird Tech. and is loaned in confidence subject to return upon request and with the understanding that no copies shall be made without the written consent of Laird Tech. All rights to design or invention are reserved.		
E	UPDATE LOGO AND NOTE 6	08/30/12	QIU			
D	UPDATE COMPANY LOGO & KAPTON LABEL ADD EQUIVALENT CIRCUIT	11/12/08	JRK			
C	UPDATE COMPANY LOGO	01/08/08	JRK			
B	CORRECT REV BLOCK mm [INCHES]	10/20/06	JRK			
A	ORIGINAL DRAFT	06/11/04	JRK			
REV	DESCRIPTION	DATE		PROJECT/PART NUMBER: CM6032V201R-10	REV E	DRAWN BY: JRK
		DATE: 06/11/04	SCALE: NTS	SHEET: 1 of 2		
		CAD # CM6032V201R-10-E-1	TOOL # H0600-200			