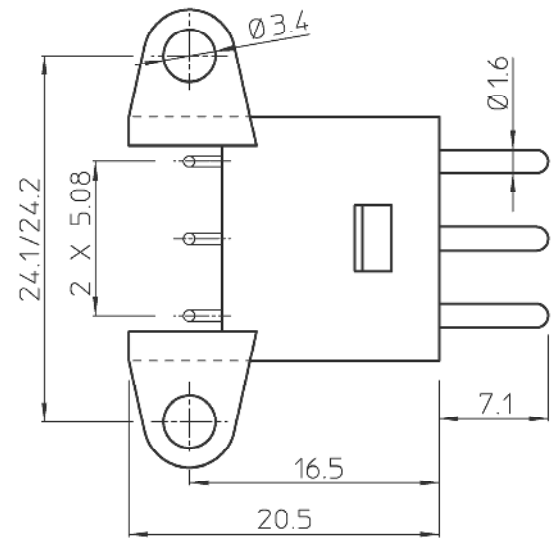
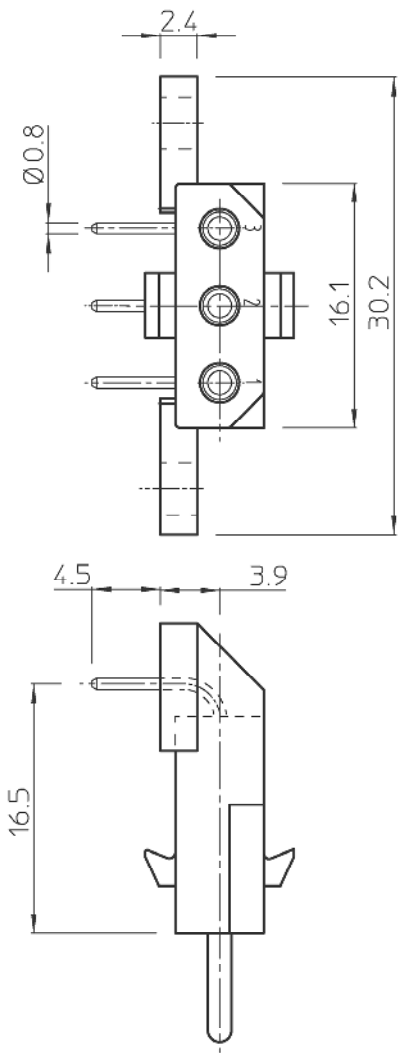


DIT IS ONZE EIGENDOM EN MAG NOCH NAGEMAAKT, HERDRUKT, OVERGEMAAKT AAN DERDEN, NOCH VOOR FABRIKATIE GEBRUIKT WORDEN, ZONDER ONZE SCHRIFTELIJKE TOELATING. BIJ NIET GEBRUIK IS DE TERUGZENING VERPLICHT.

THIS IS OUR EXCLUSIVE PROPERTY. IT IS NOT TO BE COPIED, REPRINTED OR DISCLOSED TO A THIRD PARTY, NOR USED FOR MANUFACTURING WITHOUT OUR WRITTEN CONSENT, AND HAS TO BE RETURNED TO US IN CASE OF NO USAGE

BS,A , 202365,001,00

REV.	DATE	DESCRIPTION	BY	C'K'D'



**MATERIAL :**

HOUSING : GLASS FILLED POLYESTER UL94-V0, BLACK  
 CONTACTS : BRASS GOLD OR TIN PLATED.


**PERFORMANCE CHARACTERISTICS :**

OPERATING TEMPERATURE : -55°C TO 125°C  
 INSULATING RESISTANCE : 5000 MΩ MIN.  
 TEST POTENTIAL : 2000 VAC

**NOTES :**

- CONNECTOR SUPPLIED FULLY LOADED WITH MACHINED PIN CONTACTS.  
 GOLD PLATED : SMS3GE6 ; GOLD FLASH : SMS3GE6J ; TIN PLATED : SMS3GE6T.
- MATING PARTS : SMS--P1 (WITHOUT CABLE HOOD )  
 SMS--PDH1 (WITH INTEGRATED CABLE HOOD )
- DRILLING HOLE PATTERN : SEE DRAWING BS,C ,201713,000
- CONNECTOR MUST BE MOUNTED ON THE EDGE OF THE PRINTED CIRCUIT BOARD.

GEN. ST.	01	02	03	04	05	06	07	08	0D	50	60	70	80	90																	
INT. ST.	10	11	12	13	14	18	20	31	32	33	34	38	39	40	42	43	44	45	46	48	56	70	72	73	75	76	81	82	85	84	88

1DEC ±0,2 2DEC ±0,1 ANGLES ±1° HOEKEN	<b>APPR.</b>	<b>DATE</b>	<b>SIGN.</b>	SMS QIKMATE RIGHT ANGLE MALE REC. W. MACH. CONT.
WE RESERVE THE RIGHT TO CHANGE DIMENSIONS OR REQUIREMENTS WITHOUT PRIOR NOTICE.	DRAFT	18-08-97	S. Van Dessel	<b>CAT. No.</b> SMS3GE6*
ALL DIMENSIONS IN MM	PROD. MGR.			 <b>SOURIAU</b> Route Nationale 23 72470 CHAMPAGNE
ALLE AFMETINGEN IN MM	PR. ENG. MGR.			
	PR. MGT. MGR.			BS,A , 202365,001,00 DRAWING NR. CUSTOMER DRAWING