

# EV-T2G3PC-3AC32A-4,0M6,0EHBK01 - AC charging cable



1627136

<https://www.phoenixcontact.com/pc/products/1627136>

Please be informed that the data shown in this PDF document is generated from our online catalog. Please find the complete data in the user documentation. Our general terms of use for downloads are valid.



CHARX connect comfort, Mobile AC charging cable, with vehicle charging connector and infrastructure charging plug, for charging electric vehicles (EV) with alternating current (AC) via type 2 vehicle charging inlets, with protective cap, Type 2, IEC 62196-2, 32 A / 480 V (AC), housing: black, gray, PHOENIX CONTACT logo, cable: 4 m, black, spiraled

## Product description

Mobile AC charging cable with vehicle charging connector and infrastructure charging plug for charging electric vehicles (EV) with alternating current (AC) via type 2 vehicle charging inlets, compatible with type 2 infrastructure charging sockets at charging stations for e-mobility (EVSE)

## Your advantages

- Complete product range
- Convenient handling due to the ergonomic, triple award-winning design
- Available with your logo on request – for consistent branding of your charging station
- Longitudinal water tightness reliably prevents water ingress
- Developed and produced in accordance with the IATF 16949 automotive standard and ISO 9001
- Tested in accordance with automotive standards LV124, LV214, and LV215-2
- Tested in accordance with EV Ready 37 requirements
- Laser-marked mating face in accordance with DIN EN 17186

## Commercial data

|                                      |                    |
|--------------------------------------|--------------------|
| Item number                          | 1627136            |
| Packing unit                         | 1 pc               |
| Minimum order quantity               | 1 pc               |
| Product key                          | XWBAEC             |
| Catalog page                         | Page 29 (C-7-2019) |
| GTIN                                 | 4055626299488      |
| Weight per piece (including packing) | 4,590 g            |
| Weight per piece (excluding packing) | 4,489 g            |
| Customs tariff number                | 85444290           |
| Country of origin                    | PL                 |



# EV-T2G3PC-3AC32A-4,0M6,0EHBK01 - AC charging cable



1627136

<https://www.phoenixcontact.com/pc/products/1627136>

|        |          |
|--------|----------|
| Height | 131.8 mm |
| Depth  | 233.4 mm |

## Vehicle charging connector

|                     |                          |
|---------------------|--------------------------|
| Dimensional drawing | <p>Vehicle connector</p> |
| Width               | 70 mm                    |
| Height              | 137 mm                   |
| Depth               | 215.9 mm                 |

## Material specifications

|   |              |
|---|--------------|
| Color (Housing)                         | black (9005) |
| Color (Handle area)                     | gray (7042)  |
| Color (Mating face)                     | black (9005) |
| Color (Protective cap)                  | black (9005) |
| Color (Cable)                           | black (9005) |
| Material (Vehicle charging connector)   | Plastic      |
| Material (Cable outer sheath)           | TPE-U        |
| Material (Infrastructure charging plug) | Plastic      |
| Material (Contact surface)              | Silver       |

## Cable/line

|                              |   |
|------------------------------|---|
| Cable length                 | 4 m   |
| Wiring standards/regulations | prEN 50620/DIN EN 50620   |
| Wiring certifications        | VDE   |
| Cable type                   | Class 5   |
| Cable type                   | spiraled  |
| Cable structure              | 5 x 6.0 mm <sup>2</sup> + 1 x 0.5 mm <sup>2</sup>                       |
| External cable diameter      | 17 mm ±0.4 mm   |
| Outer sheath, material       | TPE-U   |
| Block length                 | 0.63 m ±10 %  |
| Coil diameter                | 80 mm ±10 %   |
| Effective length             | max. 4 m ±5 %   |
| Cable resistance             | ≤ 0.0033 Ω/m (based on a power core, at an ambient temperature of 20°C) |
| Bending radius               | min. 102 mm (6x diameter)   |

## Mechanical properties

### Mechanical data

|                             |         |
|-----------------------------|---------|
| Insertion/withdrawal cycles | > 10000 |
|-----------------------------|---------|

# EV-T2G3PC-3AC32A-4,0M6,0EHBK01 - AC charging cable



1627136

<https://www.phoenixcontact.com/pc/products/1627136>

|                  |         |
|------------------|---------|
| Insertion force  | < 100 N |
| Withdrawal force | < 100 N |

## Environmental and real-life conditions

### Ambient conditions

|   |  |
|---|--|
| Degree of protection (Vehicle charging connector)   | IP44 (plugged in; when plugged in and ready to operate, the degree of protection is only ensued if both plug-in components are original products from Phoenix Contact or suitable standard-compliant products) |
| Degree of protection (Infrastructure charging plug) | IP44 (plugged in; when plugged in and ready to operate, the degree of protection is only ensued if both plug-in components are original products from Phoenix Contact or suitable standard-compliant products) |
| Degree of protection (Protective cap)               | IP54   |
| Ambient temperature (operation)                     | -40 °C ... 50 °C   |
| Ambient temperature (storage/transport)             | -40 °C ... 80 °C   |
| Altitude  | 5000 m (above sea level)   |

## Standards and regulations

### Standards

|                       |             |
|-----------------------|-------------|
| Standards/regulations | IEC 62196-2 |
|-----------------------|-------------|

# EV-T2G3PC-3AC32A-4,0M6,0EHBK01 - AC charging cable

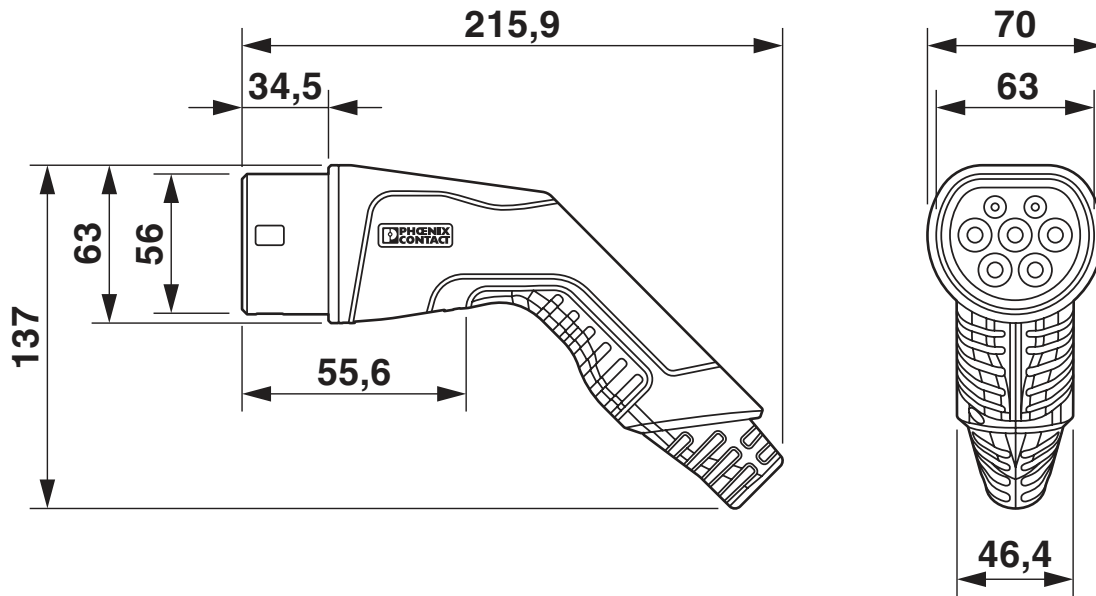


1627136

<https://www.phoenixcontact.com/pc/products/1627136>

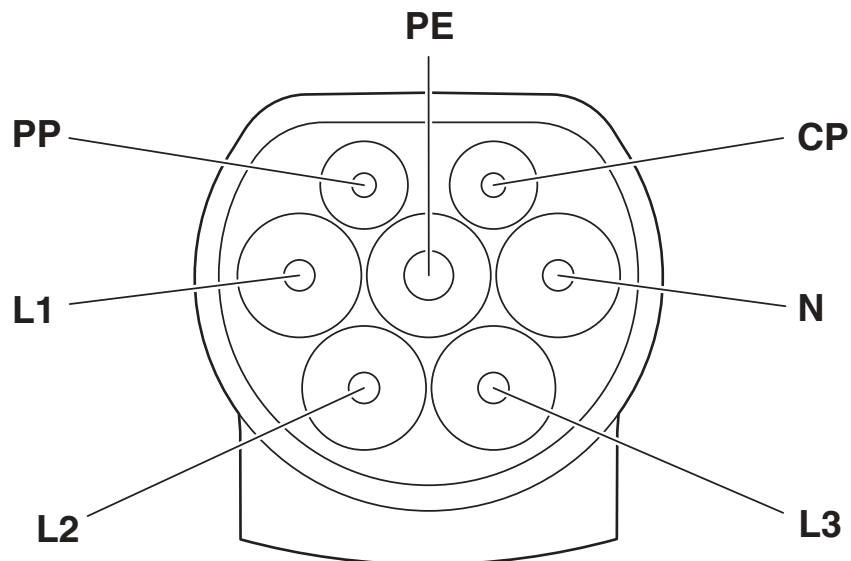
## Drawings

Dimensional drawing



Vehicle connector

Connection diagram



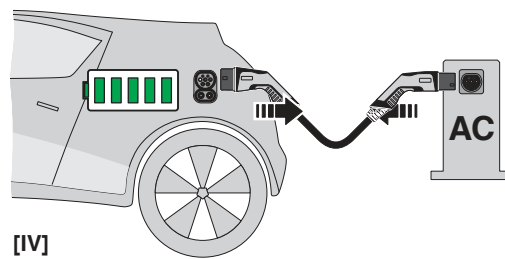
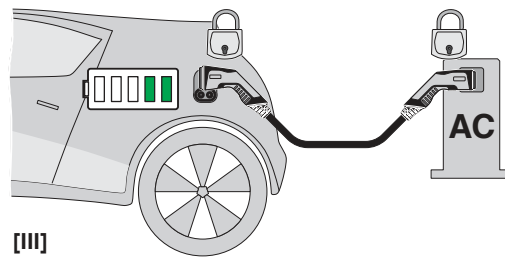
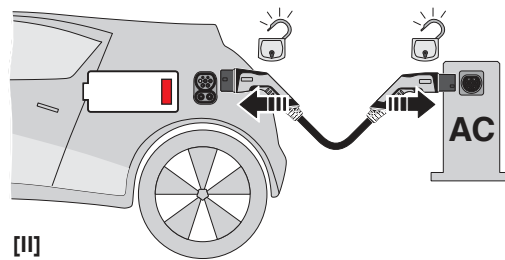
Pin assignment of Infrastructure Plug

# EV-T2G3PC-3AC32A-4,0M6,0EHBK01 - AC charging cable

1627136

<https://www.phoenixcontact.com/pc/products/1627136>

Schematic diagram



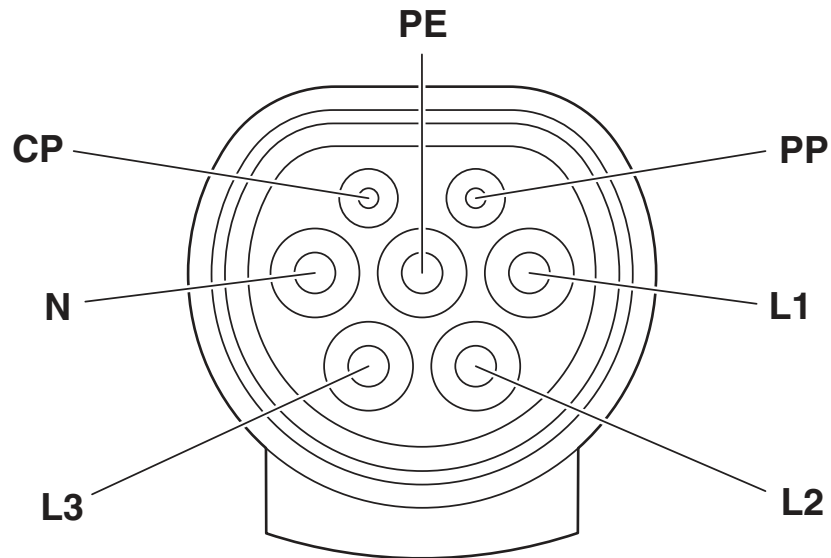
Operating instructions

# EV-T2G3PC-3AC32A-4,0M6,0EHBK01 - AC charging cable

1627136

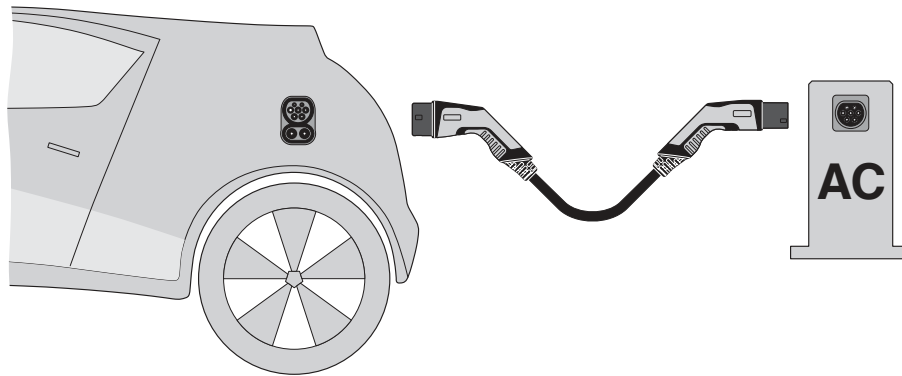
<https://www.phoenixcontact.com/pc/products/1627136>

Schematic diagram



Pin assignment of the Vehicle Connector

Schematic diagram



Terminology definition

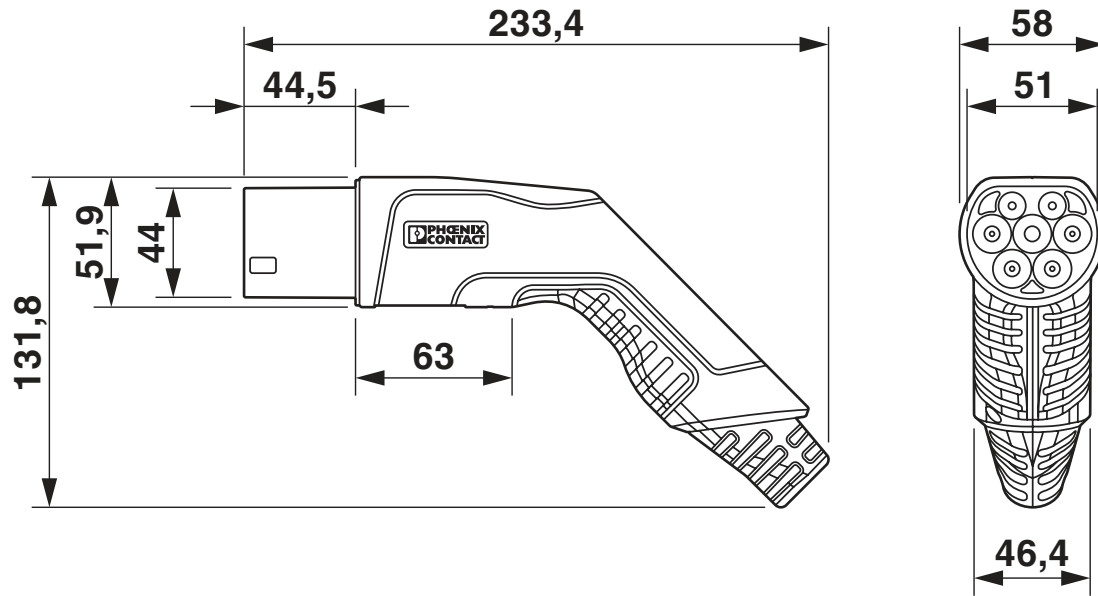
# EV-T2G3PC-3AC32A-4,0M6,0EHBK01 - AC charging cable



1627136

<https://www.phoenixcontact.com/pc/products/1627136>

Dimensional drawing



Infrastructure plug



# EV-T2G3PC-3AC32A-4,0M6,0EHBK01 - AC charging cable





1627136

<https://www.phoenixcontact.com/pc/products/1627136>

## Approvals

To download certificates, visit the product detail page: <https://www.phoenixcontact.com/pc/products/1627136>

|  <b>IECEE CB Scheme</b><br>Approval ID: DE1-65890 |                       |                       |                   |                             |
|--|-----------------------|-----------------------|-------------------|-----------------------------|
|  | Nominal voltage $U_N$ | Nominal current $I_N$ | Cross section AWG | Cross section $\text{mm}^2$ |
|  | 480 V                 | 32 A                  | -                 | -                           |

|  <b>VDE Zeichengenehmigung</b><br>Approval ID: 40045394 |                       |                       |                   |                             |
|--|-----------------------|-----------------------|-------------------|-----------------------------|
|  | Nominal voltage $U_N$ | Nominal current $I_N$ | Cross section AWG | Cross section $\text{mm}^2$ |
|  | 480 V                 | 32 A                  | -                 | -                           |

# EV-T2G3PC-3AC32A-4,0M6,0EHBK01 - AC charging cable



1627136

<https://www.phoenixcontact.com/pc/products/1627136>

## Classifications

### ECLASS

|             |          |
|-------------|----------|
| ECLASS-11.0 | 27144705 |
| ECLASS-12.0 | 27144705 |
| ECLASS-13.0 | 27144705 |

### ETIM

|          |          |
|----------|----------|
| ETIM 8.0 | EC002897 |
|----------|----------|

### UNSPSC

|             |          |
|-------------|----------|
| UNSPSC 21.0 | 39121500 |
|-------------|----------|

# EV-T2G3PC-3AC32A-4,0M6,0EHBK01 - AC charging cable



1627136

<https://www.phoenixcontact.com/pc/products/1627136>

## Environmental product compliance

|            |  |
|------------|--|
| REACH SVHC | Lead 7439-92-1   |
| China RoHS | Environmentally Friendly Use Period = 10;  |
|            | For information on hazardous substances, refer to the manufacturer's declaration available under "Downloads" |

# EV-T2G3PC-3AC32A-4,0M6,0EHBK01 - AC charging cable



1627136

<https://www.phoenixcontact.com/pc/products/1627136>

## Accessories

### EV-T2AC-PARK - Charging connector holder

1624148

<https://www.phoenixcontact.com/pc/products/1624148>



CHARX connect, Charging connector holder, Accessories, for vehicle charging connectors on charging stations (EVSE), Type 2, IEC 62196-2, Front mounting, housing: black, PHOENIX CONTACT logo

---

### EV-T2M3SO12-3P-P-SET - Infrastructure charging socket

1164422

<https://www.phoenixcontact.com/pc/products/1164422>



CHARX connect modular, Infrastructure charging socket, square, Premium, Set, with square protective cover, with temperature sensors, with LED (common cathode connection), for charging electric vehicles (EV) with alternating current (AC), Type 2, IEC 62196-2, 32 A / 480 V (AC), without single-core wires, locking actuator: 12 V, 3-pos., Rear panel mounting, M5 thread, housing: black, PHOENIX CONTACT logo

# EV-T2G3PC-3AC32A-4,0M6,0EHBK01 - AC charging cable



1627136

<https://www.phoenixcontact.com/pc/products/1627136>

## EV-T2M3SO12-4P-P-SET - Infrastructure charging socket

1164423

<https://www.phoenixcontact.com/pc/products/1164423>



CHARX connect modular, Infrastructure charging socket, square, Premium, Set, with square protective cover, with temperature sensors, with LED (common cathode connection), for charging electric vehicles (EV) with alternating current (AC), Type 2, IEC 62196-2, 32 A / 480 V (AC), without single-core wires, locking actuator: 12 V, 4-pos., Rear panel mounting, M5 thread, housing: black, PHOENIX CONTACT logo

## EV-T2M3SO12-3P-BL-SET - Infrastructure charging socket

1268358

<https://www.phoenixcontact.com/pc/products/1268358>



CHARX connect modular, Infrastructure charging socket, square, Basic, Set, with square protective cover, with LED (common cathode connection), for charging electric vehicles (EV) with alternating current (AC), Type 2, IEC 62196-2, 32 A / 480 V (AC), without single-core wires, locking actuator: 12 V, 3-pos., Rear panel mounting, M5 thread, housing: black, PHOENIX CONTACT logo

# EV-T2G3PC-3AC32A-4,0M6,0EHBK01 - AC charging cable



1627136

<https://www.phoenixcontact.com/pc/products/1627136>

## EV-T2M3SO12-4P-BL-SET - Infrastructure charging socket

1268355

<https://www.phoenixcontact.com/pc/products/1268355>



CHARX connect modular, Infrastructure charging socket, square, Basic, Set, with square protective cover, with LED (common cathode connection), for charging electric vehicles (EV) with alternating current (AC), Type 2, IEC 62196-2, 32 A / 480 V (AC), without single-core wires, locking actuator: 12 V, 4-pos., Rear panel mounting, M5 thread, housing: black, PHOENIX CONTACT logo

---

## EV-T2M3SO12-3P-B-SET - Infrastructure charging socket

1164420

<https://www.phoenixcontact.com/pc/products/1164420>



CHARX connect modular, Infrastructure charging socket, square, Basic, Set, with square protective cover, for charging electric vehicles (EV) with alternating current (AC), Type 2, IEC 62196-2, 32 A / 480 V (AC), without single-core wires, locking actuator: 12 V, 3-pos., Rear panel mounting, M5 thread, housing: black, PHOENIX CONTACT logo

# EV-T2G3PC-3AC32A-4,0M6,0EHBK01 - AC charging cable



1627136

<https://www.phoenixcontact.com/pc/products/1627136>

## EV-T2M3SO12-4P-B-SET - Infrastructure charging socket

1164417

<https://www.phoenixcontact.com/pc/products/1164417>



CHARX connect modular, Infrastructure charging socket, square, Basic, Set, with square protective cover, for charging electric vehicles (EV) with alternating current (AC), Type 2, IEC 62196-2, 32 A / 480 V (AC), without single-core wires, locking actuator: 12 V, 4-pos., Rear panel mounting, M5 thread, housing: black, PHOENIX CONTACT logo

---

## EV-LABEL-C - Label

1309766

<https://www.phoenixcontact.com/pc/products/1309766>



CHARX connect, Label, Accessories, for AC type 2 vehicle charging connector and for AC type 2 vehicle charging inlet, DIN EN 17186

# EV-T2G3PC-3AC32A-4,0M6,0EHBK01 - AC charging cable



1627136

<https://www.phoenixcontact.com/pc/products/1627136>

## EV-LABEL-C-SO - Label

1315521

<https://www.phoenixcontact.com/pc/products/1315521>

CHARX connect, Label, Accessories, for AC type 2 infrastructure charging socket and for AC type 2 infrastructure charging plug, DIN EN 17186



---

Phoenix Contact 2023 © - all rights reserved

<https://www.phoenixcontact.com>

PHOENIX CONTACT GmbH & Co. KG

Flachsmarktstraße 8

D-32825 Blomberg

+49 (0) 5235-3 00

[info@phoenixcontact.com](mailto:info@phoenixcontact.com)