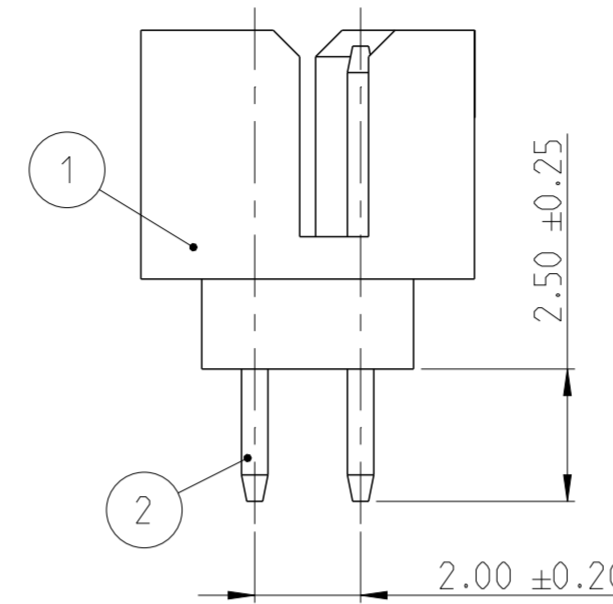
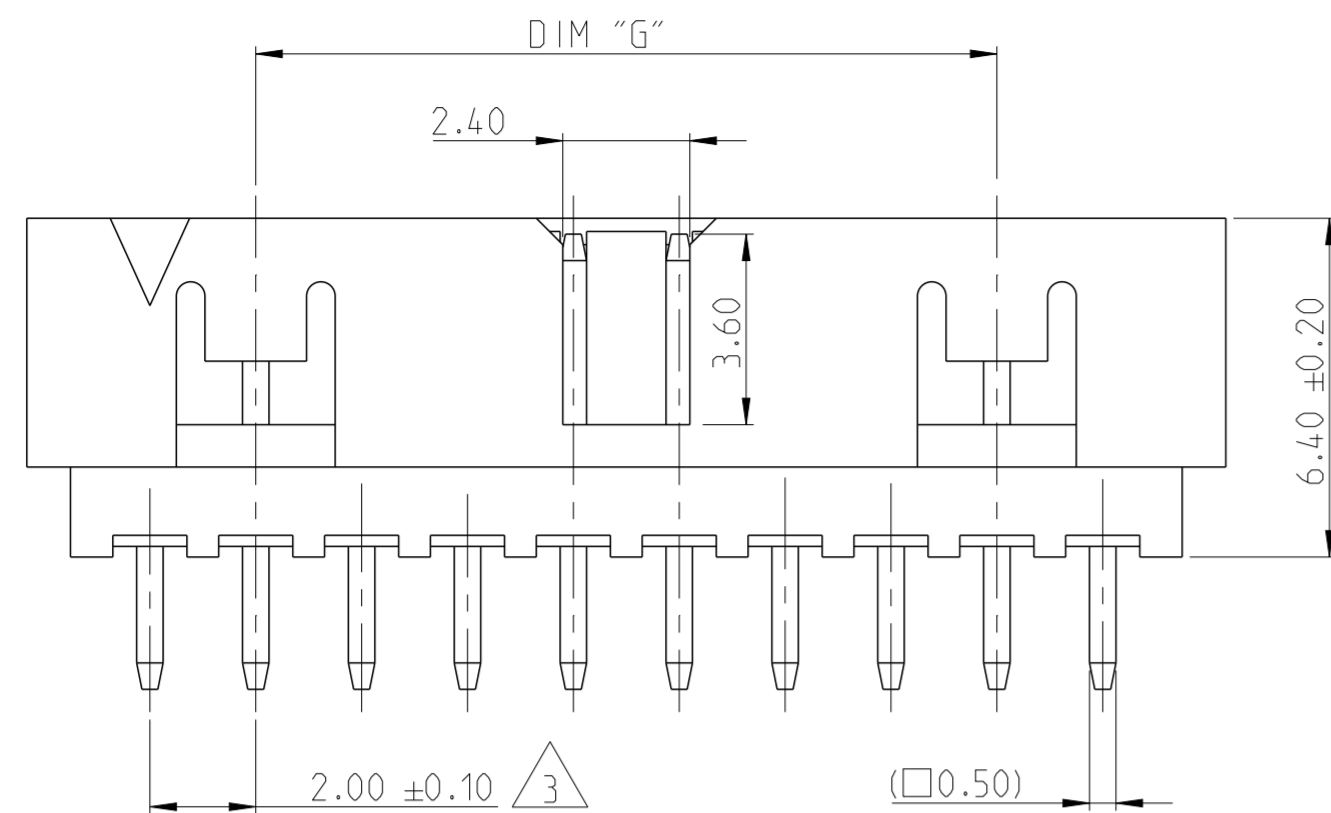
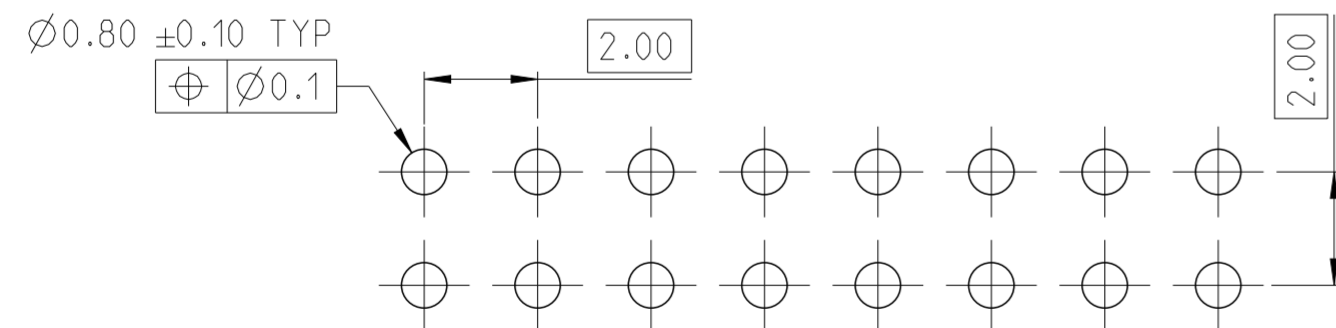
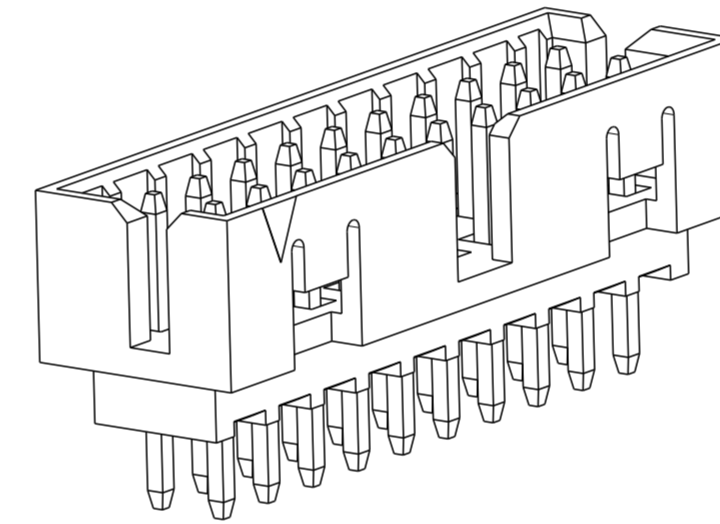
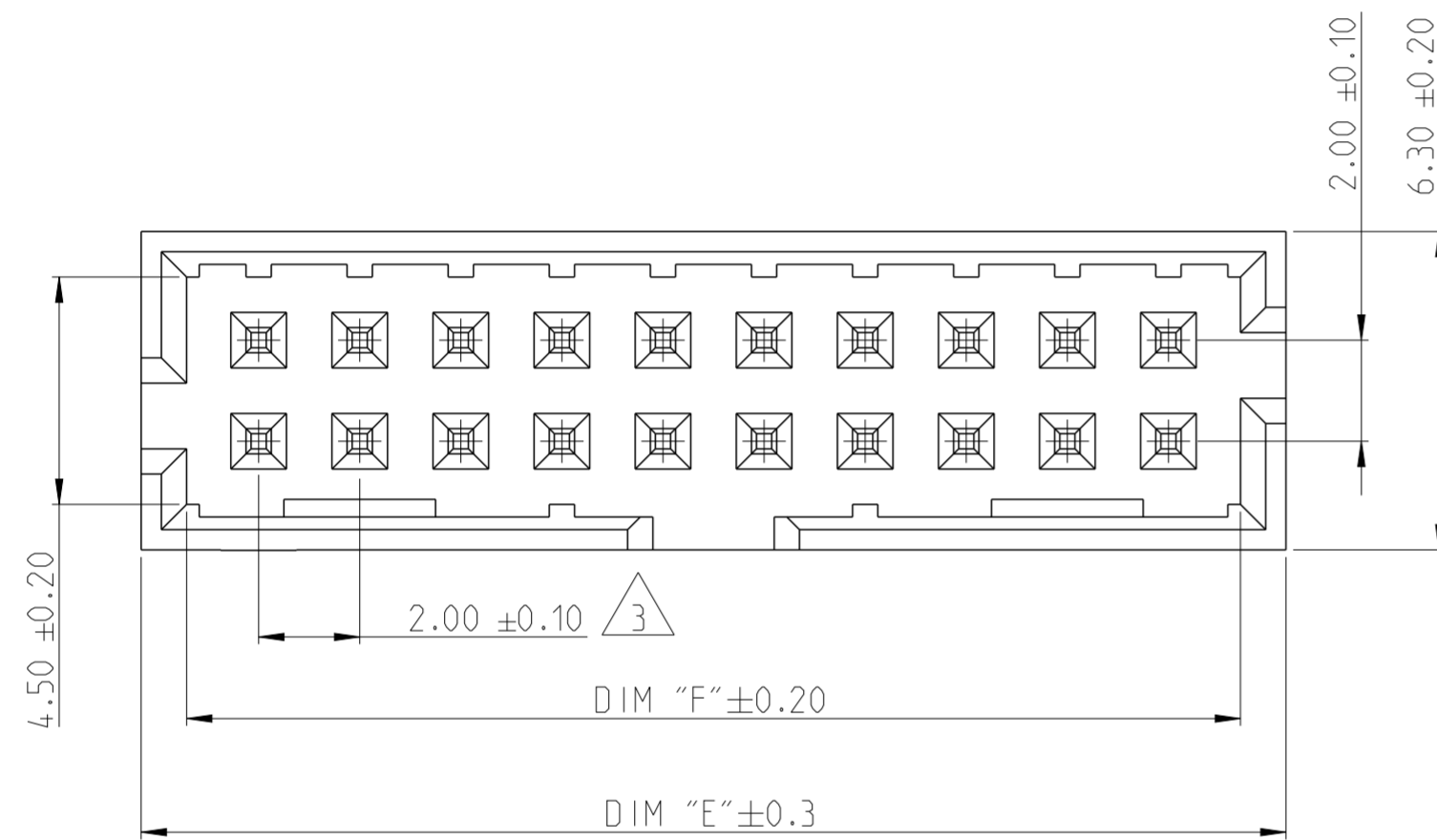


REVISIONS				
P	LTR	DESCRIPTION	DATE	APVD
A		RELEASE TO PRODUCTION	09DEC2019	AY PS
A1		ADDED 22 POSITION	18AUG2020	AY PS

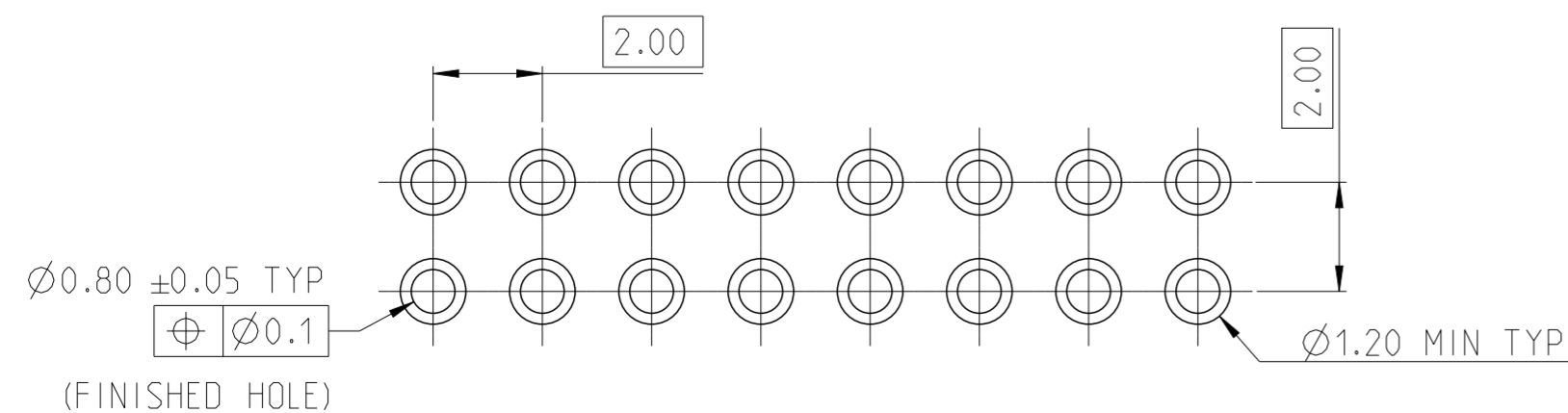


NOTES:

- MATERIAL
HOUSING : HIGH TEMPERATURE THERMOPLASTIC, UL94-V0; COLOR- BLACK
POST : COPPER ALLOY
FINISH :
MATING SIDE: MIN. 0.38 μm GOLD OVER NICKEL UNDER PLATING.
SOLDER SIDE: MIN. 2.0 μm TIN OVER NICKEL UNDER PLATING.
 - PACKAGING: TUBE
- △ TOLERANCE NOT CUMULATIVE.



RECOMMENDED PCB HOLE PATTERN FOR THROUGH HOLE WAVE



RECOMMENDED PCB HOLE PATTERN FOR THROUGH HOLE REFLOW /PIN-IN-PASTE

2-2842237-0 AS SHOWN

44	50.85	52.65	50	5-2842237-0
38	44.85	46.65	44	4-2842237-4
34	40.85	42.65	40	4-2842237-0
28	34.85	36.65	34	3-2842237-4
24	30.85	32.65	30	3-2842237-0
20	26.85	28.65	26	2-2842237-6
18	24.85	26.65	24	2-2842237-4
16	22.85	24.65	22	2-2842237-2
14	20.85	22.65	20	2-2842237-0
10	16.85	18.65	16	1-2842237-6
8	14.85	16.65	14	1-2842237-4
DIM "G"	DIM "F"	DIM "E"	POS.	TE PN.

CONTACT PIN	2
HOUSING	1
DESCRIPTION	ITEM NO.

THIS DRAWING IS A CONTROLLED DOCUMENT.	
DIMENSIONS: mm	TOLERANCES UNLESS OTHERWISE SPECIFIED:
0 PLC ±	1 PLC ±
1 PLC ±	2 PLC ±0.25
2 PLC ±	3 PLC ±
3 PLC ±	4 PLC ±
4 PLC ±	ANGLES ±2°
FINISH	-
MATERIAL	SEE NOTES
	-

DWN	12NOV2019
CHK	ANKIT YADAV
CHK	KARTHIK JK
APVD	27NOV2019
APVD	PRASHANTH S.
PRODUCT SPEC	108-64040
APPLICATION SPEC	114-32259
WEIGHT	-
CUSTOMER DRAWING	

STE TE Connectivity	
NAME: AMPMODU 2mm SHROUDED HEADER, DUAL ROW, VERTICAL TH. 0.38 Au, TUBE	
SIZE	CAGE CODE
A2	00779
DRAWING NO	RESTRICTED TO
©-2842237	-
SCALE	SHEET
5:1	1 OF 1
REV	A1