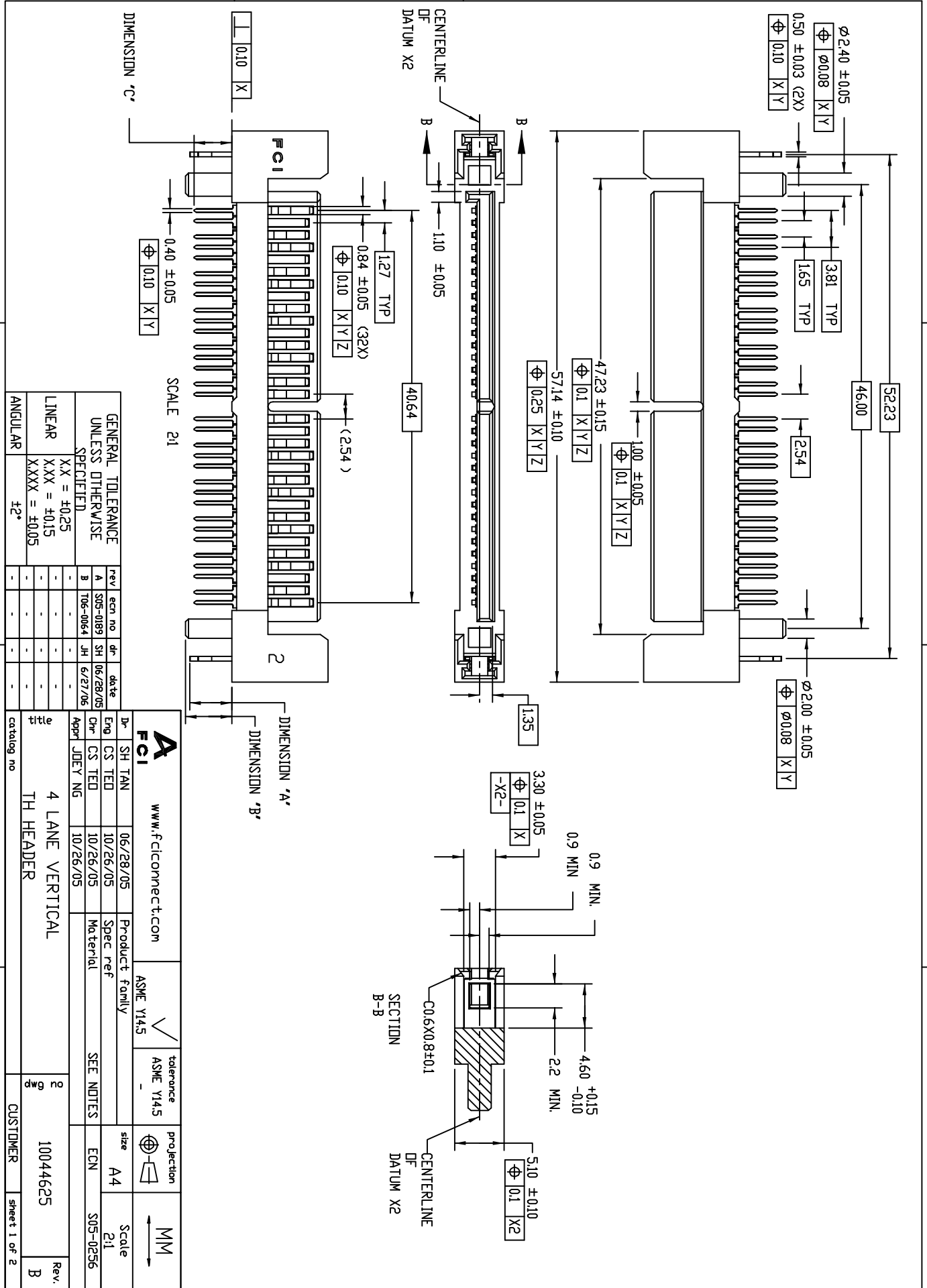


All rights strictly reserved. Reproduction or issue to third parties in any form whatever is not permitted without written authority from the proprietor. Property of FCI. Copyright FCI.



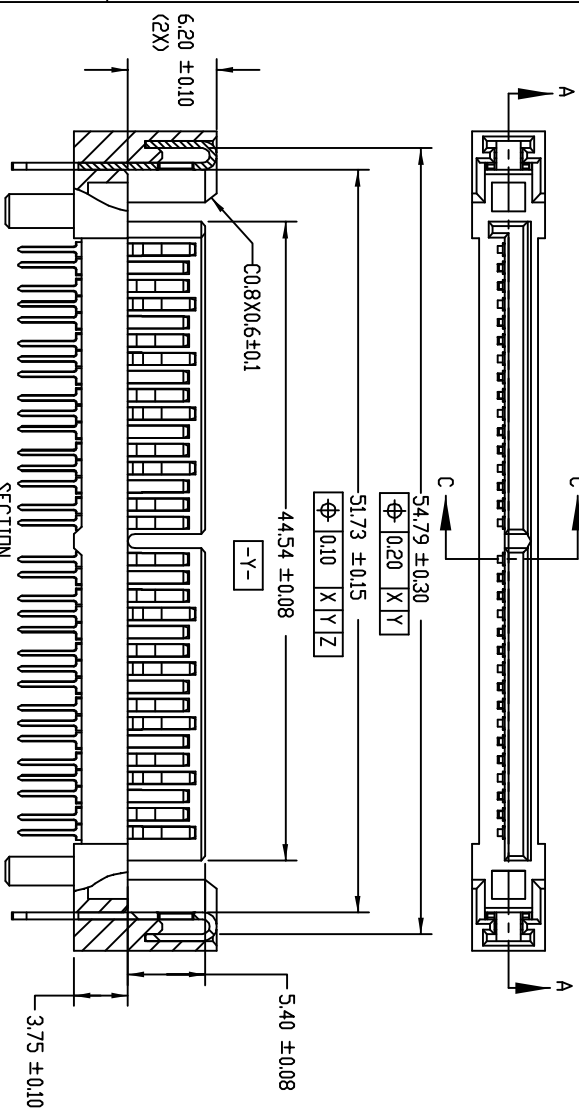
Tous droits strictement reserves. Reproduction ou communication a des tiers interdite sous quelque forme que soit sans autorisation ecrite du propriettaire. Propriete de c FCI. Droits de reproduction FCI.



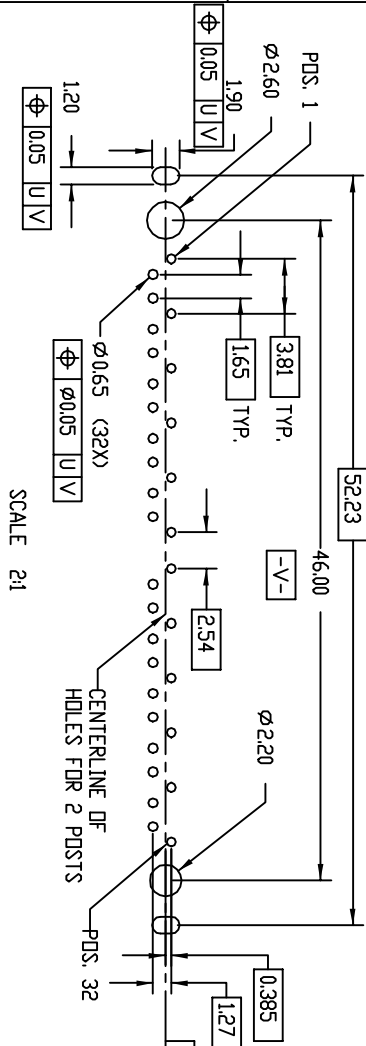
| | | | | |
|--|-------------------|----------|----------|------|
| GENERAL TOLERANCE UNLESS OTHERWISE SPECIFIED | rev | secn no. | dr. | date |
| A | S05-0189 | SH | 06/28/05 | |
| B | T06-0064 | JH | 6/27/06 | |
| LINEAR | XXX = ± 0.25 | | | |
| | KXX = ± 0.15 | | | |
| | KXXX = ± 0.05 | | | |
| ANGULAR | $\pm 2^\circ$ | | | |

| | | | | | | | | | | | |
|---------------------------|---------|--------------------|-------------|------------|----------------------|----------------------|----|------------|-----|-------|---|
| FCI | | www.fciconnect.com | | ASME Y14.5 | | tolerance ASME Y14.5 | | projection | | Scale | |
| Dr. | SH TAN | 06/28/05 | Product ref | ASME Y14.5 | tolerance ASME Y14.5 | size | A4 | Scale | 2:1 | Rev. | B |
| Eng | CS TED | 10/26/05 | Spec ref | SEE NOTES | ECN | S05-0256 | | | | | |
| Dmr | CS TED | 10/26/05 | Material | | | | | | | | |
| Appr | JDEY NG | 10/26/05 | | | | | | | | | |
| 4 LANE VERTICAL TH HEADER | | | customer | 10044625 | sheet 1 of 2 | | | | | | |

| PRODUCT NDL | PCB THICKNESS | DIMENSION 'A' | DIMENSION 'B' | DIMENSION 'C' | COLOR |
|----------------|---------------|------------------|---------------|---------------|---------|
| 10044625-001LF | 1.57±0.10 | 2.75±0.20 | 3.20±0.10 | 2.54±0.20 | BLACK |
| 10044625-002LF | 3.18±0.10 | 4.35 +0.10/-0.20 | 4.80±0.10 | 4.06±0.20 | BLACK |
| 10044625-003LF | 1.57±0.10 | 2.75±0.20 | 1.55±0.10 | 2.54±0.20 | BLACK |
| 10044625-004LF | 2.67±0.10 | 4.35±0.10/-0.20 | 4.20±0.10 | 3.65±0.20 | BLACK |
| 10044625-102LF | 3.18±0.10 | 4.35±0.10/-0.20 | 4.80±0.10 | 4.06±0.20 | NATURAL |
| 10044625-104LF | 2.67±0.10 | 4.35±0.10/-0.20 | 4.20±0.10 | 3.65±0.20 | NATURAL |



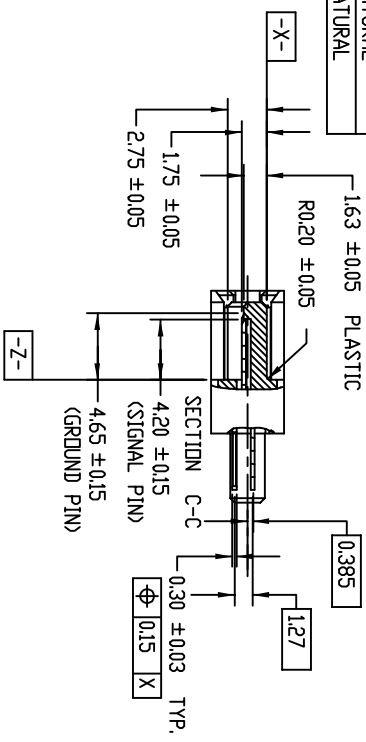
SECTION A-A SCALE 2:1



SCALE 2:1

NOTES

1. MATERIAL: HOUSING: HIGH TEMPERATURE PLASTIC, UL94V-0 CONTACT: COPPER ALLOY HOLD DOWN: COPPER ALLOY
2. FINISH: 1.27µm MIN NICKEL UNDERPLATE OVERALL, 2.54µm MIN TIN (LEAD-FREE) ON SOLDER TAIL, 0.76µm MIN GOLD IN CONTACT AREA
3. THIS PRODUCT MEETS EUROPEAN UNION DIRECTIVES AND OTHER COUNTRY REGULATIONS AS DESCRIBED IN GS-22-008
4. THE HOUSING WILL WITHSTAND EXPOSURE TO 260°C PEAK TEMPERATURE FOR 10 SECONDS IN A CONVECTION INFRA-RED DR VAPOR PHASE REFLUX OVEN
5. CONTACT WIFE: 207 MIN FOR SIGNAL AND 252 MIN FOR GROUND



SECTION C-C

RECOMMENDED PCB LAYOUT
(ALL TOLERANCES ARE ±0.05)

| | | | | | |
|------------|---------------------------|----------|----------|-------|--------|
| title | 4 LANE VERTICAL TH HEADER | QTY | 10044625 | Rev. | B |
| catalog no | | CUSTOMER | | sheet | 2 of 2 |