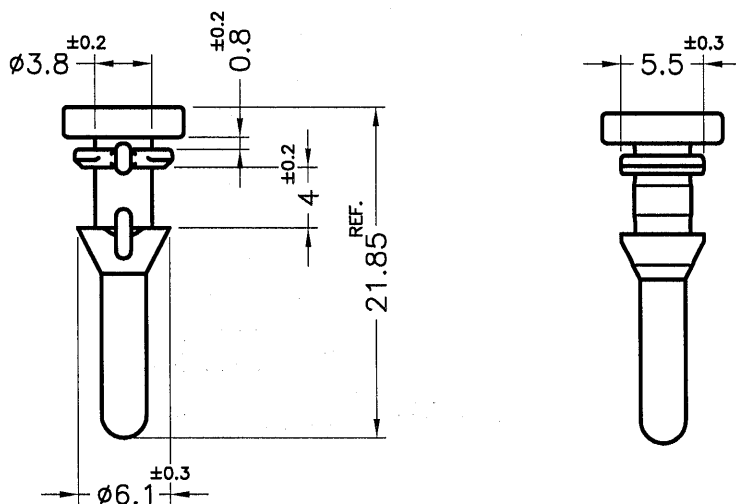
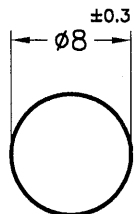



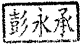

REVISIONS			
REV	DESCRIPTION	DATE	BY



MOUNTING HOLE  $\phi 4.4 \sim \phi 4.5 \text{mm}$   
 CHASSIS THICKNESS 0.8mm

PART NO.	HARDNESS
BUB-182G(B)	$45^\circ \pm 10$
BUB-182H(B)	$55^\circ \pm 10$

NOTE:MADE OF EQUIVALENT MATERIAL.  
 可使用同等材質.

 康揚企業股份有限公司 KANG YANG HARDWARE ENTERPRISE CO., LTD. 康揚塑膠(東莞)有限公司 KANG YANG PLASTIC(DONG GUAN )CO.,LTD. 康哲電腦配件(吳江)有限公司 KANG CHE COMPUTER COMPONENTS(WUJIANG) CO.,LTD.		TITLE	FAN SNAP RIVET	SPEC. DWG.			
		MATERIAL	TPE	DATE	2015.10.02		
		HARDNESS	SEE ABOVE	DRAWN	M.F		
		COLOR	BLACK	CHECK			
PART NUMBER	SEE ABOVE	DRAWING NUMBER	BUB-182	UNLESS OTHERWISE SPECIFIED TOLERANCE	SEE ABOVE	APPROVED	
SIZE	A4	SCALE	2:1	UNIT	mm	REV	A