

# PSR-MS21-1NO-1DO-24DC-SC - Safety relays



2702192

<https://www.phoenixcontact.com/us/products/2702192>

Please be informed that the data shown in this PDF document is generated from our online catalog. Please find the complete data in the user documentation. Our general terms of use for downloads are valid.



Safety relay for failsafe controllers up to SILCL 3, Cat. 4, PL e, 1-channel operation, autostart, 1 enabling current path,  $U_S = 24 \text{ V DC}$  in accordance with IEC 61131-6, fixed screw terminal block

## Your advantages

- Up to Cat. 4/PL e in accordance with EN ISO 13849-1, SIL 3 in accordance with EN IEC 62061
- Low housing width of just 6.8 mm
- 1-channel control
- 1 enabling current path, 1 digital signal output
- Couples digital output signals from failsafe controllers to I/O devices (valves, etc.) for electrical isolation and power adaptation
- Automatic activation

## Commercial data

Item number	2702192
Packing unit	1 pc
Minimum order quantity	1 pc
Sales key	DN01
Product key	DNA171
Catalog page	Page 219 (C-6-2019)
GTIN	4055626010199
Weight per piece (including packing)	83.4 g
Weight per piece (excluding packing)	69 g
Customs tariff number	85371098
Country of origin	DE

## Technical data

### Product properties

Product type	Safety relays
Product family	PSRmini
Application	Controllers
Relay type	Electromechanical relay with force-guided contacts in accordance with IEC/EN 61810-3

### Times

Typical response time	< 150 ms (automatic start)
Typ. starting time with $U_S$	< 250 ms (when controlled via A1)
Typical release time	< 20 ms (when controlled via A1)
Restart time	< 1 s
Recovery time	< 500 ms

### Electrical properties

Maximum power dissipation for nominal condition	3.1 W (at $U_S = 30$ V, $I_L^2 = 36$ A <sup>2</sup> )
Nominal operating mode	100% operating factor

### Air clearances and creepage distances between the power circuits

Rated insulation voltage	250 V AC
	250 V AC
Rated surge voltage/insulation	Safe isolation, reinforced insulation 6 kV between input circuit and enabling current path (13/14) Basic insulation 4 kV between all current paths and housing

### Supply

Rated control circuit supply voltage $U_S$	19.2 V DC ... 30 V DC
Rated control circuit supply voltage $U_S$	24 V DC -20 % / +25 % (at A1)
Rated control supply current $I_S$	typ. 35 mA
Power consumption at $U_S$	typ. 840 mW
Inrush current	150 mA ( $\Delta t = 25$ ms at $U_S$ )
Filter time	2.5 ms (at A1 in the event of voltage dips at $U_S$ )
	max. 3 ms (at A1; test pulse width; blanking pulses/dark test)
	1 s (at A1; test pulse rate; blanking pulses/dark test)
	Where test pulse width $\leq 1$ ms: test pulse rate = 5 x test pulse width
	max. 1 ms (at A1; test pulse width; switch-on pulses/light test)
	100 ms (at A1; test pulse rate; switch-on pulses/light test)
	Unless switch-on pulses/light tests are safety-related, they should be disabled.
Protective circuit	Surge protection; Suppressor diode
	Protection against polarity reversal for rated control circuit supply voltage

### Input data

# PSR-MS21-1NO-1DO-24DC-SC - Safety relays



2702192

<https://www.phoenixcontact.com/us/products/2702192>

## Digital

Inrush current	< 10 mA (with $U_s/I_x$ to S35)
Max. permissible overall conductor resistance	150 $\Omega$
Voltage at input/start and feedback circuit	24 V DC -20 % / +25 %
Current consumption	< 2 mA (with $U_s/I_x$ to S35)

## Output data

### Relay: Enabling current path

Output description	safety-related N/O contacts
Number of outputs	1 (undelayed)
Contact switching type	1 enabling current path
Contact material	AgSnO <sub>2</sub>
Switching voltage	min. 12 V AC/DC max. 250 V AC/DC (Observe the load curve)
Switching capacity	min. 60 mW
Inrush current	min. 3 mA max. 6 A
Limiting continuous current	6 A (observe derating)
Sq. Total current	36 A <sup>2</sup> (observe derating)
Switching frequency	max. 0.5 Hz
Mechanical service life	10x 10 <sup>6</sup> cycles
Output fuse	6 A gL/gG (N/O contact) 4 A gL/gG (for low-demand applications)

### Signal

Output description	non-safety-related
Number of outputs	1 (digital, PNP)
Voltage	typ. 21 V DC (Voltage at terminal block "24V" - 3 V)
Current	max. 100 mA
Maximum inrush current	500 mA ( $\Delta t = 1$ ms at $U_s$ )
Short-circuit protection	Yes

## Connection data

### Connection technology

pluggable	no
-----------	----

### Conductor connection

Connection method	Screw connection
Conductor cross section rigid	0.2 mm <sup>2</sup> ... 2.5 mm <sup>2</sup>
Conductor cross section flexible	0.2 mm <sup>2</sup> ... 2.5 mm <sup>2</sup>
Conductor cross-section AWG	24 ... 12
Stripping length	12 mm
Screw thread	M3

# PSR-MS21-1NO-1DO-24DC-SC - Safety relays



2702192

<https://www.phoenixcontact.com/us/products/2702192>

## Signaling

Status display	2 x green LEDs
Operating voltage display	1 x green LED

## Dimensions

Width	6.8 mm
Height	93.1 mm
Depth	102.5 mm

## Material specifications

Housing material	PBT
------------------	-----

## Characteristics

### Safety data

Stop category	0
---------------	---

### Safety data: EN ISO 13849

Category	4
Performance level (PL)	e (4 A DC13; 5 A AC15; 8760 switching cycles/year)

### Safety data: IEC 61508 - High demand

Safety Integrity Level (SIL)	3 (4 A DC13; 5 A AC15; 8760 switching cycles/year)
------------------------------	--

### Safety data: IEC 61508 - Low demand

Safety Integrity Level (SIL)	3
------------------------------	---

### Safety data: EN IEC 62061

Safety Integrity Level (SIL)	3 (4 A DC13; 5 A AC15; 8760 switching cycles/year)
------------------------------	--

## Environmental and real-life conditions

### Ambient conditions

Degree of protection	IP20
Min. degree of protection of inst. location	IP54
Ambient temperature (operation)	-40 °C ... 60 °C (observe derating)
Ambient temperature (storage/transport)	-40 °C ... 85 °C
Maximum altitude	≤ 2000 m (Above sea level)
Max. permissible humidity (storage/transport)	75 % (on average, 85% infrequently, non-condensing)
Max. permissible relative humidity (operation)	75 % (on average, 85% infrequently, non-condensing)
Shock	15g
Vibration (operation)	10 Hz ... 150 Hz, 2g

## Approvals

### CE

Certificate	CE-compliant
-------------	--------------

# PSR-MS21-1NO-1DO-24DC-SC - Safety relays



2702192

<https://www.phoenixcontact.com/us/products/2702192>

## Standards and regulations

Air clearances and creepage distances between the power circuits

Standards/regulations	DIN EN 50178
-----------------------	--------------

## Mounting

Mounting type	DIN rail mounting
Assembly instructions	See derating curve
Mounting position	vertical or horizontal
Connection method	Screw connection

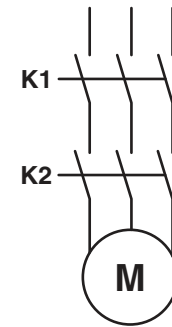
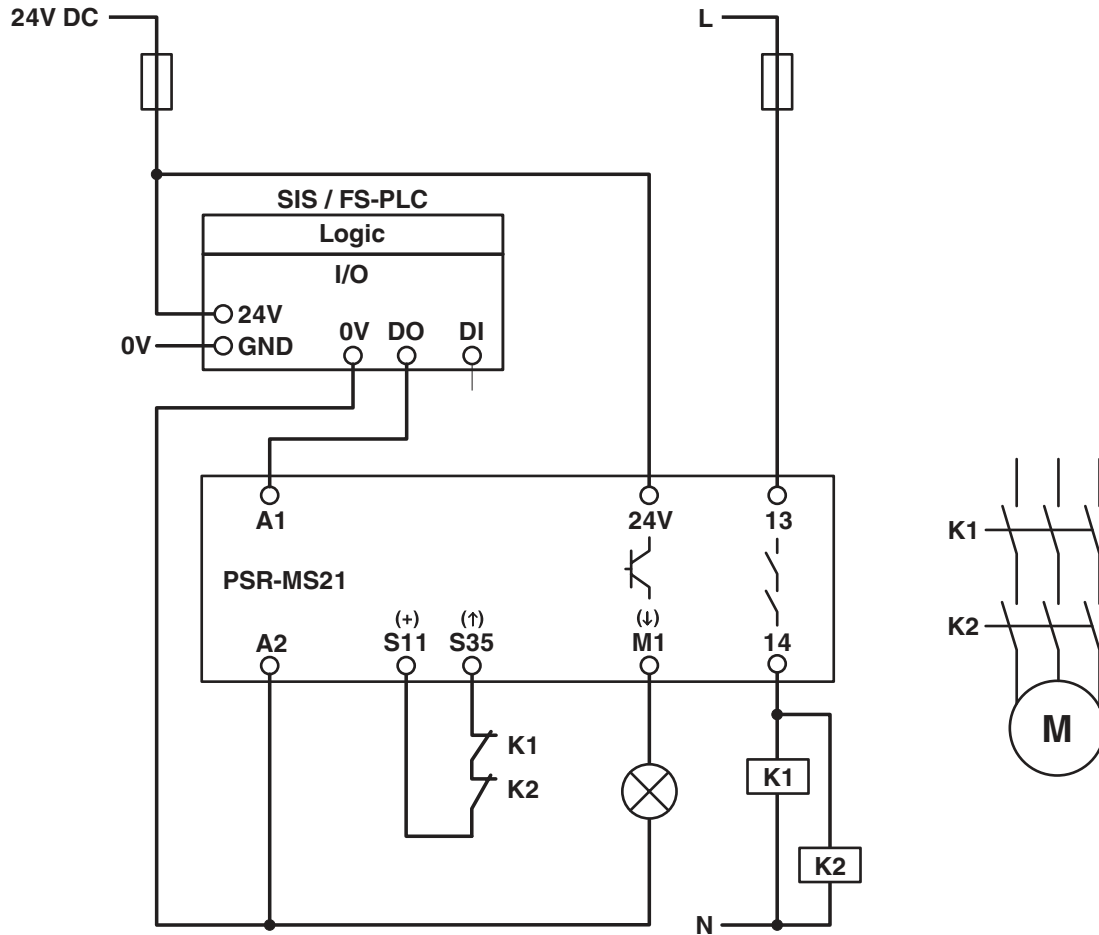
# PSR-MS21-1NO-1DO-24DC-SC - Safety relays

2702192

<https://www.phoenixcontact.com/us/products/2702192>

## Drawings

Circuit diagram

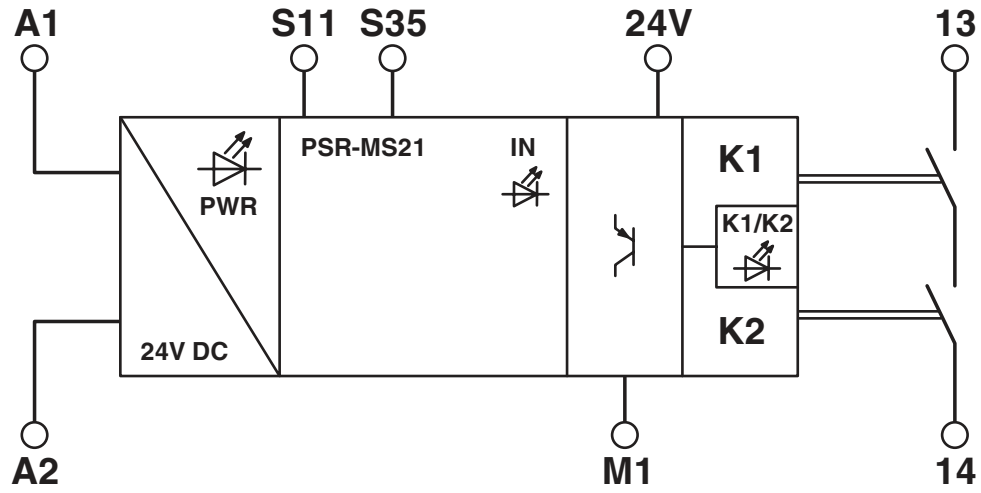


# PSR-MS21-1NO-1DO-24DC-SC - Safety relays

2702192

<https://www.phoenixcontact.com/us/products/2702192>

Block diagram



2702192

<https://www.phoenixcontact.com/us/products/2702192>

## Approvals

To download certificates, visit the product detail page: <https://www.phoenixcontact.com/us/products/2702192>



### UL Listed

Approval ID: FILE E 140324



### cUL Listed

Approval ID: FILE E 140324



### Functional Safety

Approval ID: 44-205-15124301



### Functional Safety

Approval ID: 44-780-15124301

cULus Listed



# PSR-MS21-1NO-1DO-24DC-SC - Safety relays



2702192

<https://www.phoenixcontact.com/us/products/2702192>

## Classifications

### ECLASS

ECLASS-11.0	27371819
ECLASS-13.0	27371819
ECLASS-12.0	27371819

### ETIM

ETIM 8.0	EC001449
----------	----------

### UNSPSC

UNSPSC 21.0	39122200
-------------	----------

# PSR-MS21-1NO-1DO-24DC-SC - Safety relays



2702192

<https://www.phoenixcontact.com/us/products/2702192>

## Environmental product compliance

REACH SVHC	Lead 7439-92-1
China RoHS	Environmentally Friendly Use Period = 50 years
	For information on hazardous substances, refer to the manufacturer's declaration available under "Downloads"

# PSR-MS21-1NO-1DO-24DC-SC - Safety relays



2702192

<https://www.phoenixcontact.com/us/products/2702192>

## Accessories

ZBF 6:UNBEDRUCKT - Zack Marker strip, flat

0808710

<https://www.phoenixcontact.com/us/products/0808710>



Zack Marker strip, flat, Strip, white, unlabeled, can be labeled with: PLOTMARK, CMS-P1-PLOTTER, mounting type: snapped, for terminal block width: 6.2 mm, lettering field size: 5.15 x 6.15 mm, Number of individual labels: 10

---

Phoenix Contact 2023 © - all rights reserved  
<https://www.phoenixcontact.com>

Phoenix Contact USA  
586 Fulling Mill Road  
Middletown, PA 17057, United States  
(+717) 944-1300  
[info@phoenixcon.com](mailto:info@phoenixcon.com)