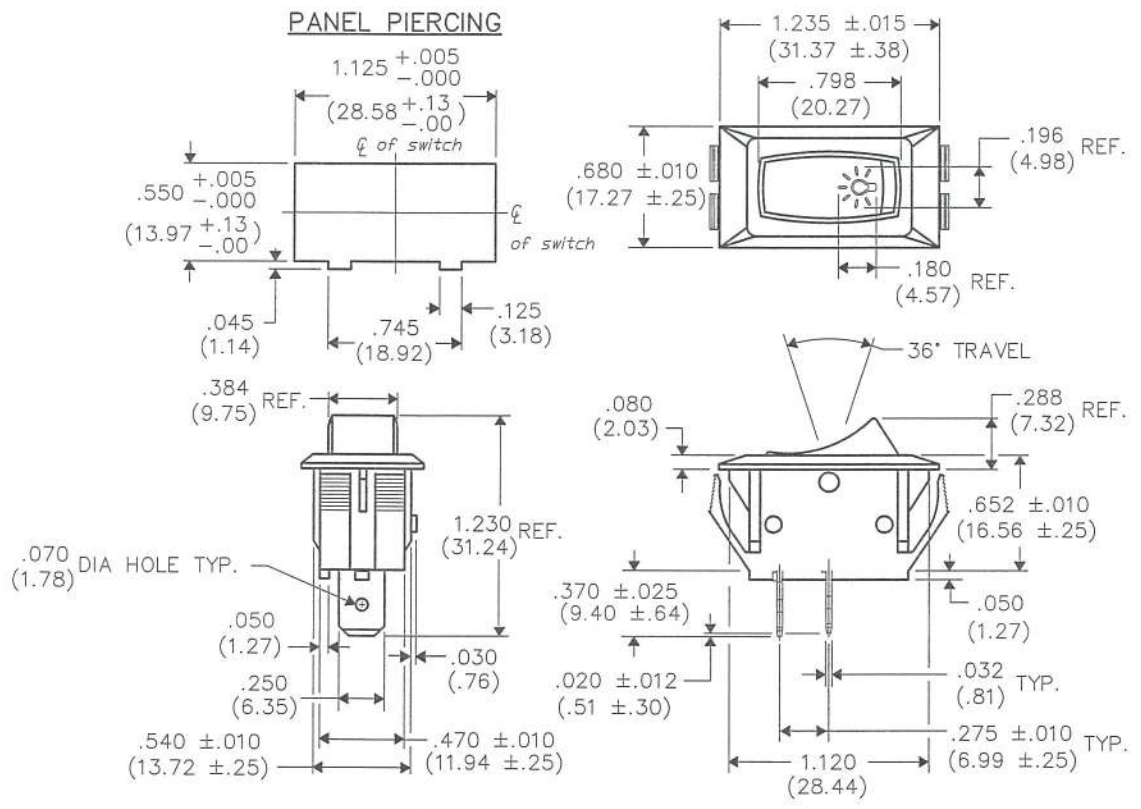


E
 D
 C
 B
 A

DIMENSIONS IN INCHES (MILLIMETERS)
 DO NOT SCALE DRAWING
 Dwg. No. **GRSH-2011-2017**



SWITCH COLOR - Beige
 LEGEND COLOR - Gray

SWITCH RATINGS:
 UL & CSA
 8A. 125VAC
 4A. 250VAC

FORM-B4

REVISIONS
 RELEASED:
 DGW 7-01-13
JUL 19 2013

1 2 3 4 5 6 7 8 9 10

PDF FILE MADE	CW INDUSTRIES Southampton, Pa. 18966		Title: ROCKER ASSEMBLY S.P.S.T., POLARIZED 1.125"x .550" PANEL
	TOLERANCES UNLESS OTHERWISE SPECIFIED 2 Place Decimal ±.010 METRIC 3 Place Decimal ±.005 1 Place Dec. ±.25mm Angles ±1' 2 Place Dec. ±.13mm		Division: SWITCH
	Made for: CW IND. Drawn by: DGW 7-01-13 Checked by: <i>G. Guld 7-2-13</i> Approval: <i>G. Guld 7-2-13</i>		Dwg. No. GRSH-2011-2017

MASTER