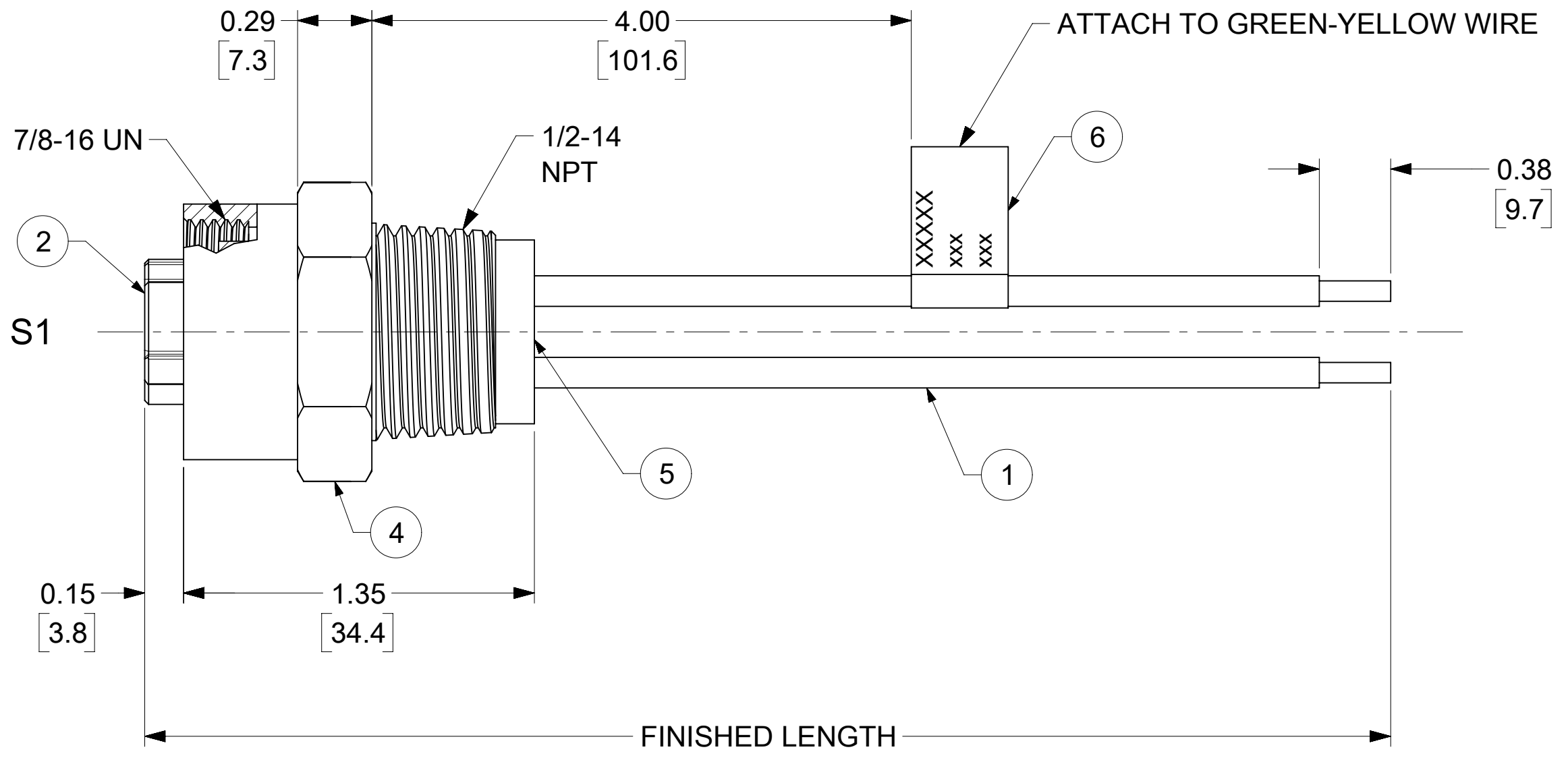
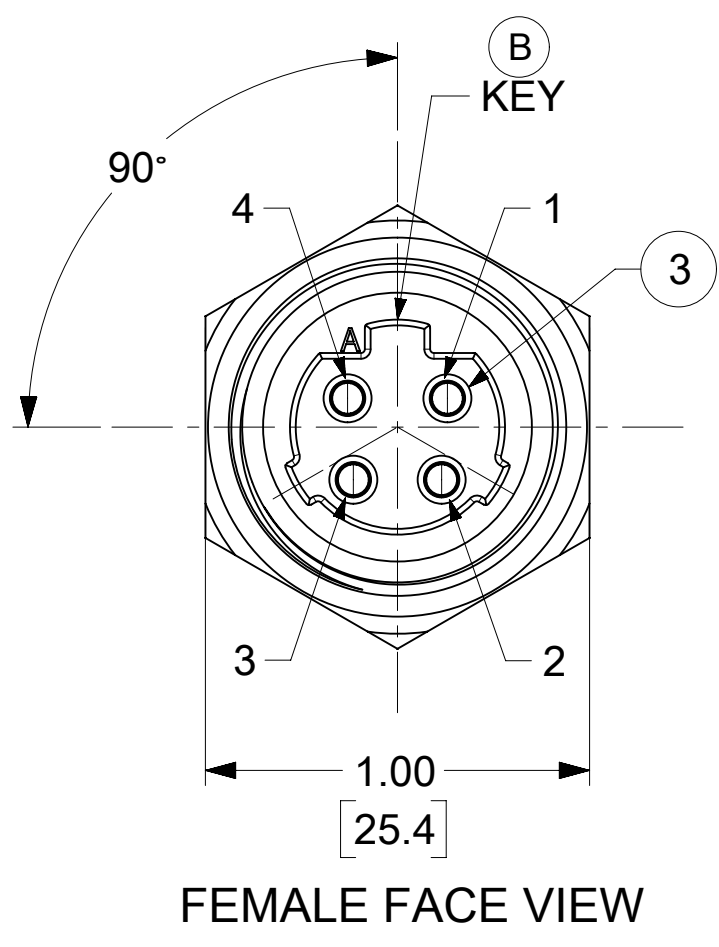
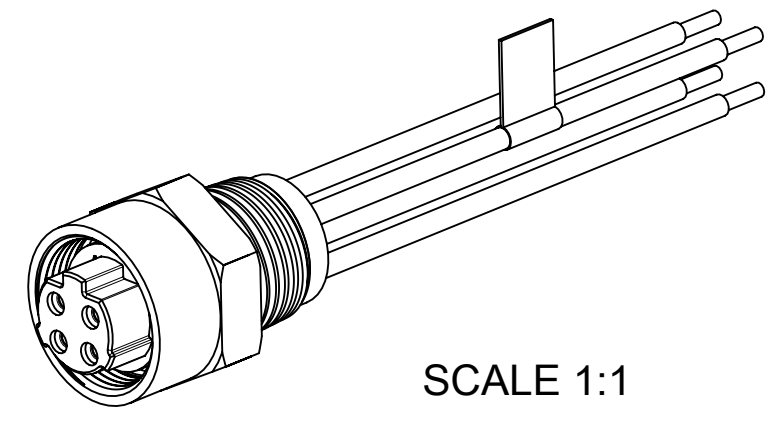


MATERIAL NO.	ENGINEERING NO.	FINISHED LENGTH
1300660285	1R4100A28M005G	0.5M (1 FT 7.67 IN)
1300660286	1R4100A28M010G	1M (3 FT 3.37 IN)
1300660318	1R4100A28M020G	2M (6 FT 6.74 IN)

CABLE LENGTH TOLERANCES
 <.3M [1FT]: +19mm-0 [+ .75in-0]
 .3 - .9M [1 - 3FT]: +44.5mm-0 [+1.75in-0]
 .9 - 1.8M [3 - 6FT]: +55.6mm-0 [+2.19in-0]
 1.8 - 3.7M [6 - 12FT]: +88.9mm-0 [+3.50in-0]
 3.7 - 7.3M [12 - 24FT]: +165.1mm-0 [+6.50in-0]
 7.3-14.6M [24 - 48FT]: +317.5mm-0 [+12.50in-0]
 14.6 - 30.5M [48-100FT]: +622.3mm-0 [+24.50in-0]
 OVER 30M [100FT] +2% OF FINISHED LENGTH

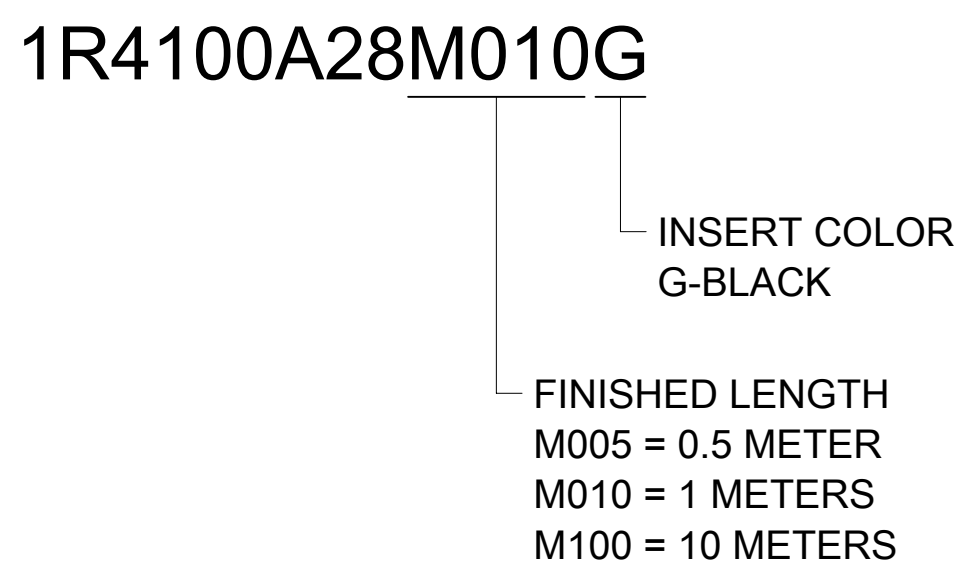


- NOTES:**
- MATERIAL: AS NOTED
 - FINISH: AS NOTED
 - ELECTRICAL:
 VOLTAGE: 483V PER IEC60664 (B)
 600V PER UL2237
 CURRENT: 15A
 - TEMP RATING: -20°C TO +90°C
 - PROTECTION: IP67 (WHEN MATED)
 - UL LISTED FILE: E258922 (B)
 - ASSEMBLY IS ROHS COMPLIANT
 - ALL DIMS ARE FOR REFERENCE UNLESS TOLERANCED OR NOTED OTHERWISE

WIRING DIAGRAM



PART NUMBER LEGEND (B)



ITEM	DESCRIPTION	MATERIAL	FINISH
6	FLAG LABEL	VINYL	BLACK/YELLOW (B)
5	POTTING MATERIAL	EPOXY	BLACK (B)
4	RECEPTACLE SHELL	ZINC DIE CAST	NICKEL PLATED
3	SOCKET CONTACT	Cu ALLOY	GOLD OVER NICKEL
2	FEMALE INSERT	TPE	BLACK
1	WIRE, 14 AWG, THHN	PVC	SEE WIRE DIAGRAM

FUNCTIONAL SYMBOLS	THIS DRAWING CONTAINS INFORMATION THAT IS PROPRIETARY TO MOLEX ELECTRONIC TECHNOLOGIES, LLC AND SHOULD NOT BE USED WITHOUT WRITTEN PERMISSION		CURRENT REV DESC: UPDATED ITEM 2 WAS PVC, 6 WAS MYLAR, VOLTAGE, UL, PN LEGEND TOLERANCE & MATERIAL TABLE	
	DIMENSION UNITS	SCALE		
$F_A = 0$	INCH/MM	2:1	EC NO: 704134 DRWN: VHANDI 2021/07/02 CHK'D: RSTONE 2022/04/27 APPR: BWOODMAN 2022/05/04	BRAD POWER RECEPTACLE, A SIZE 4 POLE, FEMALE, STRAIGHT, TRI-KEY, 14 AWG
$F_C = 0$	GENERAL TOLERANCES (UNLESS SPECIFIED)			
$F_P = 0$		MM INCH	INITIAL REVISION: DRWN: GGUSTAFSON 2014/11/24 APPR: BWOODMAN 2014/12/02	PRODUCT CUSTOMER DRAWING
DIVISIONAL SYMBOLS	4 PLACES	± ±		
	3 PLACES	± ±	DOCUMENT NUMBER SD-130066-070	DOC TYPE PSD
	2 PLACES	± ±		
	1 PLACE	± ±	MATERIAL NUMBER SEE TABLE	CUSTOMER GENERAL MARKET
	0 PLACES	± ±		
	ANGULAR TOL	± °	THIRD ANGLE PROJECTION	
	DRAFT WHERE APPLICABLE MUST REMAIN WITHIN DIMENSIONS		DRAWING C-SIZE	SERIES 130066