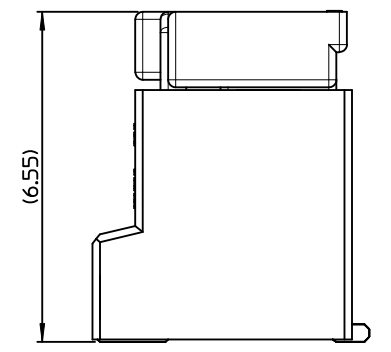
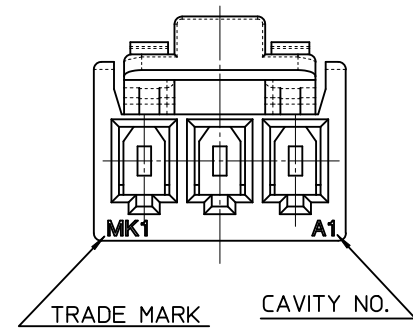
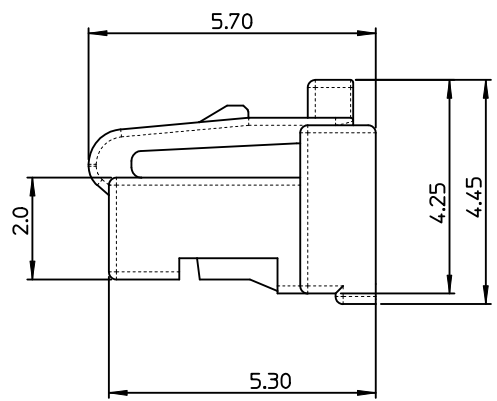
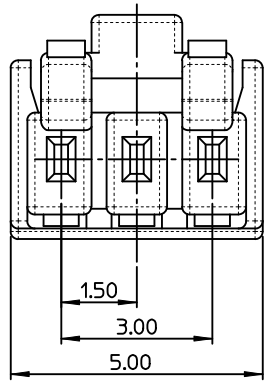
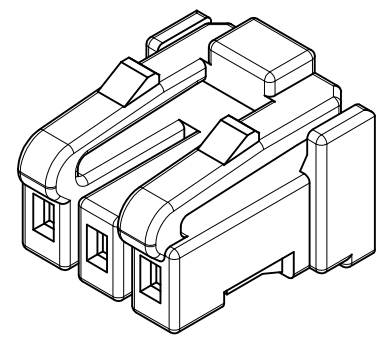


NOTE

- 1. MATERIAL : LIQUID CRYSTAL POLYMER(LCP), GLASS FILLED, UL94V-0  
NATURAL COLOR
- 2. MATED WITH : 104080-0310
- 3. APPLICABLE TERMINAL : 104501-8003
- 4. PRODUCT SPECIFICATION : PS-104080-001



MATED WITH HEADER ASSEMBLY

|   |                      |                 |   |  |   |                                    |                        |  |
|---|----------------------|-----------------|---|--|---|------------------------------------|------------------------|--|
| NEW RELEASED<br>EC NO: KOR2010-0199<br>DRWN:CBCHN 2010/06/09<br>CHKD:SH.CHU 2010/06/09<br>APPR:YUNSIKKIM 2010/06/09 | DESCRIPTION<br>REV A | QUALITY SYMBOLS | GENERAL TOLERANCES (UNLESS SPECIFIED)   | DIMENSION STYLE  | SCALE   | DESIGN UNITS                       | THIRD ANGLE PROJECTION |  |
|   |                      | ▼=0<br>□=0      | mm    INCH<br>4 PLACES ± --- ± ---<br>3 PLACES ± --- ± ---<br>2 PLACES ± --- ± ---<br>1 PLACE ± 0.20 ± ---<br>ANGULAR ± 3 ° | MM ONLY  | 10:1  | METRIC                             |                        |  |
|   |                      |                 |   | DRAWN BY: JB. JIN    DATE: 2010/01/21<br>CHECKED BY: SH. CHU    DATE: 2010/01/21<br>APPROVED BY: YS. KIM    DATE: 2010/01/21 | TITLE   | 1.5 WIRE TO BOARD CONN. HOUSING-3P |                        |  |
|   |                      |                 |   | MATERIAL NO. 1040790300<br>DRAFT WHERE APPLICABLE MUST REMAIN WITHIN DIMENSIONS  | MOLEX INCORPORATED<br>DOCUMENT NO. SD-104079-001<br>SHEET NO. 1 OF 01   |                                    |                        |  |
|   |                      |                 |   | SIZE A3  | THIS DRAWING CONTAINS INFORMATION THAT IS PROPRIETARY TO MOLEX INCORPORATED AND SHOULD NOT BE USED WITHOUT WRITTEN PERMISSION |                                    |                        |  |