



Electrical Specifications

Center Frequency: 69 MHz
Bandwidth: 78 MHz
Pass Band: 30-108 MHz
Insertion Loss: 1.0 dB Max at Center Frequency
2.0 dB Max at 30 MHz
3.0 dB Max at 108 MHz
Rejection: ≥ 80 dB @ ≤ 15 MHz
 ≥ 80 dB @ ≥ 150 MHz

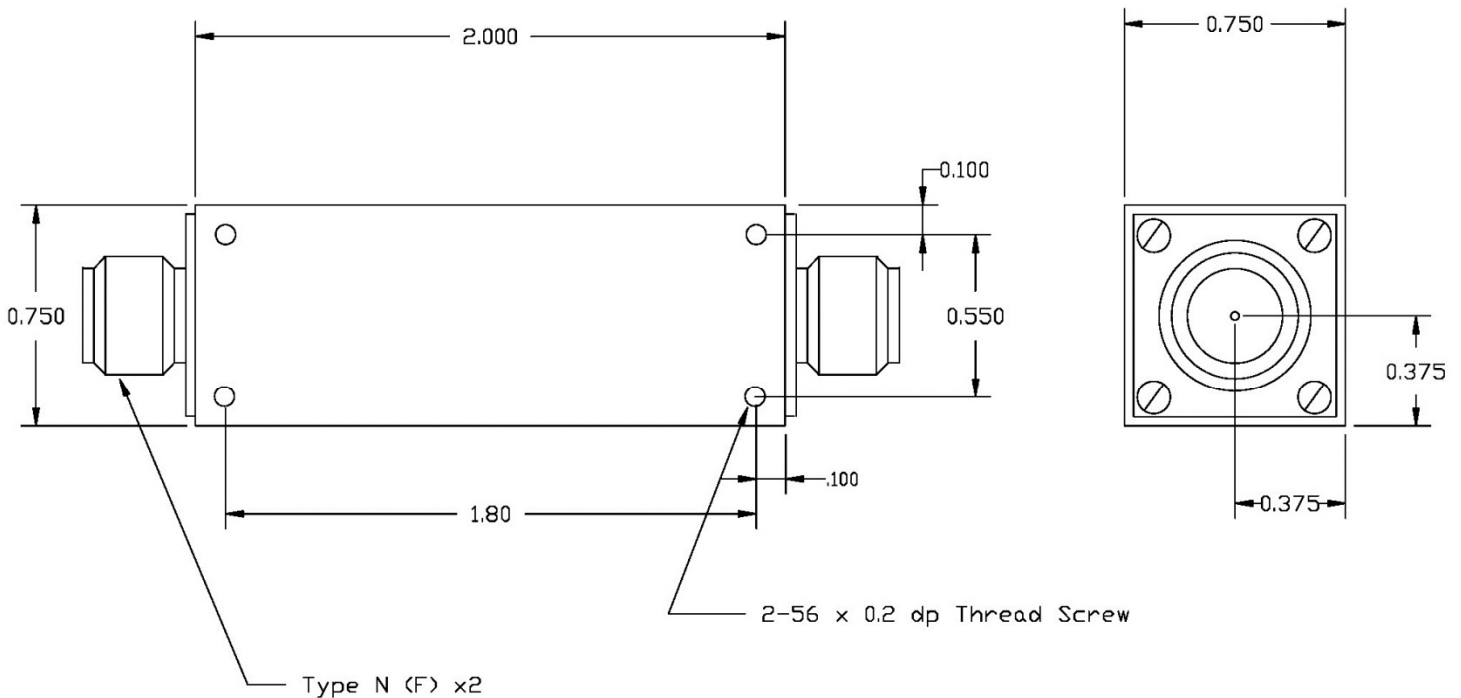
Mechanical

Connector Type: N-Type (F)
Dimensions: 2.0 x 0.75 x 0.75 Inches

Environmental

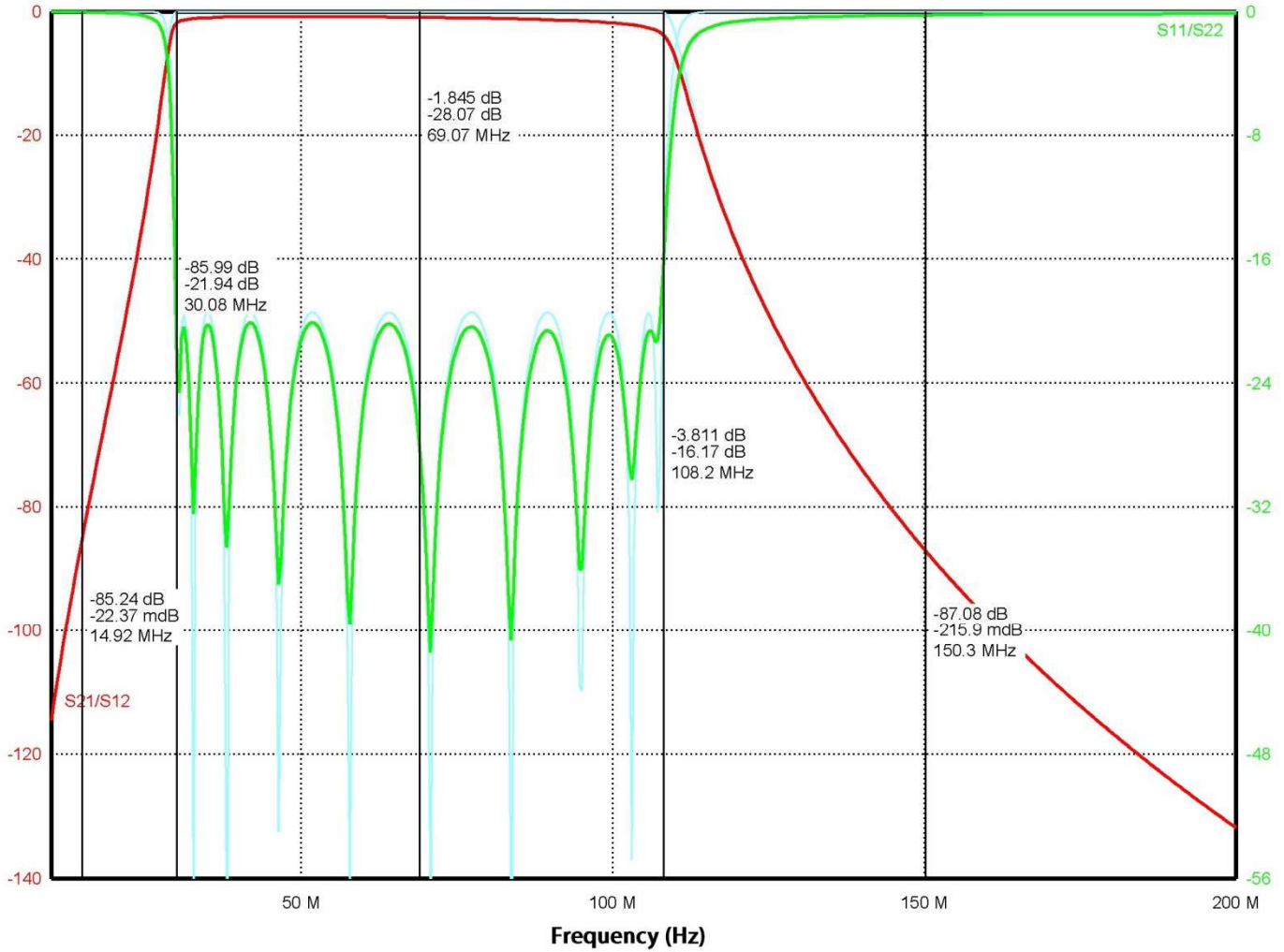
Operating Temperature: -30 to +85° C
Storage Temperature: -40 to +95° C
Shock: 20 G. 11 ms
Vibration: 20 G. 5 to 200 MHz

Outline Drawing:





Response Plot:



Note: This is a simulation plot. Actual results may differ once the product is implemented.