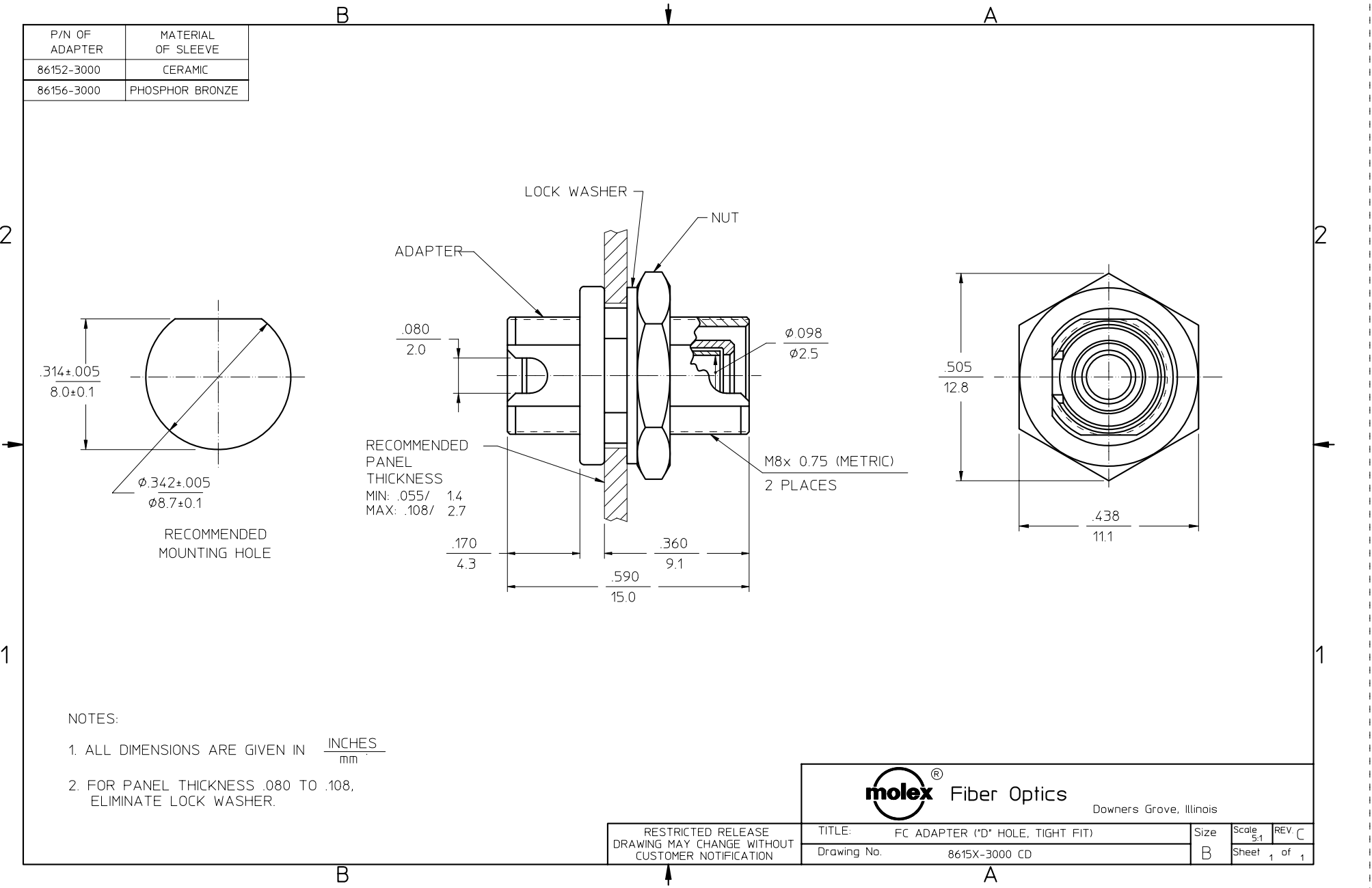



P/N OF ADAPTER	MATERIAL OF SLEEVE
86152-3000	CERAMIC
86156-3000	PHOSPHOR BRONZE



NOTES:

- ALL DIMENSIONS ARE GIVEN IN  $\frac{\text{INCHES}}{\text{mm}}$
- FOR PANEL THICKNESS .080 TO .108, ELIMINATE LOCK WASHER.

RESTRICTED RELEASE  
DRAWING MAY CHANGE WITHOUT  
CUSTOMER NOTIFICATION

 <b>Fiber Optics</b> Downers Grove, Illinois		Size	Scale	REV.
		B	5:1	C
TITLE: FC ADAPTER ('D' HOLE, TIGHT FIT) Drawing No. 8615X-3000 CD		Sheet	1 of 1	