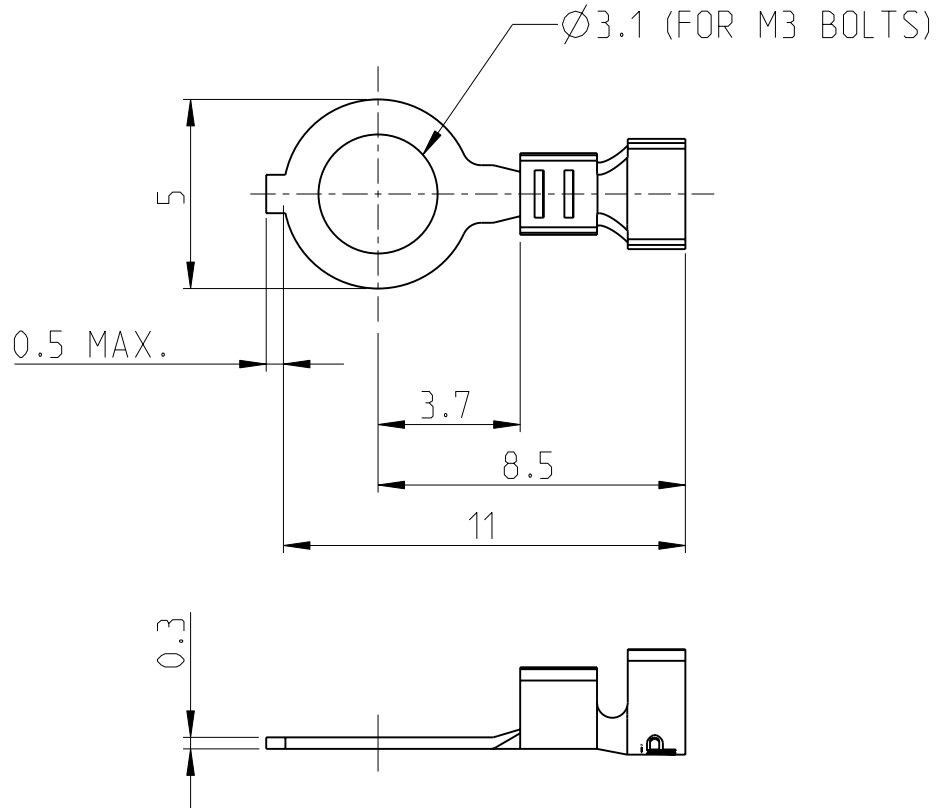


LOC	DIST	REVISIONS					
		P	LTR	DESCRIPTION	DATE	DWN	APVD
IR	-		E1	-3, -4 AND -6 VERSIONS OBSOLETED	22OCT2010	PKS	MP
			E2	ECR-10-026537	09JUN2011	KK	HMR

NOTE:

1. WITH PAPER LAYER.
2. WIRE RANGE: 0.3-0.55 Sq.mm
3. INSULATION DIA. RANGE: 1.3-2.0



OBSOLETE		PRE-TIN	BRASS	160548-6
SUPERSEDED BY 160548-2	SPLICE FREE	PRE-TIN	BRASS	160548-4
SUPERSEDED BY 160548-1	SPLICE FREE		BRASS	160548-3
		PRE-TIN	BRASS	160548-2
			BRASS	160548-1
	NOTES	FINISH	MATERIAL	PART NO


1963

RELEASED FOR PUBLICATION

ALL RIGHTS RESERVED.

THIS DRAWING IS UNPUBLISHED.

© COPYRIGHT 1963

DIMENSIONS: mm	DWN SENTHIL	25-OCT-2010	MATERIAL	SEE TABLE	FINISH	SEE TABLE
	CHK SENTHIL	25-OCT-2010	 TE Connectivity			
TOLERANCES UNLESS OTHERWISE SPECIFIED:	APVD M.PERCHEKE	27-OCT-2010				
	PRODUCT SPEC	-	SIZE	CAGE CODE	DRAWING NO	RESTRICTED TO
0 PLC ±	APPLICATION SPEC	-	A 4	00779	©-160548	-
1 PLC ±	WEIGHT	-	CUSTOMER DRAWING			
2 PLC ±0.02			SCALE	5:1	SHEET	1 OF 1
3 PLC ±0.01			REV E2			
4 PLC ±						
ANGLES ±°						