

1393738-1 ✓ ACTIVE

AMPLIMITE

TE Internal #: 1393738-1

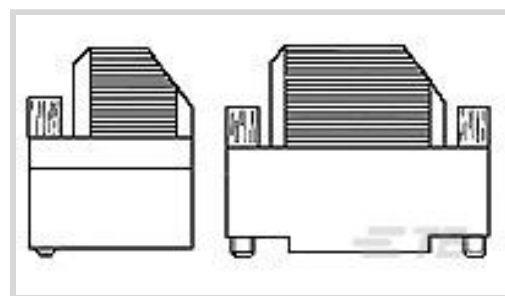
Shielded, Two-Piece RFI/EMI Shield, Thermoplastic, Straight, Shell

Size 1, 9 Position

[View on TE.com >](#)



Connectors > Connector Accessories > Connector Backshells



Connector Backshell Product Style: **Shielded**

Connector Backshell Product Type: **Two-Piece RFI/EMI Shield**

Primary Product Material: **Thermoplastic**

Body Orientation: **Straight**

Compatible With Connector Shell Size: **1**

Features

Product Type Features

Connector Backshell Product Style	Shielded
Connector Backshell Product Type	Two-Piece RFI/EMI Shield

Configuration Features

Number of Positions	9
---------------------	---

Body Features

Primary Product Color	Gray
Primary Product Material	Thermoplastic
Cable Exit Angle	37.5°
Primary Product Plating Material	Nickel over Copper

Mechanical Attachment

Thread Size	14702
-------------	-------

Housing Features

Body Orientation	Straight
Compatible With Connector Shape	D-Shaped

Dimensions

Compatible Insulation Diameter Range	4 – 8 mm [.158 – .315 in]
--------------------------------------	---------------------------

Operation/Application

Compatible With Connector Shell Size	1
--------------------------------------	---



Packaging Features

Packaging Quantity	25
Packaging Method	Box & Tray, Tray

Other

Connector Accessory Comment	Knurled screws, cable bushing (grommet) and contact tube must be ordered separately.
-----------------------------	--

Product Compliance

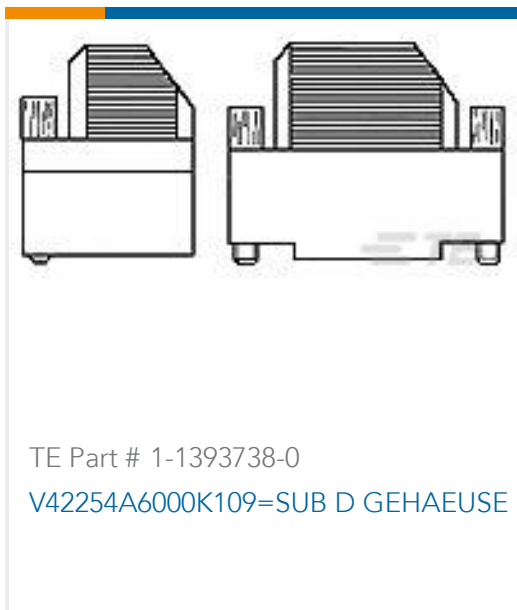
For compliance documentation, visit the product page on [TE.com](#)>

EU RoHS Directive 2011/65/EU	Compliant
EU ELV Directive 2000/53/EC	Compliant
China RoHS 2 Directive MIIT Order No 32, 2016	No Restricted Materials Above Threshold
EU REACH Regulation (EC) No. 1907/2006	Current ECHA Candidate List: JUNE 2023 (235) Candidate List Declared Against: JAN 2023 (233) SVHC > Threshold: Perfluorobutane sulfonic acid (PFBS) and its salts (.16% in Component Part) Article Safe Usage Statements: Do not eat, drink or smoke when using this product. Wash thoroughly after handling. Recycle if possible and dispose of the article by following all applicable governmental regulations relevant to your geographic location.
Halogen Content	Low Bromine/Chlorine - Br and Cl < 900 ppm per homogenous material. Also BFR /CFR/PVC Free
Solder Process Capability	Not applicable for solder process capability

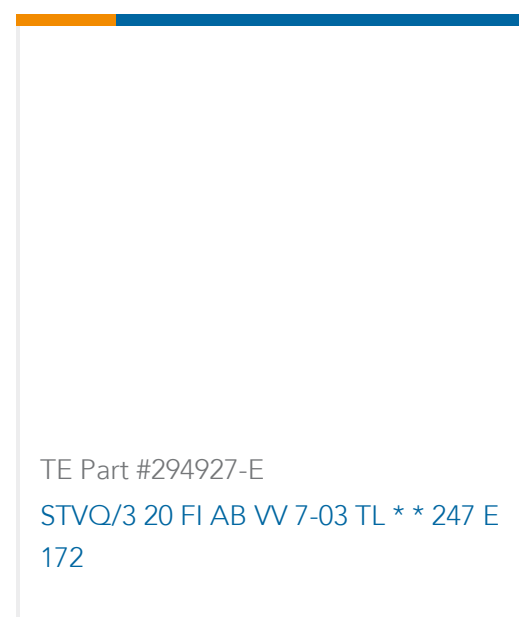
Product Compliance Disclaimer

This information is provided based on reasonable inquiry of our suppliers and represents our current actual knowledge based on the information they provided. This information is subject to change. The part numbers that TE has identified as EU RoHS compliant have a maximum concentration of 0.1% by weight in homogenous materials for lead, hexavalent chromium, mercury, PBB, PBDE, DBP, BBP, DEHP, DIBP, and 0.01% for cadmium, or qualify for an exemption to these limits as defined in the Annexes of Directive 2011/65/EU (RoHS2). Finished electrical and electronic equipment products will be CE marked as required by Directive 2011/65/EU. Components may not be CE marked. Additionally, the part numbers that TE has identified as EU ELV compliant have a maximum concentration of 0.1% by weight in homogenous materials for lead, hexavalent chromium, and mercury, and 0.01% for cadmium, or qualify for an exemption to these limits as defined in the Annexes of Directive 2000/53/EC (ELV). Regarding the REACH Regulation, the information TE provides on SVHC in articles for this part number is based on the latest European Chemicals Agency (ECHA) 'Guidance on requirements for substances in articles' posted at this URL: <https://echa.europa.eu/guidance-documents/guidance-on-reach>

Compatible Parts



Customers Also Bought



Documents

Product Drawings

V42254A6000G109=SUB D GEHAEUSE

English

CAD Files

3D PDF

3D

Customer View Model

[ENG_CVM_CVM_1393738-1_B.2d_dxf.zip](#)

English

Customer View Model

[ENG_CVM_CVM_1393738-1_B.3d_igs.zip](#)

English

Customer View Model

[ENG_CVM_CVM_1393738-1_B.3d_stp.zip](#)

English

By downloading the CAD file I accept and agree to the [Terms and Conditions](#) of use.



Product Environmental Compliance

[MD_1393738-1_121920172155_dmtec](#)

English

[MD_1393738-1_121920172155_dmtec](#)

English

Instruction Sheets

[mounting guideline for d-Sub housings](#)

English

[Instruction Sheet \(U.S.\)](#)

English