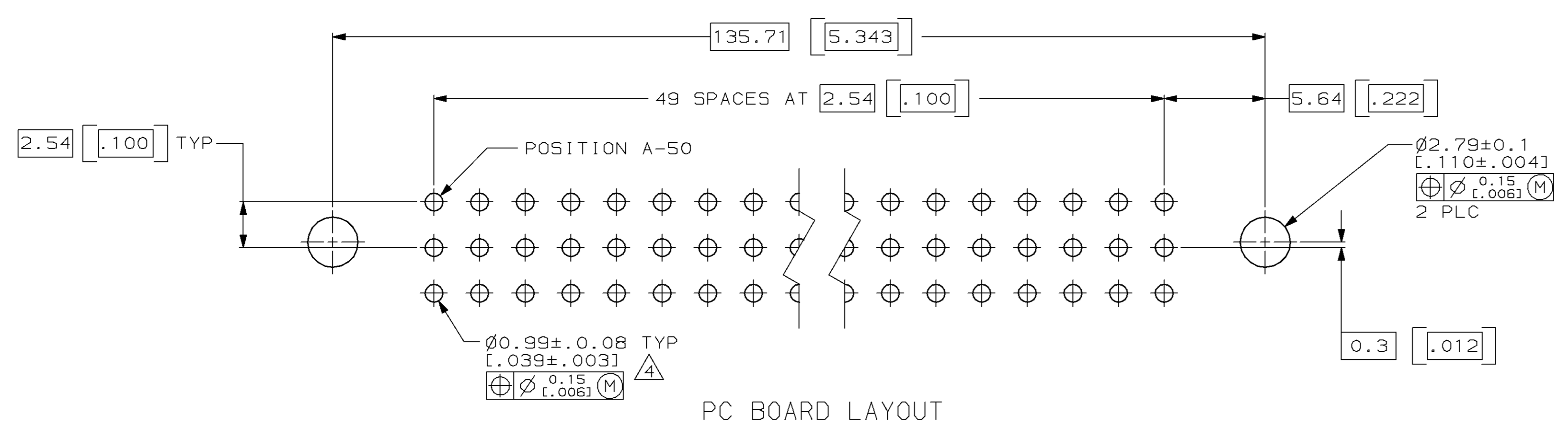
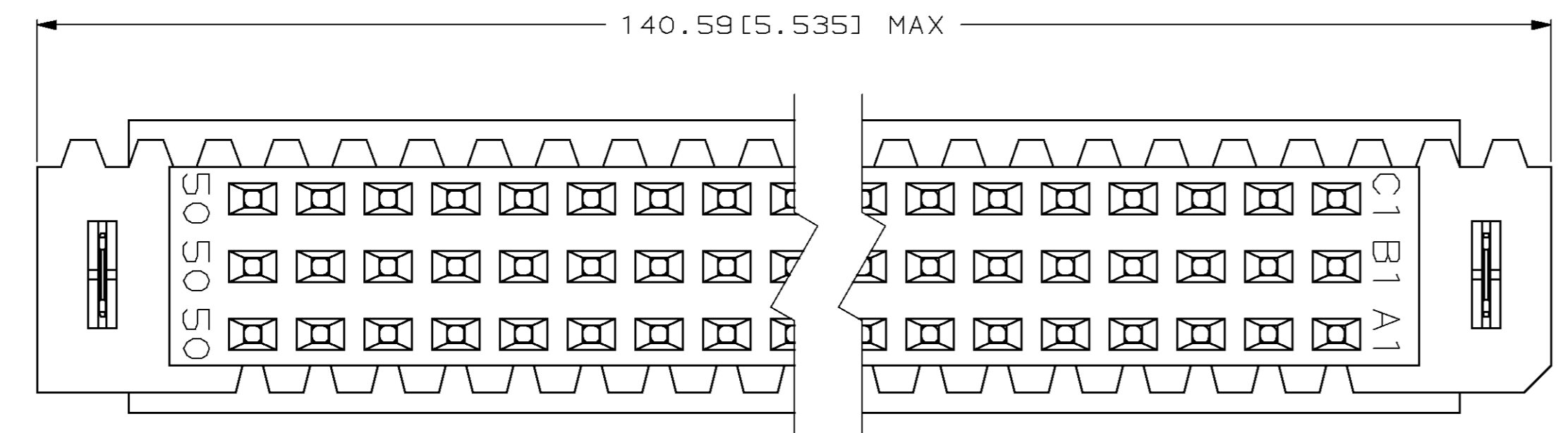
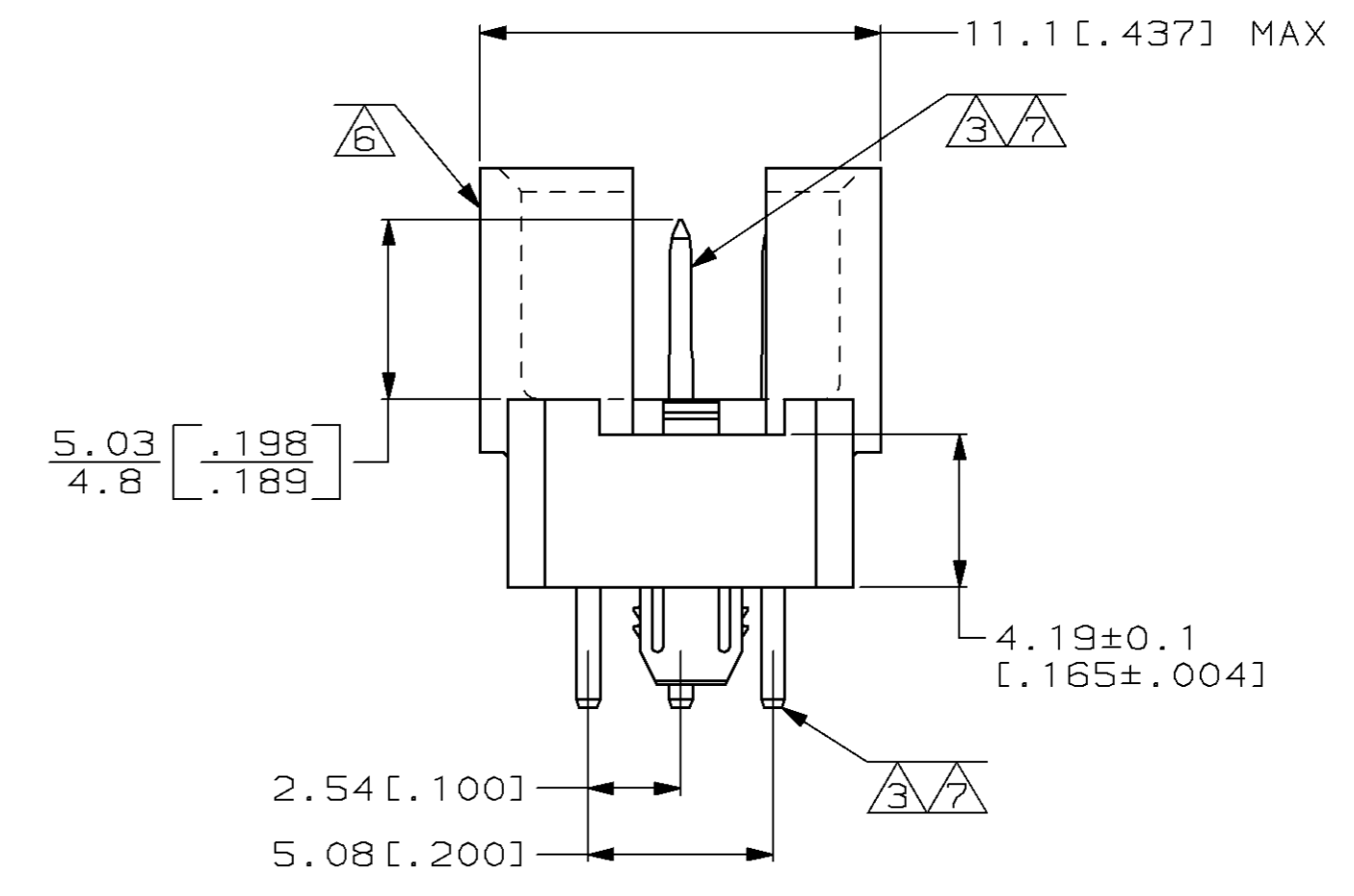
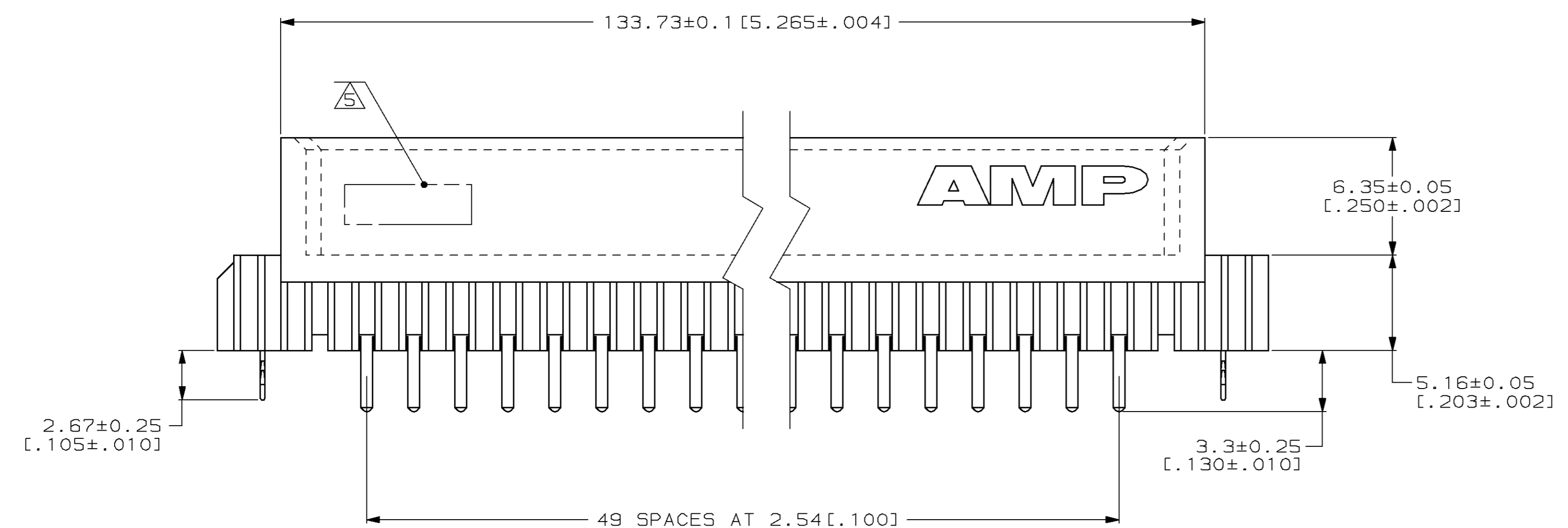
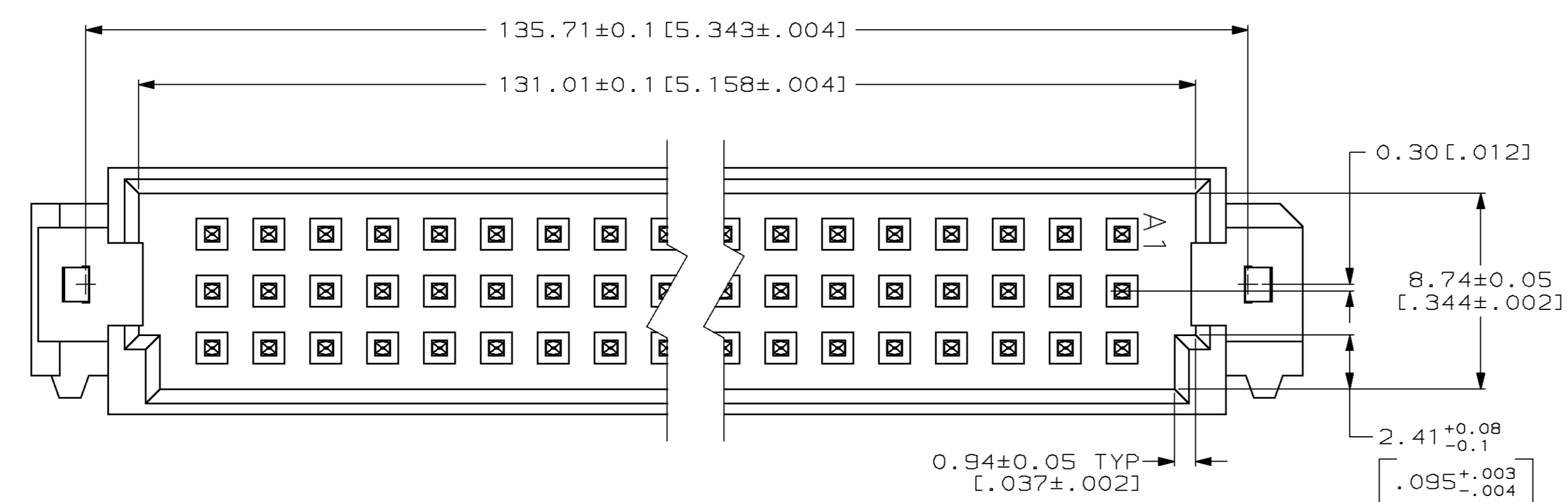


LOC		DIST		P		F		ZONE		LTR		REVISIONS			
AD	25											DESCRIPTION	DATE	APPD	
												A	EC 0504-0087-96	11/18/96	CR

- ① HOUSING MATERIAL: GLASS-FILLED POLYESTER. COLOR: GRAY.
- ② POST MATERIAL: BRASS.
- ③ POST FINISH: DIN 41612 CLASS 2 IN CONTACT AREA. TIN-LEAD PLATE ON POSTS.
- ④ RECOMMENDED HOLE SIZE FOR MANUAL APPLICATION OF CONNECTOR ONTO PC BOARD.
- ⑤ [PART NUMBER, DATE CODE] MARKED THIS APPROXIMATE AREA.
- ⑥ MARKING ON THIS SIDE.
- ⑦ POST FINISH: DIN 41612 CLASS 3 IN CONTACT AREA. TIN-LEAD PLATE ON POSTS.



SUPERSEDED BY 536427-5

REV	DESCRIPTION	C	B	A	NO. OF LOADED POSITION	ASSY PART NUMBER
1	1-50	X	X	X	150	536427-9
2	1-50	X	X	X	150	536427-5

DO NOT SCALE PRINT. UNLESS SPECIFIED DIMENSIONS IN mm [INCHES]		PART NO	
DR L. BRINER 11/21/92	CHK R. PATTERSON 12/11/92	AMP AMP Incorporated Harrisburg, PA 17105-3608	
TOLERANCES ON:	APPD R. PATTERSON 12/11/92		
1 PLC DEC ± -	APPD D.C. RUBENDALL 12/11/92	NAME	
2 PLC DEC ± 0.13(.005)	ANGLES ± -	PIN ASSEMBLY, EUROCARD, TYPE "R" WITH BOARD-LOCKS	
MATERIAL	FINISH	SIZE	CAGE CODE
HSG: ① -	POST: ② -	D	00779
APPLICATION SPEC	WEIGHT -	DRAWING NO	SHEET
SCALE	5:1	③-536427	1 OF 1

THIS DRAWING IS A CONTROLLED DOCUMENT FOR AMP INCORPORATED. IT IS SUBJECT TO CHANGE AND THE CONTROLLING ENGINEERING ORGANIZATION SHOULD BE CONTACTED FOR THE LATEST REVISION.