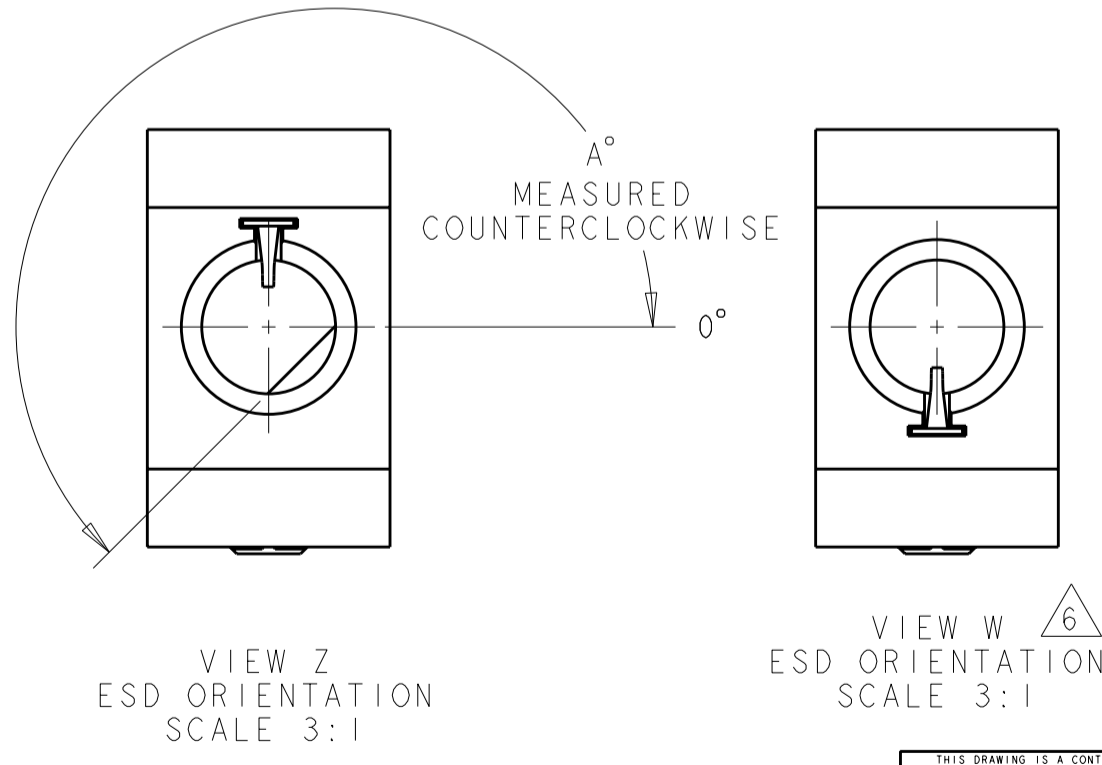
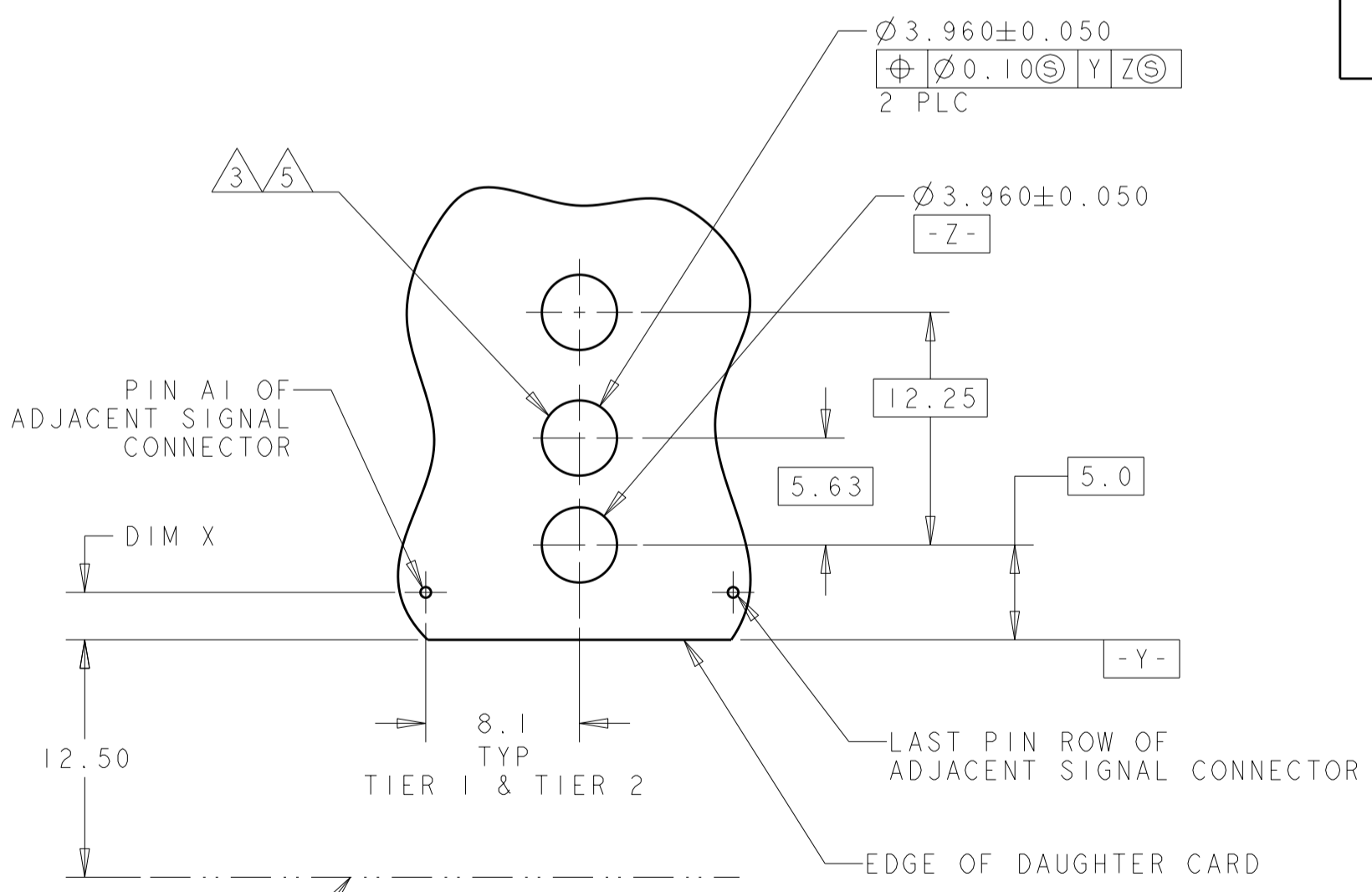
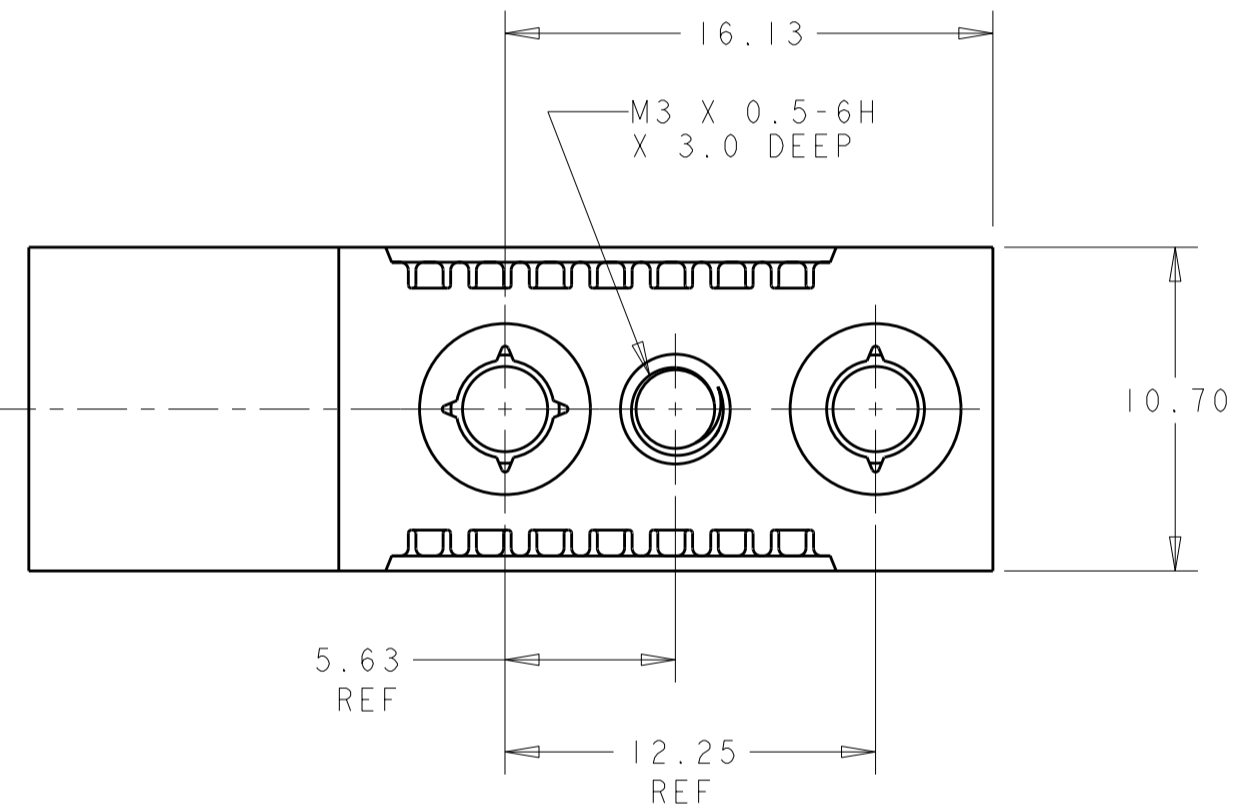
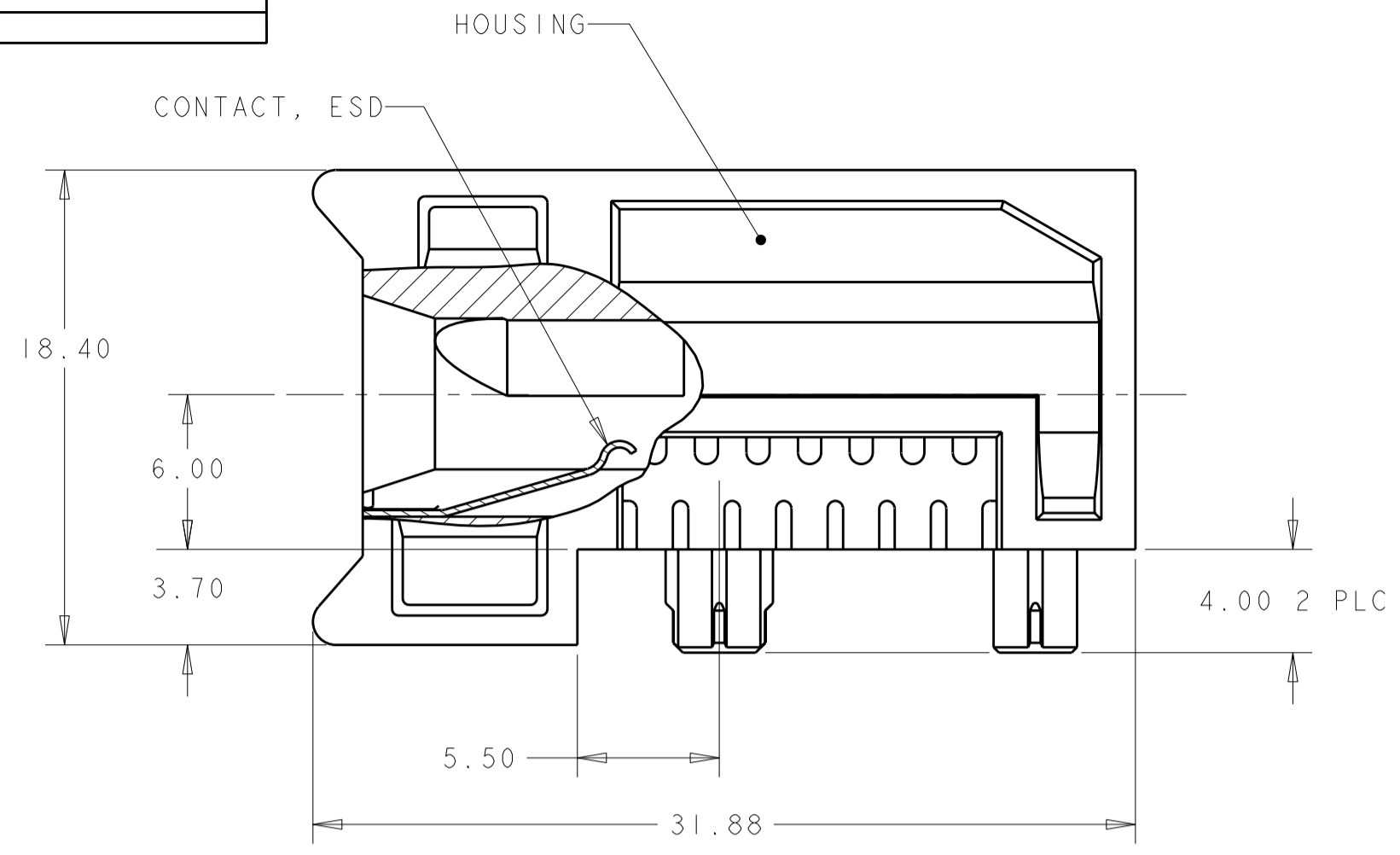
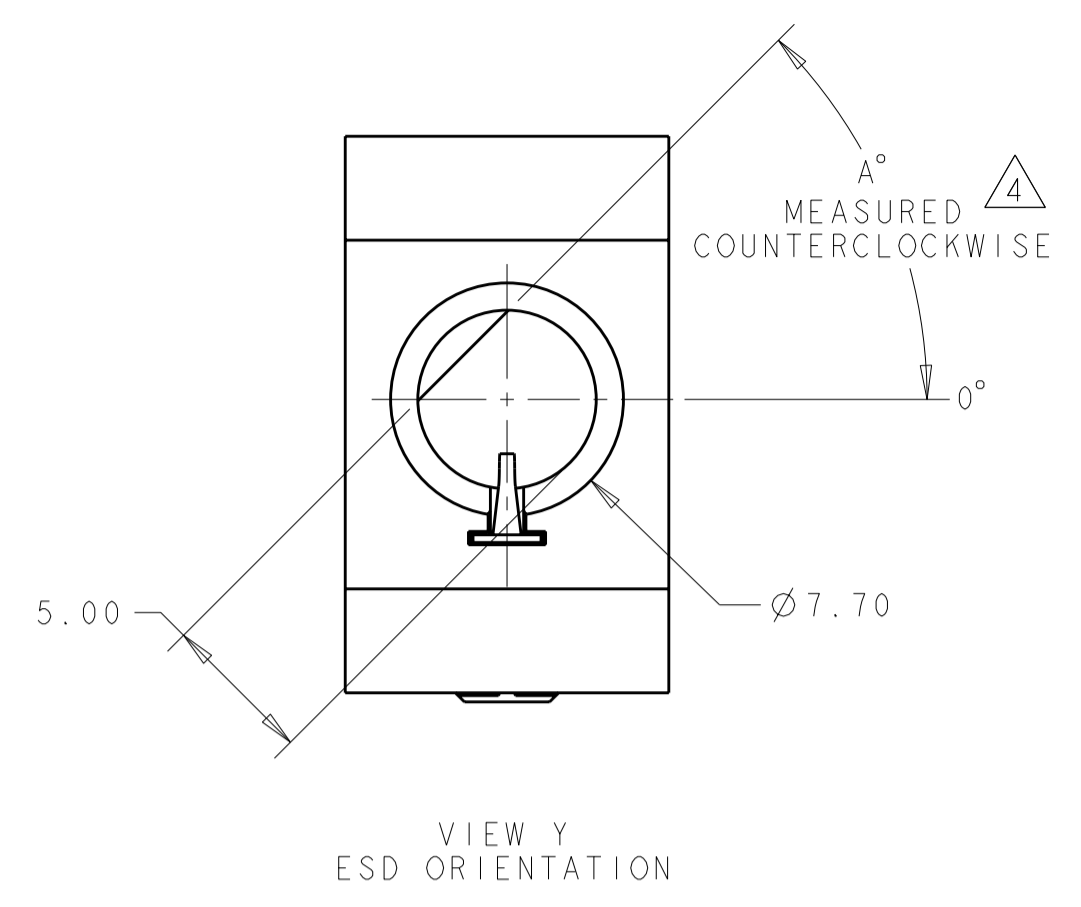


THIS DRAWING IS UNPUBLISHED. RELEASED FOR PUBLICATION 20  
 © COPYRIGHT 20 BY TYCO ELECTRONICS CORPORATION. ALL RIGHTS RESERVED.

LOC	DIST	REVISIONS					
GP	00	P	LTR	DESCRIPTION	DATE	DWN	APVD
		A		REV PER EC 0S12-0206-05	18APR2005	BC	GG
		A1		REV PER ECO-07-018424	04SEP2007	BC	GG
		A2		REVISED PER ECO-10-000445	25JAN2010	KK	HMR



- 1 MATERIAL:  
HOUSING: ZINC ALLOY DIE CASTING, ZAMAK 3  
CONTACT: PHOSPHOR BRONZE
- 2 FINISH:  
HOUSING: CHROMATE CONVERSION COATING  
ESD CONTACT: 1.27µm MINIMUM NICKEL ALL OVER
- 3 HOLE FOR POSITIVE RETENTION SCREW
- 4 DASH NUMBERS INDICATE KEY ORIENTATION  
(P/N 1410297-2 SHOWN ON DRAWING)
- 5 GROUND PAD Ø5mm ON RETENTION HARDWARE SIDE OF PCB
- 6 GUIDE MODULE W/O KEYING,  
GUIDE PIN 1410548-2 & 1410548-3 MUST BE ORIENTED  
TO PROVIDE PROPER ESD PERFORMANCE
- 7 FINISH:  
HOUSING: NICKEL OVER COPPER.  
ESD CONTACT: 1.27µm MINIMUM NICKEL ALL OVER.
- 8
- 9 OBSOLETE PARTS: OBSOLETE CIS STREAMLINING PER  
D.RENAUD/D.SINISI

VIEW	ANGLE	REVISION	DESCRIPTION
VIEW W	6°	7	1-1410297-9
VIEW Y	315°	7	1-1410297-8
VIEW Z	270°	7	1-1410297-7
VIEW Z	225°	7	1-1410297-6
VIEW Z	180°	7	1-1410297-5
VIEW Z	135°	7	1-1410297-4
VIEW Y	90°	7	1-1410297-3
VIEW Y	45°	7	1-1410297-2
VIEW Y	0°	7	1-1410297-1
SUPERSEDED BY		1-1410297-9	VIEW W 6° 2 1410297-9
SUPERSEDED BY		1-1410297-8	VIEW Y 315° 2 1410297-8
SUPERSEDED BY		1-1410297-7	VIEW Z 270° 2 1410297-7
SUPERSEDED BY		1-1410297-6	VIEW Z 225° 2 1410297-6
SUPERSEDED BY		1-1410297-5	VIEW Z 180° 2 1410297-5
SUPERSEDED BY		1-1410297-4	VIEW Z 135° 2 1410297-4
SUPERSEDED BY		1-1410297-3	VIEW Y 90° 2 1410297-3
SUPERSEDED BY		1-1410297-2	VIEW Y 45° 2 1410297-2
SUPERSEDED BY		1-1410297-1	VIEW Y 0° 2 1410297-1
ESD ORIENTATION	A°		PART NUMBER 4

DIM X	TIER 1	TIER 2
2.50		2.25

THIS DRAWING IS A CONTROLLED DOCUMENT FOR TYCO ELECTRONICS CORPORATION. IT IS SUBJECT TO CHANGE AND THE CONTROLLING ENGINEERING ORGANIZATION SHOULD BE CONTACTED FOR THE LATEST REVISION.

DWN: L.SIPE 26OCT2001  
 CHK: D.DEFIBAUGH 26OCT2001  
 APVD: G.GRIFFITH 18APR2005

Tyco Electronics Corporation  
 Harrisburg, PA 17105-3608

NAME: KEY/ESD GUIDE MODULE ASSEMBLY, 20.3mm, MULTIGIG, DAUGHTER CARD

SIZE: A2 CAGE CODE: 00779 DRAWING NO: 1410297 RESTRICTED TO: -

MATERIAL: 1 - FINISH: 2 -

DIMENSIONS: mm TOLERANCES UNLESS OTHERWISE SPECIFIED:  
 0 PLC ±  
 1 PLC ±  
 2 PLC ±0.13  
 3 PLC ±0.013  
 4 PLC ±  
 ANGLES ±  
 FINISH

PRODUCT SPEC: -  
 APPLICATION SPEC: -  
 WEIGHT: -

CUSTOMER DRAWING SCALE: 1:1 SHEET: 1 OF 1 REV: A2