



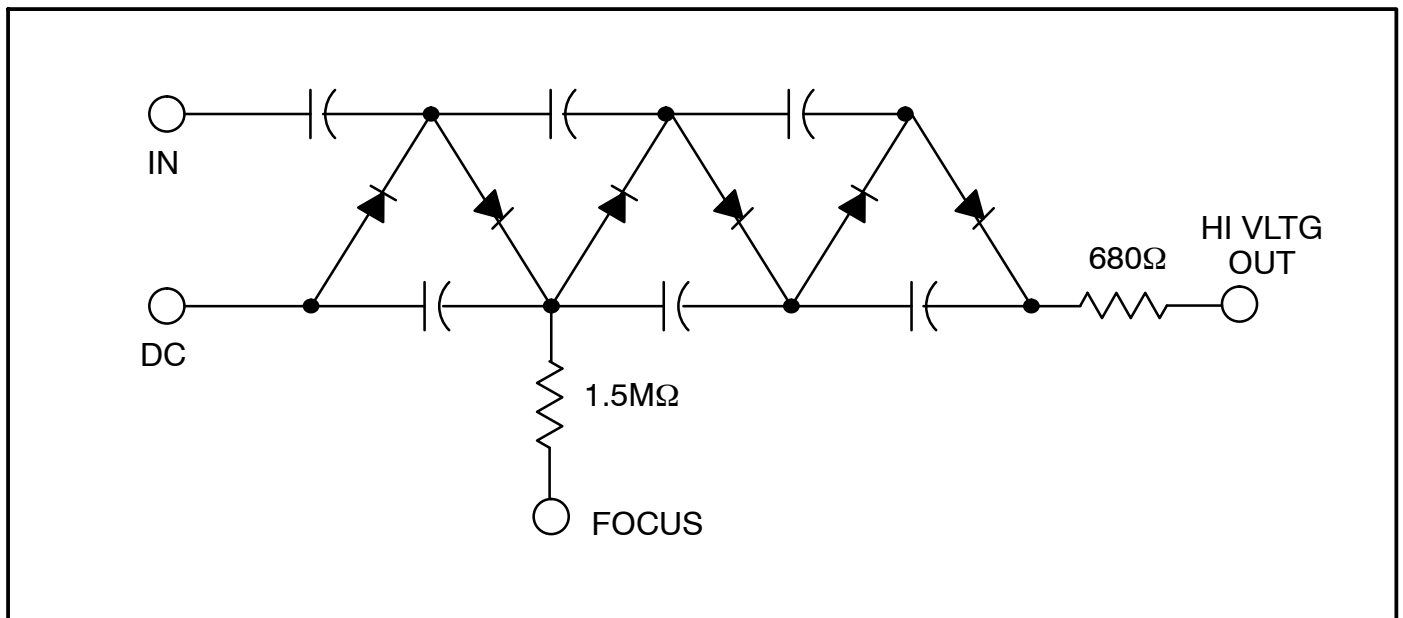
ELECTRONICS, INC.  
44 FARRAND STREET  
BLOOMFIELD, NJ 07003  
(973) 748-5089  
<http://www.nteinc.com>

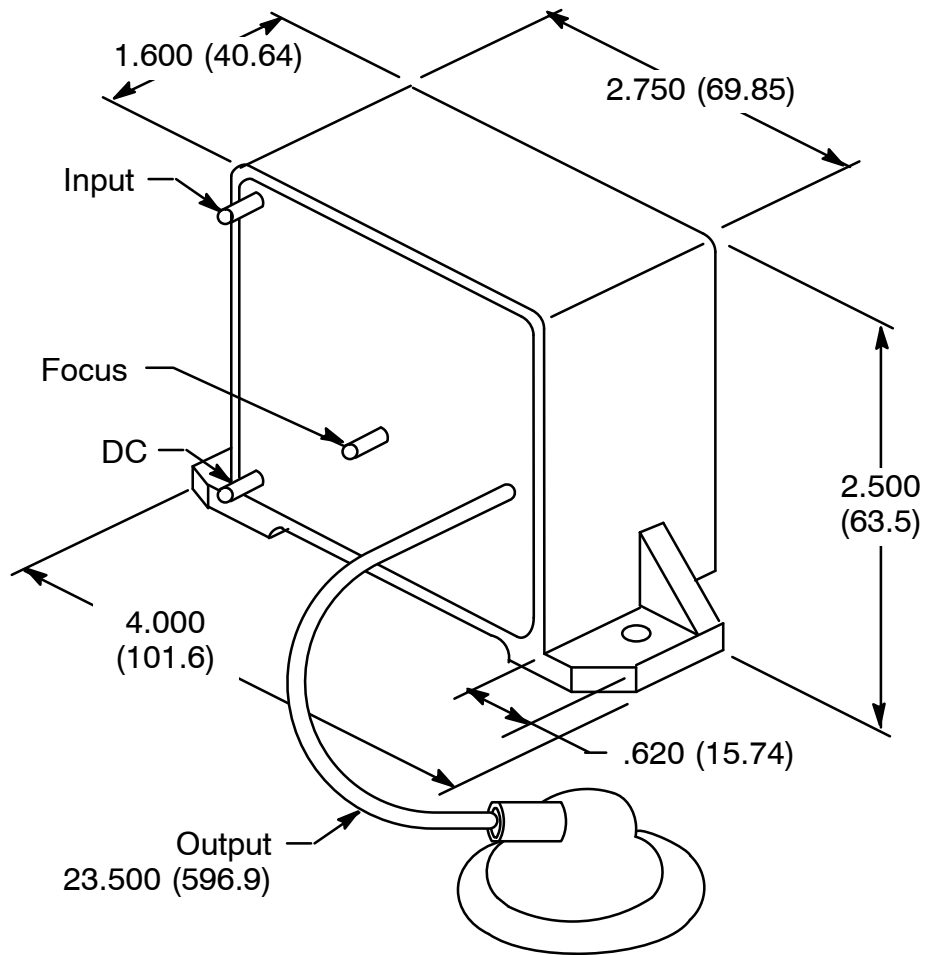
## NTE531 High Voltage Multiplier 6-Step Silicon Tripler w/Resistor to Focus Tap

### Electrical Characteristics:

Input, Peak-to-Peak (No Load) .....	12kV
Maximum Continuous Output (at 2mA, No Load) .....	30kV
Output Lead Length .....	23 inches

### Schematic:





Mounting Holes  
 .190 (4.82) Dia  
 .190 (4.82) x .406 (10.31) Slots  
 3.380 (85.85)  $C_L$  to  $C_L$