

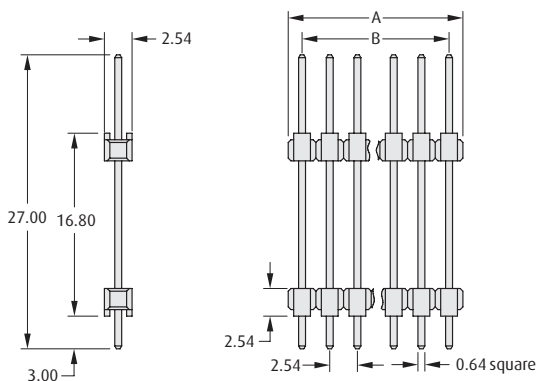
# M20 Connectors

## Male Vertical & Extended PC Tail

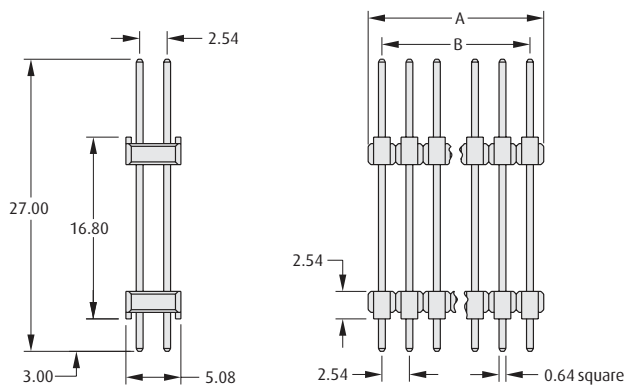
- ❖ Suitable for use with female connectors shown on pages 120 to 126.
- ❖ Unshrouded pin headers can be cut to smaller sizes.
- ❖ Additional Insulator on extended headers giving greater rigidity to ensure pin alignments and controls the board spacing.
- ❖ Contact [technical@harwin.com](mailto:technical@harwin.com) for other size availability.

2.54mm (.100") PITCH

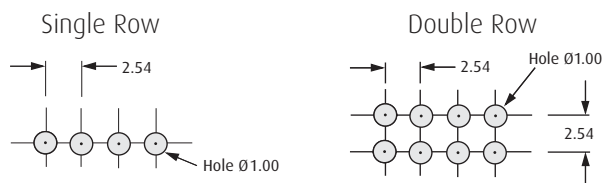
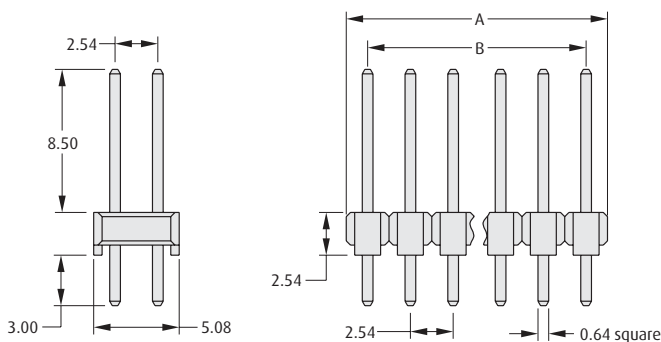
### EXTENDED SINGLE ROW



### EXTENDED DOUBLE ROW



### DOUBLE ROW (For Bottom Entry Sockets)



Recommended PC Board Patterns

CALCULATION	
<b>A</b>	2.54 x No. of ways per row
<b>B</b>	2.54 x (No. of ways per row - 1)

### HOW TO ORDER

**M20 - 9 XX XX XX**

#### SERIES CODE

#### CONNECTOR TYPE

<b>60</b>	Extended Double Row
<b>61</b>	Extended Single Row
<b>97</b>	Vertical Double Row

#### NO. OF WAYS PER ROW

<b>01 to 40</b>	Vertical
<b>02 to 40</b>	Extended

#### FINISH

<b>45</b>	Gold	
<b>46</b>	Tin	

[www.harwin.com](http://www.harwin.com)

All dimensions in mm.



# HARWIN