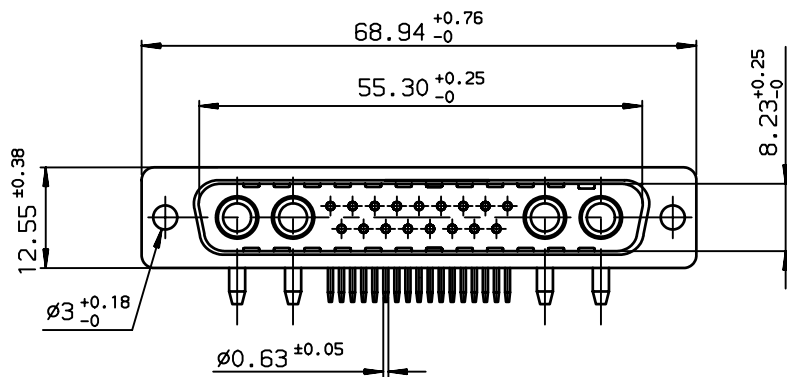
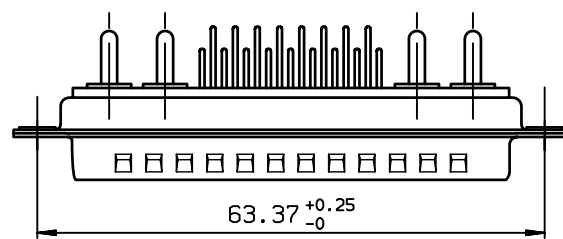


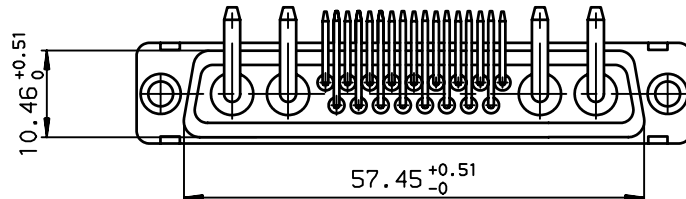
A



B

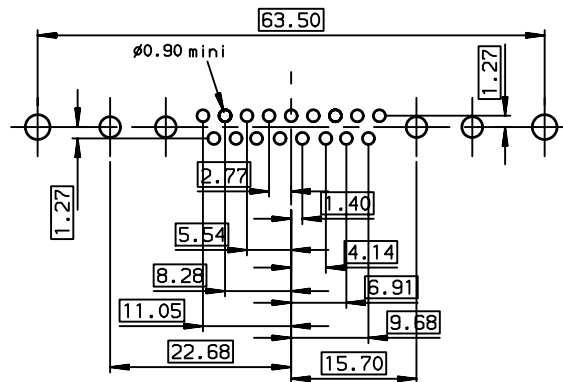


C

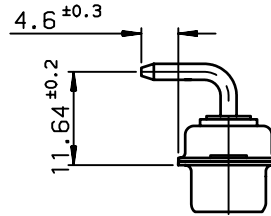


LAYOUT DIMENSIONS (after plating)  
CONNECTOR SIDE VIEW

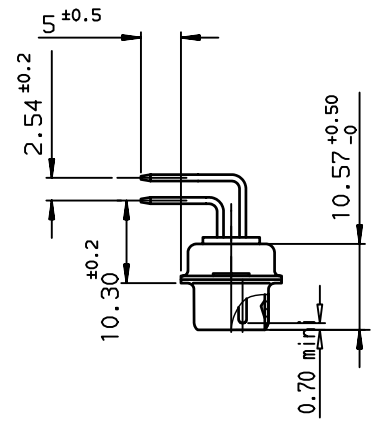
D



VIEW WITH POWERS CONTACTS



VIEW WITHOUT POWERS CONTACTS



TIN LEAD PART NUMBER

DC21WA4P500A30
DC21WA4P500A40
PART NUMBER

LEAD FREE PART NUMBER

DC21WA4P500A30LF
DC21WA4P500A40LF
PART NUMBER

GENERAL CHARACTERISTICS AND ROHS INFORMATIONS:  
SEE DRAWING C01-8639-0001

European Views

www.fciconnect.com		surface ISO 1302 ✓	tolerance std ISO 406 ISO 1101	projection mm	size A3	Scale 1.5
TOLERANCES UNLESS OTHERWISE SPECIFIED						
Dr	JARRY	2001/01/24	ANGULAR	0.X ±0.1	ECN L506-0095	
Eng	PESSON	2001/01/24	LINEAR	0.XX ±0.1	Spec ref -	
Chr	LEGARE	2001/01/24	0.XX' ±2'	0.XXX ±0.1		
Appr	LEGARE	2001/01/24	Product family		D-SUB	
FCI			PINS CONNECTORS RIGHT ANGLED			Rev. D
title WITH POWERS CONTACTS			dwg no C01-8639-1845			
catalog no			CUSTOMER			sheet 1 of 1

rev	ecn no	dr	date
B	-	DEB	2003/10/01
C	L505-001	MPE	2005/03/09
D	L506-0095	LGO	2006/06/28
-	-	-	-
-	-	-	-
-	-	-	-



Copyright FCI.