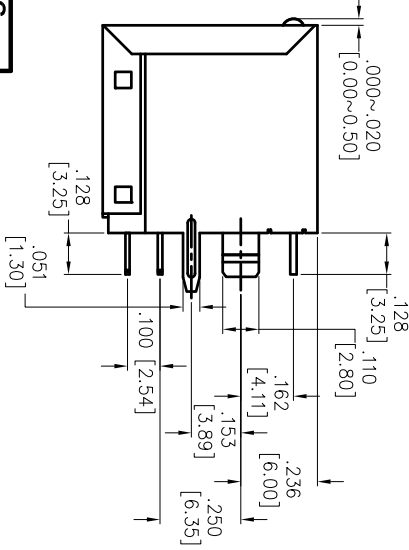
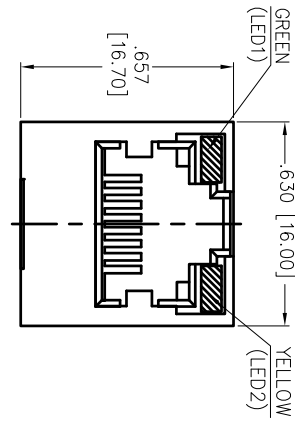
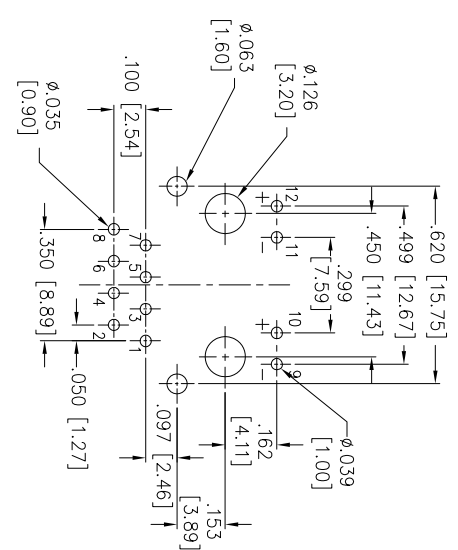
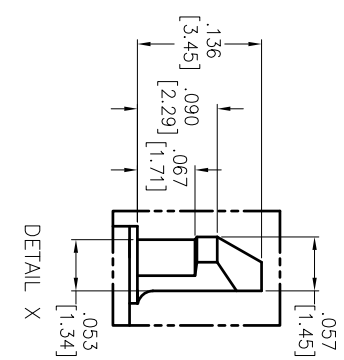
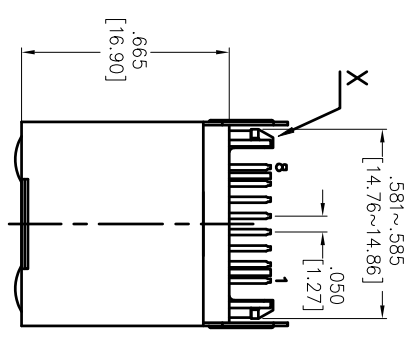


Rev	AWO #	Description	Date	Appr
-		RELEASED	10/8/14	

APPROVED: _____
 DATE: _____ TITLE: _____



X	PLATING
0	15 µin Gold
1	30 µin Gold
2	50 µin Gold

SPECIFICATIONS:
 Material: PBT, glass fiber, rated UL 94V-0
 Insulator color: Black
 Contacts: Phosphor Bronze
 Shield: Copper Alloy, nickel plated
 Plating:
 Gold over Nickel underplate on contact area,
 Tin over Copper underplate on PCB tails
 Electrical:
 Operating voltage: 150 VAC max
 Current rating: 1.5 Amps max
 Contact resistance: 20 mohms max
 Insulation resistance: 500 Mohms min @ 500 VDC
 Dielectric withstanding voltage: 1000 VAC for 1 minute
 Temperature Rating:
 Operating temperature: -40°C to +85°C
 Environmental:
 Lead free, RoHS compliant.



ADAM TECH

909 Railway Avenue, Union, NJ 07083
 Phone: 908-687-5000 Fax: 908-687-5710

TITLE: MODULAR TELEPHONE JACK, 8P8C, VERTICAL
 FULL SHIELD/WLED1 GREEN, LED2 YELLOW

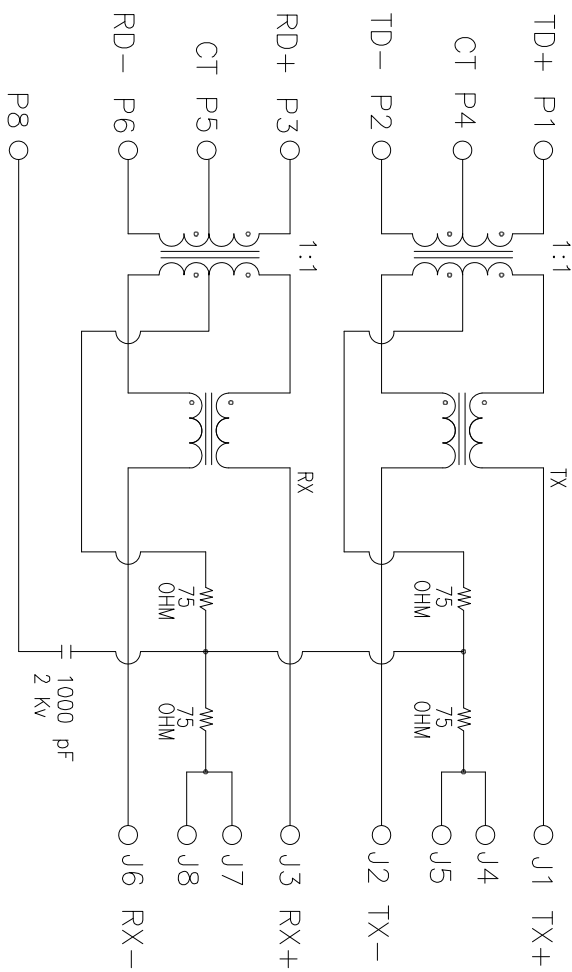
UNLESS OTHERWISE SPECIFIED ALL DIMENSIONS ARE INCHES [MM] TOLERANCES: EXCEPT AS NOTED INCHES	HOLE SIZES	DATE	SIZE	PART NO.	SCALE	SHEET
.X ± .10	ØX ± .015	10/8/14	X	MTJ-88AX1-FSN-LHM4S	NTS	1 OF 2
.XX ± .020	ØXXX ± .010	10/8/14				
.XXX ± .015	ØXXXX					
APPROVALS						
DRAWN AY		10/8/14				
CHECKED LW		10/8/14				
APPROVED						

Rev	AWO #	Description	Date	Appr
		SEE SHT 1 OF 2 FOR REVISION		

APPROVED: _____

DATE: _____ TITLE: _____

CONNECTOR SOLDER SIDE RJ45
CONTACT SIDE



CONNECTOR SCHEMATIC

ELECTRICAL CHARACTERISTICS

TEST NOTES: (25±5°C)

- TR: (100KHz, 0.1V):
PINS:(1-2):(J1-J2)=1CT:1CT±3%;
PINS:(3-6):(J3-J6)=1CT:1CT±3%;
- LX: (100KHz, 100mV, 8mA, DC Bias)
PINS: (1,2),(3,6)=350uH MINIMUM
- DCR:
PINS: (1-2),(J1-J2),(J3-J6)=1.0 OHMS MAXIMUM.
PINS: (5-6)=1.2 OHMS MAXIMUM.
- INSERTION LOSS:
-1.0dB MAXIMUM AT 1MHZ TO 100MHZ
- RETURN LOSS:
-20dB MINIMUM AT 1MHZ TO 30MHZ
-13dB MINIMUM AT 30MHZ TO 60MHZ
-10dB MINIMUM AT 60MHZ TO 100MHZ
- CROSS TALK:
-30dB MINIMUM AT 1MHZ TO 100MHZ
-30dB MINIMUM AT 1MHZ TO 100MHZ
- COMMON TO COMMON MODE REJECTION:
-30dB MINIMUM AT 1MHZ TO 100MHZ

ADAM TECH

909 Rahway Avenue, Union, NJ 07083
Phone: 908-687-5000 Fax: 908-687-5710

TITLE: MODULAR TELEPHONE JACK, 8P8C, VERTICAL
FULL SHIELD/WLED1 GREEN, LED2 YELLOW

UNLESS OTHERWISE SPECIFIED ALL DIMENSIONS ARE INCHES [MM]		TOLERANCES EXCEPT AS NOTED	
.X	±.10	ØX	±.10
.XX	±.020	ØXX	±.015
.XXX	±.015	ØXXX	±.010
APPROVALS		DATE	
DRAWN	AY	10/8/14	
CHECKED	LW	10/8/14	
APPROVED			
REF: S00065T	SCALE: NTS	SHEET 2 OF 2	