

THIS DRAWING IS UNPUBLISHED.

RELEASED FOR PUBLICATION

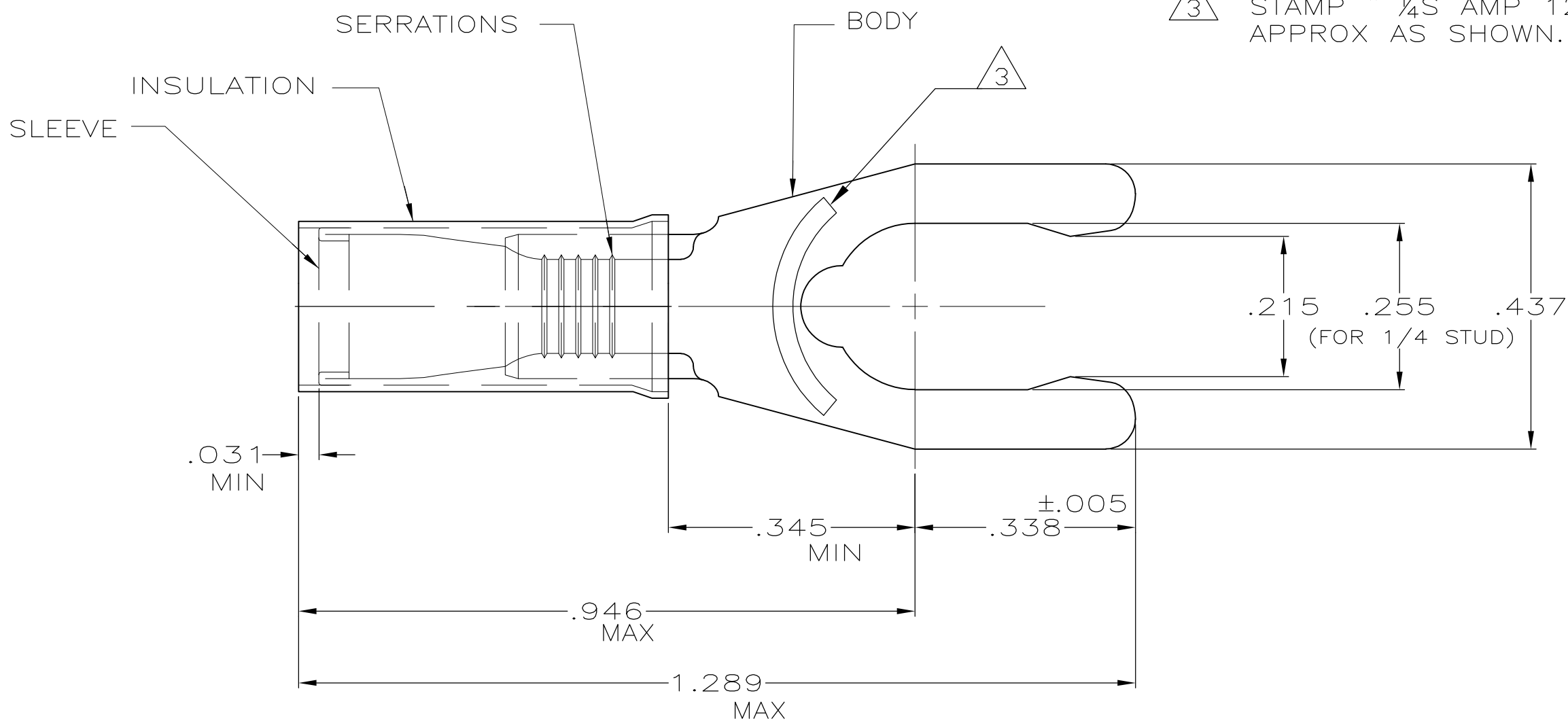
© COPYRIGHT BY TYCO ELECTRONICS CORPORATION.

ALL INTERNATIONAL RIGHTS RESERVED.

LOC G	DIST 14	REVISIONS			
P	LTR	DESCRIPTION	DATE	DWN	APVD
	N1	REV PER ECR 10-013673	29JUN10	JR	TM

AMP WIRE RANGE	Listed	LR7189 Certified
12-10 AWG SOLID OR STRANDED	12-10 AWG SOLID OR STRANDED	12-10 AWG SOLID OR STRANDED

- 1 FOR WIRE INSULATION DIA (SEE TABLE).
- 2 TONGUE MATERIAL THK IS .0385±.002
- 3 STAMP " ¼S AMP 12-10*", LOCATED APPROX AS SHOWN.



.235 MIN	WIRE TERMINAL ON TAPE	52433-3	INSULATION: NYLON, COLOR: YELLOW SLEEVE: COPPER PER ASTM B-152
.253 MIN	WIRE TERMINAL	52433-1	BODY: PHOS. BRONZE PER ASTM B-103 TIN PLATE PER ASTM B-545
WIRE INS. DIA	DESCRIPTION	PART NO.	MATERIAL & FINISH
THIS DRAWING IS A CONTROLLED DOCUMENT.		DWN JR RUTH 06MAR01	Tyco Electronics Corporation Harrisburg, PA 17105-3608
DIMENSIONS: INCHES		CHK MS FEHER 06MAR01	
TOLERANCES UNLESS OTHERWISE SPECIFIED:		APVD T MICHELUTTI 06MAR01	NAME WIRE TERMINAL, PIDG, SPRING SPADE, 12-10 AWG
		PRODUCT SPEC	
0 PLC ± - 1 PLC ± - 2 PLC ± - 3 PLC ± .008 4 PLC ± - ANGLES ±5°		APPLICATION SPEC	
MATERIAL SEE TABLE	FINISH SEE TABLE	WEIGHT -	SIZE A3
		CAGE CODE 00779	DRAWING NO G-52433
		RESTRICTED TO -	
CUSTOMER DRAWING		SCALE 5:1	SHEET 1 OF 1
		REV N1	