

04010SS

DC Axial Fan Sleeve Bearing

40[□]X10^L



General Specifications

Motor Protection Auto Restart / Polarity Protection
Insulation Resistance 10M Ω or over with a DC500V Megger

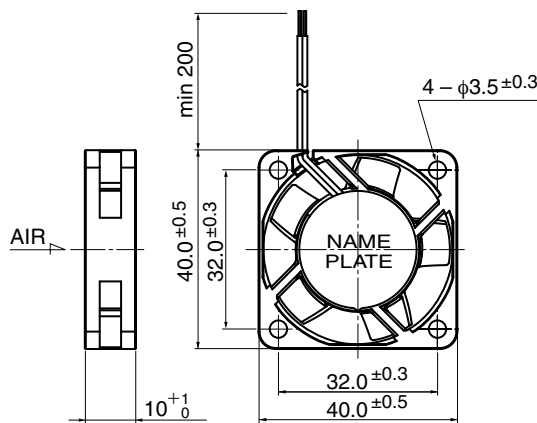
Dielectric Withstand Voltage : AC700V 1s

Allowable Ambient : - 10 $^{\circ}$ C ~ +70 $^{\circ}$ C (Operating)
Temperature Range - 40 $^{\circ}$ C ~ +70 $^{\circ}$ C (Storage)
non-condensing environment

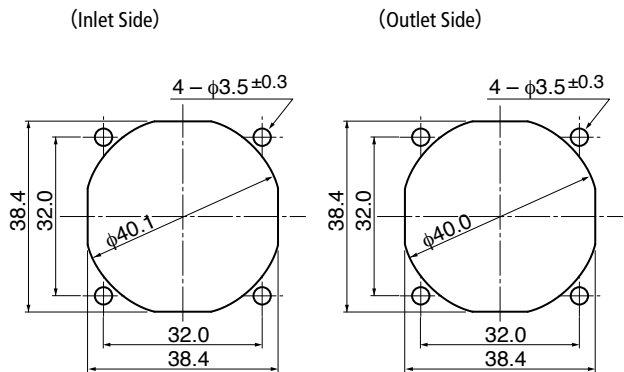
Expected Life ※ Failure Rate: 10% (L10 Life)

40 $^{\circ}$ C 30,000 (Hours)

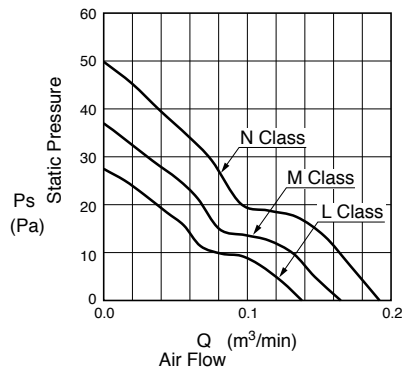
Outline



Panel Out-cuts



Characteristic Curves



Material

Casing : Plastic (Black) UL94V-0
Impeller : Plastic (Black) UL94V-0
Bearing : Sleeve Bearing
Lead Wire : UL1061 AWG26 + : Red, - : Black

Specifications

Model	Product No.	Rating Voltage	Operating Voltage	Current	Input Power	Speed	Max. Air Flow		Max. Static Pressure		Noise	Mass
		(V)	(V)				(m ³ /min) ^{*1}	(CFM) ^{*1}	(Pa) ^{*1}	(In H ₂ O) ^{*1}		
04010SS-05L-AA-	00	5	4.5 ~ 5.5	0.09	0.45	5500	0.14	4.9	27.5	0.11	21.0	16
04010SS-05M-AA-	00			0.13	0.65	6500	0.16	5.6	37.0	0.15	24.0	
04010SS-05N-AA-	00			0.17	0.85	7500	0.19	6.7	50.0	0.20	29.0	
04010SS-12L-AA-	00	12	10.2 ~ 13.8	0.033	0.40	5500	0.14	4.9	27.5	0.11	21.0	
04010SS-12M-AA-	00			0.050	0.60	6500	0.16	5.6	37.0	0.15	24.0	
04010SS-12N-AA-	00			0.059	0.71	7500	0.19	6.7	50.0	0.20	29.0	
04010SS-24L-AA-	00	24	20.0 ~ 26.4	0.024	0.58	5500	0.14	4.9	27.5	0.11	21.0	
04010SS-24M-AA-	00			0.029	0.70	6500	0.16	5.6	37.0	0.15	24.0	
04010SS-24N-AA-	00			0.046	1.10	7500	0.19	6.7	50.0	0.20	29.0	

Rotation: Clockwise as seen from the label side
Airflow Outlet: Label side

*1: Average Values in Free Air