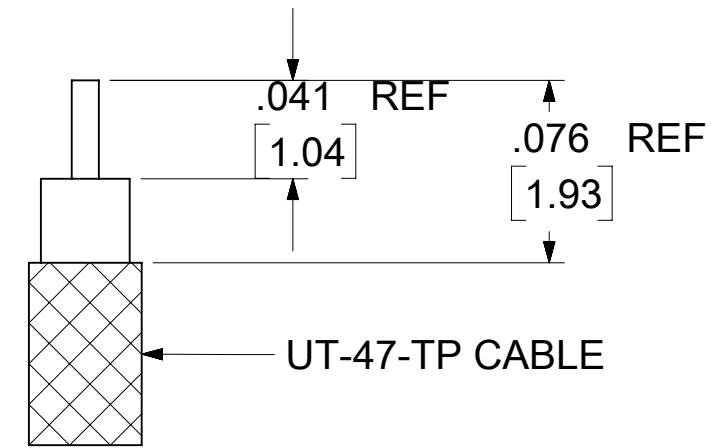
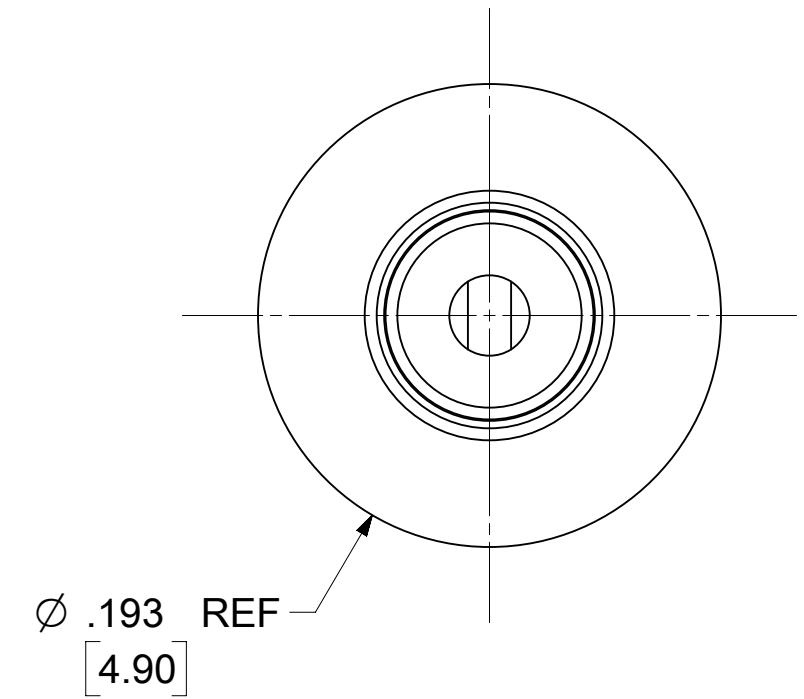
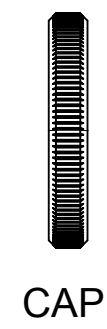
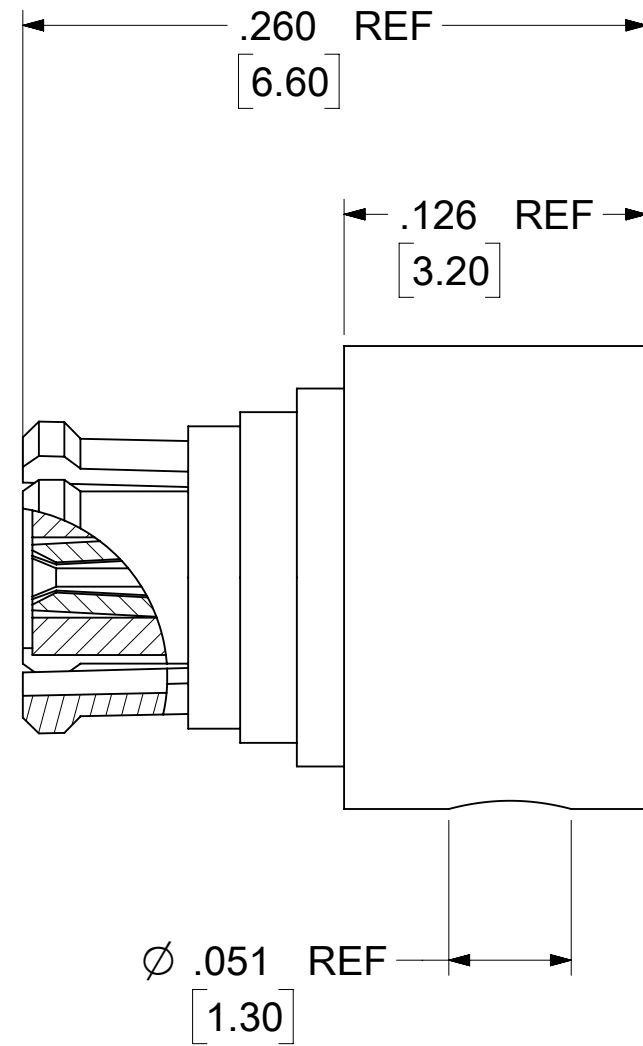
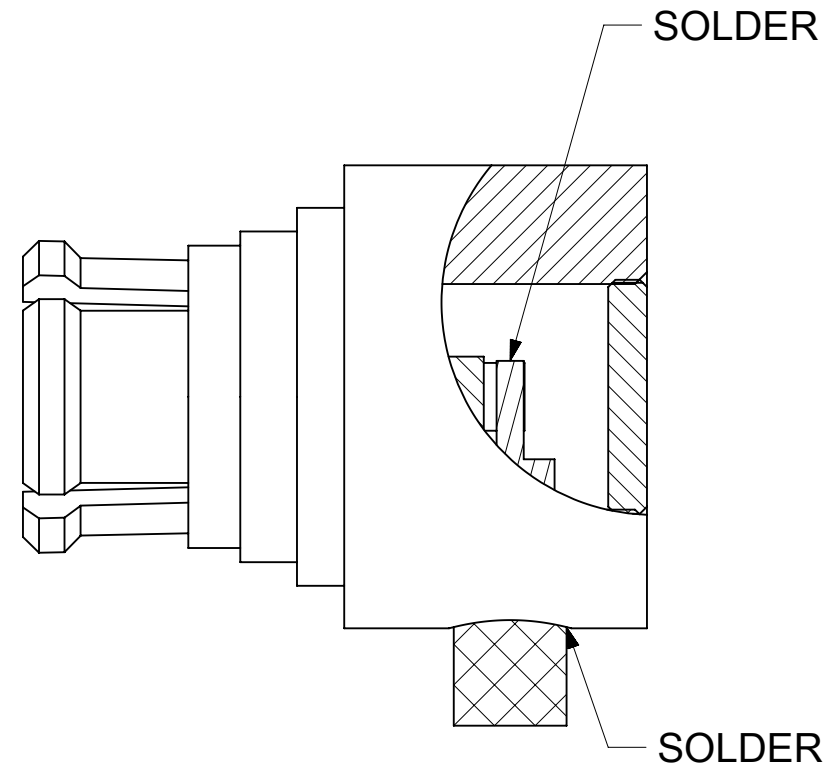
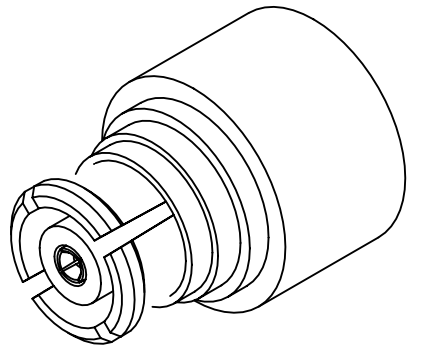


MATERIALS AND FINISHES:

BODY, CENTER CONTACT: BERYLLIUM COPPER  
PLATED GOLD

INSULATOR: PTFE

CLIP, CAP: BRASS  
PLATED GOLD



CABLE PREP DIMENSION

LABEL FORMAT FOR  
73415-3721

PART NUMBER: 73415-3720  
ORDER NUMBER: 73415-3721  
MOLEX  
DATE: YYWW

73415-3721	73415-3720 ONE PER BAG	895420470
73415-3720	73415-3720 TRAY	895420040
PART NO.	DESCRIPTION	PACKING SPEC

MIL-STD-348A, FIG. 326.1	INTERFACE
SPECIFICATION	DESCRIPTION

THIS DRAWING CONTAINS INFORMATION THAT IS PROPRIETARY TO MOLEX ELECTRONIC TECHNOLOGIES, LLC AND SHOULD NOT BE USED WITHOUT WRITTEN PERMISSION										
DIMENSION UNITS <b>INCH/MM</b>	SCALE <b>NTS</b>	CURRENT REV DESC: ADD 73415-3721 PER EWR #15321-B			<b>molex</b>					
GENERAL TOLERANCES (UNLESS SPECIFIED)		EC NO: 719075								
ANGULAR TOL ± 2.0°	4 PLACES ±	DRWN: RYEH	2022/08/12	SMP JACK, UT-47-TP CABLE R/A EWR-1490 SMP-JC						
3 PLACES ±	2 PLACES ±	CHK'D: YCHENG	2022/08/29							
1 PLACE ±	0 PLACES ±	APPR: YCHENG	2022/08/29	PRODUCT CUSTOMER DRAWING						
DRAFT WHERE APPLICABLE MUST REMAIN WITHIN DIMENSIONS		THIRD ANGLE PROJECTION		DRAWING <b>C-SIZE</b>	SERIES <b>73415</b>	DOCUMENT NUMBER <b>SD-73415-372</b>		DOC TYPE <b>PSD</b>	DOC PART <b>001</b>	REVISION <b>A2</b>
				MATERIAL NUMBER SEE TABLE	CUSTOMER GENERAL MARKET		SHEET NUMBER 1 OF 1			

DOCUMENT STATUS	P1	RELEASE DATE	2022/08/29	06:23:01
-----------------	----	--------------	------------	----------