

DIMENSIONS FOR PCB (CONNECTOR MOUNTING SIDE)  
プリント基板取付寸法 (コネクタ搭載側)

- PART NO OF PLUG HOUSINGS TO BE MATED ; SEE TABLE-1.
- POWER CIRCUITS ; SEE FIG 1.
- CIRCUIT NUMBERS ; SEE FIG 1.
- RECOMMENDED SCREW ; PAN-HEADED, TYPE 2 TAPPING SCREW, NOMINAL DIAMETER 3mm LENGTH; SEE TABLE-2 (JIS B1115, B1122).
- FASTENING TORQUE FOR SCREW ; 0.392N·m MAX.
- MEASURED AT 2mm FROM [Z]
- MEASURED AT 7.5mm FROM [Z]
- MARKING FOR DISCERNMENT OF THE CONTACT FINISH ; SEE TABLE.
- INSTRUCTION SHEET NO ; 411-5932.
- DETAIL OF TERMINALS TO BE MATED ; SEE TABLE-2.
- ID MARK, PART NUMBER INDICATED
- COLOR OF TINE PLATE IS BLACK

TABLE-1

POS 極数	FEMALE HSG メスワウジング	
	0.64 (025)	0.64111
34	1123337	1674925
35	1123338	1674558
32	1123339	1674922
33	1473651	1827617
35	1123340	1674928
31	1123341	1674919

TABLE-2

プリント基板厚 (mm)	1.2	1.6
THICKNESS OF PCB (mm)		
固定用ねじ下長 (mm)	5	6
NOMINAL LENGTH OF SCREW (mm)		

TABLE-3

PLC	0-PLC	1-PLC	2-PLC	3-PLC	4-PLC	5-PLC
公差	±0.3	±0.5	±0.5	±0.5	±0.5	±0.5
公差	±0.3	±0.5	±0.5	±0.5	±0.5	±0.5
公差	±0.3	±0.5	±0.5	±0.5	±0.5	±0.5
公差	±0.3	±0.5	±0.5	±0.5	±0.5	±0.5
公差	±0.3	±0.5	±0.5	±0.5	±0.5	±0.5
公差	±0.3	±0.5	±0.5	±0.5	±0.5	±0.5

TABLE-4

取付トルク	0.392
取付トルク	0.392

TABLE-5

取付トルク	0.392
取付トルク	0.392

REVISIONS

REV	DESCRIPTION	ECN	DATE	OWN	APPV
B4	REVISED	ECR-14-015033	100CT14	KF	RR
B5	REVISED	ECR-16-003104	03MARI6	KF	RR
B6	REVISED	ECR-16-003774	310CT16	KF	HY

THIS DRAWING IS A CONTROLLED DOCUMENT.

OWNER: Y. KAWAHARA 19APRO1  
CHK: R. KOMIYAMA 19APRO1  
APVD: N. SAI 19APRO1

PRODUCT SPEC: 108-5674  
APPLICATION SPEC: 114-5217, -5250

WEIGHT: SEE TABLE  
FINISH: SEE TABLE

MATERIAL: HOUSING: SEE TABLE  
CONTACT: BRASS

SIZE: A1  
CAGE CODE: 00779  
DRAWING NO: 1473649

RESTRICTED TO: REV B6

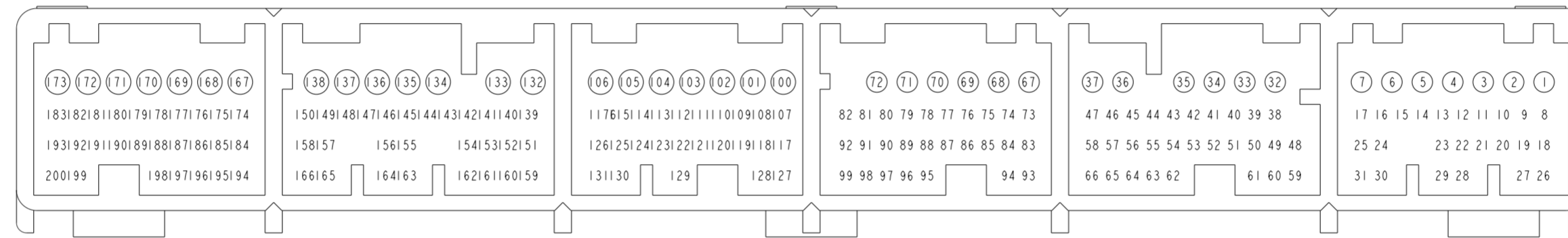
TE Connectivity

025/040 EFI ECU CONNECTOR  
200 POSITION CAP HOUSING ASSEMBLY

THIS DRAWING IS UNPUBLISHED. RELEASED FOR PUBLICATION 20  
 © COPYRIGHT 20 ALL RIGHTS RESERVED.

LOC	DIST	REVISIONS					
J	-	P	LTR	DESCRIPTION	DATE	DWN	APVD
				SEE 1 OF 3			

△ FIG 1 CIRCUIT NUMBERS      △ 70 ; パワー回路用  
 (FOR POWER CIRCUIT)



2	48.7	∅2.63	PAPER BOX ダンボール箱	PLASTIC TUBE プラスチックチューブ	SAME AS 1473649-2					1473649-9		
2	48.7	∅2.63	PLASTIC BOX 通い箱	PLASTIC TUBE プラスチックチューブ	-	SELECTIVE-TIN (MATTE)	SELECTIVE-TIN × 102 (BRIGHT)	-	18~31, 48~66, 83~99, 117~131, 151~166, 184~200	SPS GF17	NATURAL (自然色)	1473649-2
61	53.9	∅2.4	PAPER BOX ダンボール箱	PLASTIC TUBE プラスチックチューブ	-	SELECTIVE-TIN (MATTE)	SELECTIVE-TIN × 100 (BRIGHT)	132, 133	18~31, 48~66, 83~99, 117~131, 151~166, 184~200	PBT GF15	NATURAL (自然色)	1473649-7
4 △	34.1	∅2.63	PLASTIC BOX 通い箱	PLASTIC TUBE プラスチックチューブ	67~99	SELECTIVE-TIN (MATTE)	SELECTIVE-TIN × 86 (BRIGHT)	-	18~31, 48~66 117~131, 151~166, 184~200	SPS GF17	NATURAL (自然色) △	1473649-4
61	53.9	∅2.4	PLASTIC BOX 通い箱	PLASTIC TUBE プラスチックチューブ	-	SELECTIVE-TIN (MATTE)	SELECTIVE-TIN × 100 (BRIGHT)	132, 133	18~31, 48~66, 83~99, 117~131, 151~166, 184~200	PBT GF15	NATURAL (自然色)	6473649-1
△ MARKING マーキング	WEIGHT(g) 質量	V	OUTER 外装	INNER 内装	NO CONTACT CIRCUIT NO 欠番 △	SOLDERING SIDE 半田付け側	CONTACT SIDE 接触部側	040TAB	025 TAB	MATERIAL 材料	COLOR (色)	PART NUMBER (型番)
			PACKING STYLE 梱包形態		CONTACT FINISH (仕上げ)		GOLD PLATED CIRCUIT NO (金めっき回路番号)		HOUSING ハウジング			

THIS DRAWING IS A CONTROLLED DOCUMENT.

DWN Y. KAWAHARA 19APR01  
 CHK R. KOMIYAMA 19APR01  
 APVD N. SAI 19APR01

TE Connectivity

NAME 025/040 EFI ECU CONNECTOR  
 200 POSITION CAP HOUSING ASSEMBLY

PRODUCT SPEC SEE 1 OF 3  
 APPLICATION SPEC SEE 1 OF 3

SIZE A2 CAGE CODE 00779 DRAWING NO. C-1473649 RESTRICTED TO -

MATERIAL SEE 1 OF 3 FINISH SEE 1 OF 3 WEIGHT SEE 1 OF 3

CUSTOMER DRAWING SCALE 1:1 SHEET 2 OF 3 REV B6

THIS DRAWING IS UNPUBLISHED.

RELEASED FOR PUBLICATION

© COPYRIGHT 19

ALL RIGHTS RESERVED.

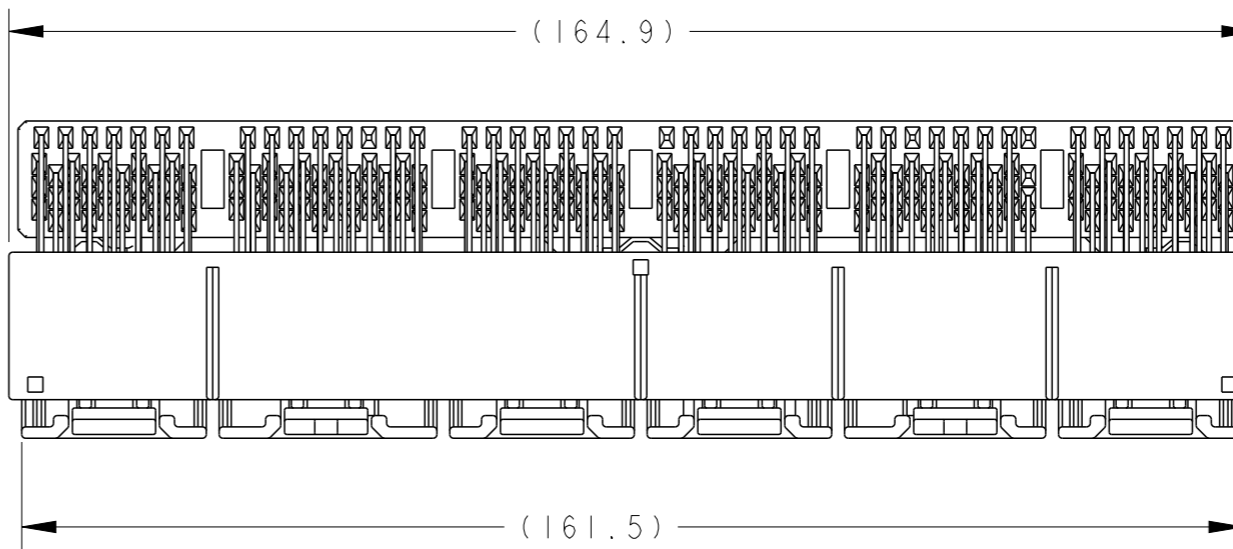
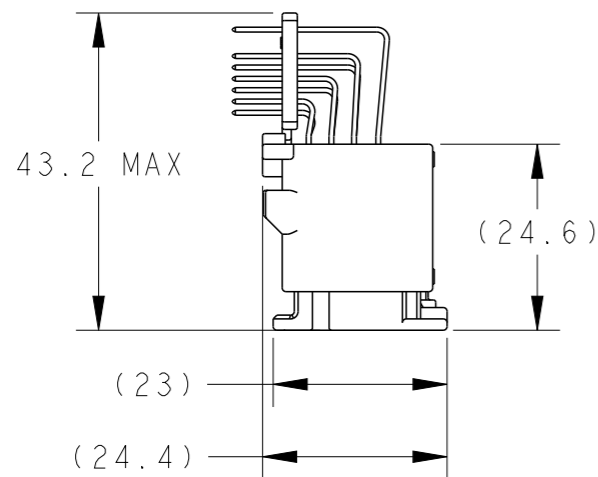
LOC  
J

DIST


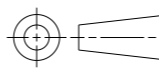
REVISIONS

変更

P	LTR	DESCRIPTION	ECN	DATE	DWN	APVD
		SEE SHEET 1 OF 3				



CAP ASSEMBLY & PLUG ASSEMBLY ENGAGEMENT DRAWING  
 キャップアッセンブリ & プラグアッセンブリ 嵌合図

THIS DRAWING IS A CONTROLLED DOCUMENT.		DWN Y. KAWAHARA 19APR01	 TE Connectivity	
DIMENSIONS: 単位: 概 mm		CHK R. KOMIYAMA 19APR01		
		APVD N. SAI 19APR01	NAME 名称 025/040 EFI ECU CONNECTOR 200 POSITION CAP HOUSING ASSEMBLY	
TOLERANCES UNLESS OTHERWISE SPECIFIED: 一般公差 = ± 0.3		PRODUCT SPEC SEE 1 OF 3	RESTRICTED TO	
MATERIAL 材料 SEE 1 OF 3		APPLICATION SPEC 取付適用規格 SEE 1 OF 3	SIZE A3	CAGE CODE 00779
FINISH 仕上 SEE 1 OF 3		WEIGHT SEE 1 OF 3	DRAWING NO 番号 C-1473649	REV B6
		CUSTOMER DRAWING	SCALE 尺度 1:1	SHEET 3 OF 3