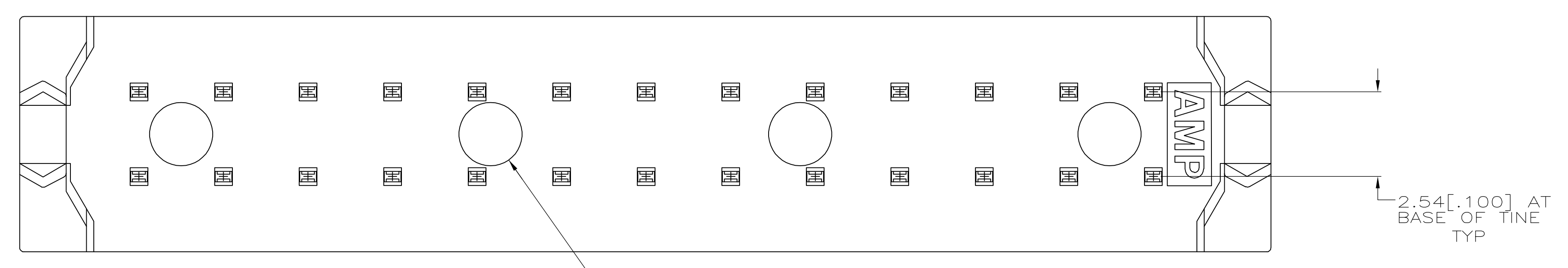
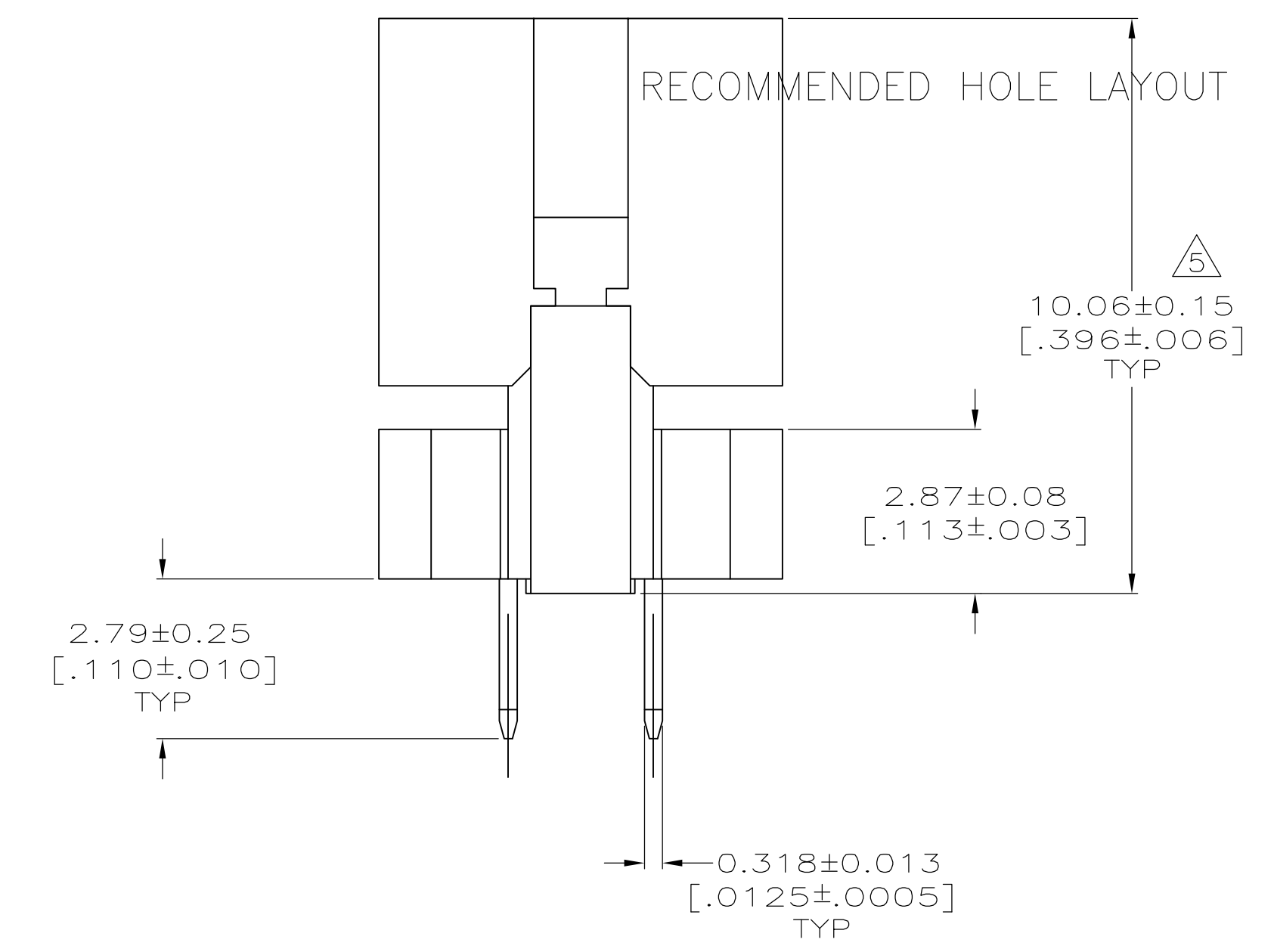
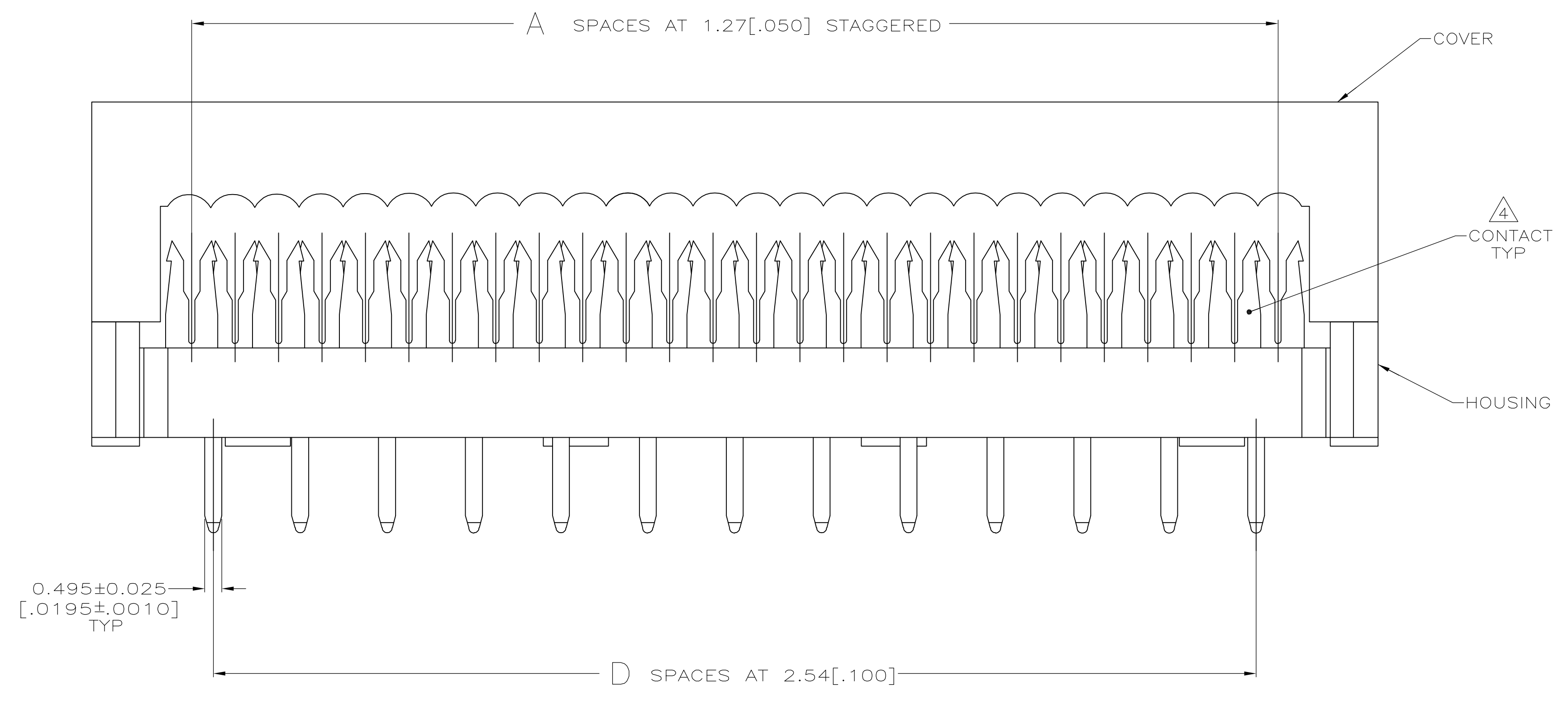
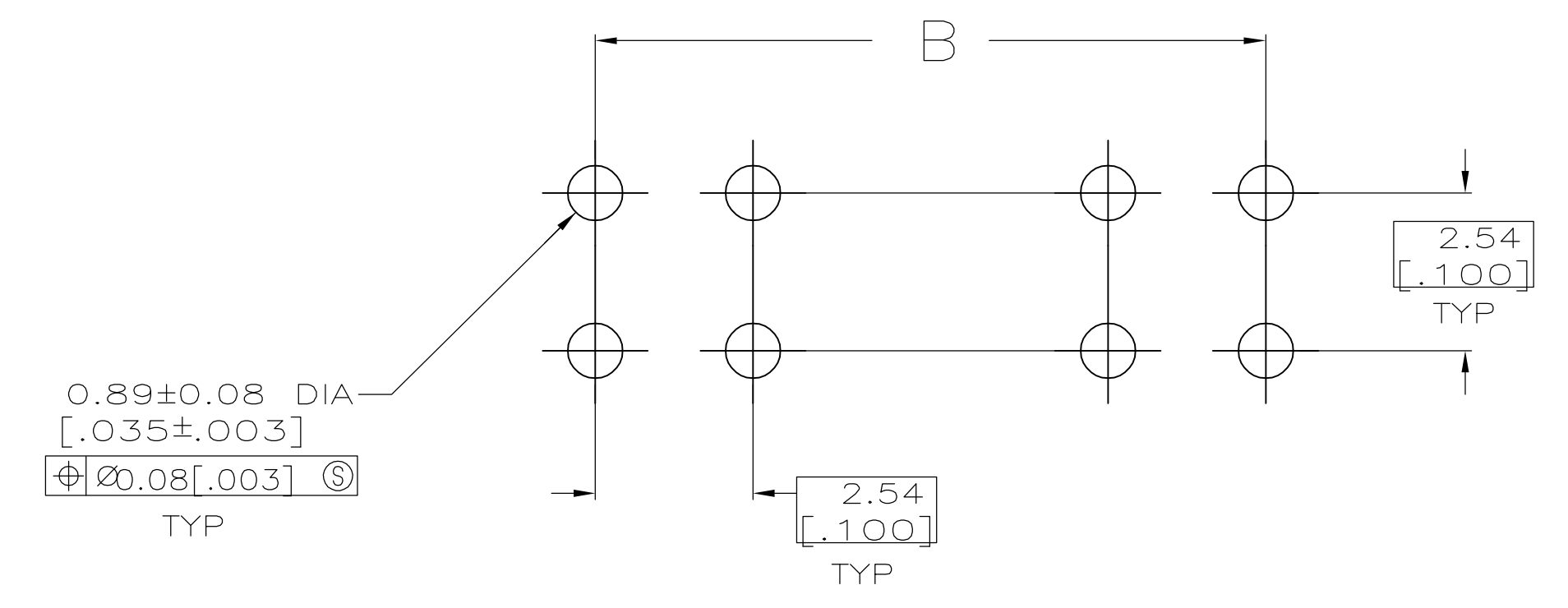
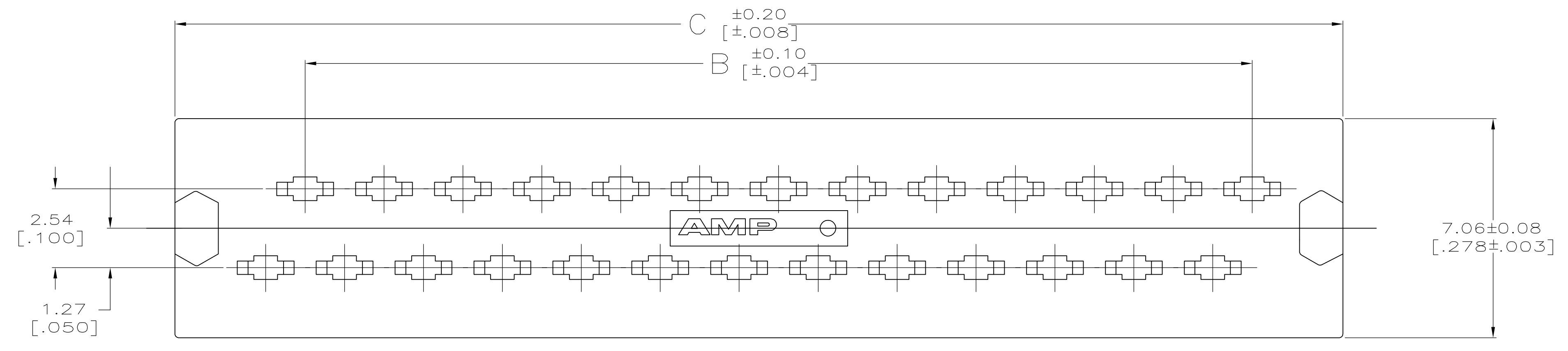


- △ POLYESTER, BLACK, UL 94V-0 RATED.
- △ PHOSPHOR BRONZE PER QQ-B-750.
- △ 2.54μm[.000100] MIN TIN OR TIN-LEAD OVER 1.27μm[.000050] MIN NICKEL.
- △ CONTACTS WILL ACCEPT 28 AWG STRANDED OR 26, 28, 30 AWG SOLID WIRE.
- △ HEIGHT AFTER TERMINATION IS 6.43[.253].



	NO OF STANDOFFS	D	C	B	A	NO OF POSN	PART NUMBER
OBSOLETE	9	29	80.77[3.180]	73.66[2.900]	59	60	1-111770-1
	8	24	68.07[2.680]	60.96[2.400]	49	50	1-111770-0
OBSOLETE	7	19	55.37[2.180]	48.26[1.900]	39	40	111770-9
OBSOLETE	6	16	47.75[1.880]	40.64[1.600]	33	34	111770-8
OBSOLETE	4	12	37.59[1.480]	30.48[1.200]	25	26	111770-6
	4	11	35.05[1.380]	27.94[1.100]	23	24	111770-5
OBSOLETE	4	9	29.97[1.180]	22.86[.900]	19	20	111770-4
OBSOLETE	2	4	17.27[.680]	10.16[.400]	9	10	111770-1

STANDOFF SEE TABLE

THIS DRAWING IS A CONTROLLED DOCUMENT.

DIMENSIONS: mm [INCHES]	TOLERANCES UNLESS OTHERWISE SPECIFIED:	0 PL ± -	1 PL ± -	2 PL ± 0.13 [.005]	3 PL ± -	4 PL ± -	ANGLES ± -	FINISH
MATERIAL		FINISH		WEIGHT		SIZE		CAGE CODE
CUSTOMER DRAWING		SCALE 10:1		SHEET 1 OF 1		REV F1		RESTRICTED TO

DWG: W. LENKER 12/09/92  
 CHK: R. STONE 12-16-92  
 APVD: -  
 PRODUCT SPEC: 108-40013  
 APPLICATION SPEC: 114-40005  
 Tyco Electronics Corporation, Harrisburg, PA 17105-3608  
 PLUG ASSEMBLY, DIP, AMP-LATCH  
 A1 00779 ©=111770