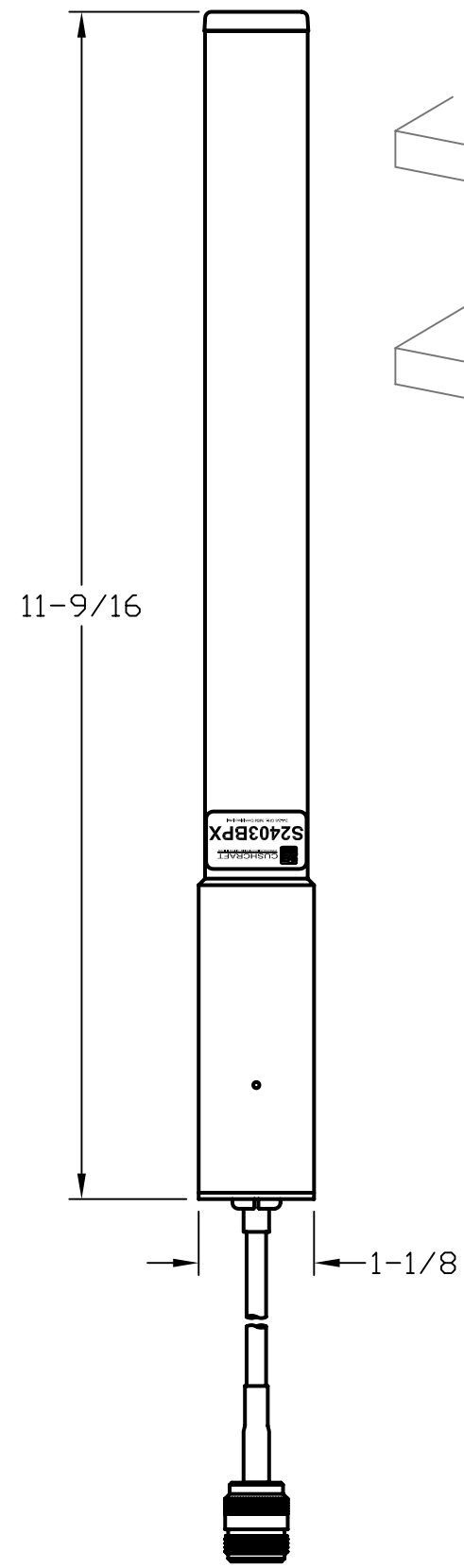
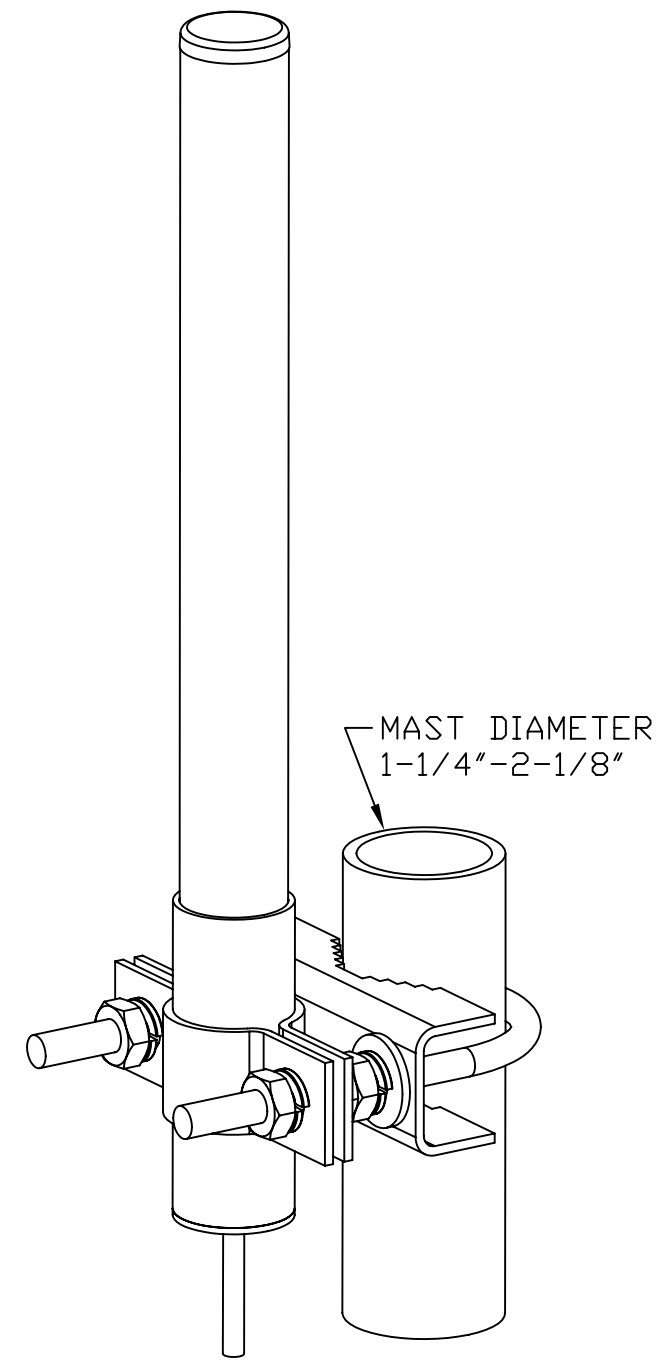
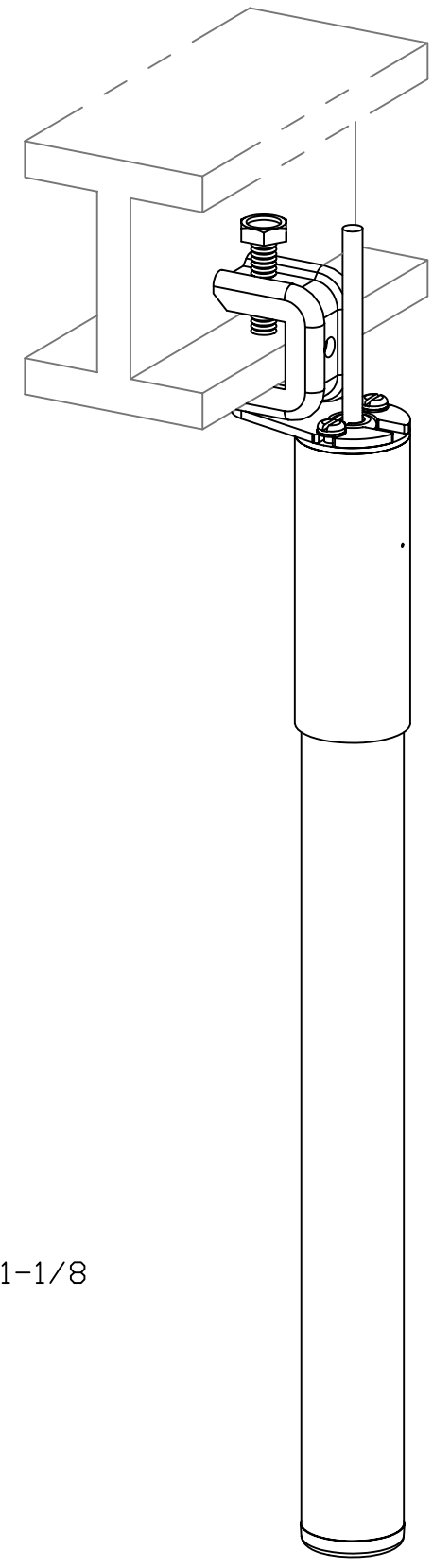


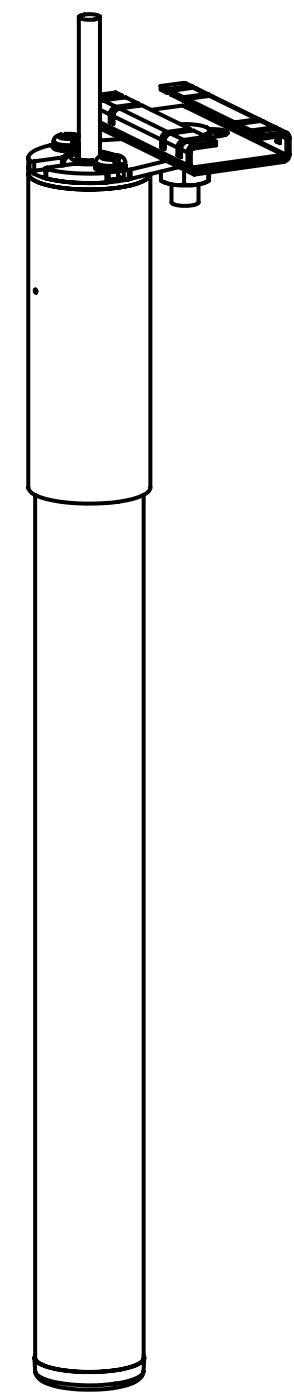
REVISION			
LTR	DESCRIPTION	DATE	INITIAL
AA	ORIGINAL	9-17-02	SWJ
AB	ADDED (2) 5/16 SS FW (ECR#1233)	10-30-03	AMA
AC	ADDED I-BEAM CLAMP & HARDWARE (ECR#1475)	1-29-04	AMA



I-BEAM CLAMP
CONFIGURATION
(INDOOR ONLY)



MAST MOUNT
CONFIGURATION



CEILING MOUNT
CONFIGURATION
(INDOOR ONLY)

Parameter	Performance
Model Number	S2403BPX12NF
Frequency	2400-2500 MHz
Gain	3 dBd
Polarization	Linear Vertical
VSWR	1.5:1
Elevation Plane 3 dB Beamwidth	31 Degrees
Azimuth Plane 3 dB Beamwidth	Omnidirectional
Pigtail	12" CMP Plenum Cable
RF Connector	N Female
Power	50 Watts
Weight (Antenna)	0.3 lb

MATERIAL:	DRAWN S JOHNSON	DATE 9-17-02
DO NOT SCALE DRAWING	ENGINEER R LITTLEFIELD	DATE 9-23-02
UNLESS OTHERWISE SPECIFIED TOLERANCES ARE:	ENGINEERING MGR A ALEVY	DATE 9-23-02
ANGLES ± 0.5°	FINISH:	
FRACTIONS ± 1/64"		
.XX ± 0.010"		
.XXX ± 0.005"		

TE
connectivity

S2403BPX12NF

DRAWING NO. S2403BPX12NFM0	REV AC
SCALE 1:2	SIZE B
SHEET 1 OF 1	