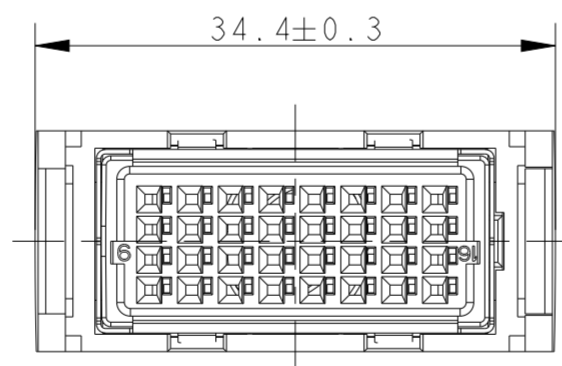
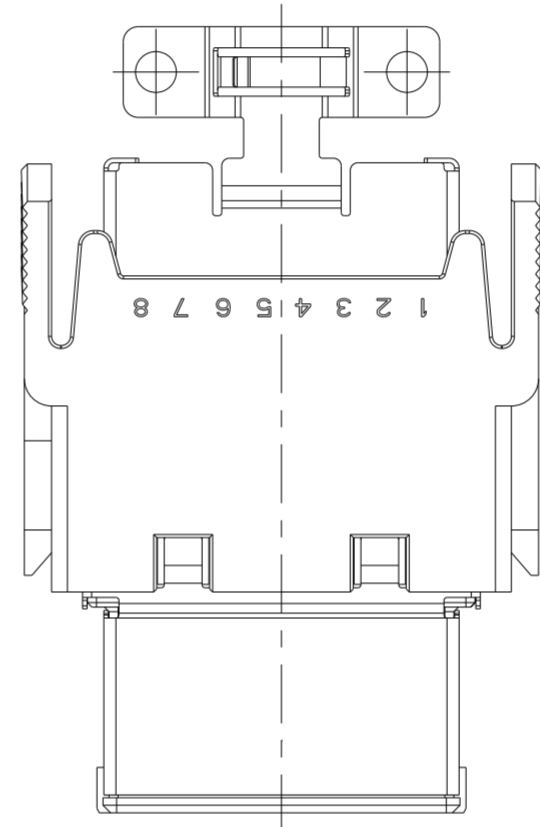
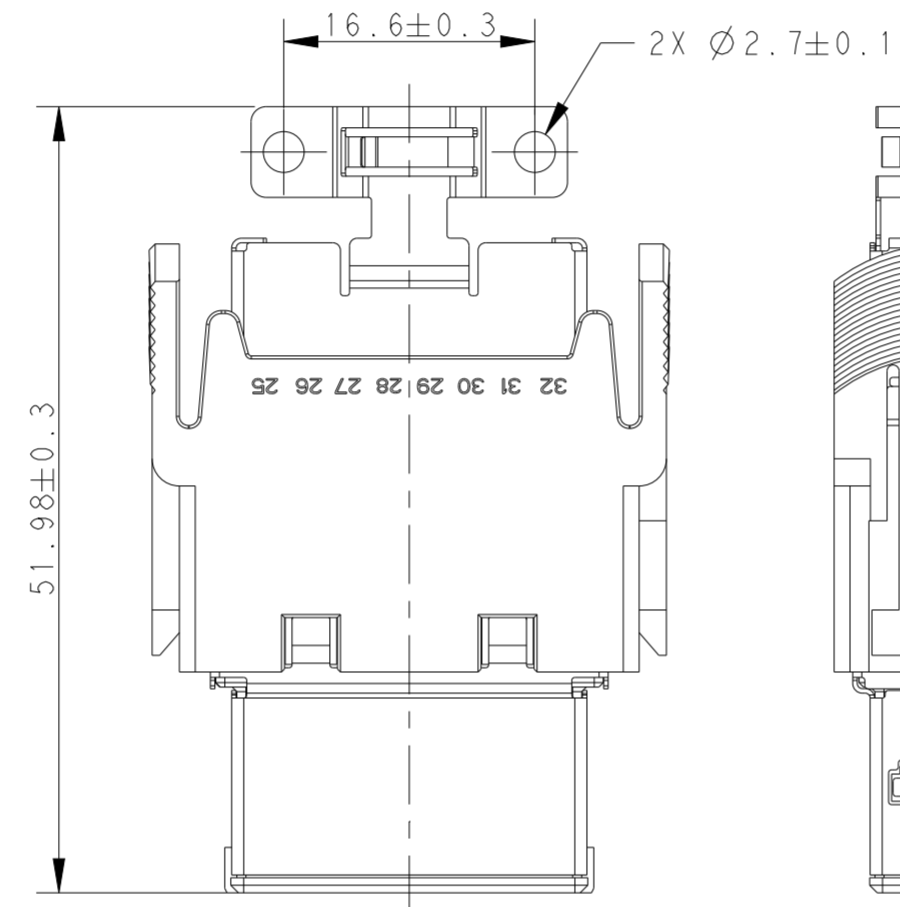
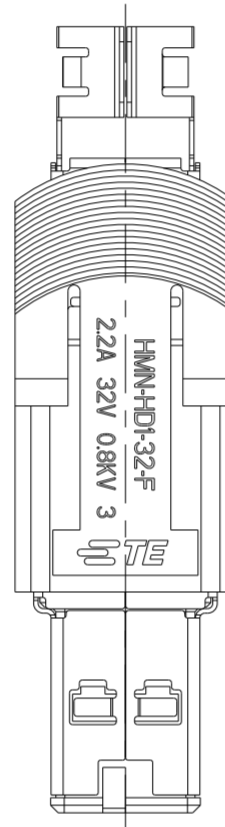
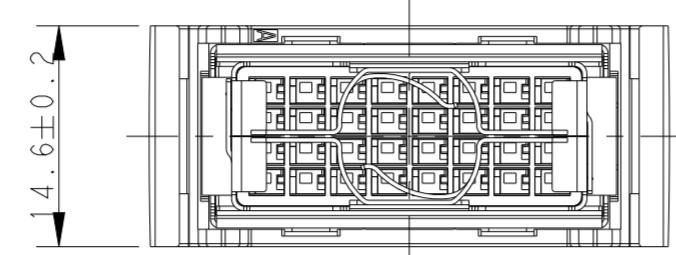
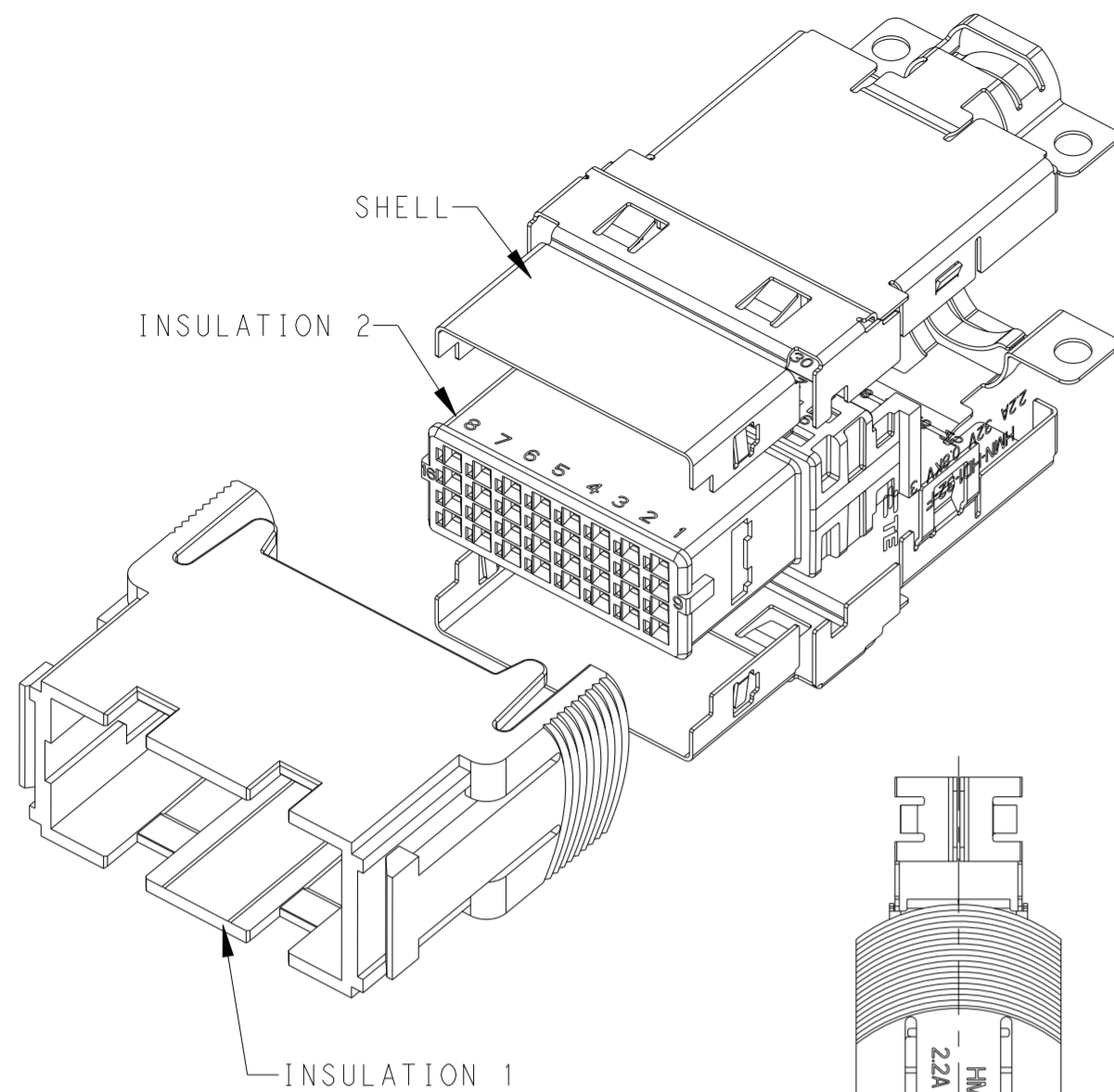


P	LTR	DESCRIPTION	DATE	DWN	APVD
A		INITIAL RELEASE	14AUG2020	DW	CW
A1		ECR-20-013971	25MAR2021	DW	CW
B		ECR-21-111798	07OCT2021	WOR	CW



NOTES:  
 1. TECHNICAL CHARACTERISTICS:  
 INSULATION 1 MATERIAL: PC,GREY  
 INSULATION 2 MATERIAL: PBT,NATURAL  
 SHELL MATERIAL: COPPER  
 RATED VOLTAGE: 32 V  
 RATED CURRENT: 2.2 A  
 INSULATION RESISTANCE: >=100MΩ  
 RATED IMPULSE VOLTAGE: 0.8 KV  
 POLLUTION DEGREE: 3  
 FLAMMABILITY: UL94V-0  
 MATING CYCLES: SEE TABLE 1  
 TEMPERATURE RANGE: -40°C~+125°C  
 WIRE RANGE: SEE TABLE 1  
 CONTACT TYPE: CRIMP CONTACT  
 2. CONTACT NEED TO BE ORDERED SEPARATELY.  
 (ORDER No. REFER TO DRAWING : SEE TABLE 1)

注释:  
 1. 技术参数:  
 绝缘1材料: PC,灰色  
 绝缘2材料: PBT,本色  
 壳体材料: 铜合金  
 额定电压: 32 V  
 额定电流: 2.2 A  
 绝缘电阻: >=100MΩ  
 额定脉冲电压: 0.8 KV  
 污染等级: 3  
 阻燃等级: UL94V-0  
 插拔次数: 见表格1  
 温度范围: -40°C~+125°C  
 接线范围: 见表格1  
 接线类型: 冷压接  
 端子需要单独订购.  
 (订货号参考图面: 见表格1)

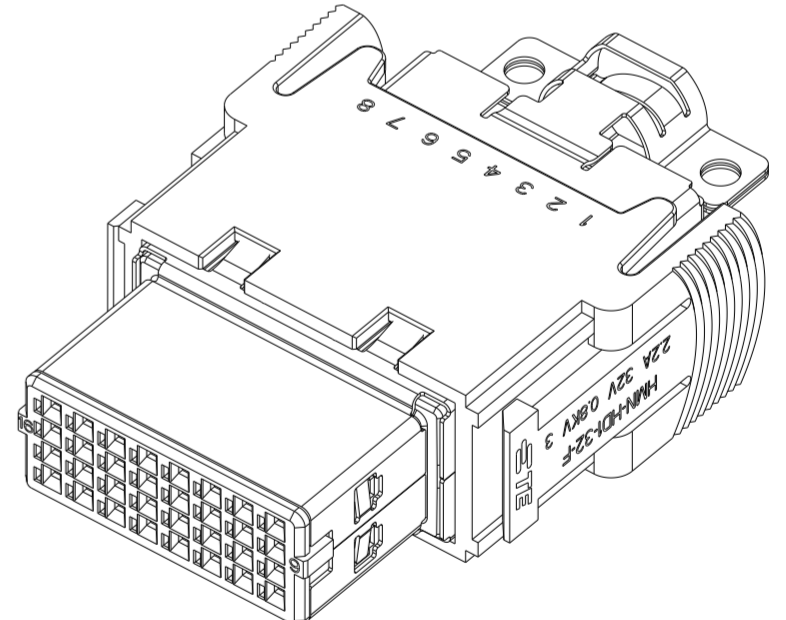


TABLE 1  
表格 1

SIGNAL (32 POS) 信号 (32 POS)	1.08-1.6	AWG28-22, 0.08-0.3750mm	M	2316670-2	2316671-2	HDI RECEPTACLE CONTACT	500
	0.6-1.2	AWG30-28, 0.05-0.1050mm <td>S</td> <td>2316670-1</td> <td>2316671-1</td> <td></td> <td></td>	S	2316670-1	2316671-1		
HYBRID TYPE 混合类型	INSULATION RANGE (mm) 电缆绝缘外径范围 (mm)	WIRE RANGE 线规	SIZE 大小	REEL 卷	L/P 散件	DESCRIPTION 端子类型描述	MATING CYCLES 插拔次数
				PART NUMBER			

T2111322201-000		HMN-HD1-32-F		HMN-HD1-32-F FEMALE INSERT,8.45 HMN-HD1-32-F 母插,8.45	
PART NUMBER 料号		PART DESCRIPTION 描述			
THIS DRAWING IS A CONTROLLED DOCUMENT.		DWN DAVID WANG 06MAY2020 CHK GINO YAO 06MAY2020 APVD CHRIS WANG 06MAY2020		NAME HMN-HD1-32-F	
DIMENSIONS: mm		TOLERANCES UNLESS OTHERWISE SPECIFIED: 0 PLC ± 1 PLC ± 2 PLC ± 3 PLC ± 4 PLC ± ANGLES ±		PRODUCT SPEC 108-137507 APPLICATION SPEC 114-137507	
MATERIAL -		FINISH -		WEIGHT -	
		CUSTOMER DRAWING		SCALE 2:1 SHEET 1 OF 1 REV B	